



US00D654871S

(12) **United States Design Patent**
Parsadayan et al.

(10) **Patent No.:** **US D654,871 S**
(45) **Date of Patent:** **** Feb. 28, 2012**

(54) **MOTOR LOCKING MODULE FOR A GATE OPERATOR**

(75) Inventors: **Alex Parsadayan**, Monarch Beach, CA (US); **Wayne C. Hom**, Coto De Caza, CA (US)

(73) Assignee: **Maximum Controls, L.L.C.**, Rancho Santa Margarita, CA (US)

(**) Term: **14 Years**

(21) Appl. No.: **29/374,033**

(22) Filed: **Jun. 24, 2011**

(51) **LOC (9) Cl.** **13-01**

(52) **U.S. Cl.** **D13/112**

(58) **Field of Classification Search** D13/112, D13/113, 114, 122, 184, 199; D15/3, 5, D15/199; 74/606 R, 609; 310/10, 40 R, 310/42, 51, 58, 71, 80, 83, 85, 89, 91, 109, 310/236, 239, 254; 318/245, 255, 657, 665, 318/671, 687

See application file for complete search history.

(56) **References Cited**

U.S. PATENT DOCUMENTS

D244,204 S * 5/1977 Briggs et al. D13/112
D258,056 S * 1/1981 McKinnon et al. D13/112

D348,075 S * 6/1994 Meyer D15/199
6,118,197 A * 9/2000 Bohlen 310/89
D467,950 S * 12/2002 Christensen et al. D15/199
D516,506 S * 3/2006 Ichimaru et al. D13/112
D525,195 S * 7/2006 Palese D13/112
D552,031 S * 10/2007 Kono et al. D13/112
D557,210 S * 12/2007 Liu D13/112
D573,091 S * 7/2008 Shih et al. D13/112
D601,958 S * 10/2009 Huan et al. D13/112

* cited by examiner

Primary Examiner — Derrick Holland

(74) *Attorney, Agent, or Firm* — Leonard Tachner

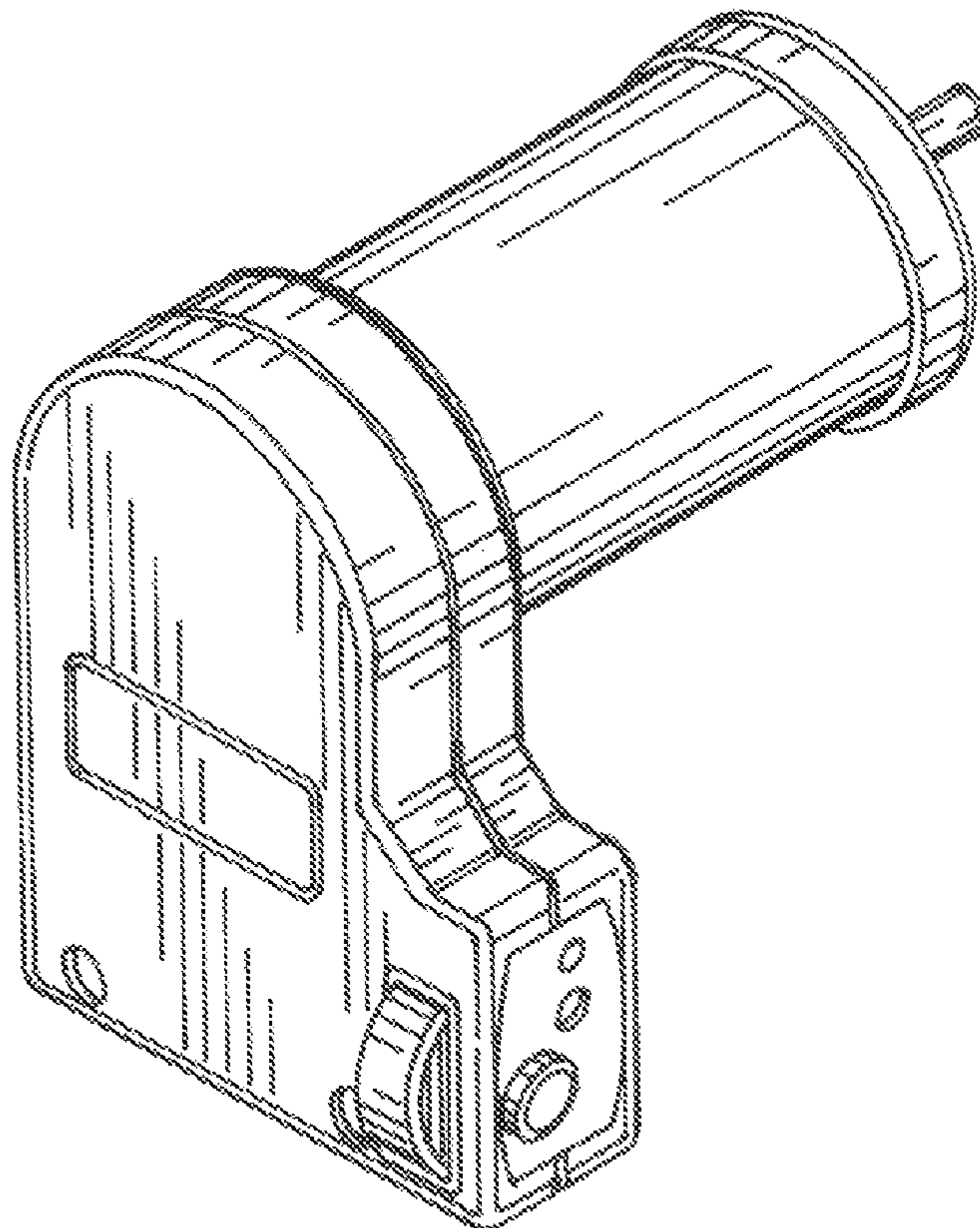
(57) **CLAIM**

The ornamental design for a motor locking module for a gate operator, as shown and described.

DESCRIPTION

FIG. 1 is a perspective view of a motor locking module for a gate operator showing our new design;
FIG. 2 is a front view thereof;
FIG. 3 is a left side elevation view thereof;
FIG. 4 is a right side elevation view thereof;
FIG. 5 is a top plan view thereof;
FIG. 6 is a bottom plan view thereof; and,
FIG. 7 is a rear view thereof.

1 Claim, 3 Drawing Sheets



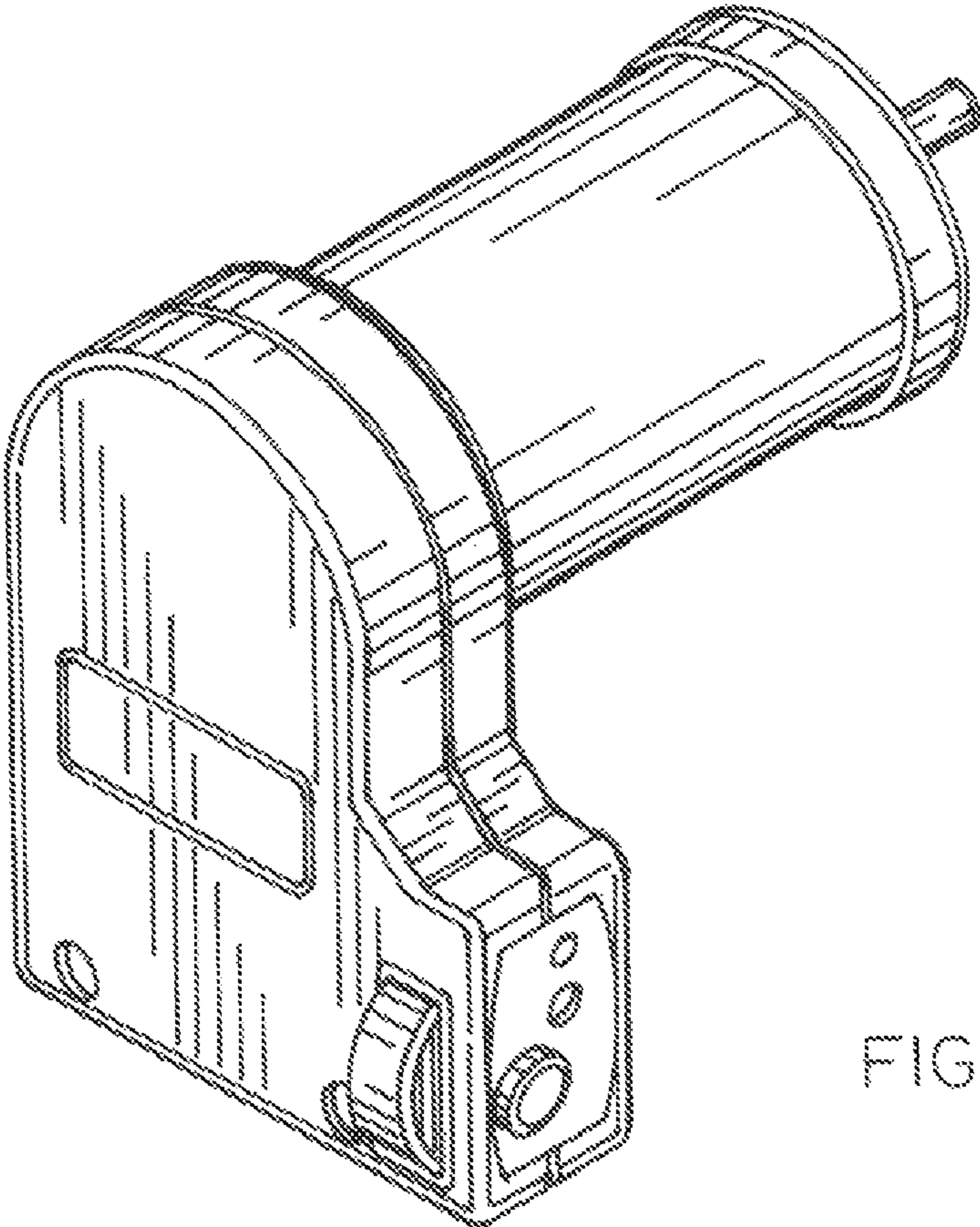


FIG. 1

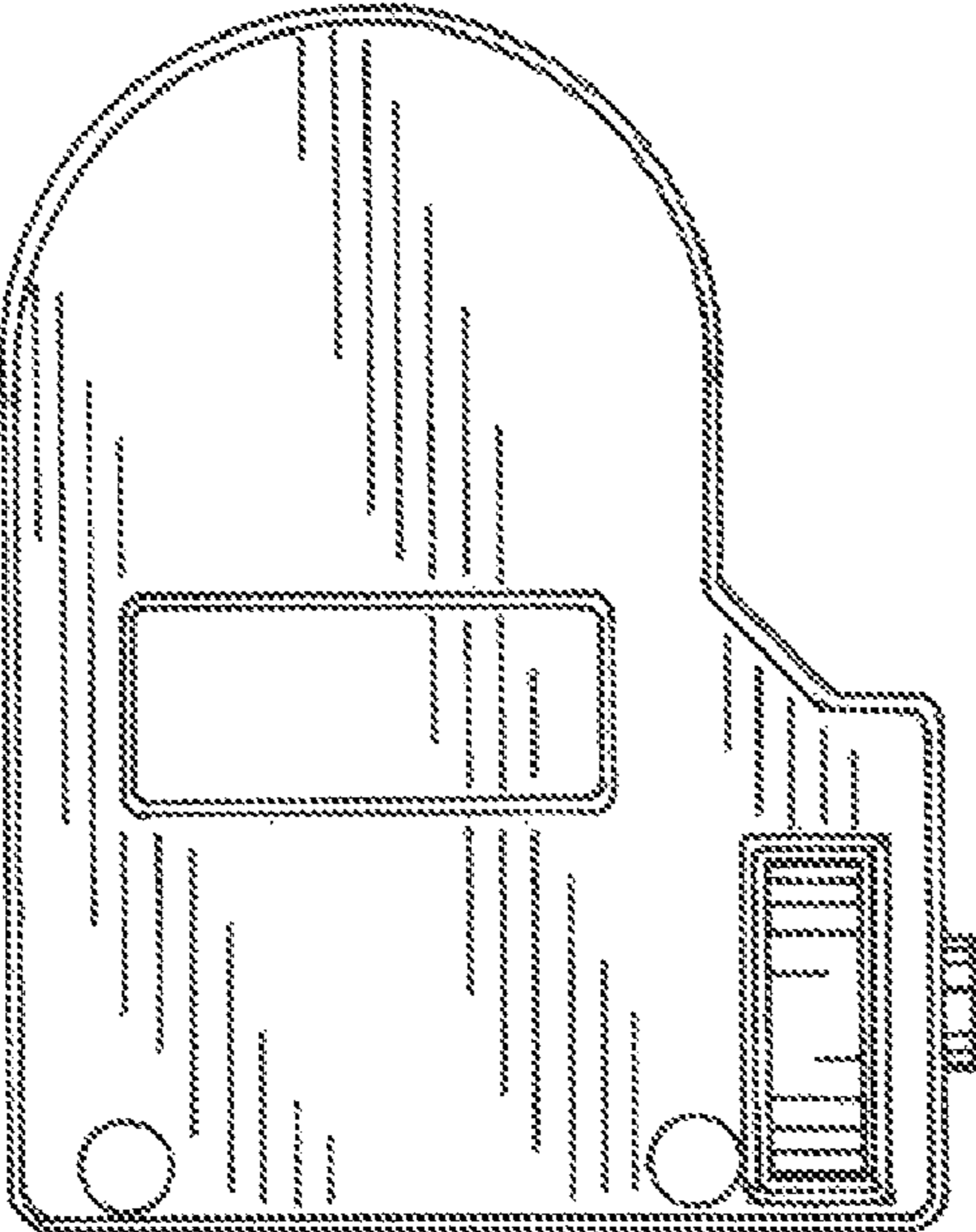


FIG. 2

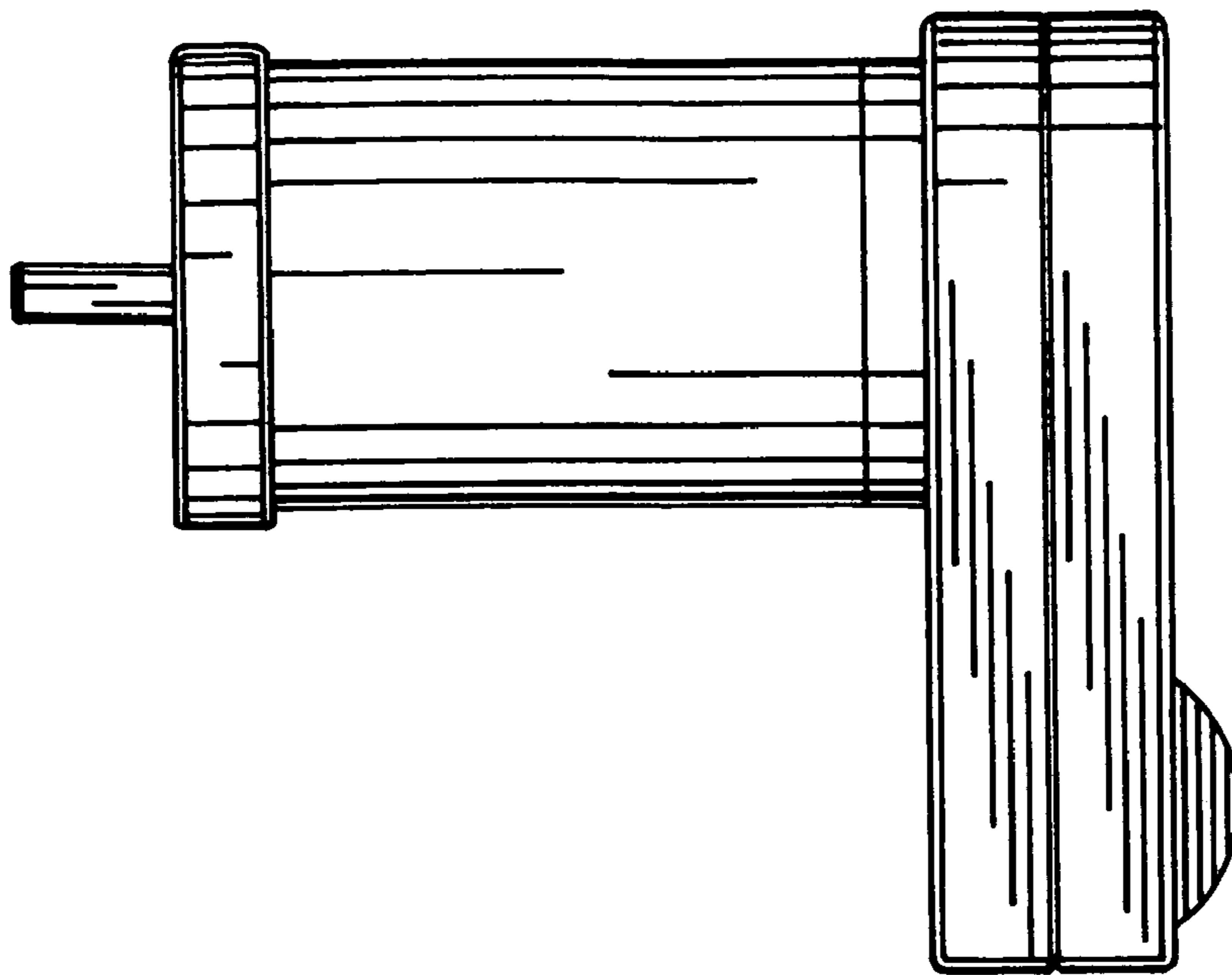


FIG. 3

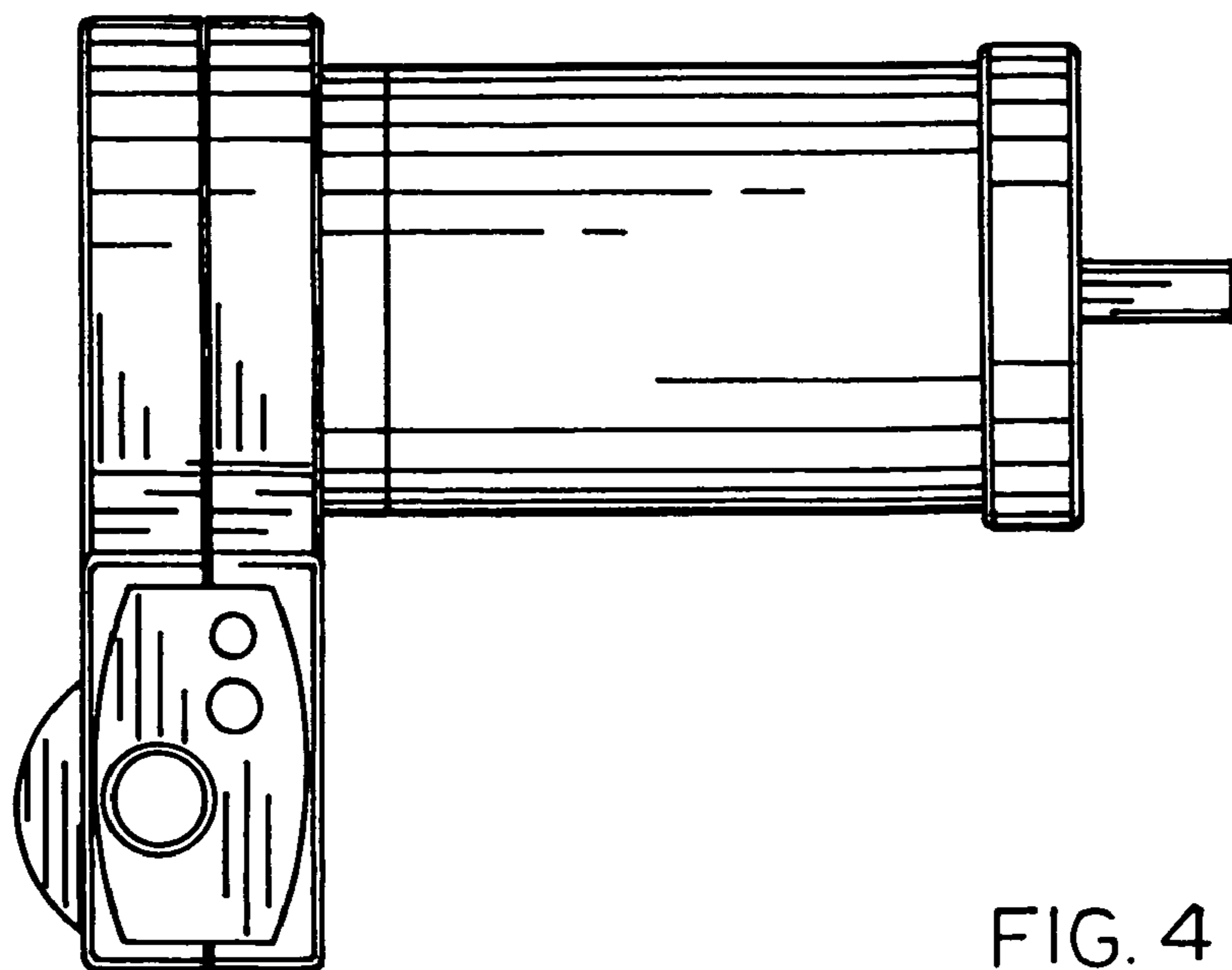


FIG. 4

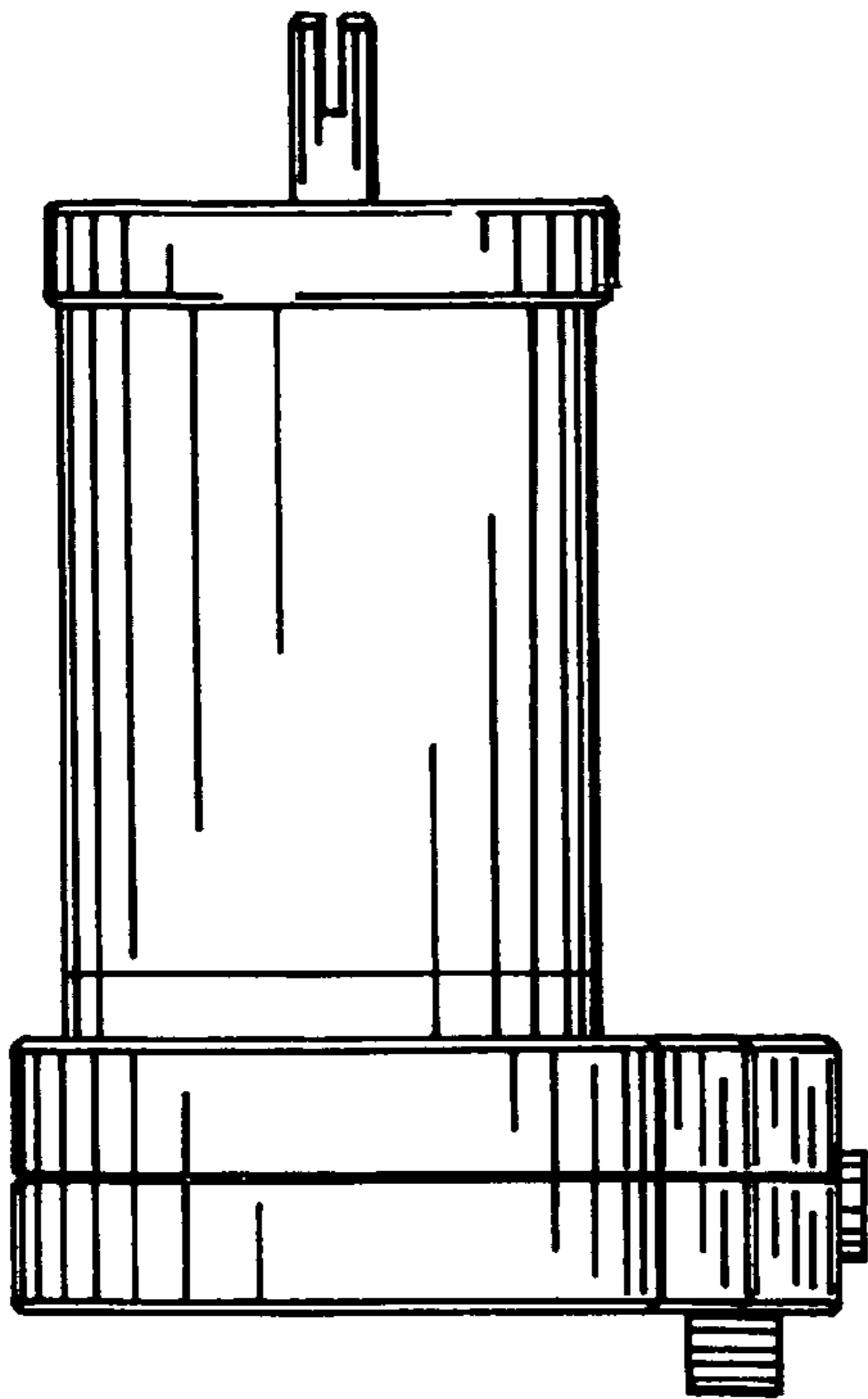


FIG. 5

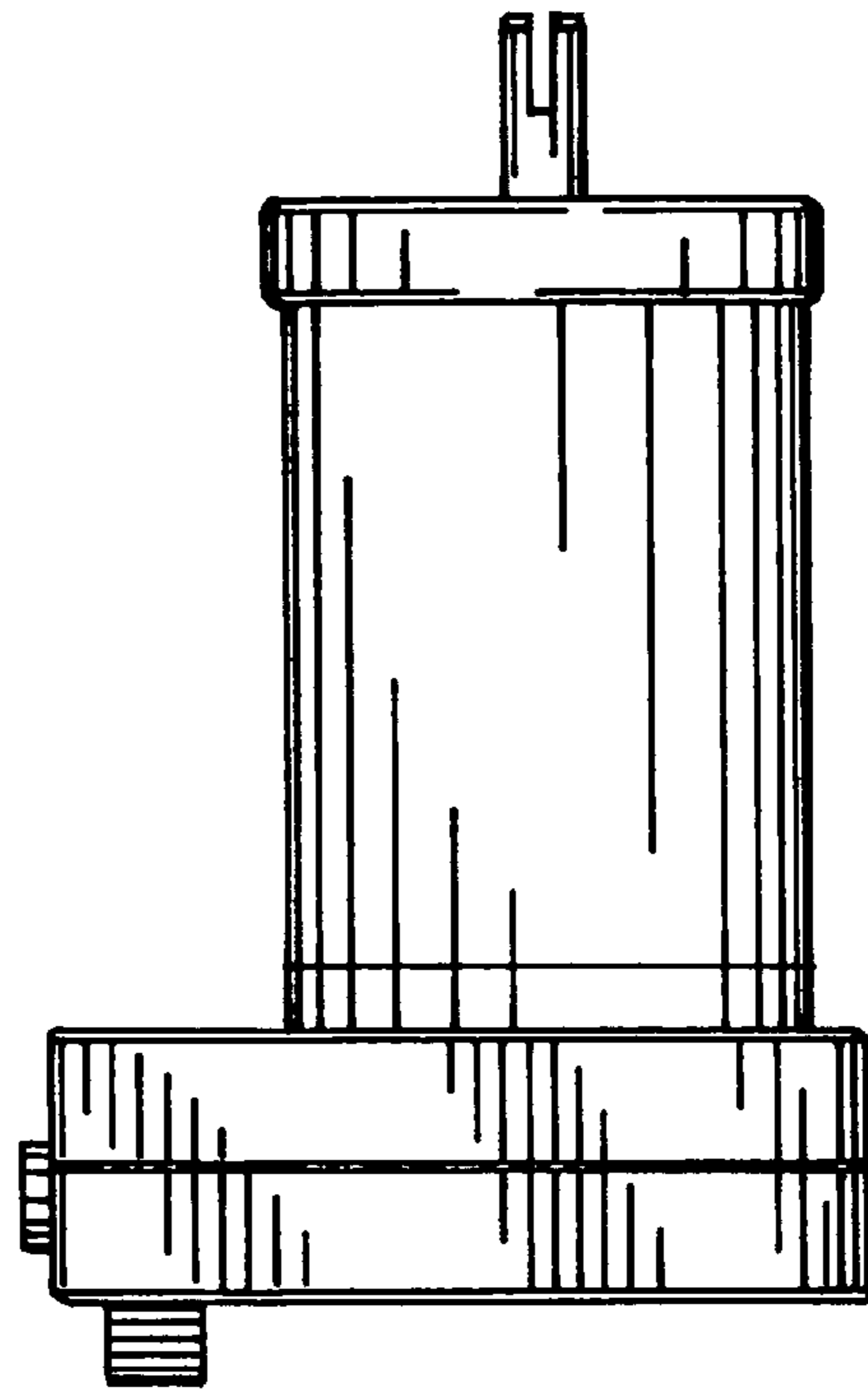


FIG. 6

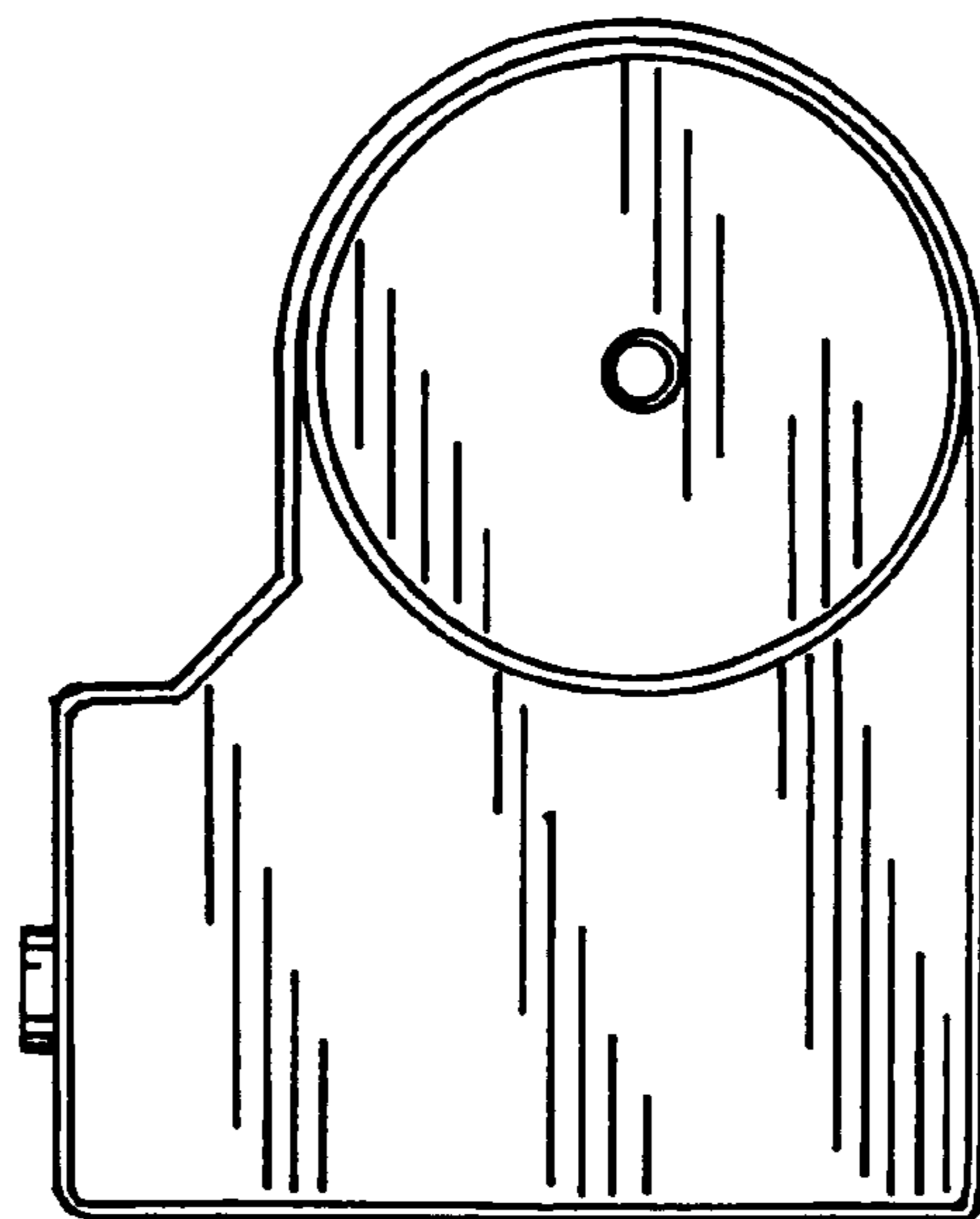


FIG. 7