



US00D654869S

(12) **United States Design Patent**
Konz

(10) **Patent No.:** **US D654,869 S**

(45) **Date of Patent:** **** Feb. 28, 2012**

(54) **ELECTRONIC COMPONENT**

(75) **Inventor:** **Oliver Konz**, Ilshofen (DE)

(73) **Assignee:** **Wuerth Elektronik eiSos GmbH & Co. KG**, Waldenburg (DE)

(**) **Term:** **14 Years**

(21) **Appl. No.:** **29/390,194**

(22) **Filed:** **Apr. 21, 2011**

(30) **Foreign Application Priority Data**

Oct. 26, 2010 (EM) 001241574-0002

(51) **LOC (9) Cl.** **13-02**

(52) **U.S. Cl.** **D13/110**

(58) **Field of Classification Search** D13/110,
D13/101, 118, 133, 146, 156, 157, 184, 199;
D8/396; 174/19, 36, 58, 60, 92, 257, 258,
174/377; 307/151; 361/679, 707, 728; 363/39
See application file for complete search history.

(56) **References Cited**

U.S. PATENT DOCUMENTS

3,838,213	A *	9/1974	Georgopoulos et al.	178/46
4,970,476	A	11/1990	Kitagawa		
4,972,167	A	11/1990	Fujioka		
D314,186	S *	1/1991	Fujioka	D13/199
4,983,932	A	1/1991	Kitagawa		
D317,909	S *	7/1991	Fujioka	D13/199
D319,217	S *	8/1991	Fujioka	D13/199
5,506,909	A	4/1996	Perng		

5,736,672	A	4/1998	Huang		
5,942,964	A	8/1999	Takeuchi		
6,072,125	A *	6/2000	Takeuchi	174/92
6,078,241	A	6/2000	Watanabe et al.		
6,262,361	B1	7/2001	Konz		
6,335,672	B1	1/2002	Tumlin et al.		
6,400,248	B1	6/2002	Konz		
6,437,678	B1	8/2002	Konz		
7,044,761	B2	5/2006	Sokol et al.		
D528,980	S *	9/2006	Kobayashi et al.	D13/110
D532,748	S *	11/2006	Disbennett et al.	D13/110
7,211,724	B2 *	5/2007	Kobayashi et al.	174/36
7,443,275	B2	10/2008	Konz		
2010/0170712	A1	7/2010	Konz		

* cited by examiner

Primary Examiner — Derrick Holland

(74) *Attorney, Agent, or Firm* — Boyle Fredrickson, S.C.

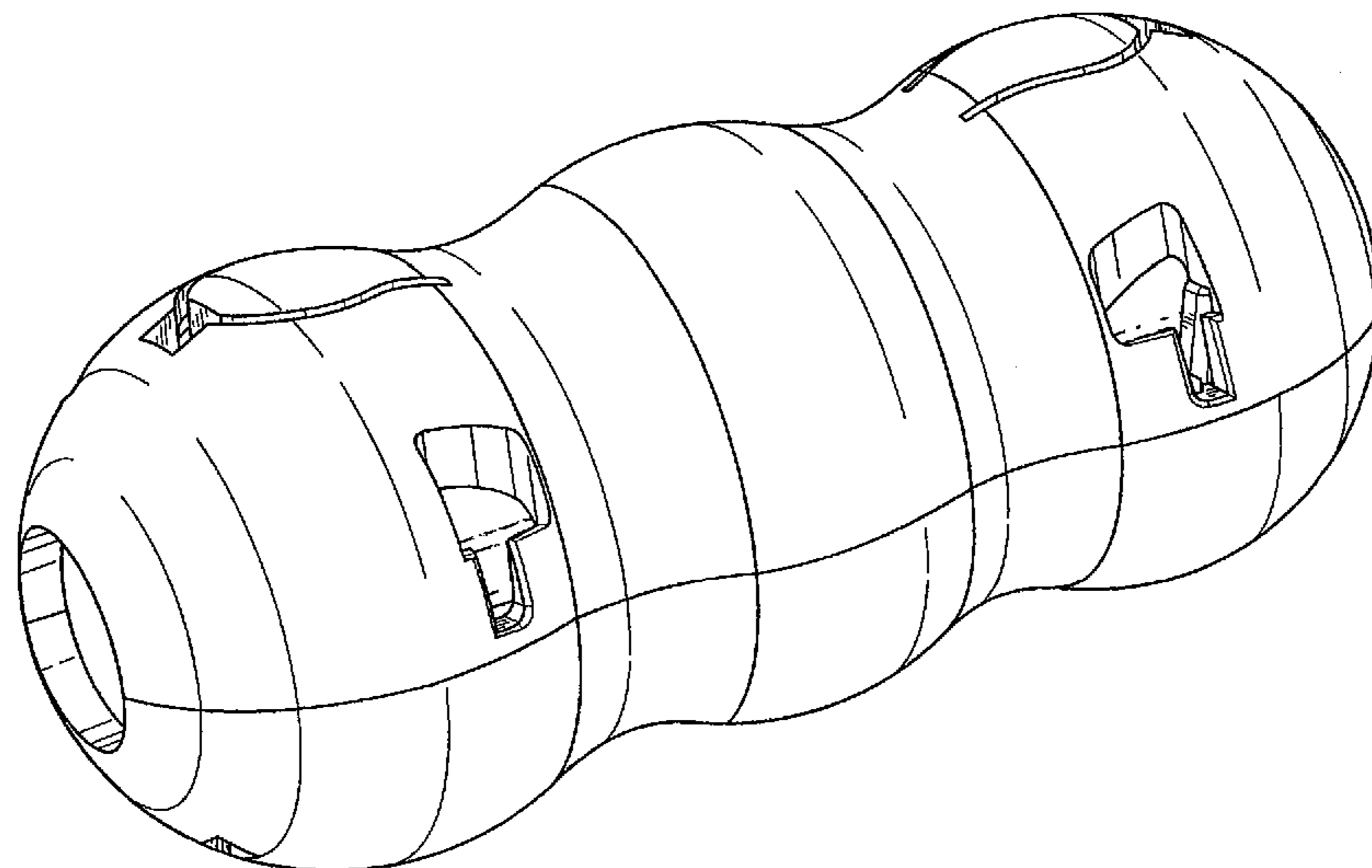
(57) **CLAIM**

The ornamental design for an electronic component, as shown and described.

DESCRIPTION

FIG. 1 is a top plan view of the electronic component;
FIG. 2 is a front elevation view thereof;
FIG. 3 is a rear elevation view thereof;
FIG. 4 is a bottom plan view thereof;
FIG. 5 is a side elevation view thereof (the opposite side being a mirror image);
FIG. 6 is a (front) side perspective view thereof; and,
FIG. 7 is a (rear) side perspective view thereof.
The broken lines shown represent unclaimed subject matter and form no part of the claimed design.

1 Claim, 7 Drawing Sheets



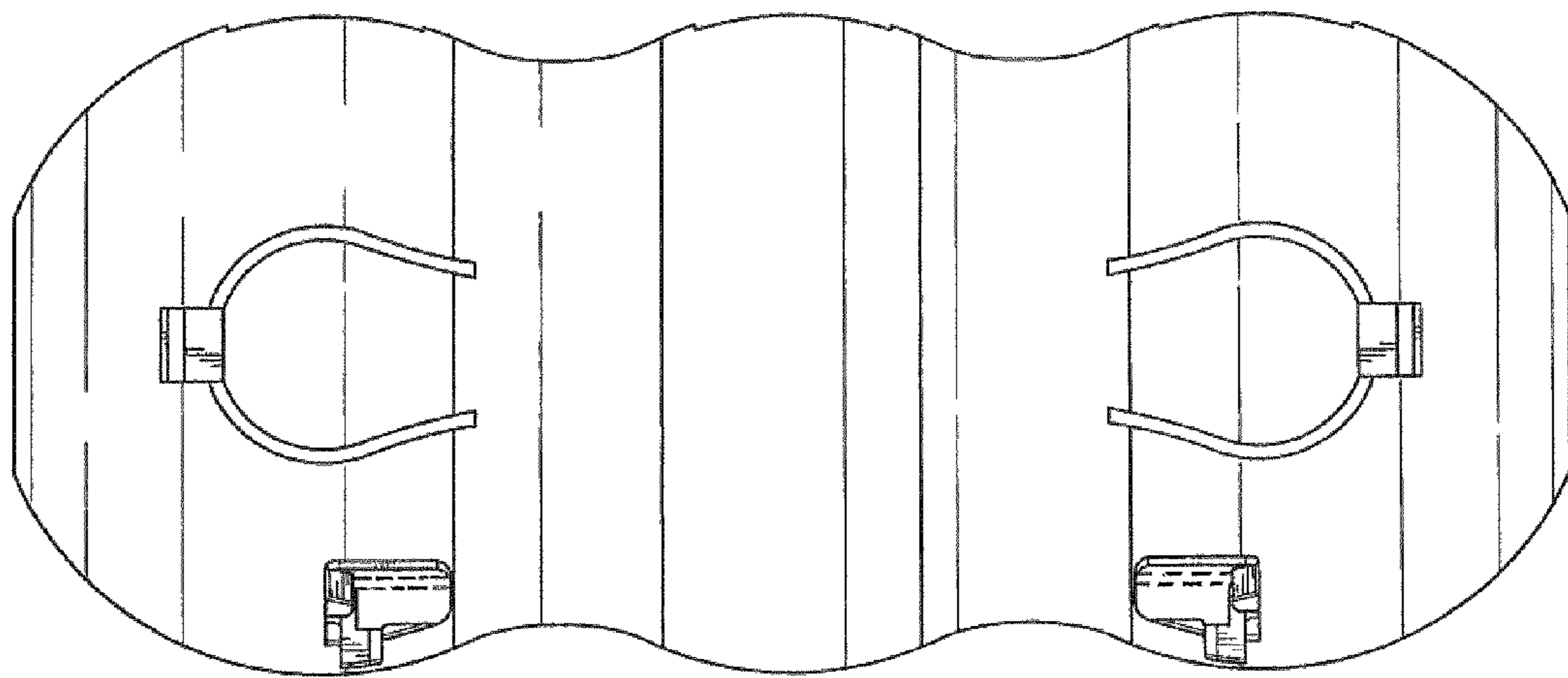


FIG. 1

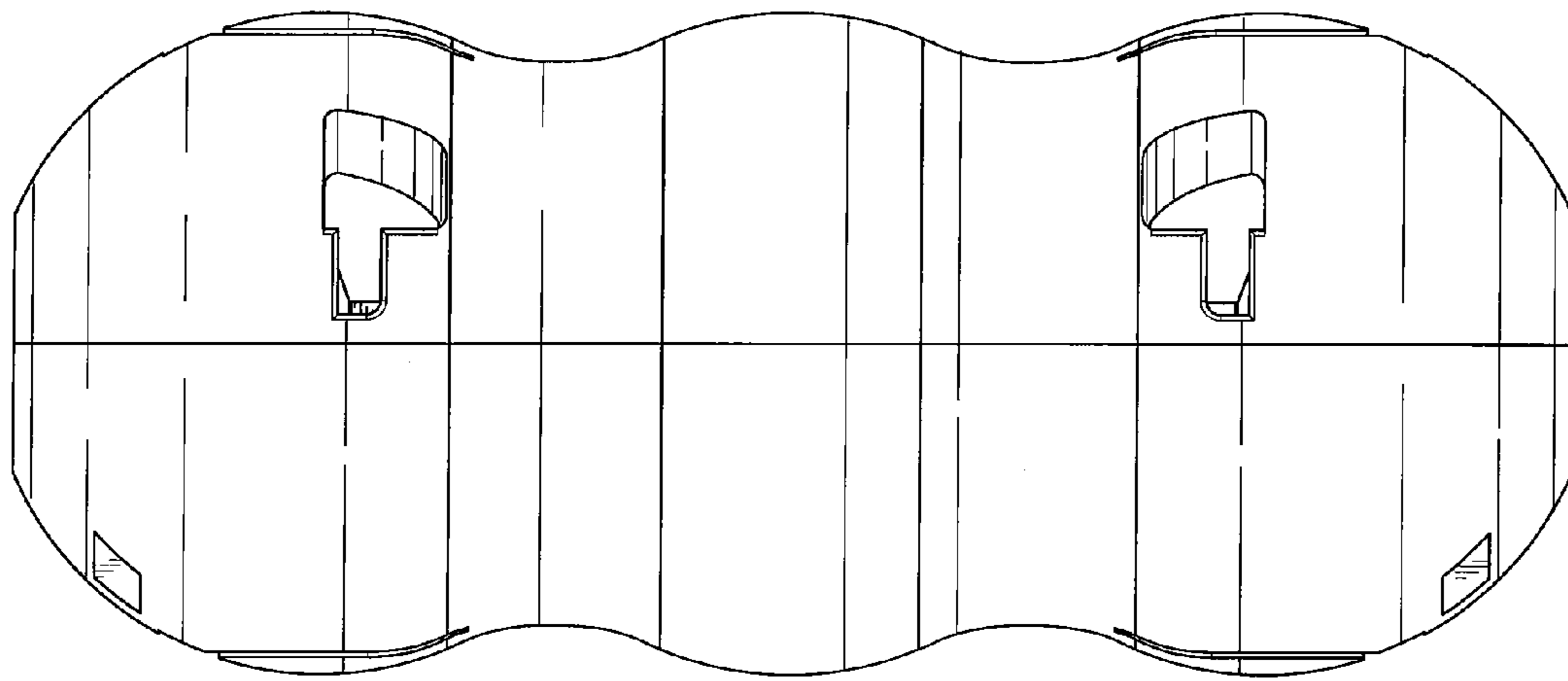


FIG. 2

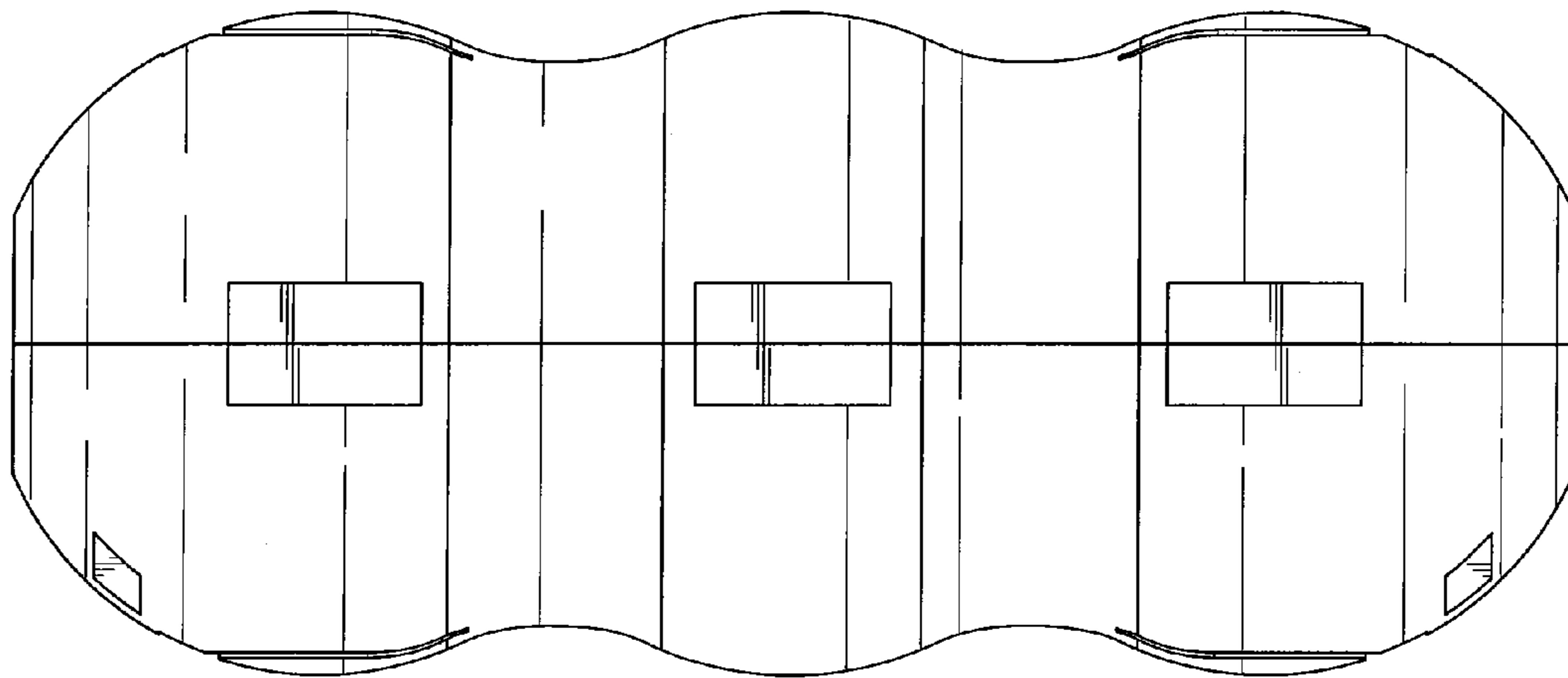


FIG. 3

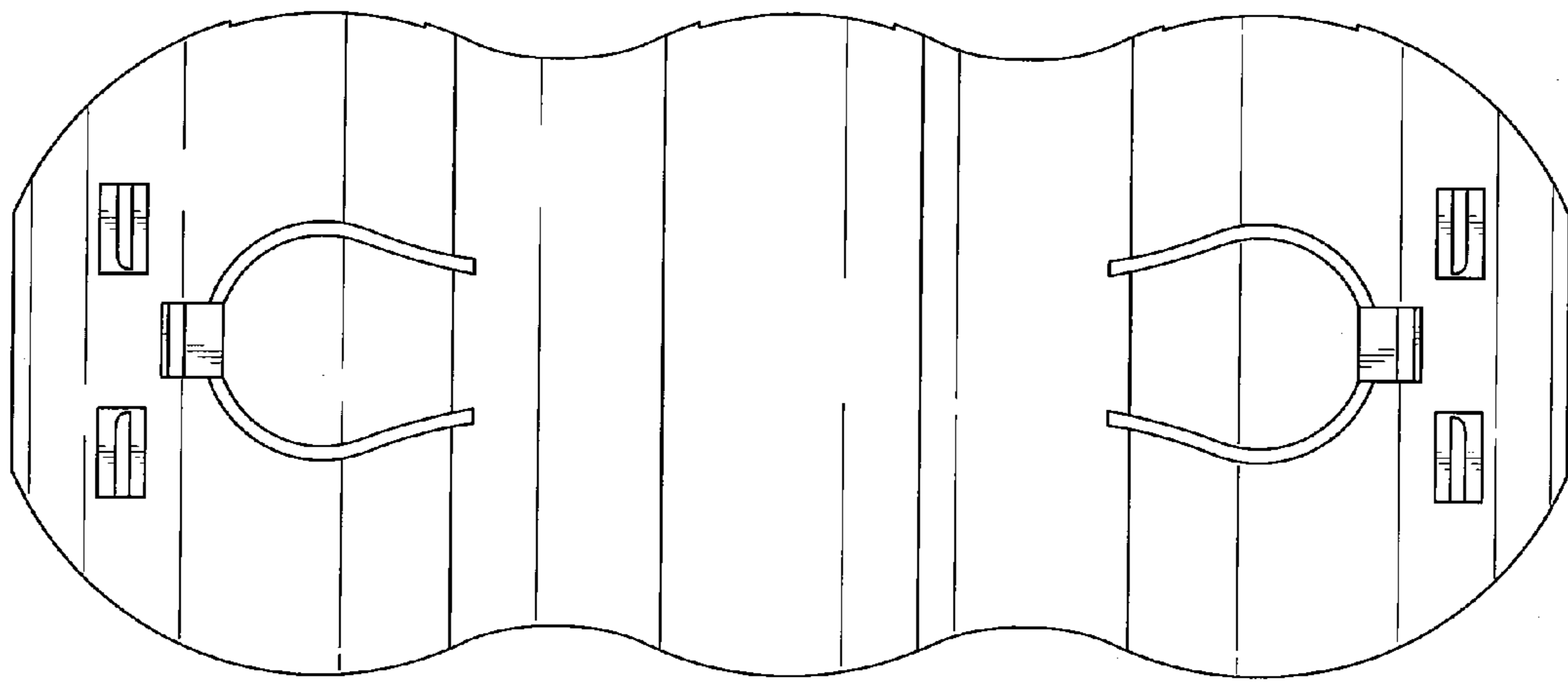


FIG. 4

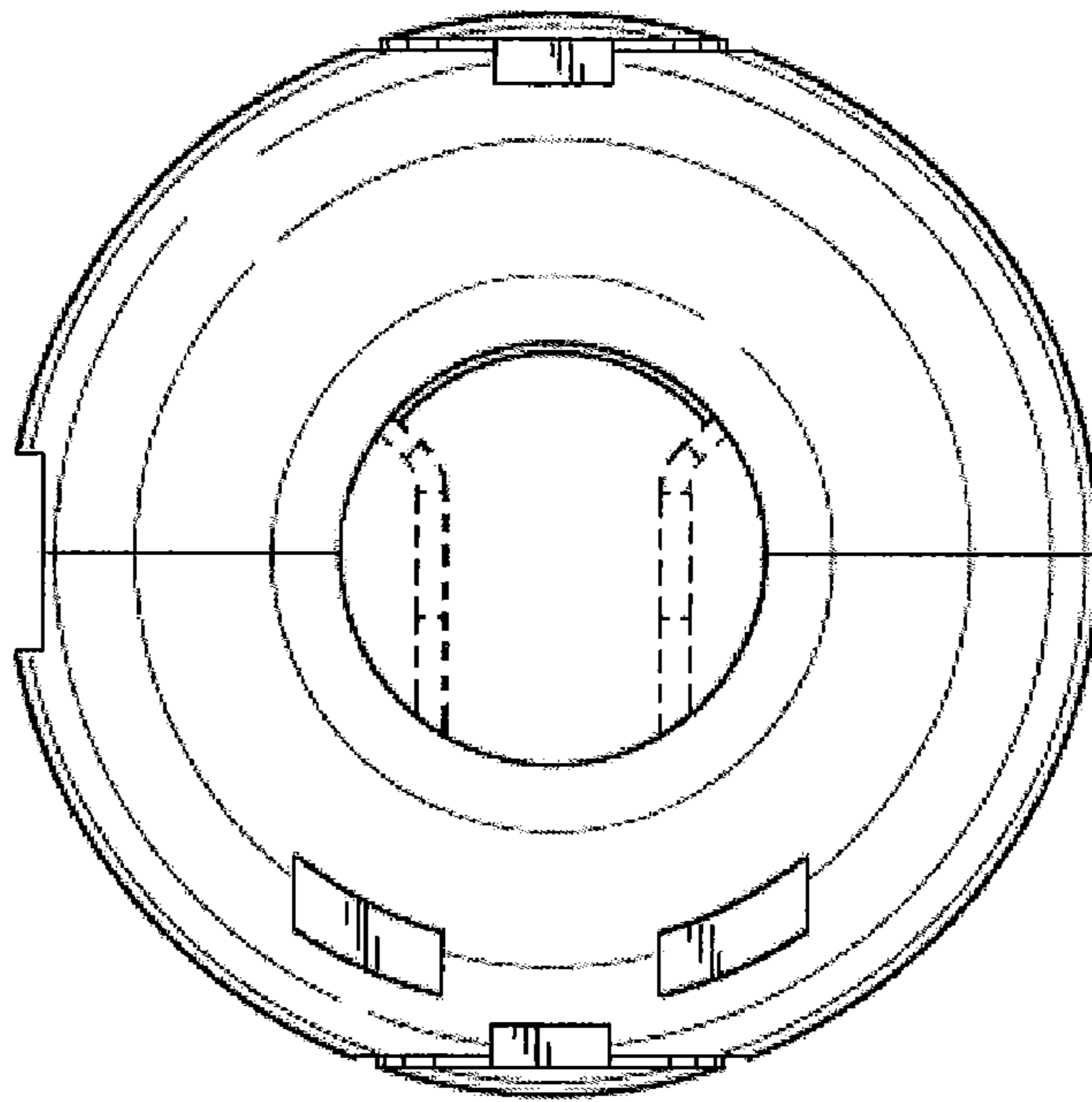


FIG. 5

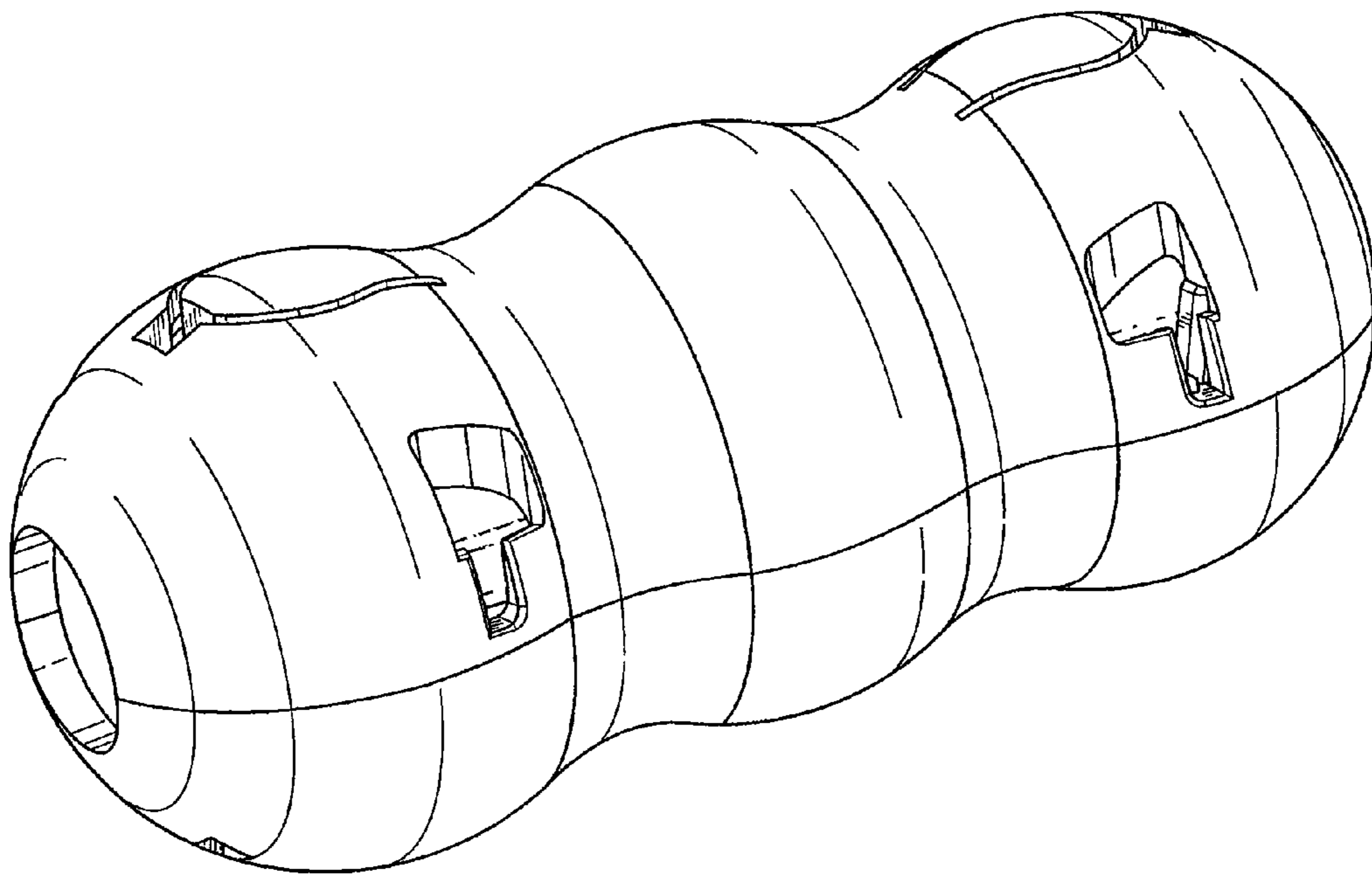


FIG. 6

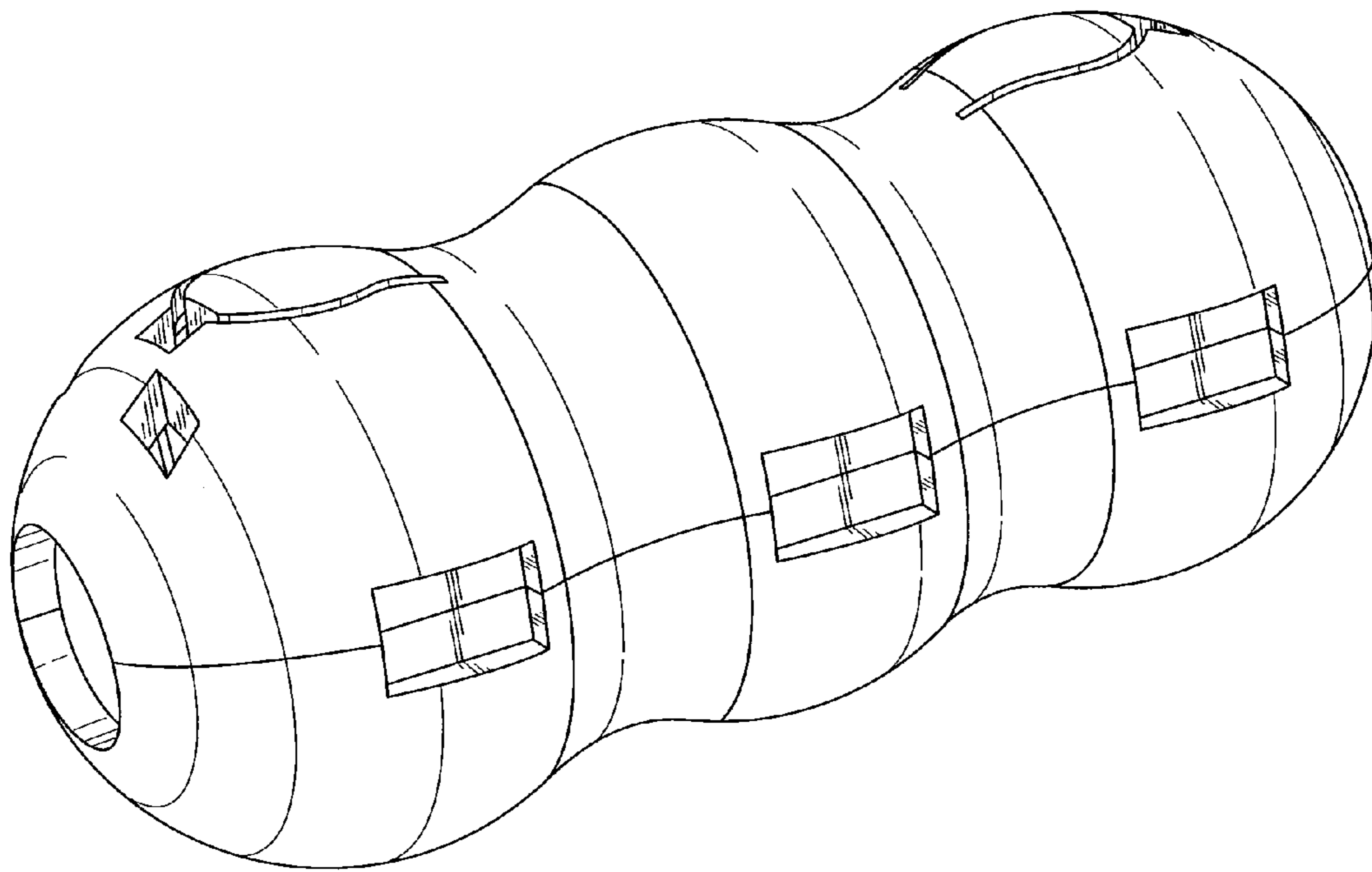


FIG. 7