



US00D654867S

(12) **United States Design Patent**  
**Hüppe**

(10) **Patent No.:** **US D654,867 S**

(45) **Date of Patent:** **\*\* Feb. 28, 2012**

(54) **POWER SUPPLY**

(75) Inventor: **Michael Hüppe**, Gummersbach (DE)

(73) Assignee: **ilcon GmbH**, Freudenberg (DE)

(\*\*) Term: **14 Years**

(21) Appl. No.: **29/385,911**

(22) Filed: **Feb. 22, 2011**

(30) **Foreign Application Priority Data**

Aug. 23, 2010 (DE) ..... 40 2010 004 564

(51) **LOC (9) Cl.** ..... **13-02**

(52) **U.S. Cl.** ..... **D13/110**

(58) **Field of Classification Search** ..... D13/110,  
D13/101, 103, 107, 123, 133, 146, 199; 307/150,  
307/151; 320/111, 112, 140, 143; 361/631,  
361/679, 695; 363/144, 146, 147; 439/485,  
439/502

See application file for complete search history.

(56) **References Cited**

**U.S. PATENT DOCUMENTS**

5,019,767 A \* 5/1991 Shirai et al. .... 320/112  
D361,978 S \* 9/1995 Shirai et al. .... D13/103  
5,847,541 A \* 12/1998 Hahn ..... 320/111

D413,574 S \* 9/1999 Goto ..... D13/146  
D446,499 S \* 8/2001 Andre et al. .... D13/110  
D491,523 S \* 6/2004 Chi et al. .... D13/110  
D503,679 S \* 4/2005 Andre et al. .... D13/110  
D544,834 S \* 6/2007 Weinstein ..... D13/110  
D550,617 S \* 9/2007 Wang ..... D13/110  
7,300,302 B2 \* 11/2007 Kajiwara et al. .... 439/485  
D556,678 S \* 12/2007 Weinstein et al. .... D13/103  
D593,031 S \* 5/2009 Miyatake et al. .... D13/110  
2004/0246662 A1 \* 12/2004 Thurk et al. .... 361/631

\* cited by examiner

*Primary Examiner* — Derrick Holland

(74) *Attorney, Agent, or Firm* — Grossman Tucker Perreault & Pflieger, PLLC

(57) **CLAIM**

The ornamental design for a power supply, as shown and described.

**DESCRIPTION**

FIG. 1 is a left side perspective view of a power supply of the present invention;

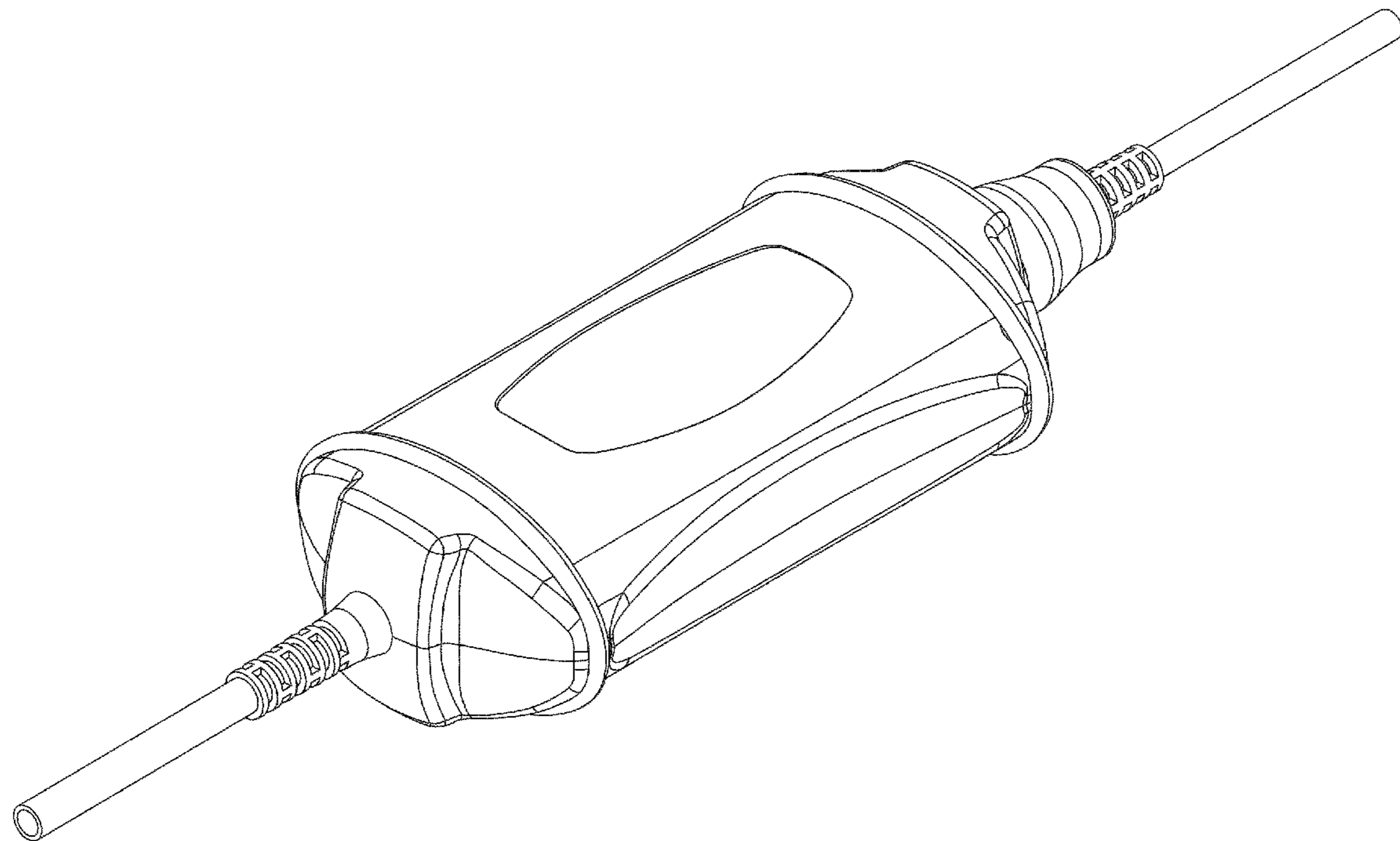
FIG. 2 is a right side perspective view of the power supply of FIG. 1;

FIG. 3 is a top view of the power supply of FIG. 1, the opposing side being a minor image thereof;

FIG. 4 is a front view of the power supply of FIG. 1, the opposing side being a minor image thereof; and,

FIG. 5 is a left side elevation view of the power supply of FIG. 1.

**1 Claim, 5 Drawing Sheets**



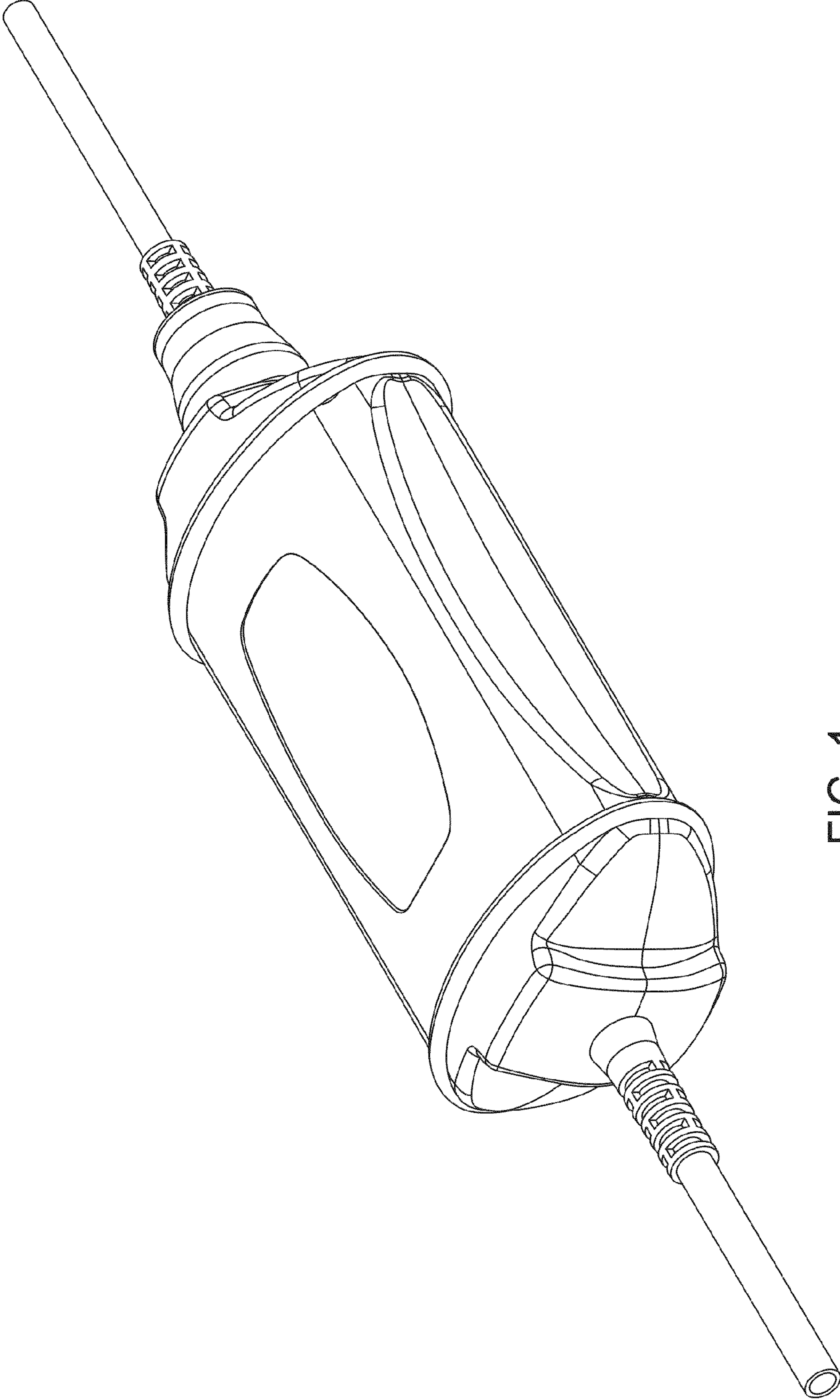


FIG. 1

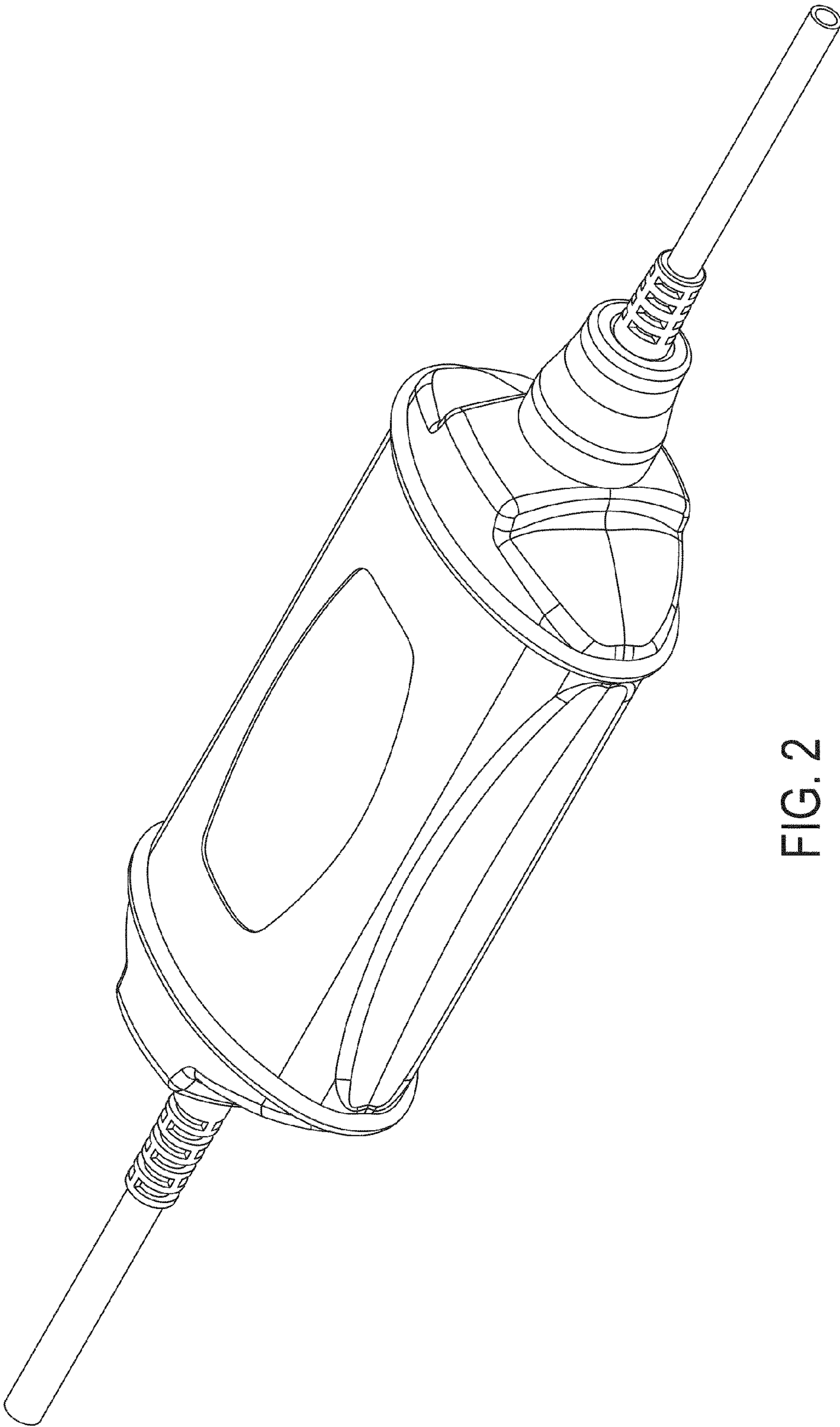


FIG. 2

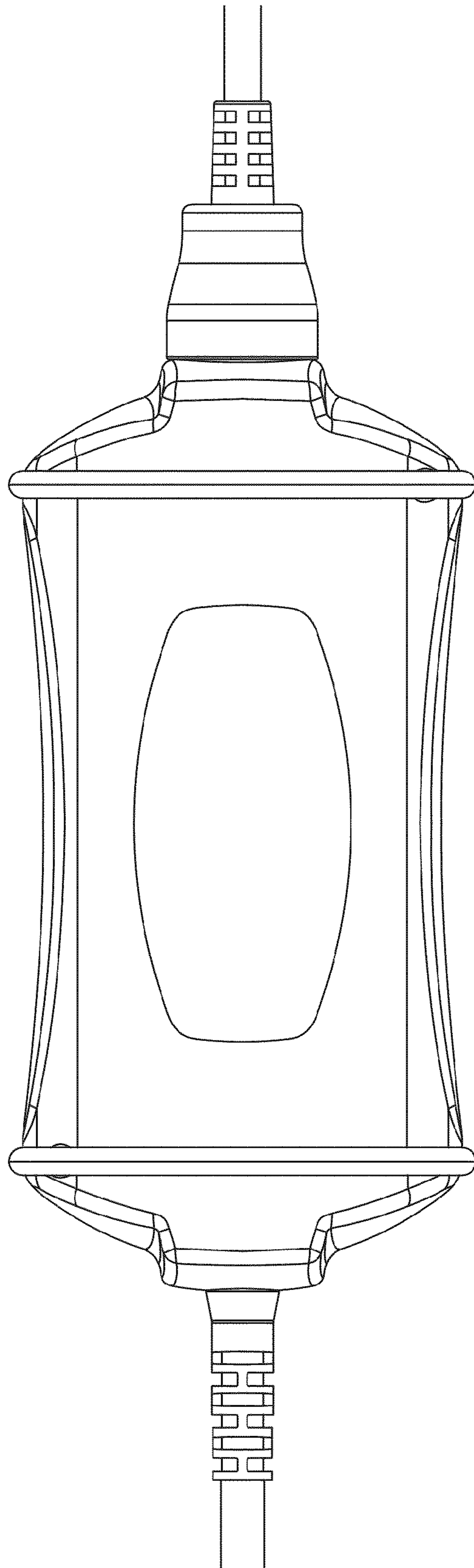


FIG. 3

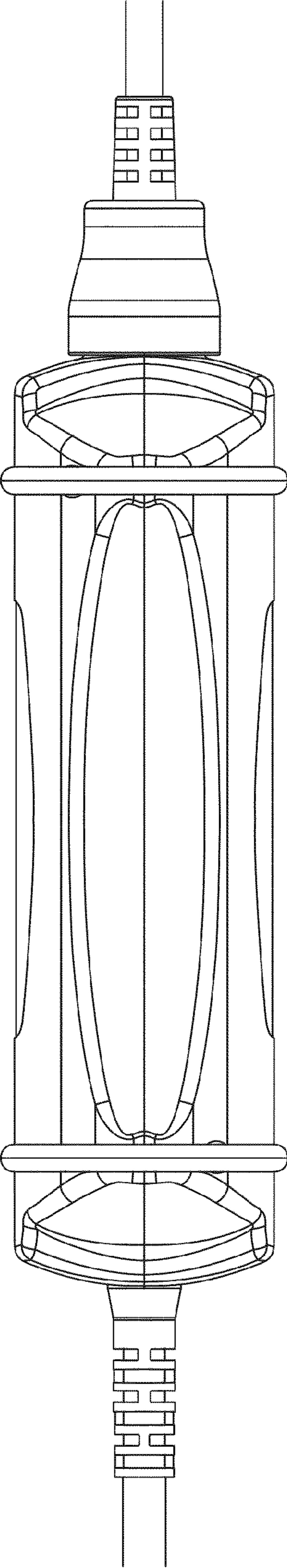


FIG. 4

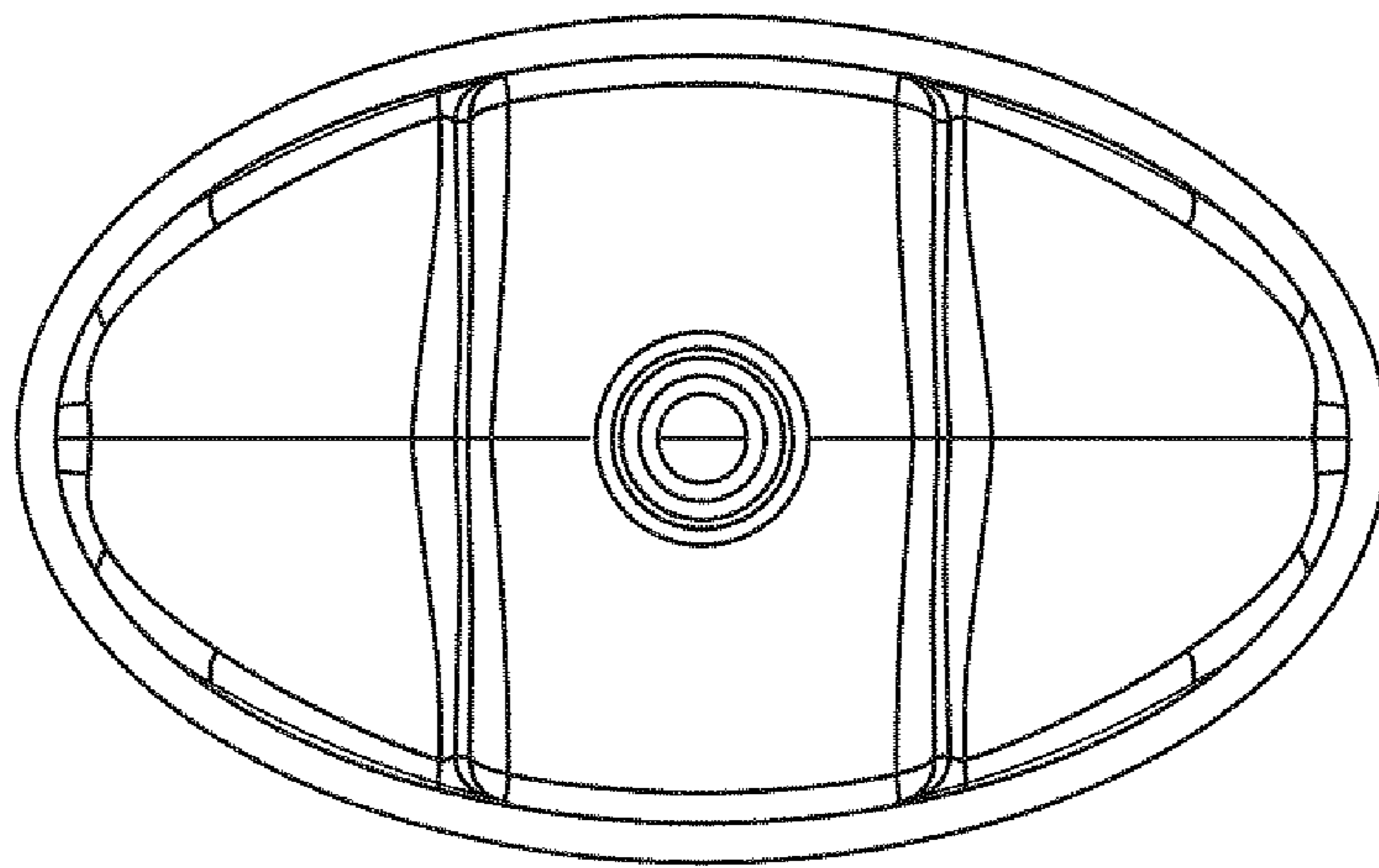


FIG. 5