



US00D654865S

(12) **United States Design Patent**
DuMelle et al.

(10) **Patent No.:** **US D654,865 S**
(45) **Date of Patent:** **** Feb. 28, 2012**

(54) **JUMP STARTER**

(75) Inventors: **Barbara M. DuMelle**, Niles, IL (US);
Christopher M. Kubik, Chicago, IL (US); **Patrick J. Clarke**, St. Charles, IL (US); **Samuel Weisbard**, Highland Park, IL (US); **Joseph J. Zenkus**, Lake in the Hills, IL (US); **Mark Kurth**, Chicago, IL (US); **Timothy Payne**, Chicago, IL (US); **Adam Callif**, Chicago, IL (US)

(73) Assignee: **Schumacher Electric Corporation**, Mt. Prospect, IL (US)

(**) Term: **14 Years**

(21) Appl. No.: **29/397,730**

(22) Filed: **Jul. 20, 2011**

Related U.S. Application Data

(62) Division of application No. 29/354,859, filed on Jan. 29, 2010.

(51) **LOC (9) Cl.** **13-02**

(52) **U.S. Cl.** **D13/107**

(58) **Field of Classification Search** D13/106–110, D13/118–119, 184, 199; D15/9; 320/103–115
See application file for complete search history.

(56) **References Cited**

U.S. PATENT DOCUMENTS

D258,818 S	4/1981	Johnson et al.
D264,962 S	6/1982	Fellmann
D304,928 S	12/1989	Mize
4,913,668 A	4/1990	Chamberlain
D322,060 S	12/1991	Iino
D333,121 S	2/1993	Craveiro
D346,149 S	4/1994	Deering
D390,824 S	2/1998	Foster et al.
5,949,640 A	9/1999	Cameron et al.

6,018,230 A	1/2000	Casey
D427,148 S	6/2000	Wei
D427,969 S	7/2000	Wei
D436,918 S	1/2001	Matsuda
D444,122 S	6/2001	Krieger et al.
D483,326 S	12/2003	Krieger et al.

(Continued)

OTHER PUBLICATIONS

U.S. Appl. No. 29/354,859, filed Jan. 29, 2010, Barbara DuMelle.

(Continued)

Primary Examiner — Rosemary K Tarcza

(74) *Attorney, Agent, or Firm* — John S. Paniaguas; Katten Muchin Rosenman LLP

(57) **CLAIM**

The ornamental design for a jump starter, as shown and described.

DESCRIPTION

FIG. 1 is a front isometric view of a jump starter in accordance with the present invention.

FIG. 2 is a rear isometric view of the jump starter illustrated in FIG. 1.

FIG. 3 is a bottom plan view of the jump starter illustrated in FIG. 1.

FIG. 4 is a front elevation view of the jump starter illustrated in FIG. 1.

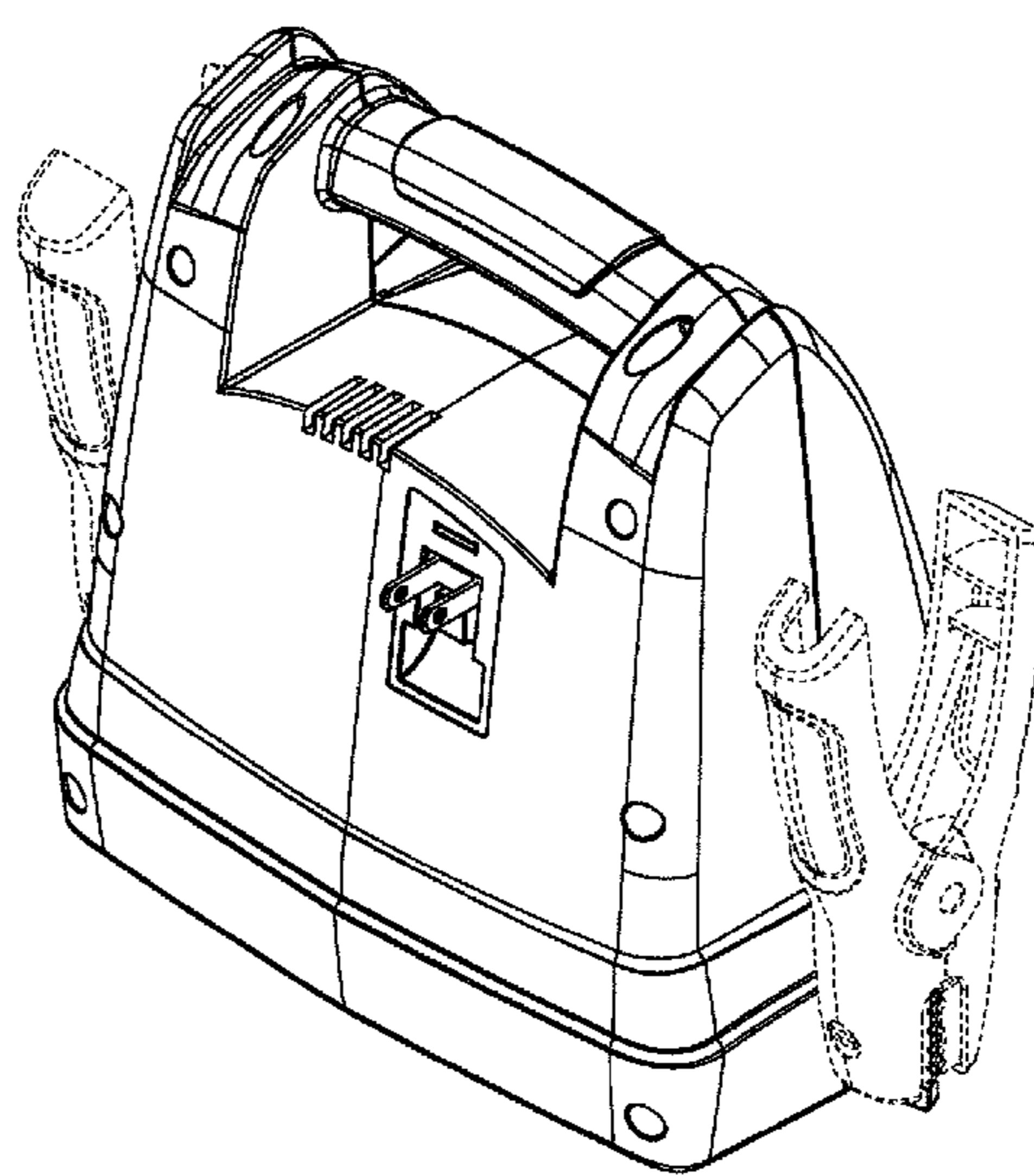
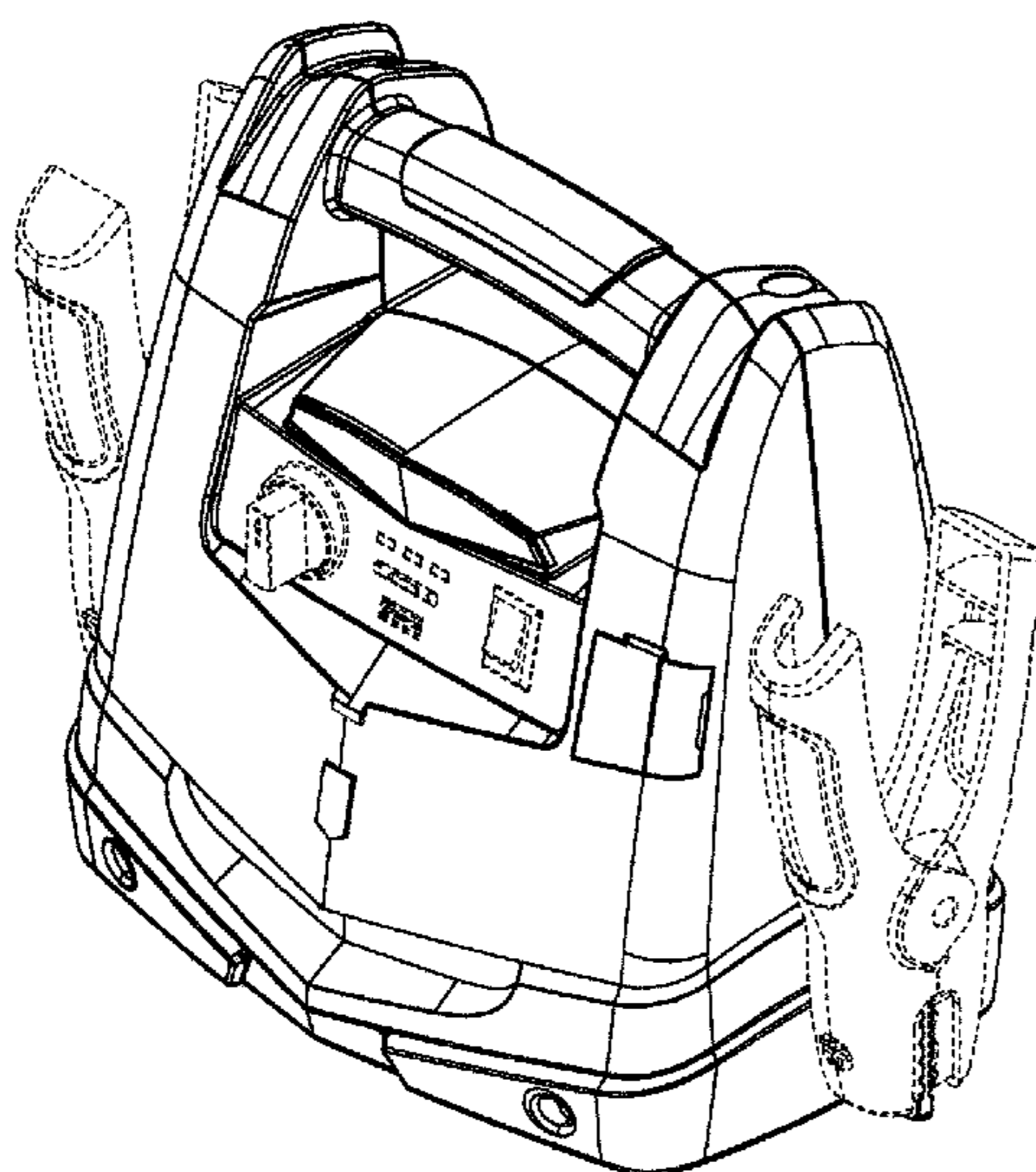
FIG. 5 is a left side elevation view of the jump starter illustrated in FIG. 1.

FIG. 6 is a rear elevation view of the jump starter illustrated in FIG. 1; and,

FIG. 7 is a top plan view of the jump starter illustrated in FIG. 1.

The broken lines shown in the drawings are included for the purpose of illustrating environmental structure and form no part of the claimed design.

1 Claim, 4 Drawing Sheets



US D654,865 S

Page 2

U.S. PATENT DOCUMENTS

D486,446 S 2/2004 Hriscu et al.
D488,438 S 4/2004 Zick et al.
D491,139 S 6/2004 Krieger et al.
D493,421 S 7/2004 Krieger et al.
D494,541 S 8/2004 Hriscu et al.
D496,629 S 9/2004 Hriscu et al.
D503,148 S 3/2005 Krieger et al.
D504,869 S 5/2005 Krieger et al.
D505,915 S 6/2005 Hussaini et al.
D506,724 S 6/2005 Hriscu et al.
D506,974 S 7/2005 Li
D509,792 S 9/2005 Hsu
D511,491 S 11/2005 Hriscu et al.
D517,983 S 3/2006 Krieger et al.
D518,435 S 4/2006 Kurth
D518,769 S 4/2006 Kurth
D527,340 S 8/2006 Christiani et al.
D527,342 S 8/2006 Krieger et al.
D528,978 S 9/2006 Trosper et al.
D530,271 S 10/2006 Hriscu et al.
D530,272 S 10/2006 Hulden
D531,956 S 11/2006 Krieger et al.
D532,364 S 11/2006 Krieger et al.
D532,748 S 11/2006 Disbennett et al.
D537,410 S 2/2007 Yuen
D544,439 S 6/2007 Hussaini et al.
D548,692 S 8/2007 Krieger et al.
D548,694 S 8/2007 Krieger et al.
D549,170 S 8/2007 Yen
D549,644 S 8/2007 Hulden
D550,615 S 9/2007 Tong
D551,166 S 9/2007 Dayan
D554,059 S 10/2007 Hsu

7,340,852 B1 12/2007 Hernandez et al.
D561,688 S 2/2008 Hussaini et al.
D562,235 S 2/2008 Hussaini et al.
D573,089 S 7/2008 Mandel et al.
D580,354 S 11/2008 Dunbar et al.
D580,441 S 11/2008 Mori
D582,845 S 12/2008 O'Hern
D585,822 S 2/2009 Hsu
D594,405 S 6/2009 Murray et al.
D597,029 S 7/2009 Li
D601,495 S * 10/2009 Shum et al. D13/107
D601,496 S * 10/2009 Shum et al. D13/107
D609,634 S 2/2010 Daniels et al.
D610,982 S 3/2010 Shum et al.
D625,255 S 10/2010 DuMelle
D625,265 S 10/2010 DuMelle
D627,719 S 11/2010 DuMelle
D627,720 S 11/2010 DuMelle
D635,089 S 3/2011 DuMelle
D635,090 S 3/2011 DuMelle
D635,510 S * 4/2011 Inskeep D13/107

OTHER PUBLICATIONS

U.S. Appl. No. 29/354,853, filed Jan. 29, 2010, Barbara DuMelle.
U.S. Appl. No. 29/354,879, filed Jan. 29, 2010, Barbara DuMelle.
U.S. Appl. No. 29/354,851, filed Jan. 29, 2010, Barbara DuMelle.
U.S. Appl. No. 29/354,897, filed Jan. 29, 2010, Barbara DuMelle.
U.S. Appl. No. 29/354,887, filed Jan. 29, 2010, Barbara DuMelle.
U.S. Appl. No. 29/356,065, filed Feb. 19, 2010, Barbara DuMelle.
U.S. Appl. No. 29/354,902, filed Jan. 29, 2010, Barbara DuMelle.
U.S. Appl. No. 29/397,739, filed Jul. 20, 2011, Barbara DuMelle.

* cited by examiner

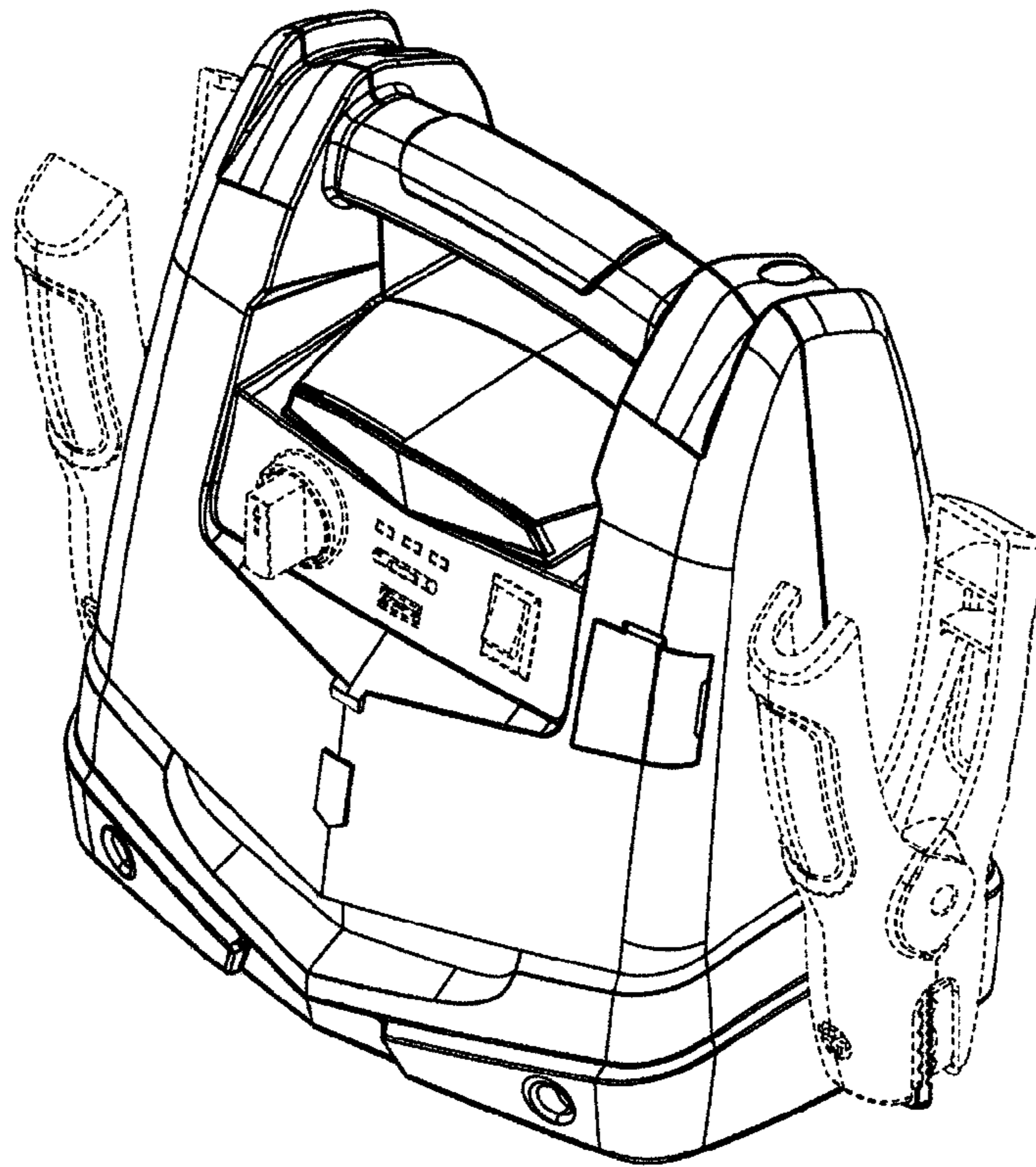


Fig. 1

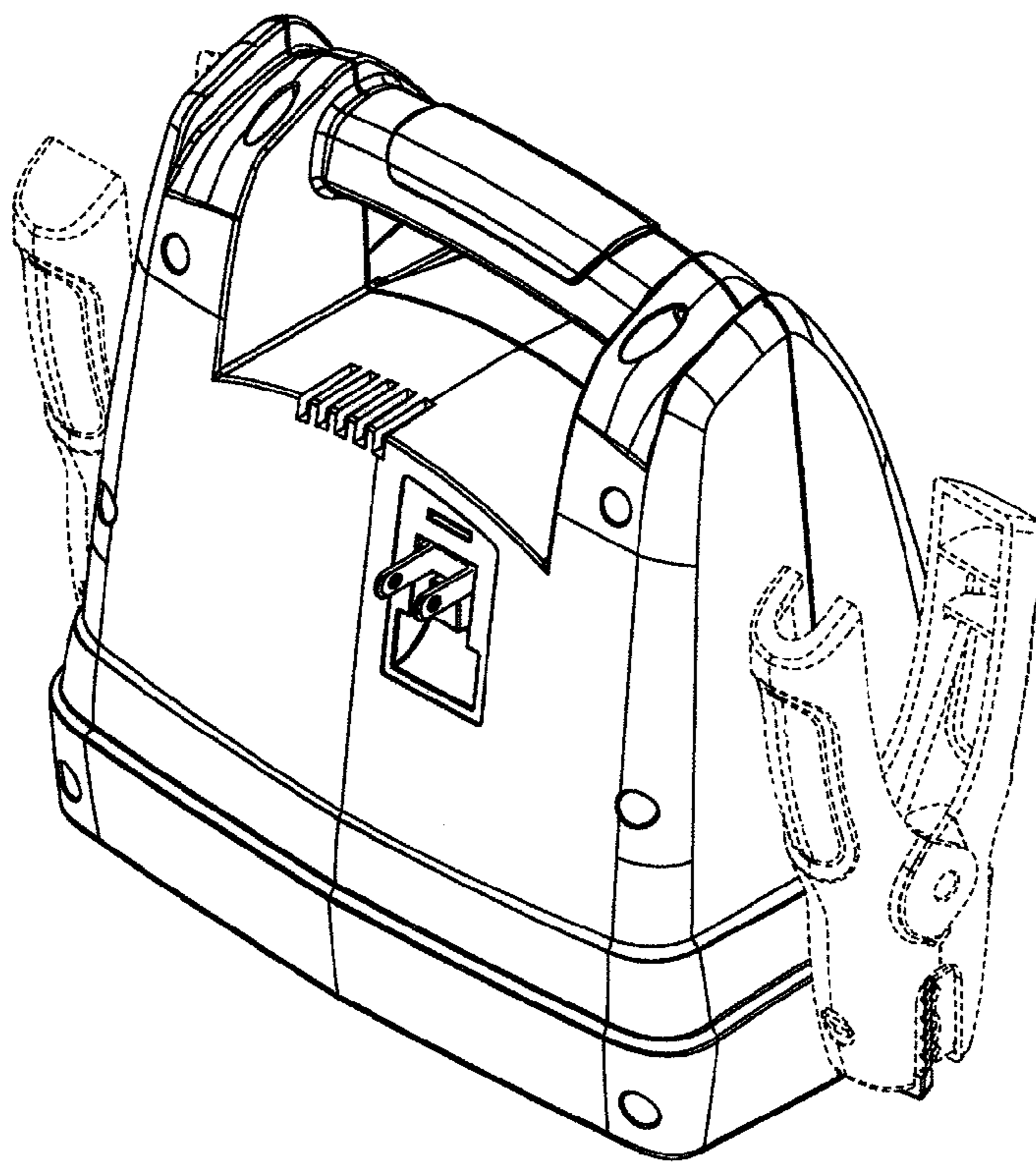


Fig. 2

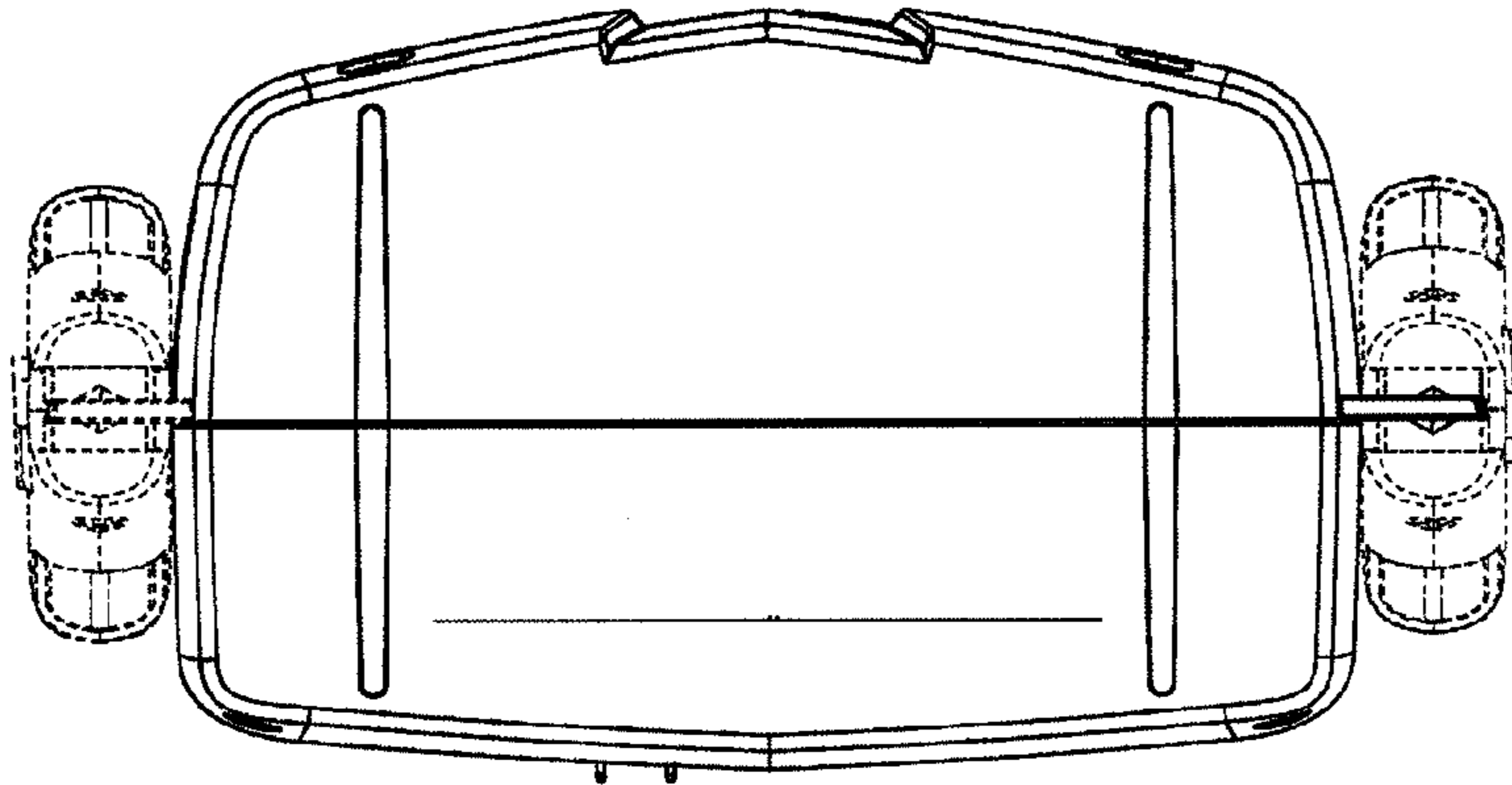


Fig. 3

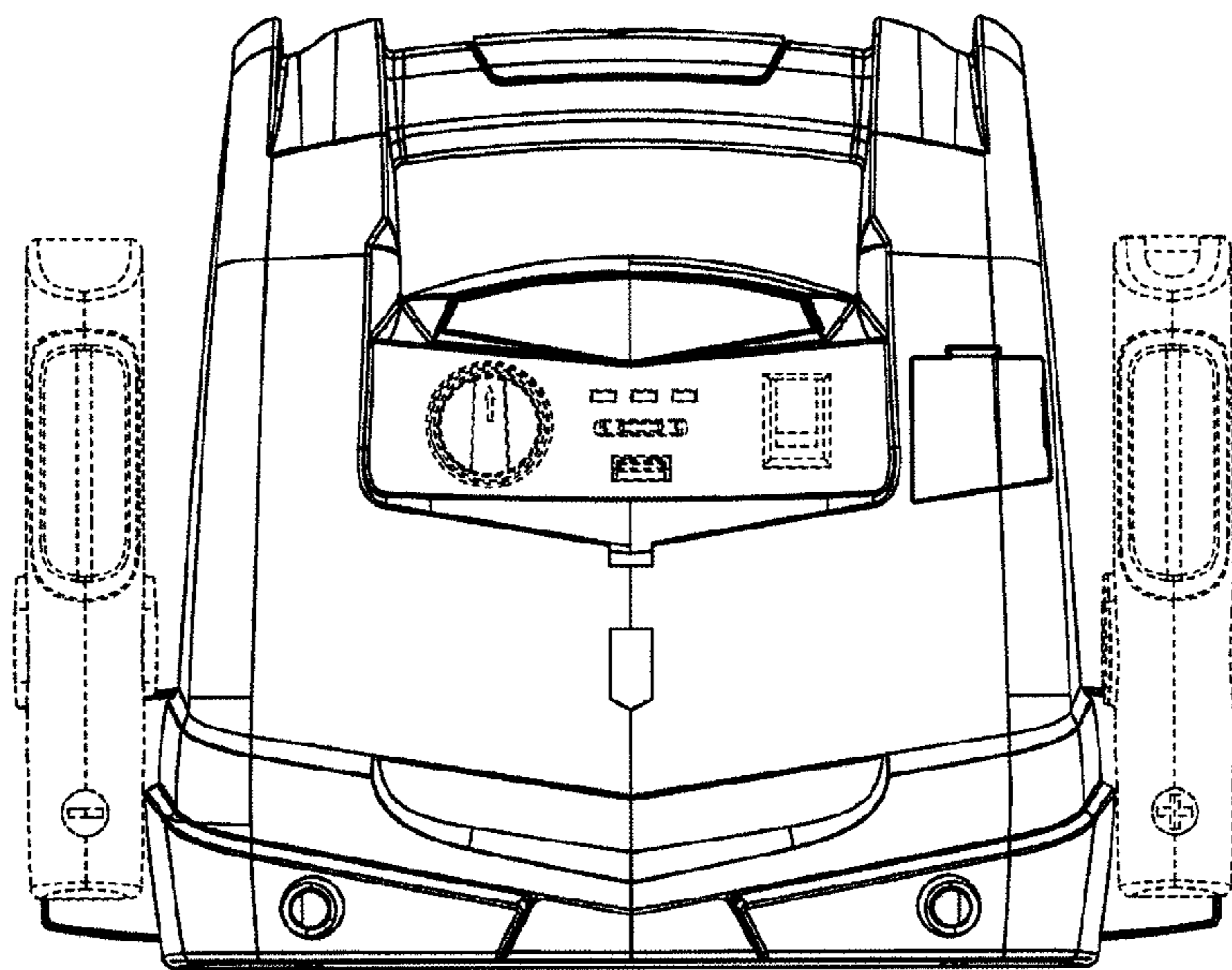


Fig. 4

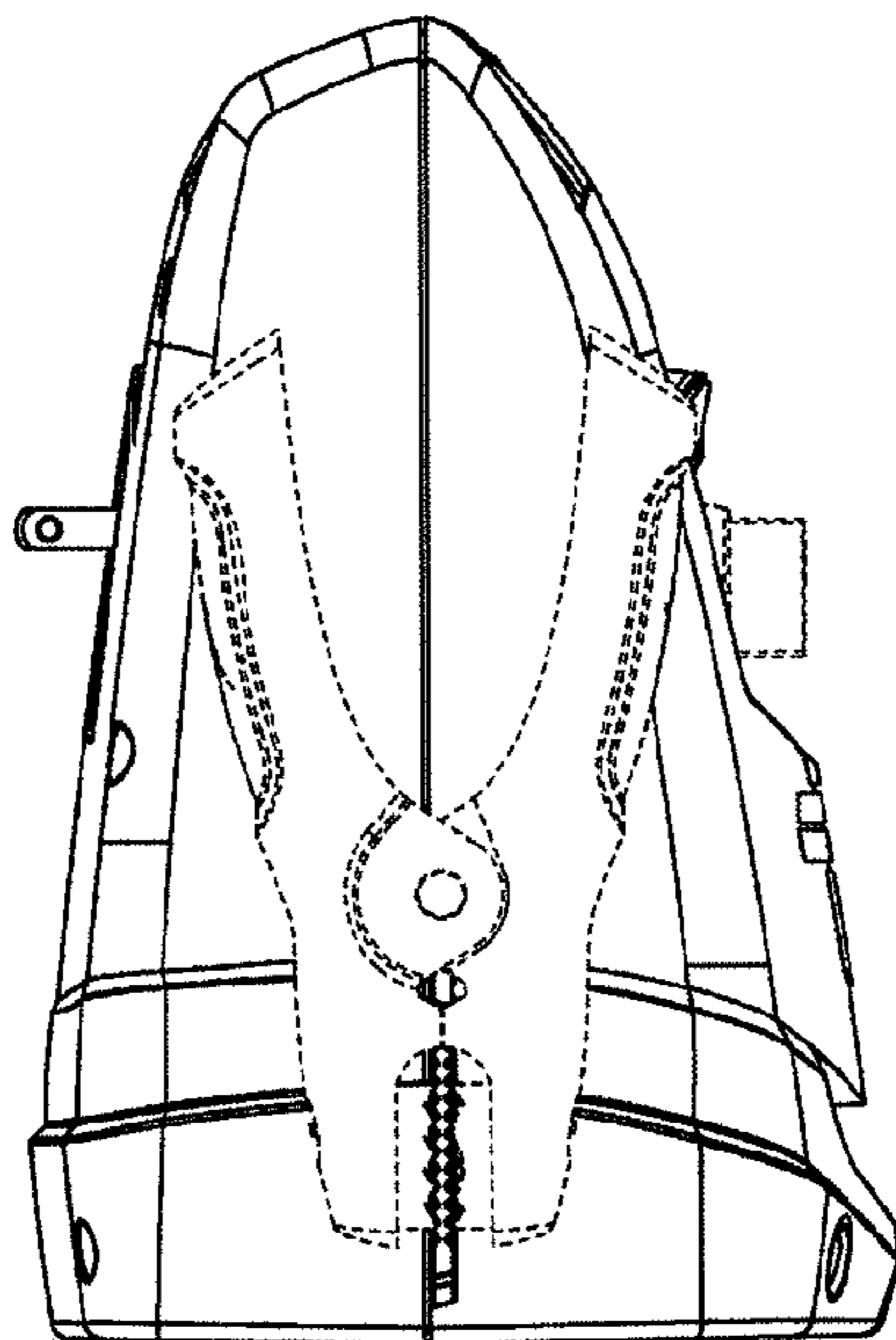


Fig. 5

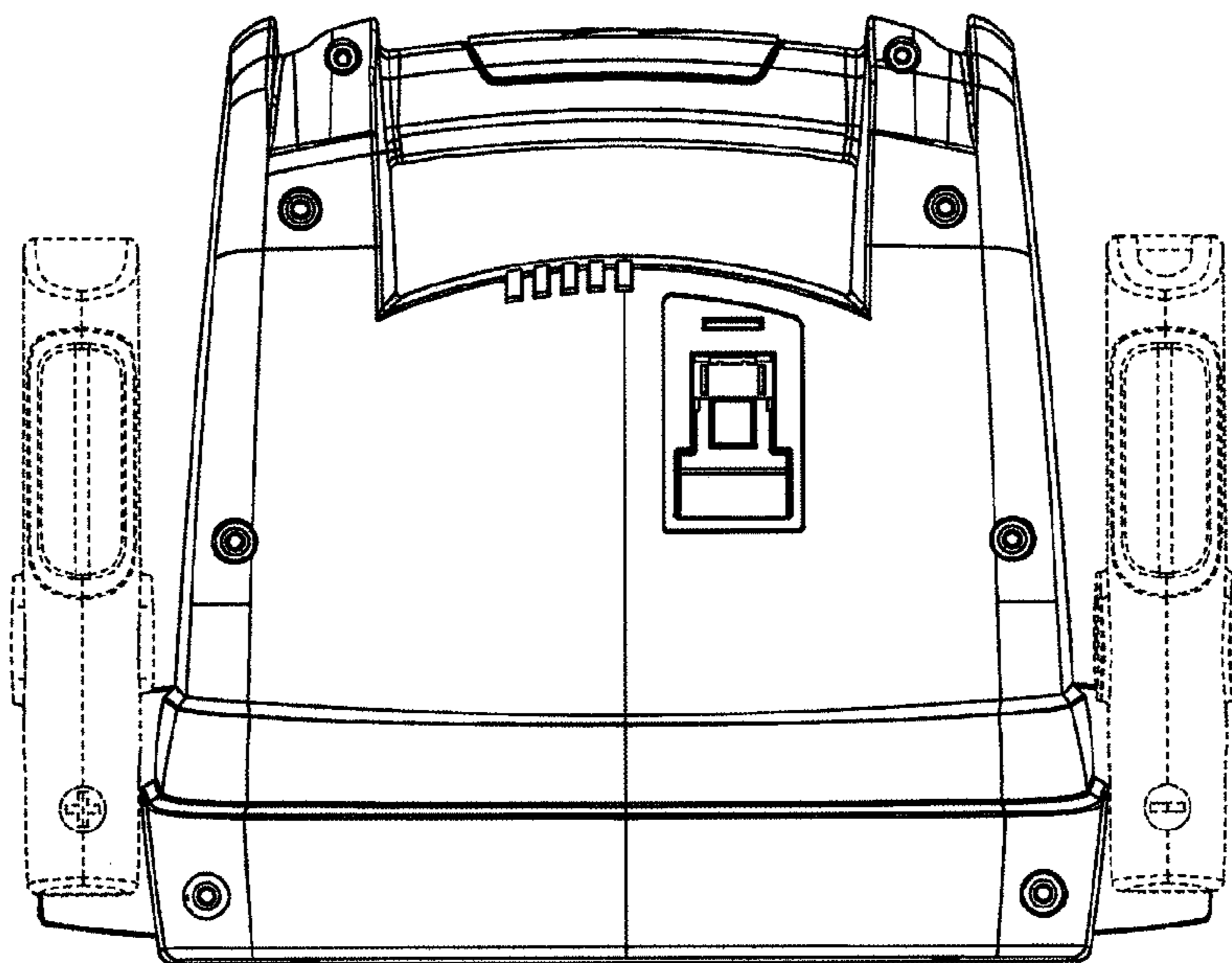


Fig. 6

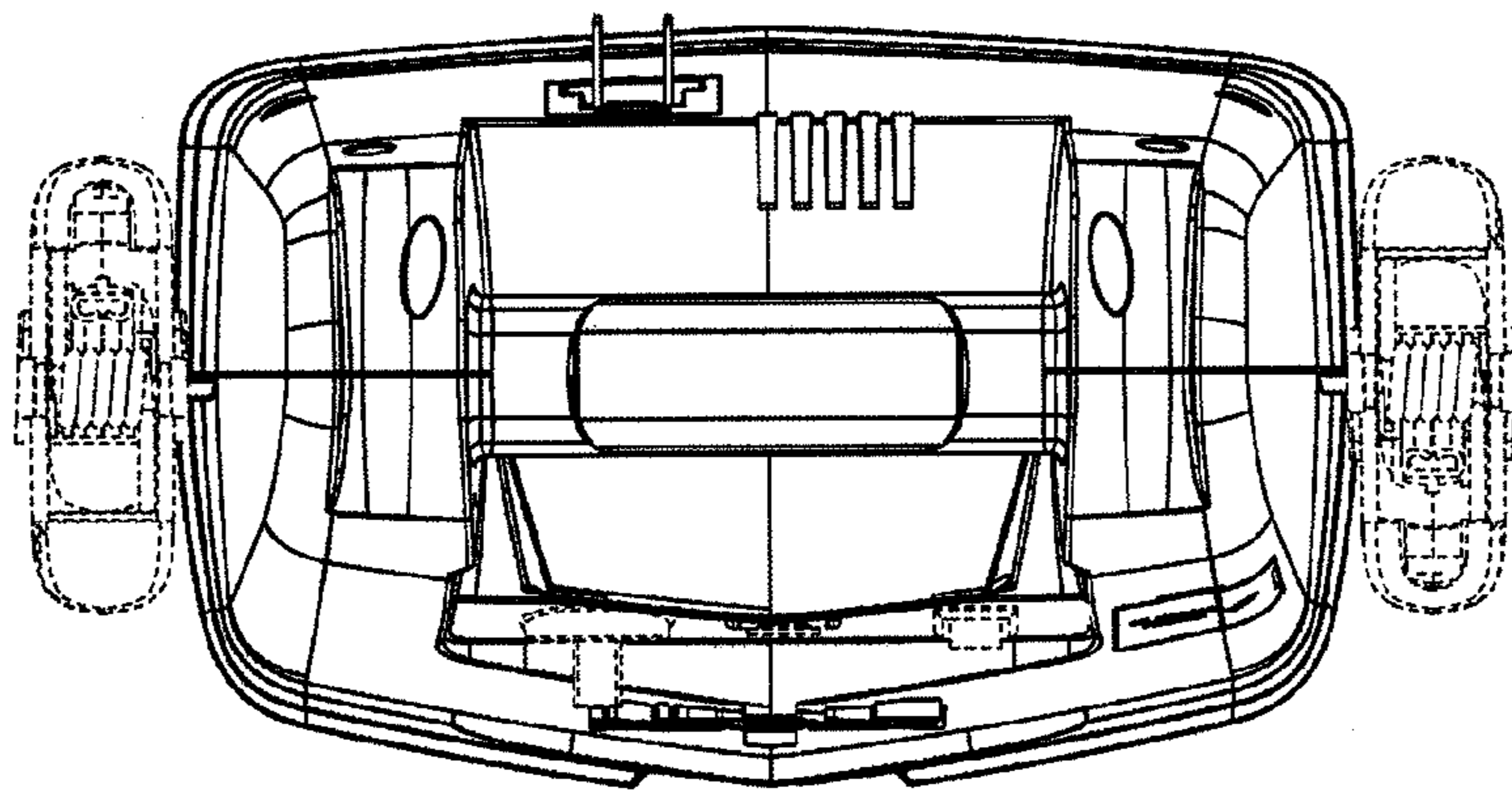


Fig. 7