



US00D654863S

(12) **United States Design Patent**
Whiting et al.

(10) **Patent No.:** **US D654,863 S**
(45) **Date of Patent:** **** Feb. 28, 2012**

(54) **BATTERY BOOSTER PACK**

(75) Inventors: **John S. Whiting**, Hampshire, IL (US);
Patrick J. Clarke, St. Charles, IL (US);
Randall L. Lawson, Hoopeston, IL (US); **Samuel I. Weisbard**, Highland Park, IL (US); **Steven Hawkins**, Burnsville, IL (US); **Mark Kurth**, Chicago, IL (US); **Timothy Payne**, Chicago, IL (US)

(73) Assignee: **Schumacher Electric Corporation**, Mt. Prospect, IL (US)

(**) Term: **14 Years**

(21) Appl. No.: **29/397,220**

(22) Filed: **Jul. 13, 2011**

Related U.S. Application Data

(62) Division of application No. 29/376,140, filed on Oct. 1, 2010.

(51) **LOC (9) Cl.** **13-02**

(52) **U.S. Cl.** **D13/107**

(58) **Field of Classification Search** D13/106-110, D13/118-119, 184, 199; D15/9; 320/103-115
See application file for complete search history.

(56) **References Cited**

U.S. PATENT DOCUMENTS

D466,862 S	12/2002	Casarella
D484,852 S	1/2004	James et al.
D495,993 S	9/2004	Krieger et al.
D503,377 S	3/2005	Krieger et al.
D503,378 S	3/2005	Hussaini et al.
D504,396 S	4/2005	Hussaini et al.
D504,661 S	5/2005	Krieger et al.
D506,181 S	6/2005	Krieger et al.
D514,509 S	2/2006	Krieger et al.

D530,664 S	10/2006	Wingerter et al.
D545,269 S	6/2007	Dayan
D545,270 S	6/2007	Dayan
D593,941 S	6/2009	Ellsworth
D594,406 S *	6/2009	Ellsworth D13/107
D595,222 S *	6/2009	Ellsworth D13/107

(Continued)

OTHER PUBLICATIONS

U.S. Appl. No. 29/376,140, filed Oct. 1, 2010, Whiting et al.

(Continued)

Primary Examiner — Rosemary K Tarcza

(74) *Attorney, Agent, or Firm* — John S. Paniaguas; Katten Muchin Rosenman LLP

(57) **CLAIM**

The ornamental design for a battery booster pack, as shown and described.

DESCRIPTION

FIG. 1 is a front isometric view of a first embodiment of a battery booster pack in accordance with the present invention.

FIG. 2 is a back isometric view of a first embodiment of a battery booster pack in accordance with the present invention.

FIG. 3 is a front elevation view of the battery booster pack illustrated in FIGS. 1 and 2.

FIG. 4 is a rear elevation view of the battery booster pack illustrated in FIGS. 1 and 2.

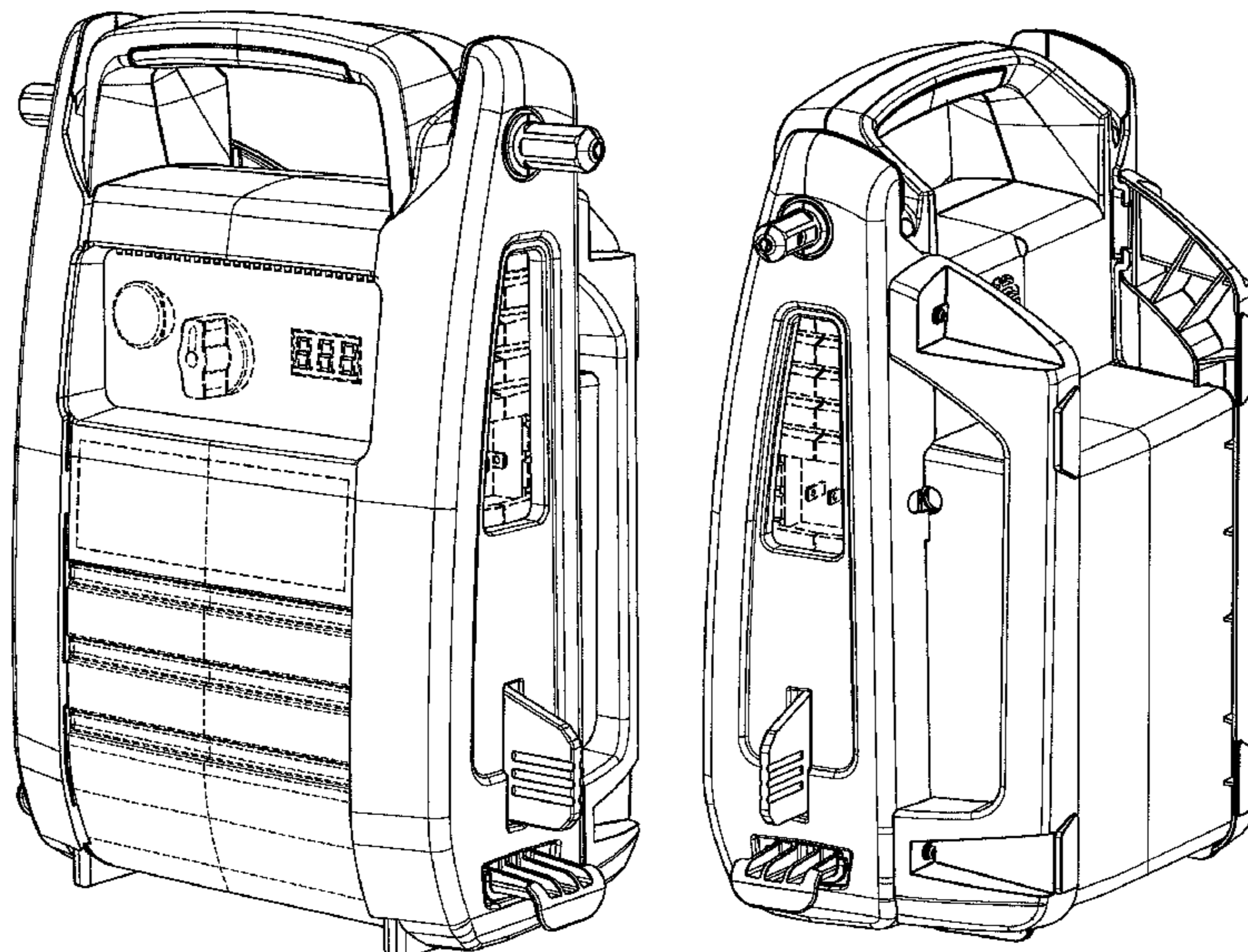
FIG. 5 is a left side elevation view of the battery booster pack illustrated in FIGS. 1 and 2.

FIG. 6 is a right side elevation view of the battery booster pack illustrated in FIGS. 1 and 2; and,

FIG. 7 is a top plan view of the battery booster pack illustrated in FIGS. 1 and 2.

The broken lines shown in the drawings are included for the purpose of illustrating environmental structure and form no part of the claimed design.

1 Claim, 4 Drawing Sheets



US D654,863 S

Page 2

U.S. PATENT DOCUMENTS

D601,495 S * 10/2009 Shum et al. D13/107
D601,496 S * 10/2009 Shum et al. D13/107
D609,633 S * 2/2010 Daniels et al. D13/107
D609,635 S * 2/2010 Daniels et al. D13/107
D620,881 S * 8/2010 Daniels et al. D13/107
D624,492 S * 9/2010 Daniels et al. D13/107

D624,877 S * 10/2010 Daniels et al. D13/107
D635,510 S * 4/2011 Inskeep D13/107

OTHER PUBLICATIONS

U.S. Appl. No. 29/397,223, filed Jul. 13, 2011, Whiting et al.

* cited by examiner

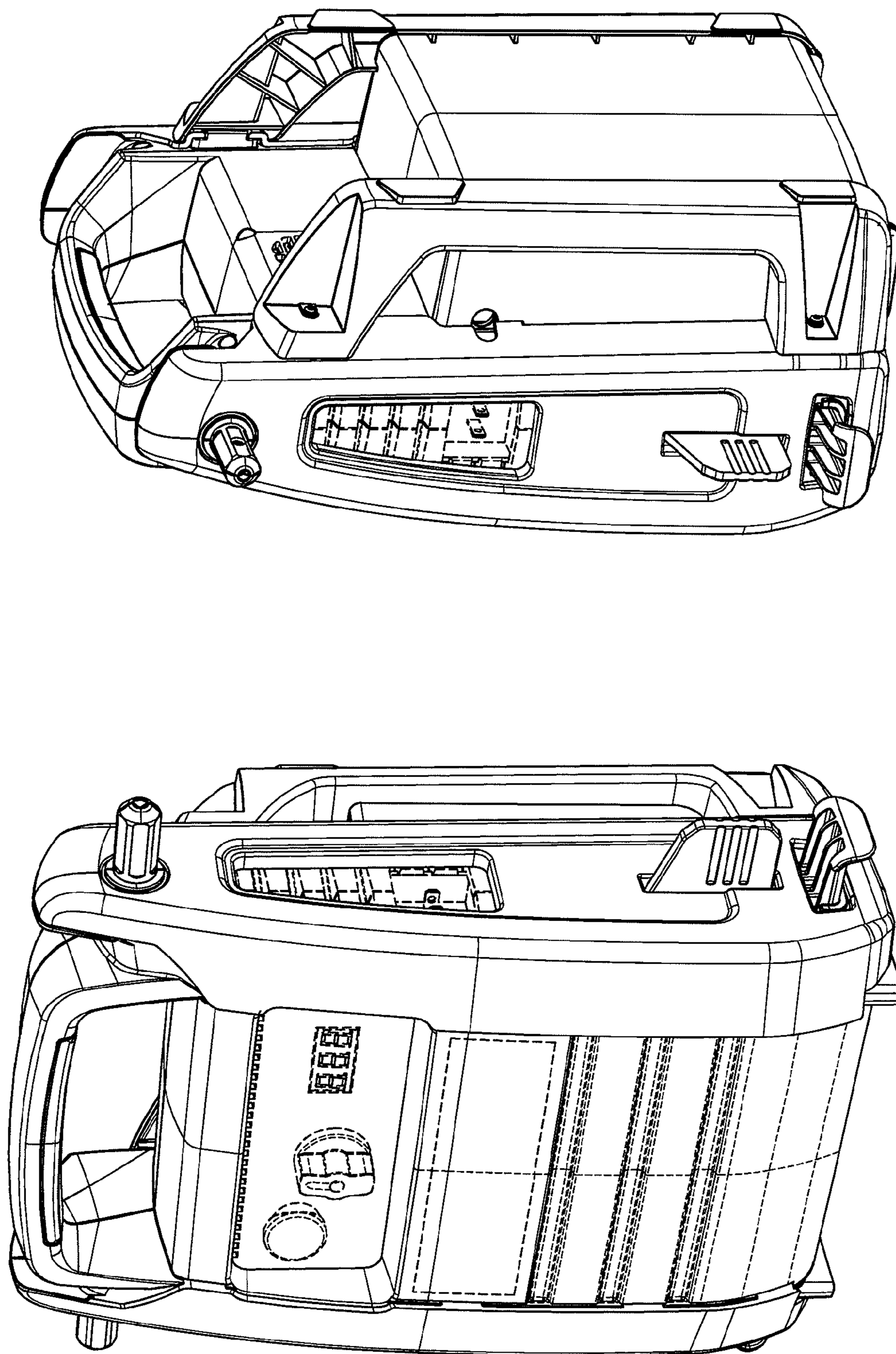


Fig. 2

Fig. 1

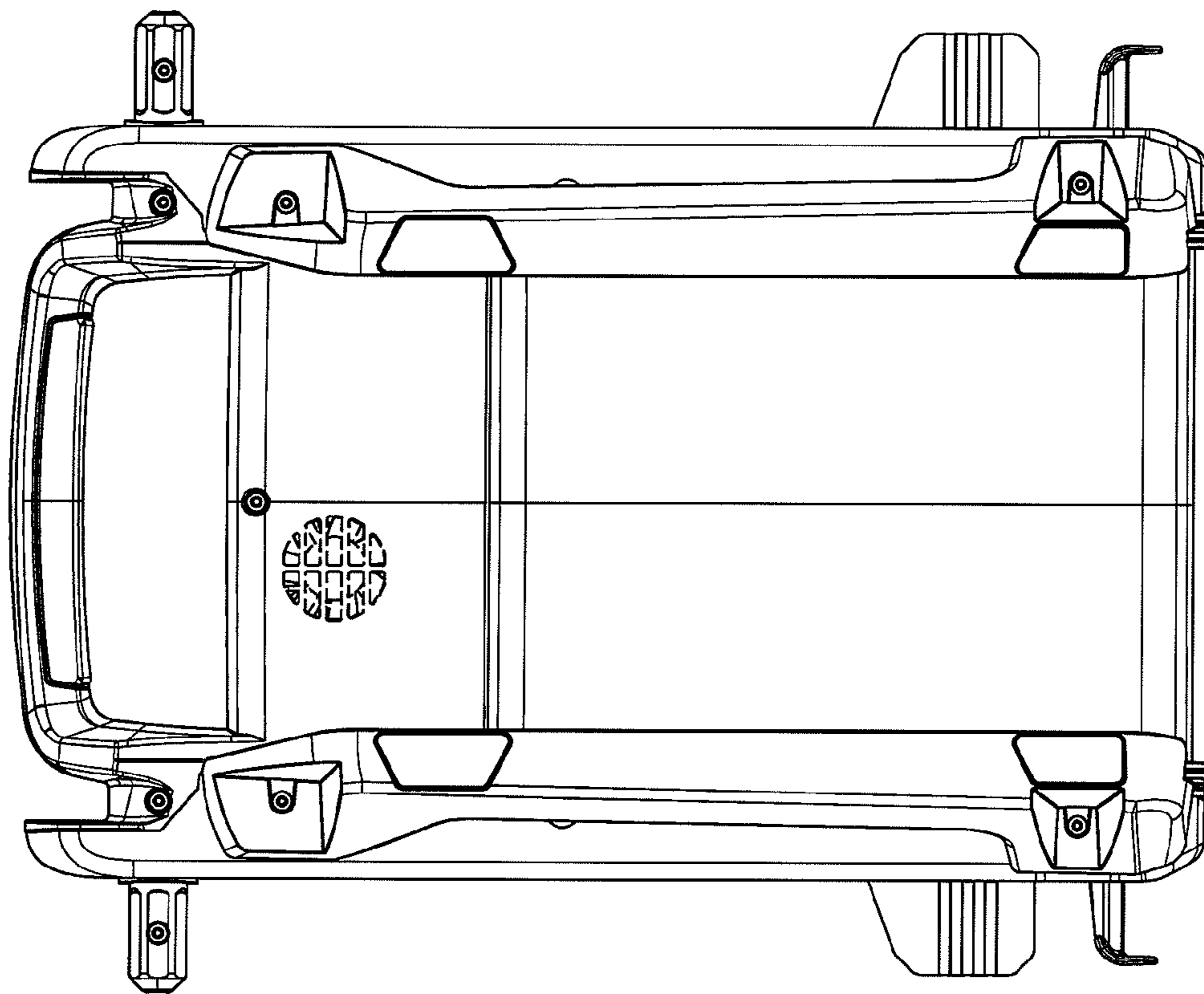


Fig. 4

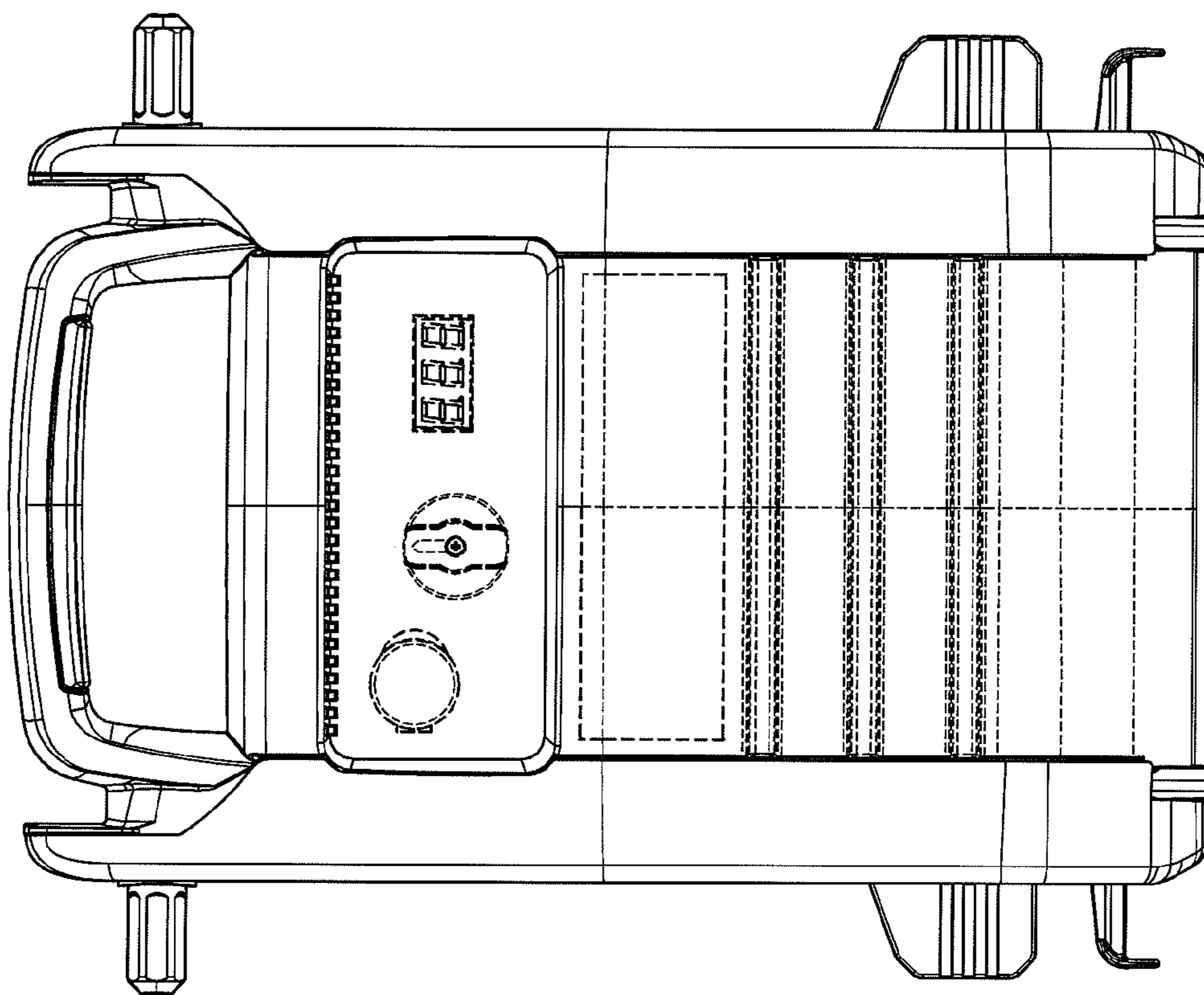


Fig. 3

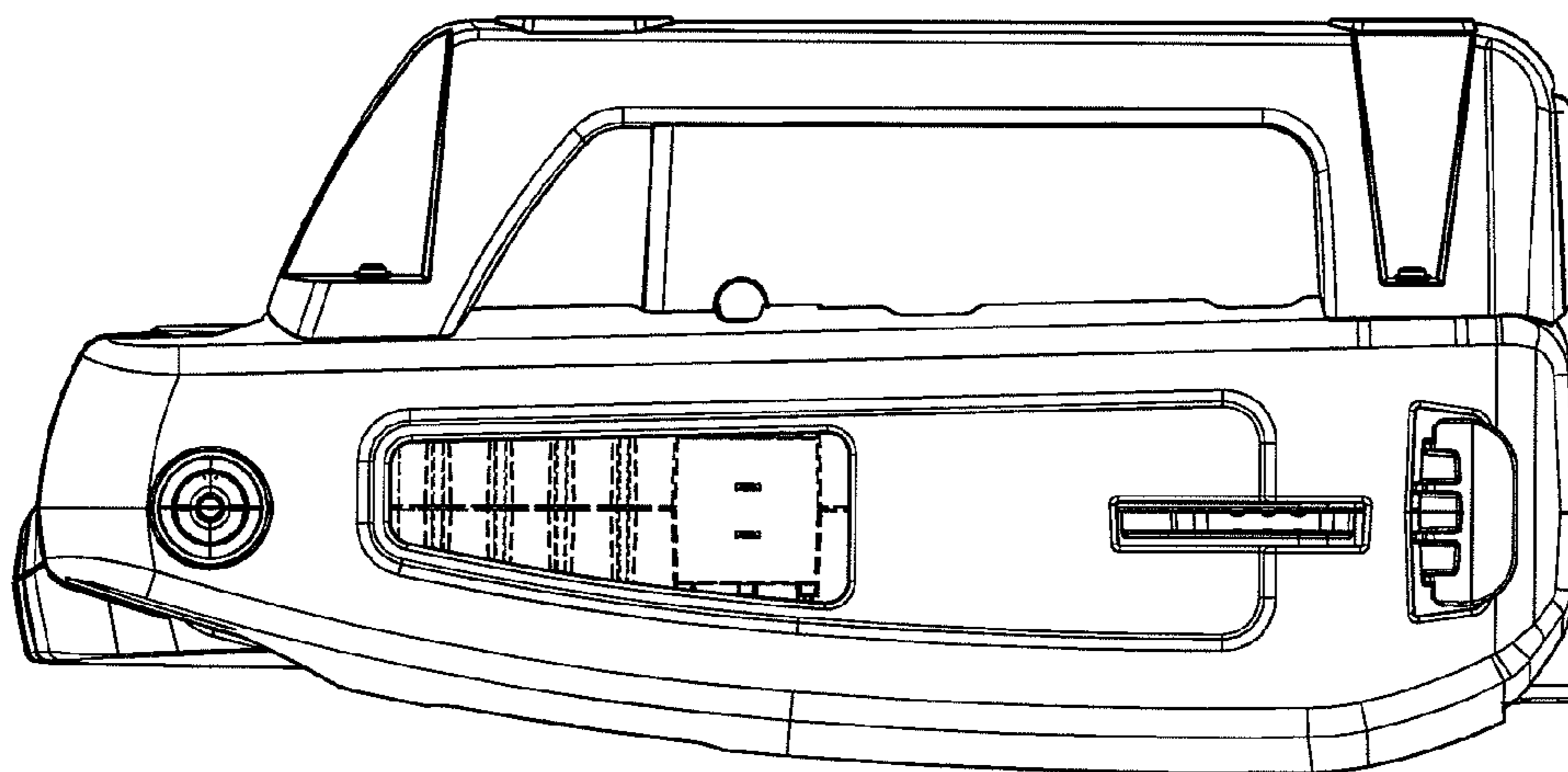


Fig. 6

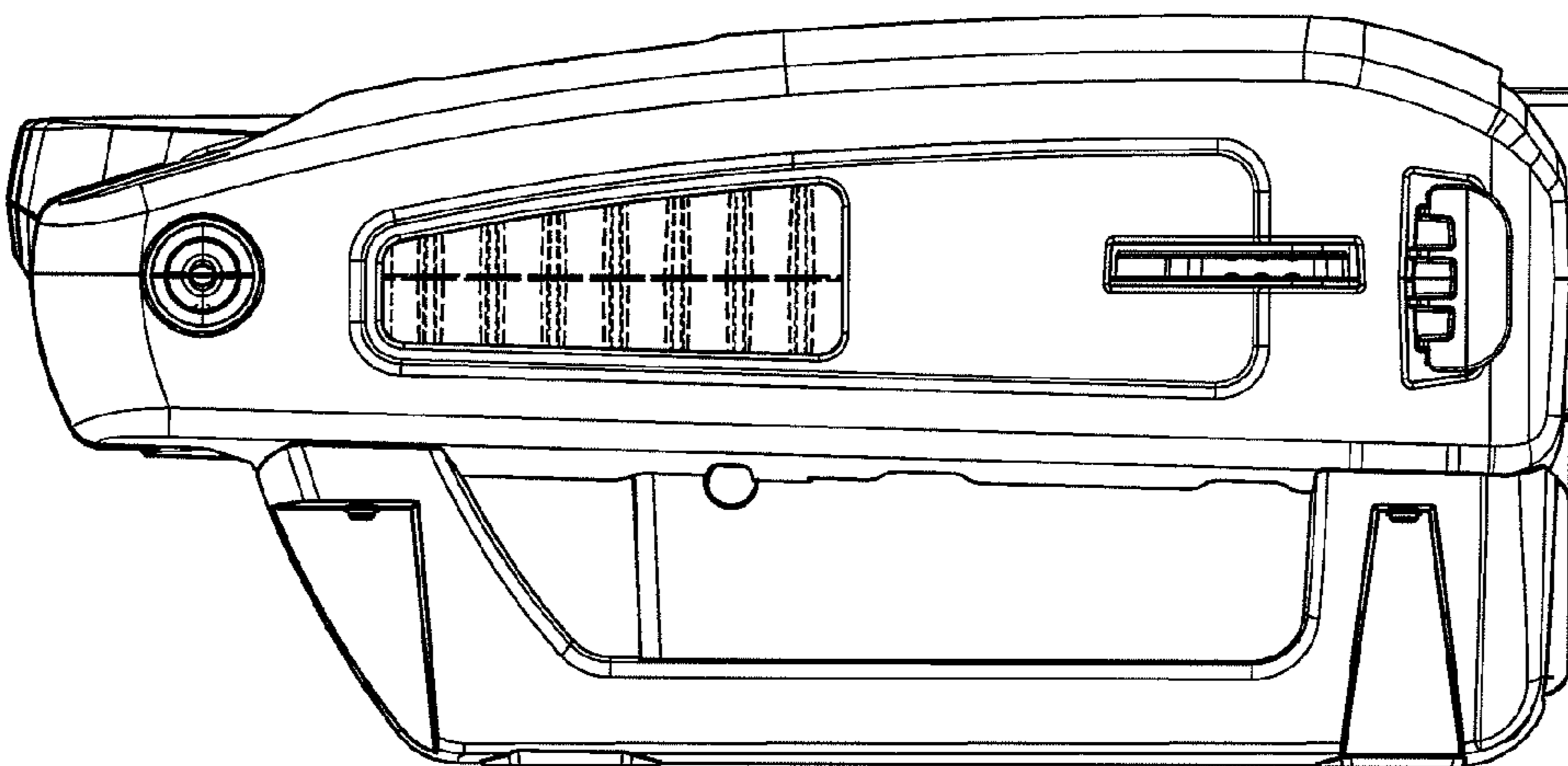


Fig. 5

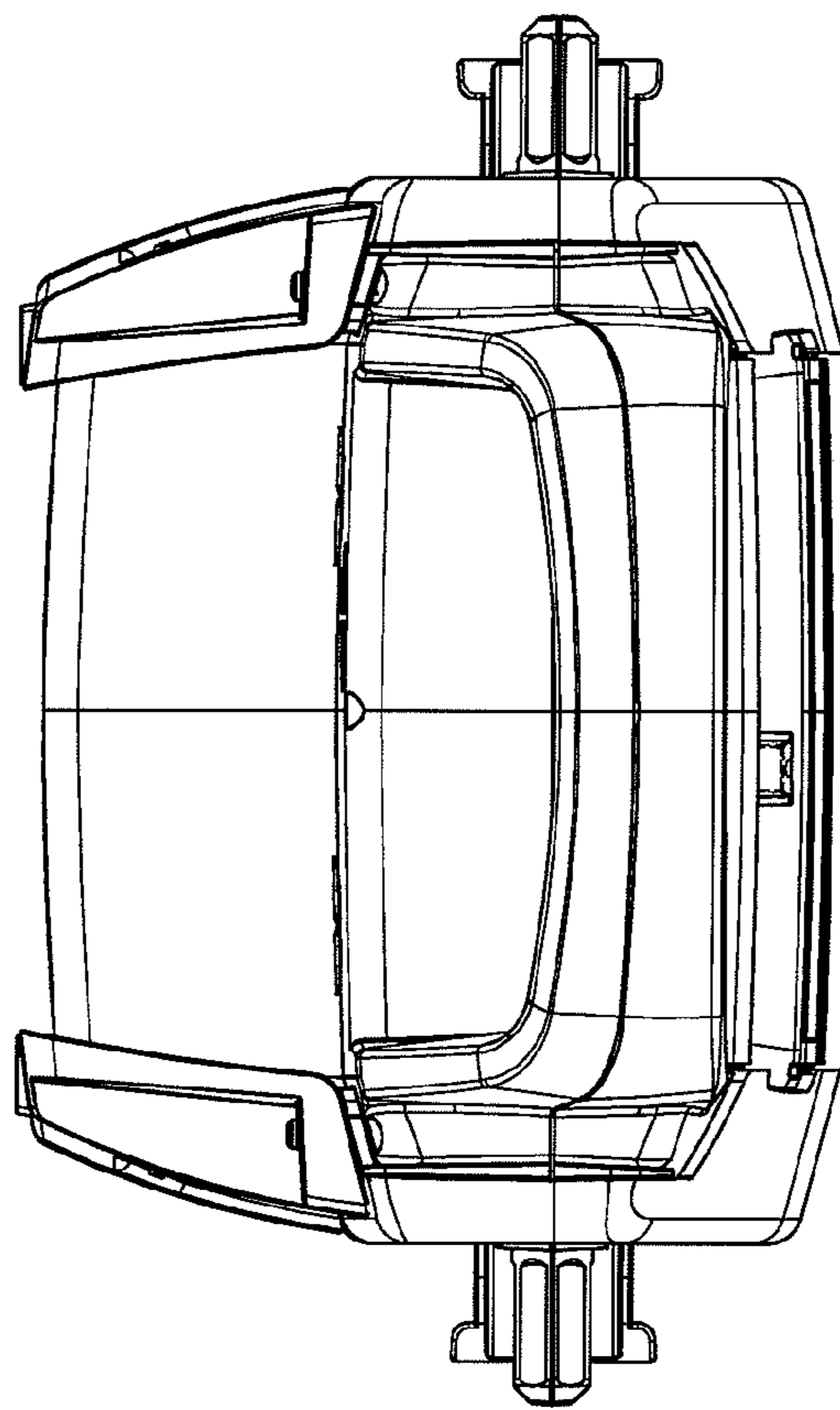


Fig. 7