



US00D654859S

(12) **United States Design Patent**
Callender

(10) **Patent No.:** **US D654,859 S**

(45) **Date of Patent:** **** Feb. 28, 2012**

(54) **ELECTRIC VEHICLE SUPPLY EQUIPMENT**

(75) Inventor: **Matthew Hans Callender**, Pasadena, CA (US)

(73) Assignee: **AeroVironment, Inc.**, Monrovia, CA (US)

(**) Term: **14 Years**

(21) Appl. No.: **29/383,594**

(22) Filed: **Jan. 20, 2011**

(51) **LOC (9) Cl.** **13-02**

(52) **U.S. Cl.** **D13/107**

(58) **Field of Classification Search** D13/106–110, D13/118–119, 184, 199; D15/9; 320/103–115
See application file for complete search history.

(56) **References Cited**

U.S. PATENT DOCUMENTS

D237,718	S	*	11/1975	Bozich	D13/139.5
D290,599	S	*	6/1987	Wyatt	D13/139.5
D431,477	S	*	10/2000	Stekelenburg	D10/40
6,459,234	B2	*	10/2002	Kajiura	320/109
D608,731	S	*	1/2010	Amit	D13/107
D608,734	S	*	1/2010	Smith	D13/107
D626,063	S	*	10/2010	Cutter et al.	D13/107
D632,645	S	*	2/2011	Blain	D13/107
D634,267	S	*	3/2011	Blain	D13/107
D641,317	S	*	7/2011	Schneiderat	D13/107
2010/0053943	A1	*	3/2010	Zick	362/183
2011/0145141	A1	*	6/2011	Blain	705/39
2011/0169447	A1	*	7/2011	Brown et al.	320/109

* cited by examiner

Primary Examiner — Rosemary K Tarcza

(74) *Attorney, Agent, or Firm* — Christopher R. Balzan; Eric J. Aagaard

(57) **CLAIM**

I claim the ornamental design for an electric vehicle supply equipment, as shown and described.

DESCRIPTION

FIG. 1 is a front-right perspective view of an embodiment of an electric vehicle supply equipment;

FIG. 2 is a front view of the electric vehicle supply equipment of FIG. 1;

FIG. 3 is a right side view of the electric vehicle supply equipment of FIG. 1;

FIG. 4 is a left side view of the electric vehicle supply equipment of FIG. 1;

FIG. 5 is a rear view of the electric vehicle supply equipment of FIG. 1;

FIG. 6 is a top view of the electric vehicle supply equipment of FIG. 1;

FIG. 7 is a bottom view of the electric vehicle supply equipment of FIG. 1;

FIG. 8 is a front-right perspective view of a further embodiment of an electric vehicle supply equipment;

FIG. 9 is a front view of the electric vehicle supply equipment of FIG. 8;

FIG. 10 is a right side view of the electric vehicle supply equipment of FIG. 8;

FIG. 11 is a left side view of the electric vehicle supply equipment of FIG. 8;

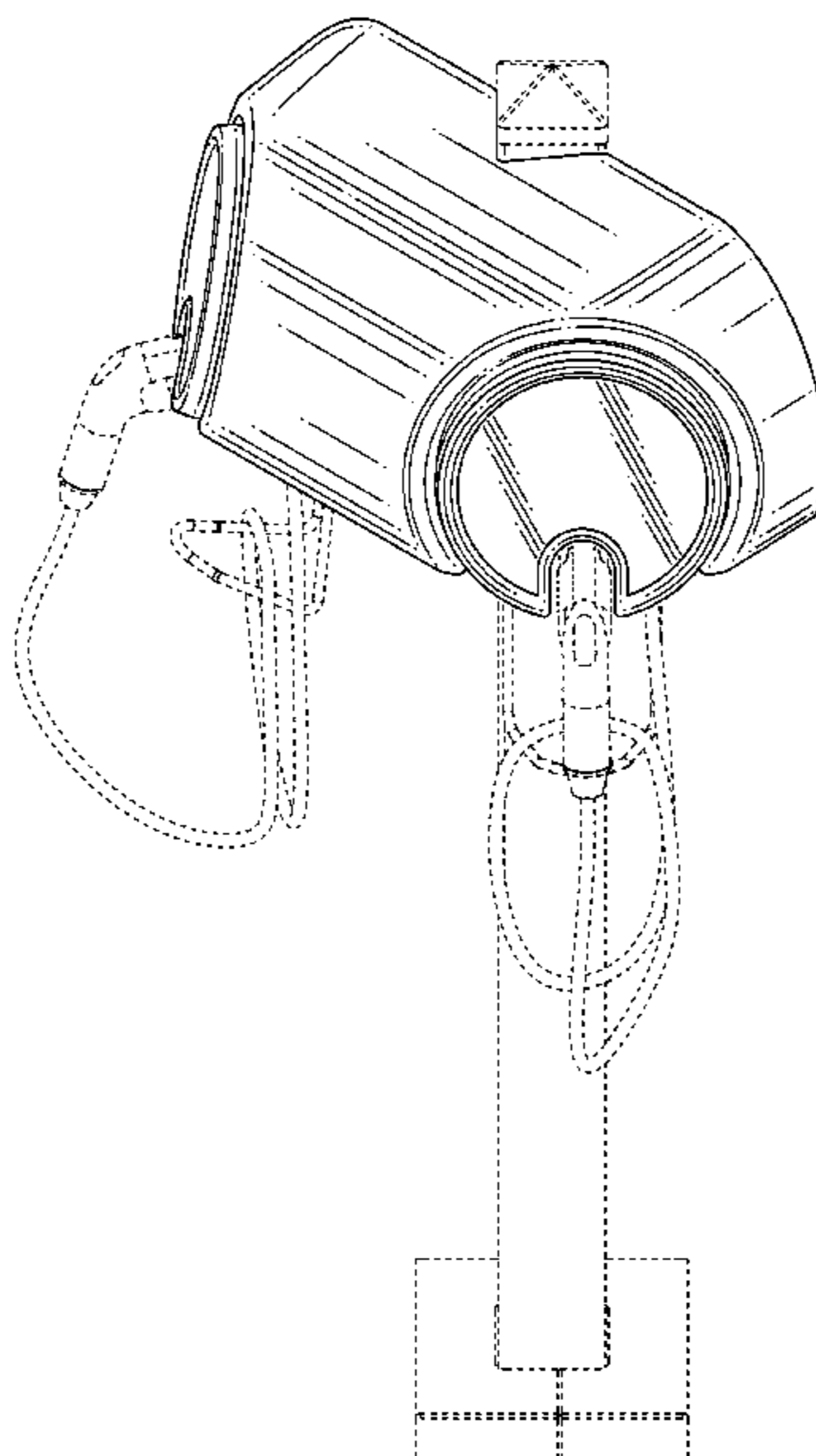
FIG. 12 is a rear view of the electric vehicle supply equipment of FIG. 8;

FIG. 13 is a top view of the electric vehicle supply equipment of FIG. 8; and,

FIG. 14 is a bottom view of the electric vehicle supply equipment of FIG. 8.

The broken lines shown in the drawings are included for the purpose of illustrating unclaimed portions of the electric vehicle supply equipment and form no part of the claimed design.

1 Claim, 13 Drawing Sheets



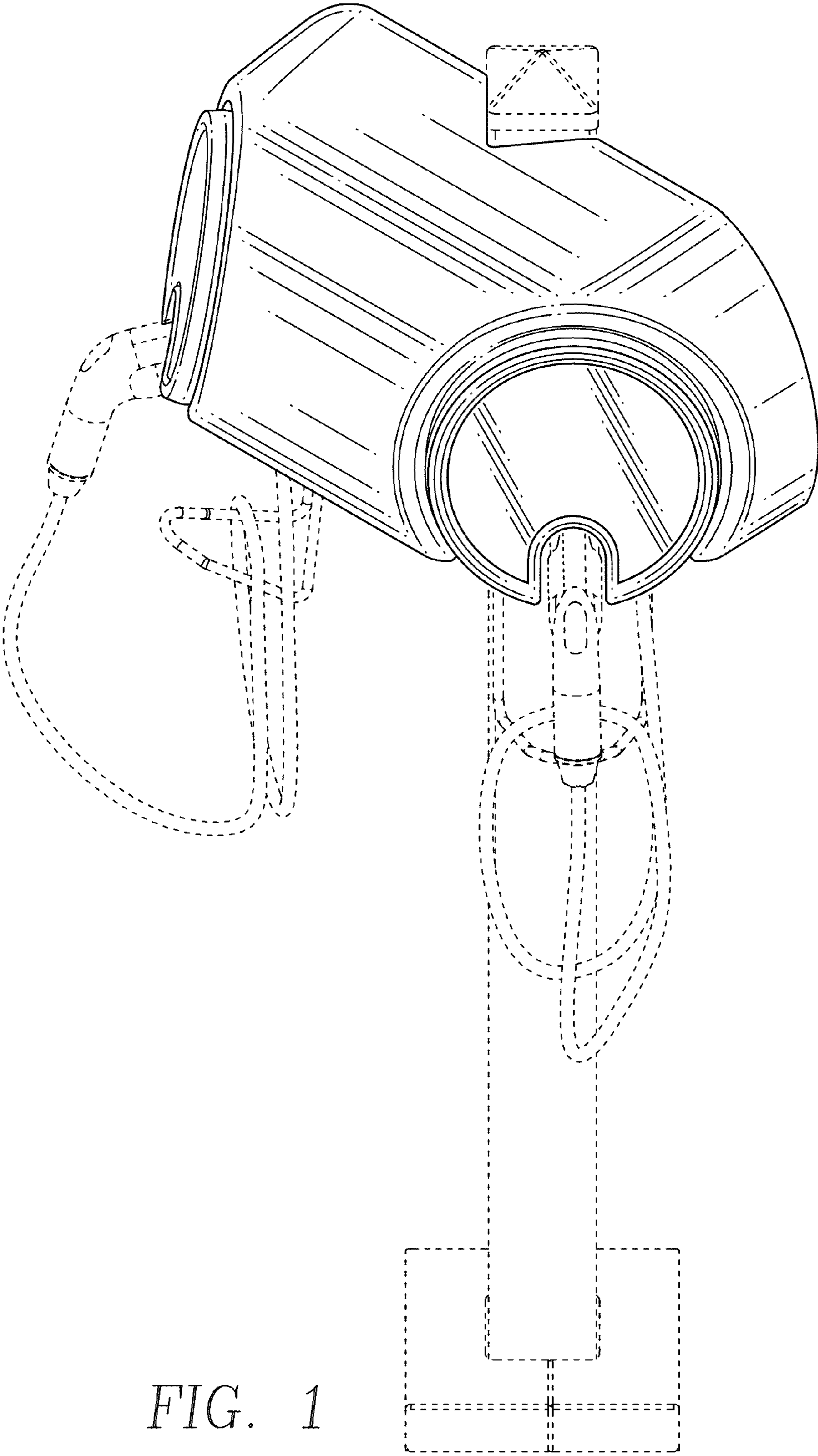


FIG. 1

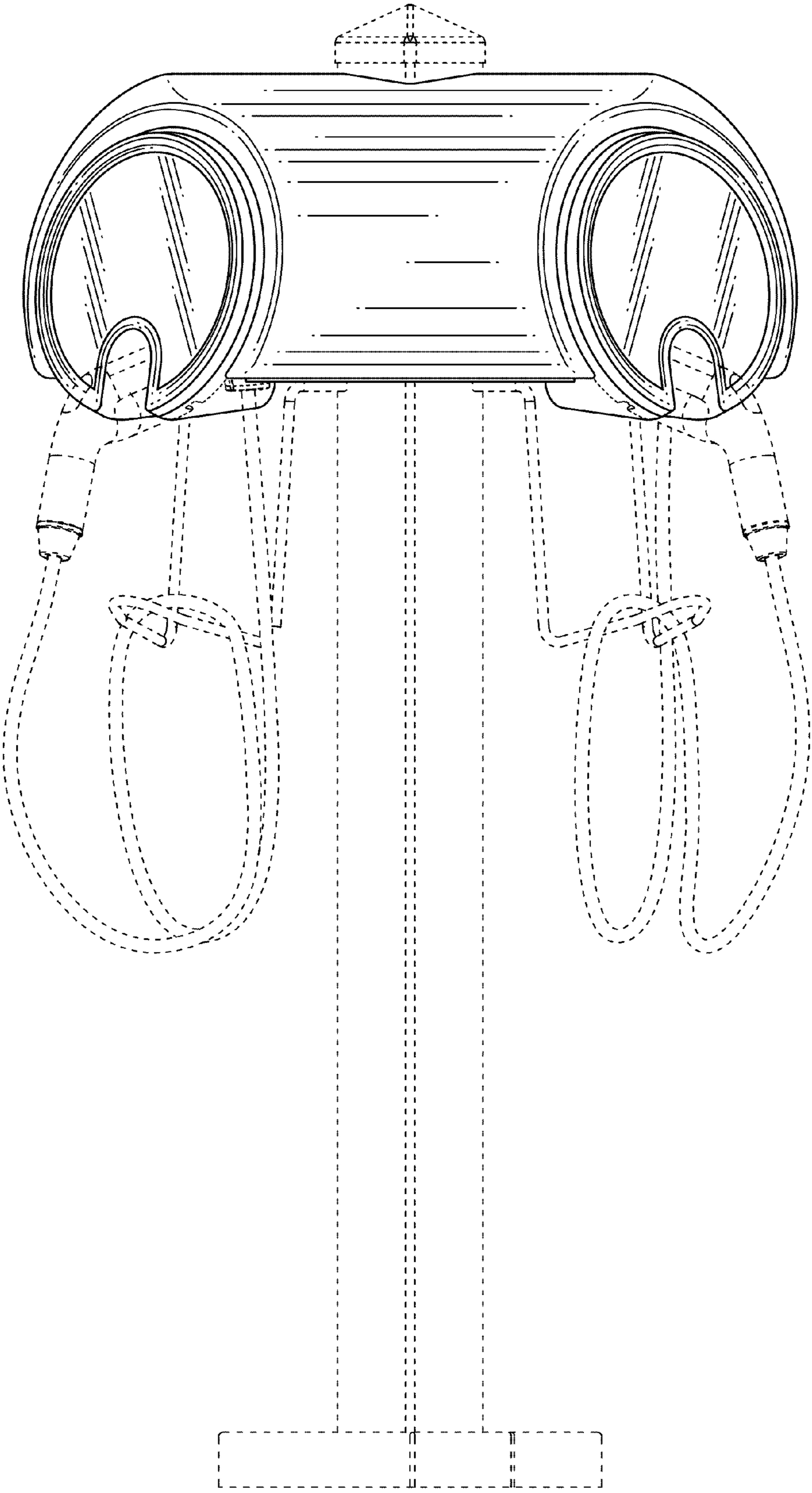


FIG. 2

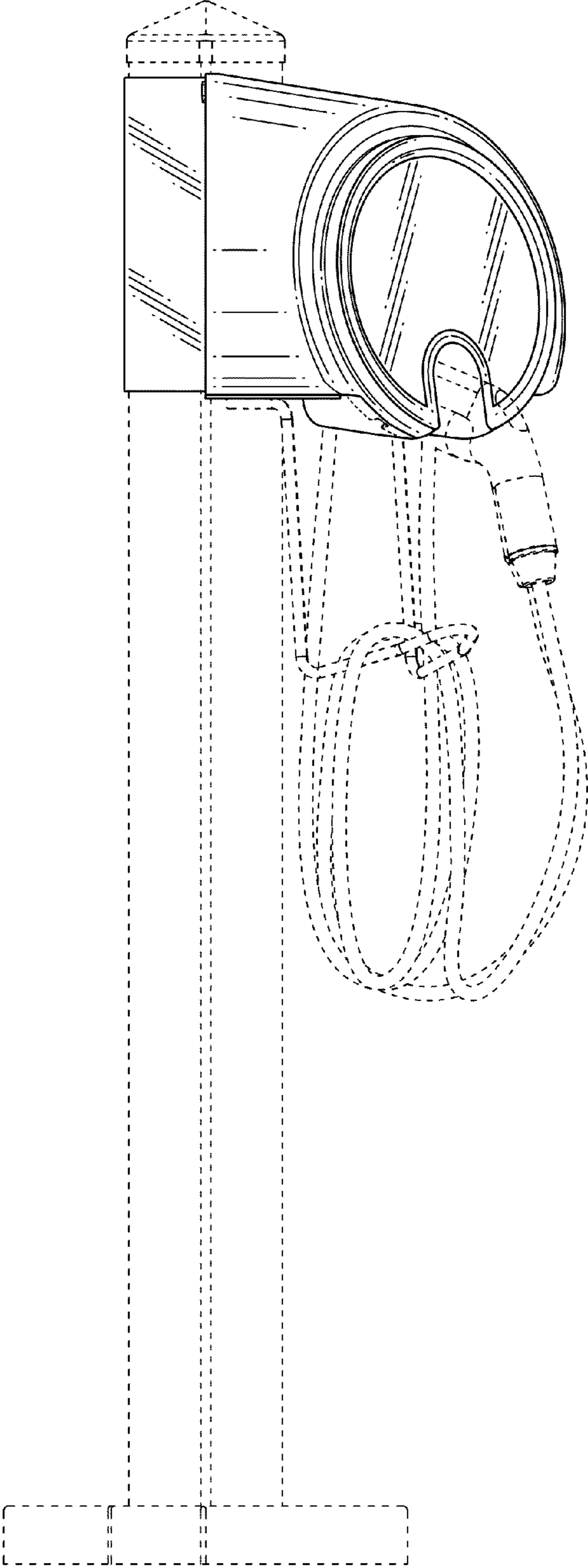


FIG. 3

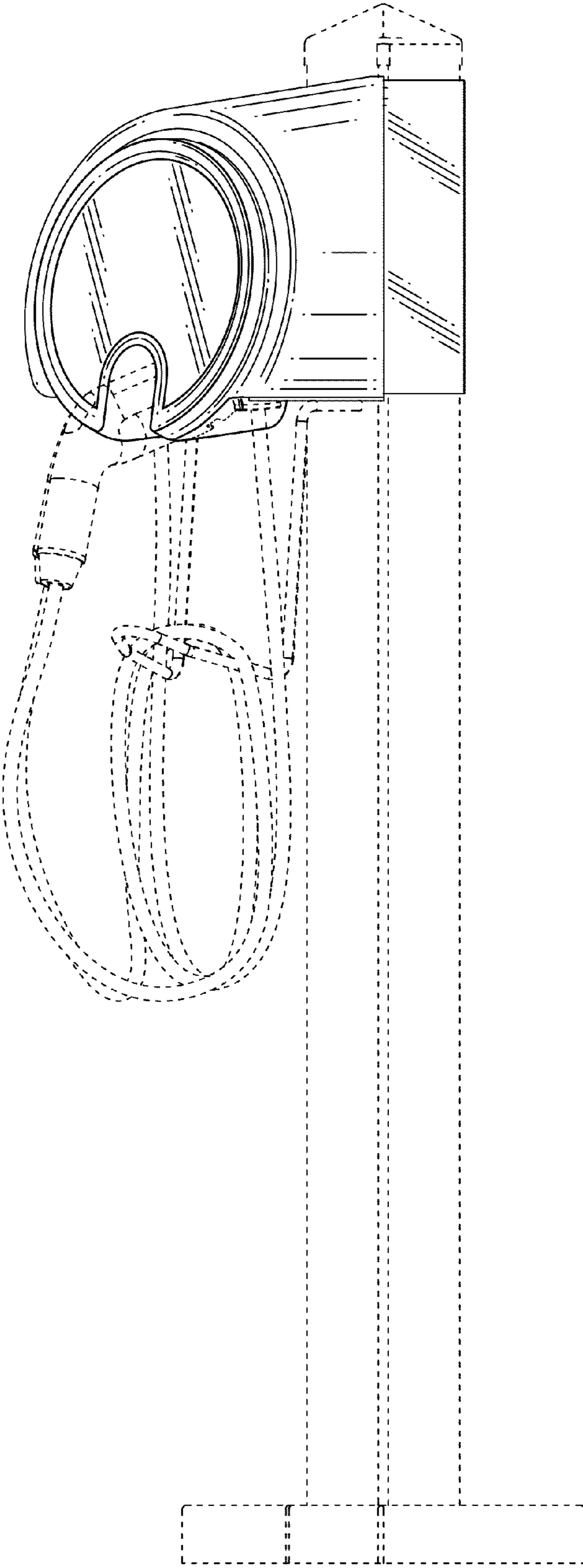


FIG. 4

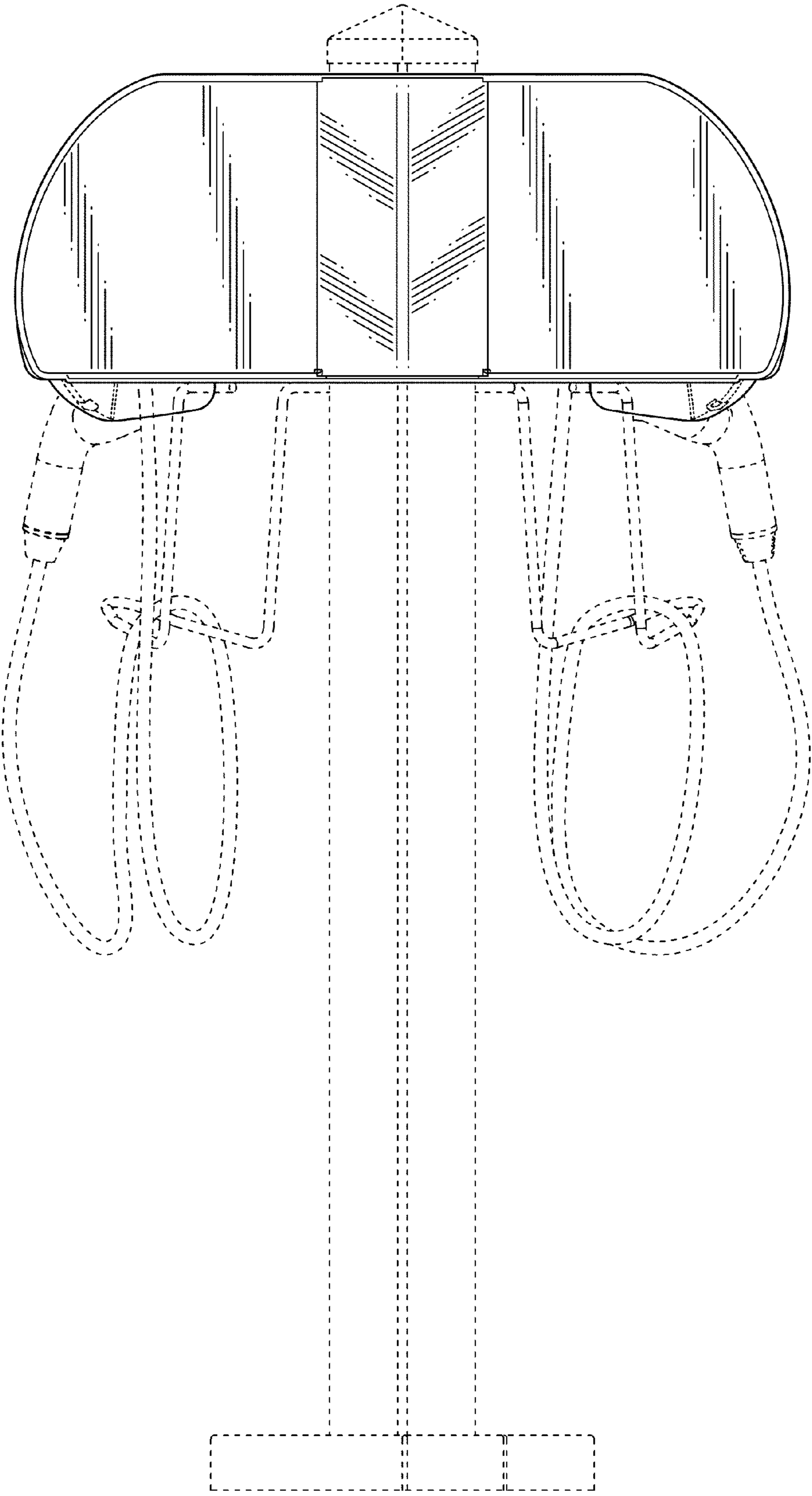


FIG. 5

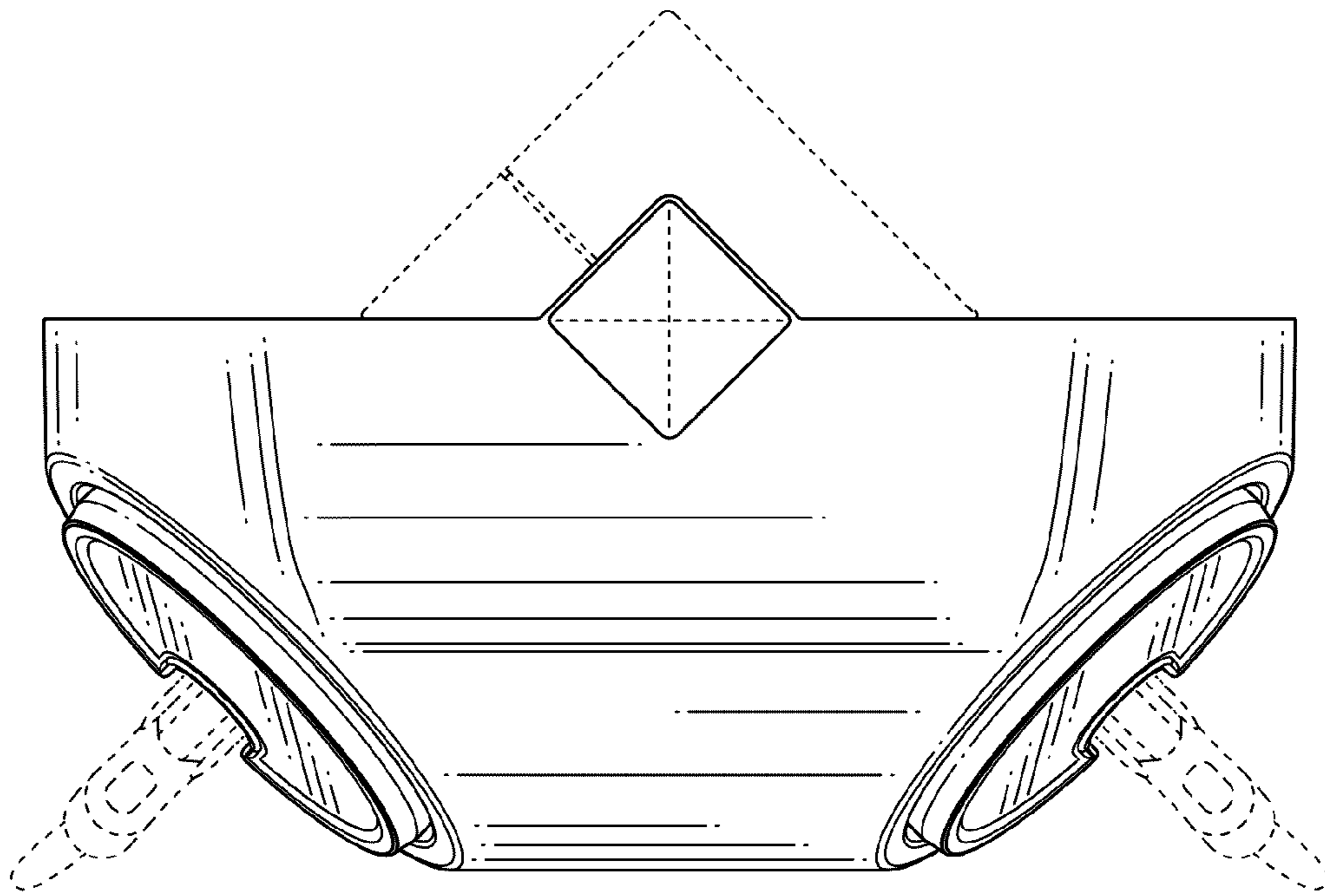


FIG. 6

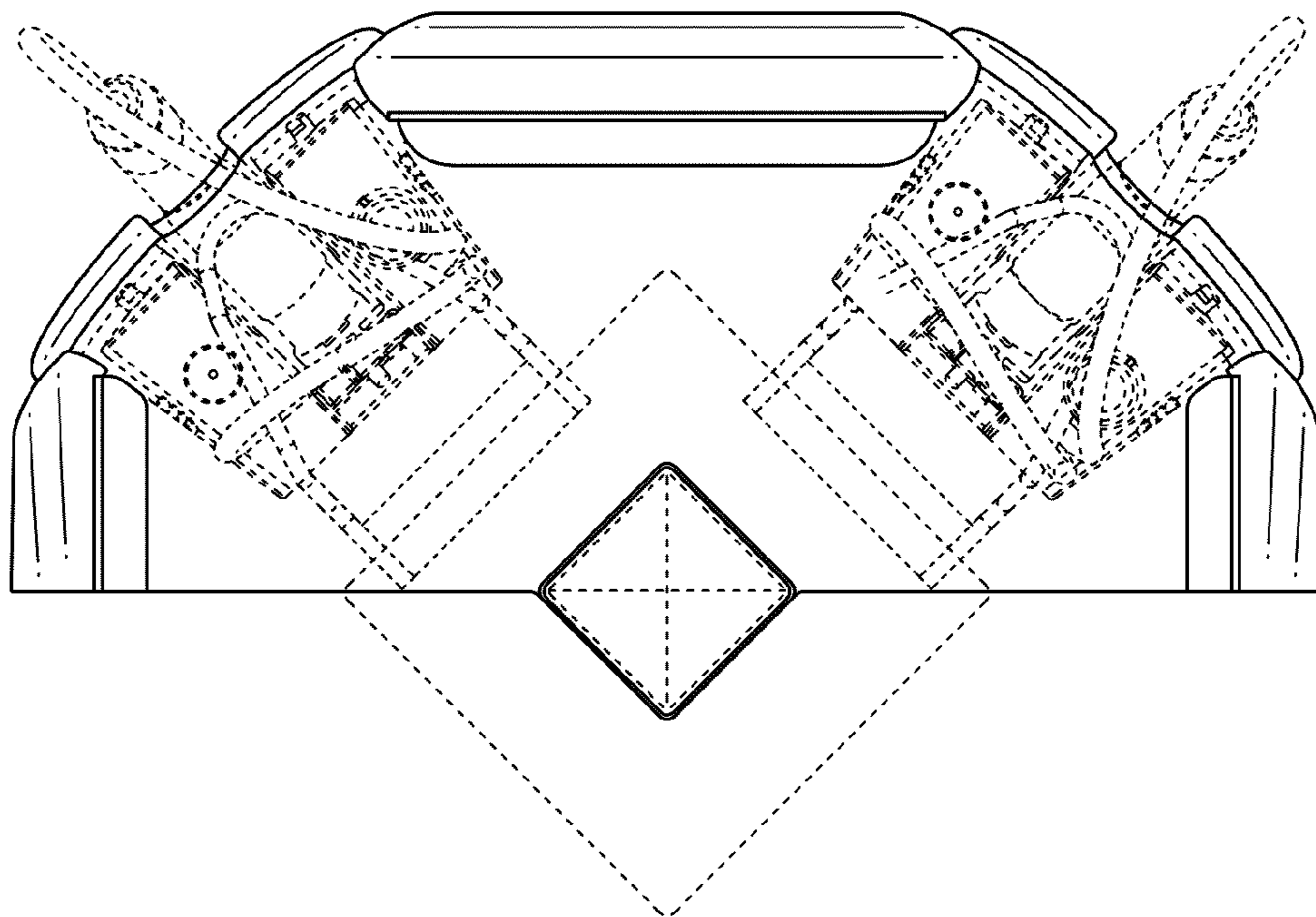


FIG. 7

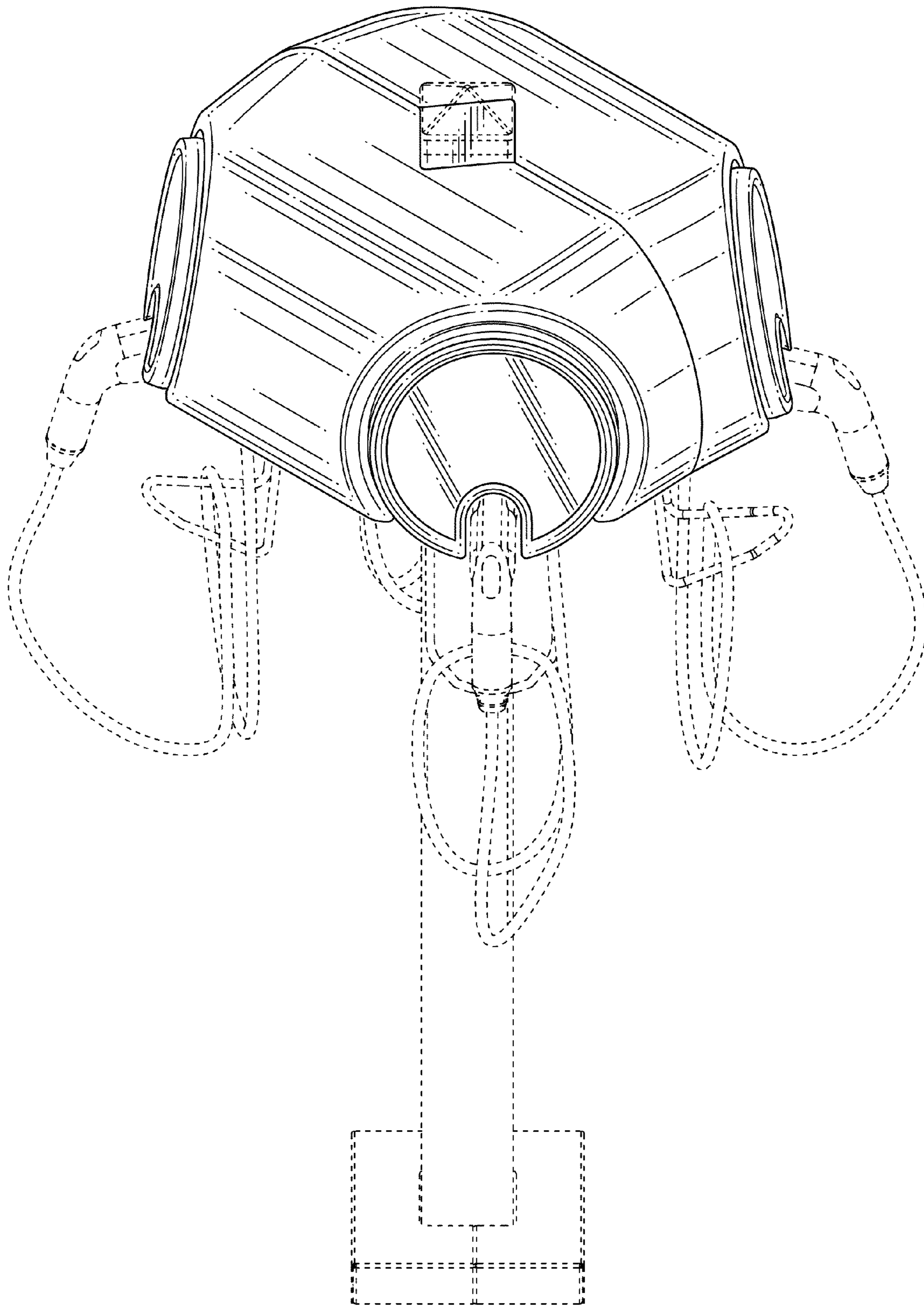


FIG. 8

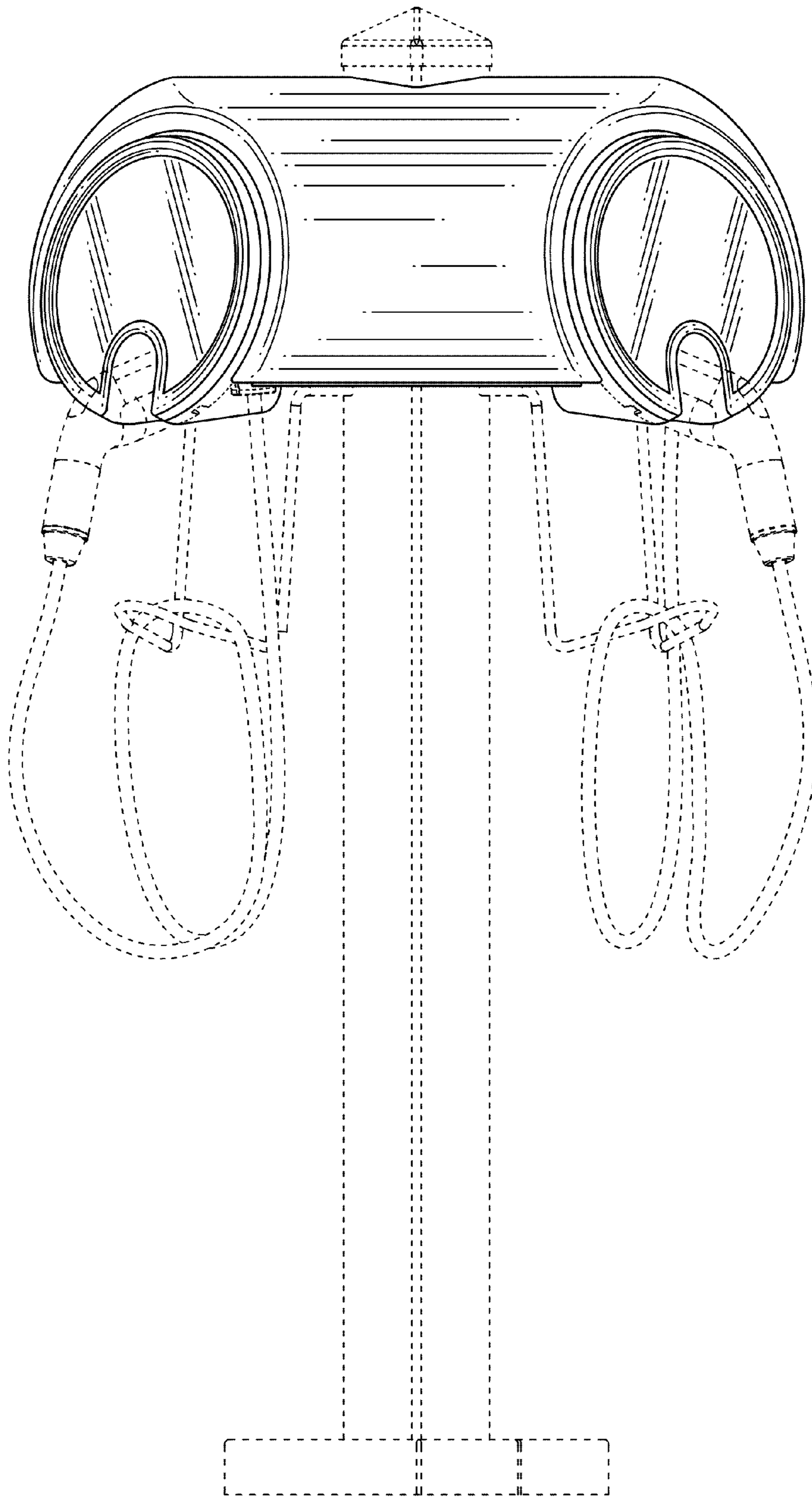


FIG. 9

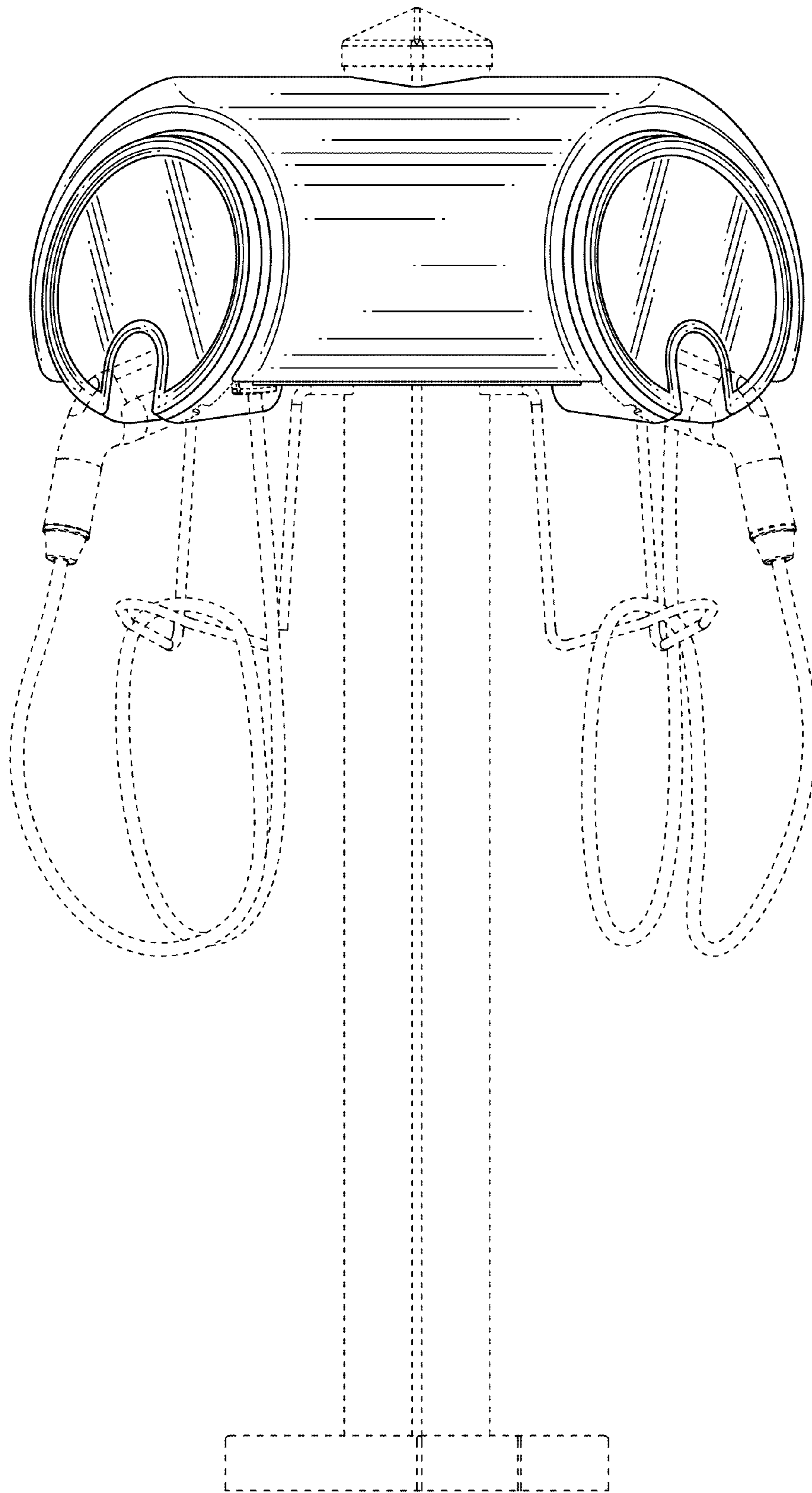


FIG. 10

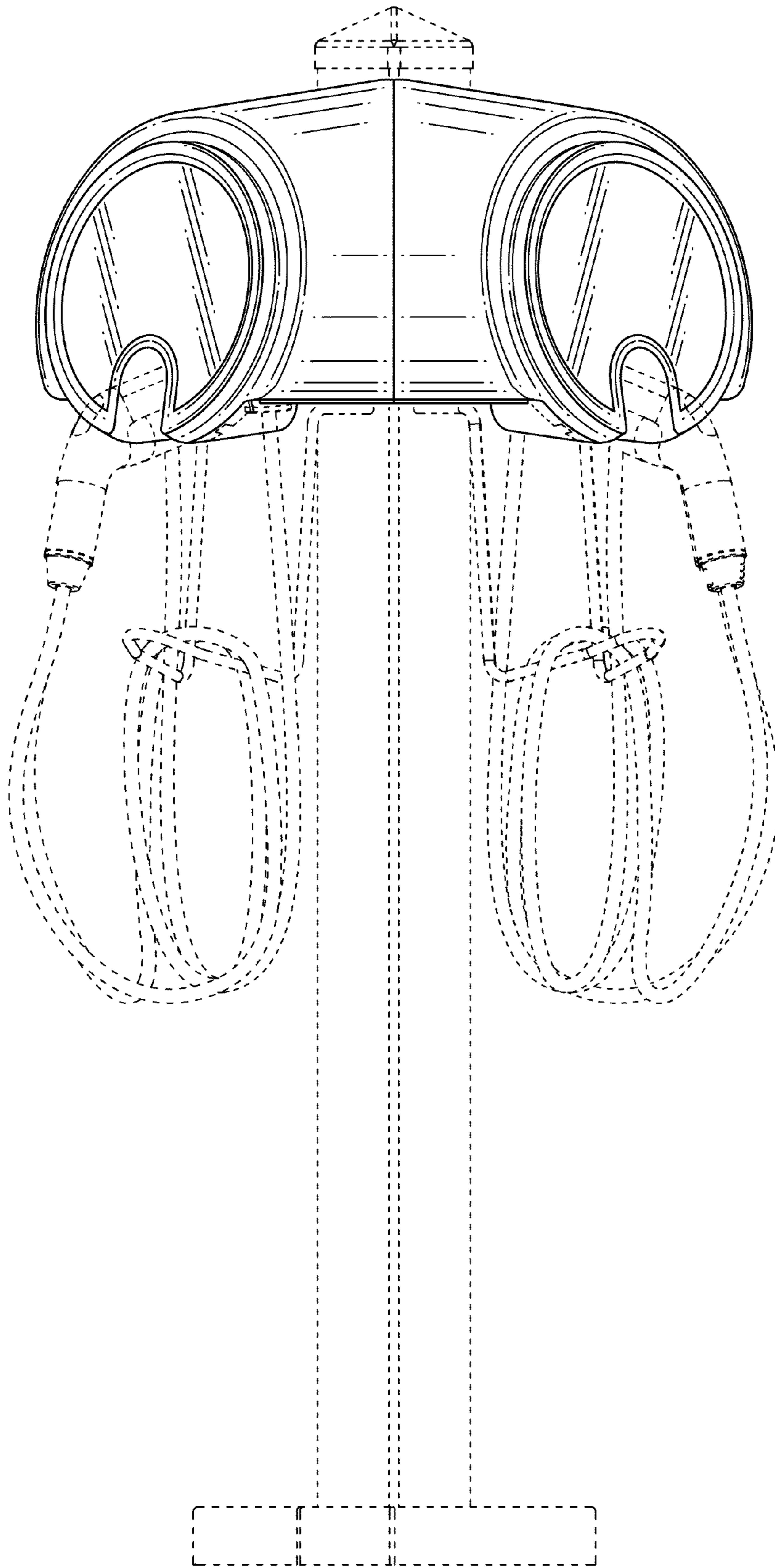


FIG. 11

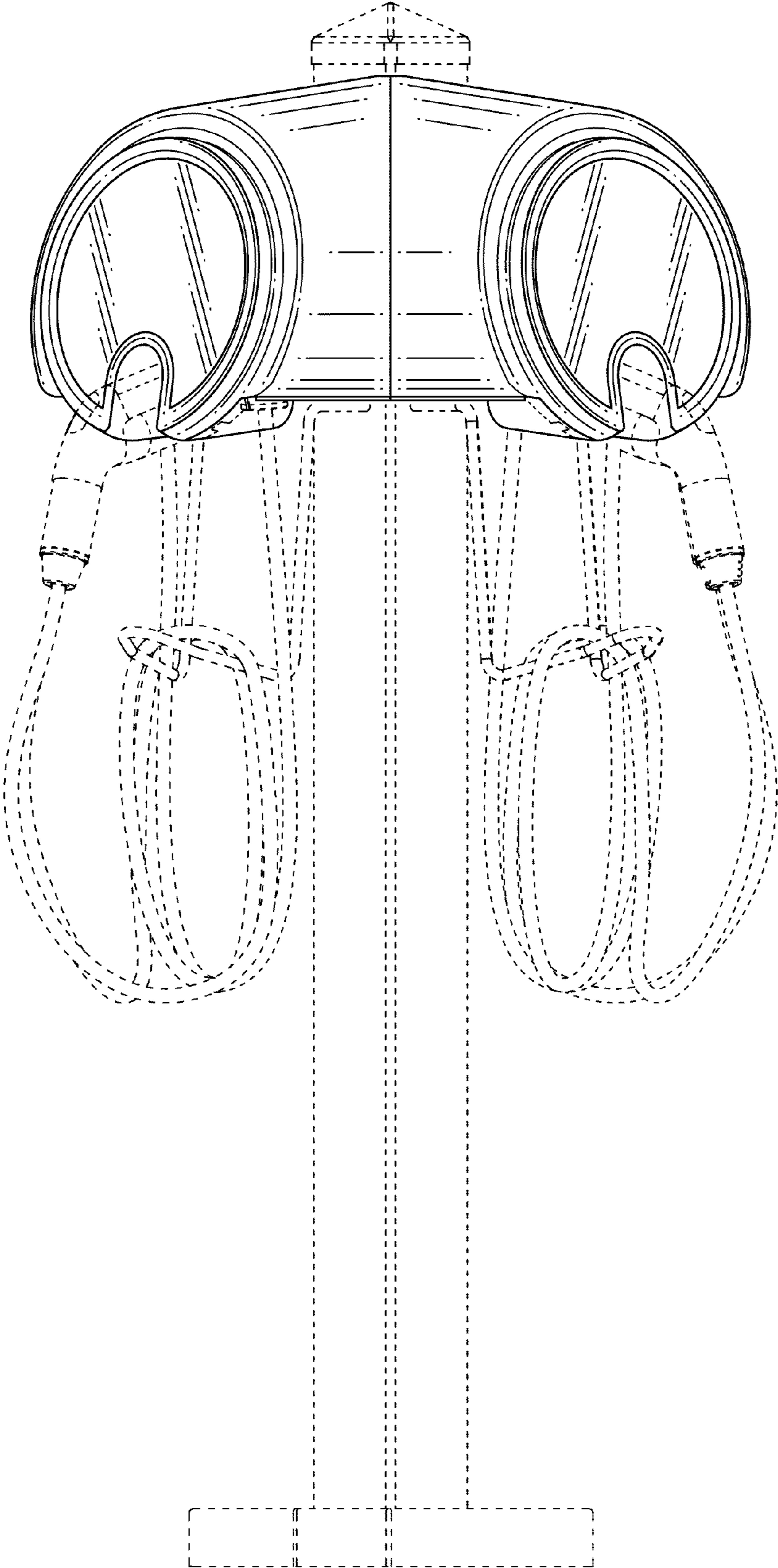


FIG. 12

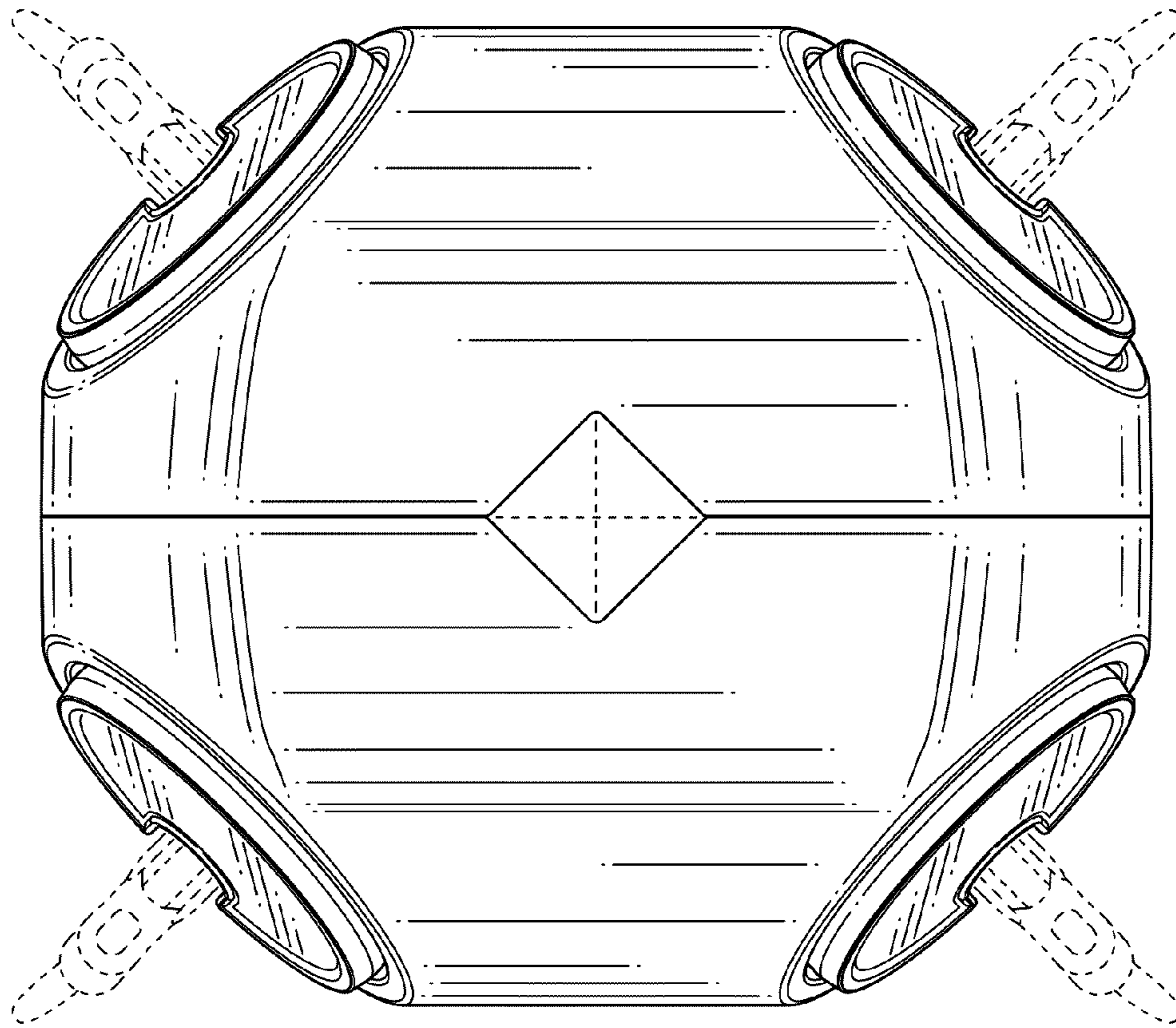


FIG. 13

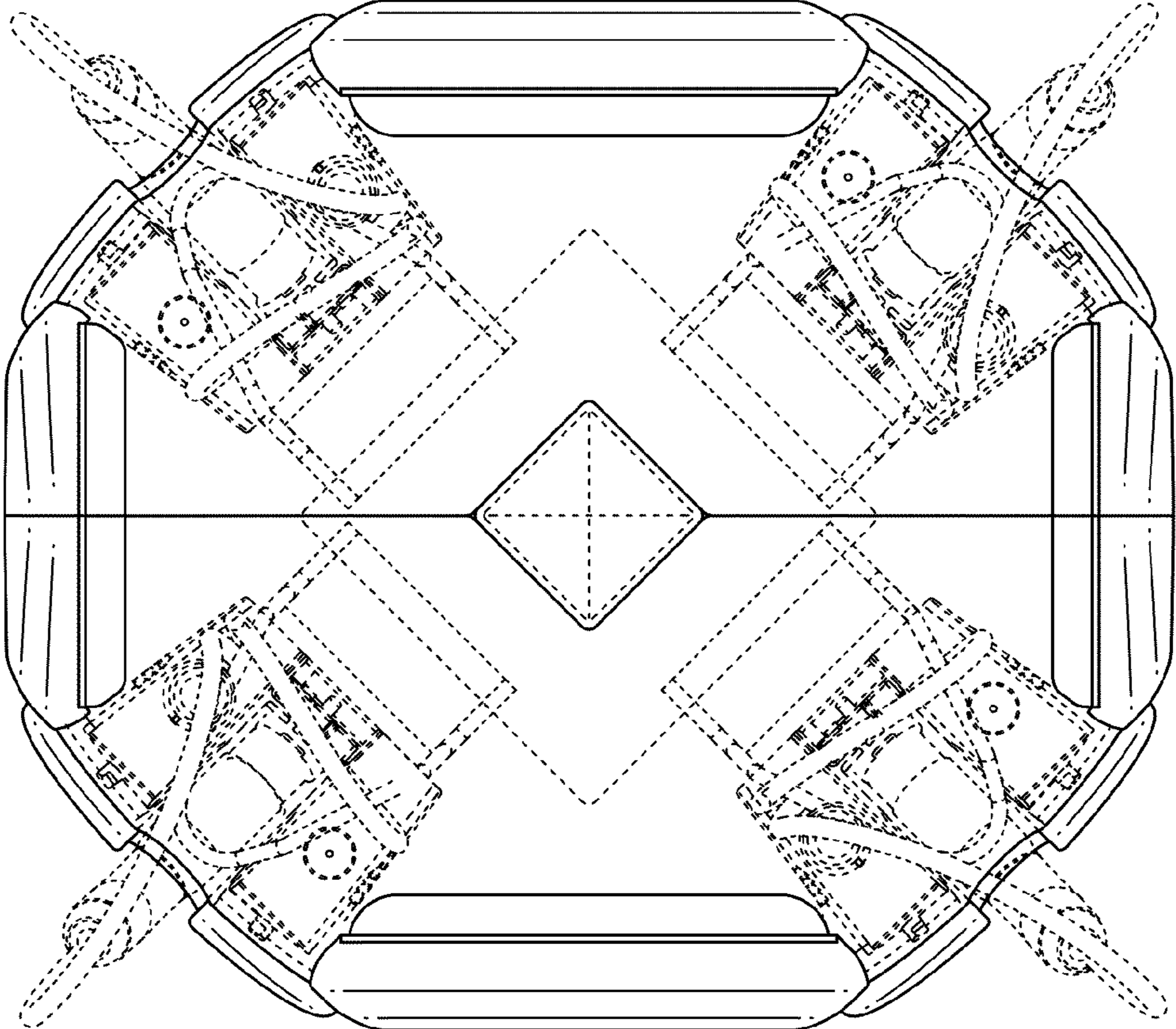


FIG. 14

UNITED STATES PATENT AND TRADEMARK OFFICE
CERTIFICATE OF CORRECTION

PATENT NO. : D654,859 S
APPLICATION NO. : 29/383594
DATED : February 28, 2012
INVENTOR(S) : Matthew Hans Callender

Page 1 of 1

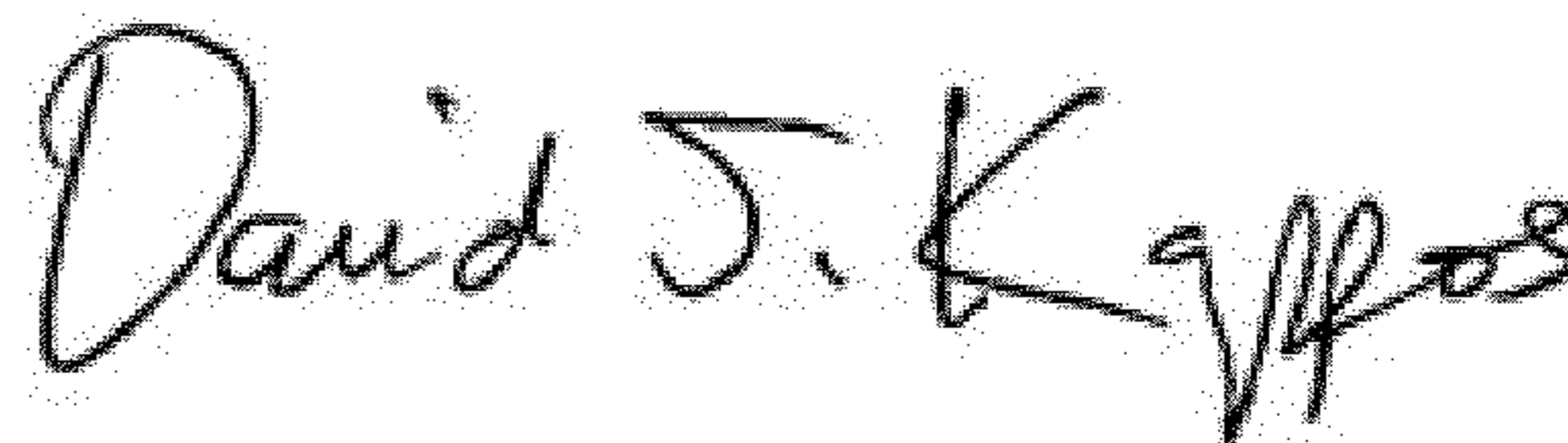
It is certified that error appears in the above-identified patent and that said Letters Patent is hereby corrected as shown below:

Title Page

In the Description, FIG. 10 should be described as --rear view--, so the words "right side view" should be replaced by --rear view-- in the description of FIG. 10.

In the Description, FIG. 12 should be described as --right side view--, so the words "rear view" should be replaced by --right side view-- in the description of FIG. 12.

Signed and Sealed this
Second Day of October, 2012

A handwritten signature in black ink that reads "David J. Kappos". The signature is written in a cursive, slightly slanted style.

David J. Kappos
Director of the United States Patent and Trademark Office