



US00D654858S

(12) **United States Design Patent**
Salazar et al.

(10) **Patent No.:** **US D654,858 S**

(45) **Date of Patent:** **** Feb. 28, 2012**

(54) **ELECTRIC VEHICLE SUPPLY EQUIPMENT**

(75) Inventors: **Jeff Salazar**, Palo Alto, CA (US); **Lea Sandra Kobeli**, San Francisco, CA (US)

(73) Assignee: **AeroVironment, Inc.**, Monrovia, CA (US)

(**) Term: **14 Years**

(21) Appl. No.: **29/380,487**

(22) Filed: **Dec. 6, 2010**

(51) **LOC (9) Cl.** **13-02**

(52) **U.S. Cl.** **D13/107**

(58) **Field of Classification Search** D13/103–104,
D13/106–110, 118–119, 184, 199; D15/9;
320/103–115

See application file for complete search history.

(56) **References Cited**

U.S. PATENT DOCUMENTS

| | | | | |
|----------------|---------|----------------|-------|---------|
| D597,937 S * | 8/2009 | Haw et al. | | D13/107 |
| D608,731 S * | 1/2010 | Amit | | D13/107 |
| D608,733 S * | 1/2010 | Smith | | D13/107 |
| D613,683 S * | 4/2010 | Baxter et al. | | D13/107 |
| D618,168 S * | 6/2010 | Baxter et al. | | D13/107 |
| 7,804,274 B2 * | 9/2010 | Baxter et al. | | 320/109 |
| D628,960 S * | 12/2010 | Shimizu et al. | | D13/107 |
| D629,747 S * | 12/2010 | Rajakaruna | | D13/107 |
| D632,645 S * | 2/2011 | Blain | | D13/107 |
| D634,267 S * | 3/2011 | Blain | | D13/107 |

| | | | | |
|-------------------|--------|---------------|-------|---------|
| 7,952,325 B2 * | 5/2011 | Baxter et al. | | 320/109 |
| 2011/0145141 A1 * | 6/2011 | Blain | | 705/39 |
| 2011/0174875 A1 * | 7/2011 | Wurzer | | 235/380 |

* cited by examiner

Primary Examiner — Rosemary K Tarcza

(74) *Attorney, Agent, or Firm* — Christopher R. Balzan; Eric J. Aagaard

(57) **CLAIM**

The ornamental design for an electric vehicle supply equipment, as shown and described.

DESCRIPTION

FIG. 1 is a front right perspective view of an embodiment of an electric vehicle supply equipment;

FIG. 2 is a front view of the electric vehicle supply equipment of FIG. 1;

FIG. 3 is a left side view of the electric vehicle supply equipment of FIG. 1;

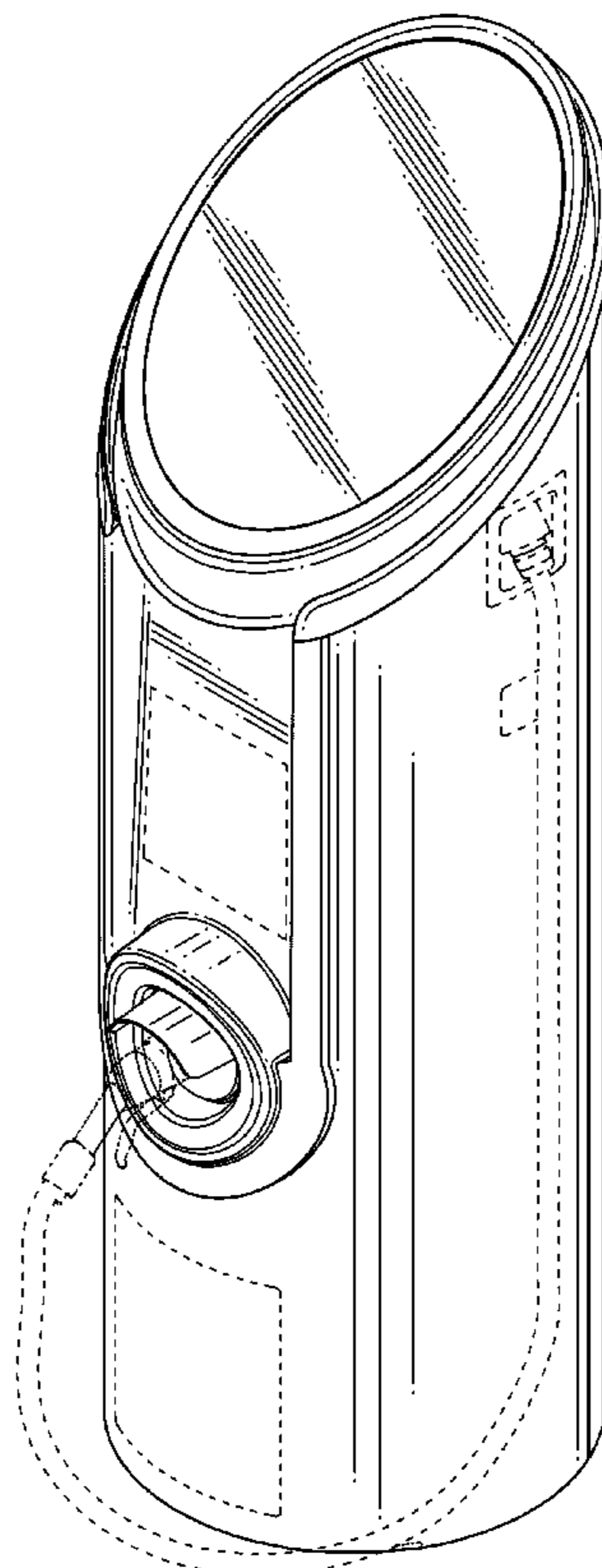
FIG. 4 is a right side view of the electric vehicle supply equipment of FIG. 1;

FIG. 5 is a rear view of the electric vehicle supply equipment of FIG. 1; and,

FIG. 6 is a top view of the electric vehicle supply equipment of FIG. 1.

The broken lines shown in the drawings are included for the purpose of illustrating unclaimed portions of the electric vehicle supply equipment and form no part of the claimed design.

1 Claim, 6 Drawing Sheets



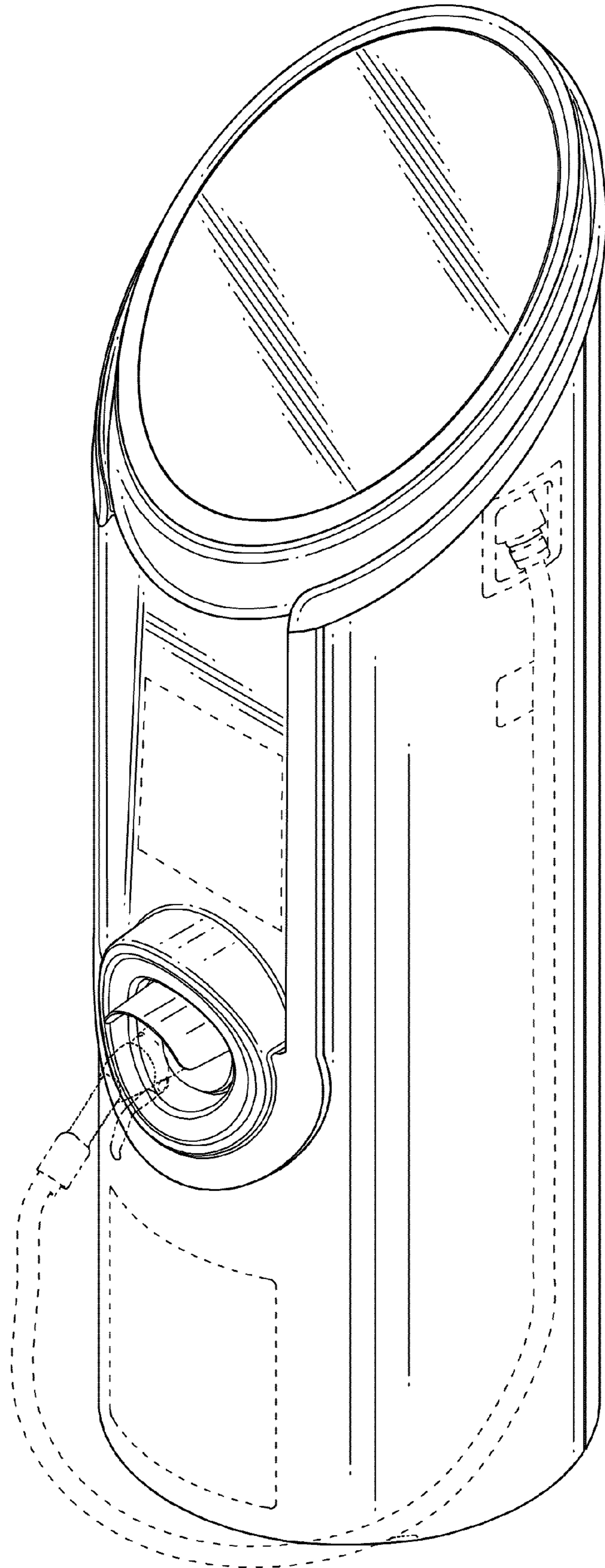


FIG. 1

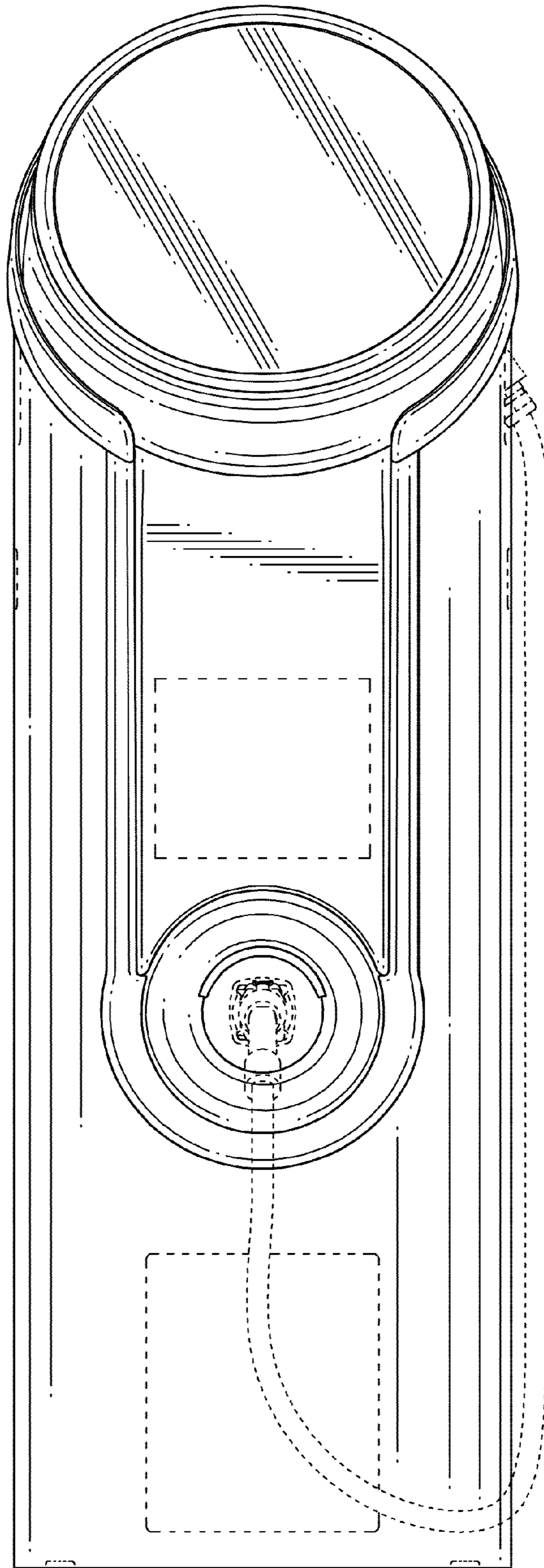


FIG. 2

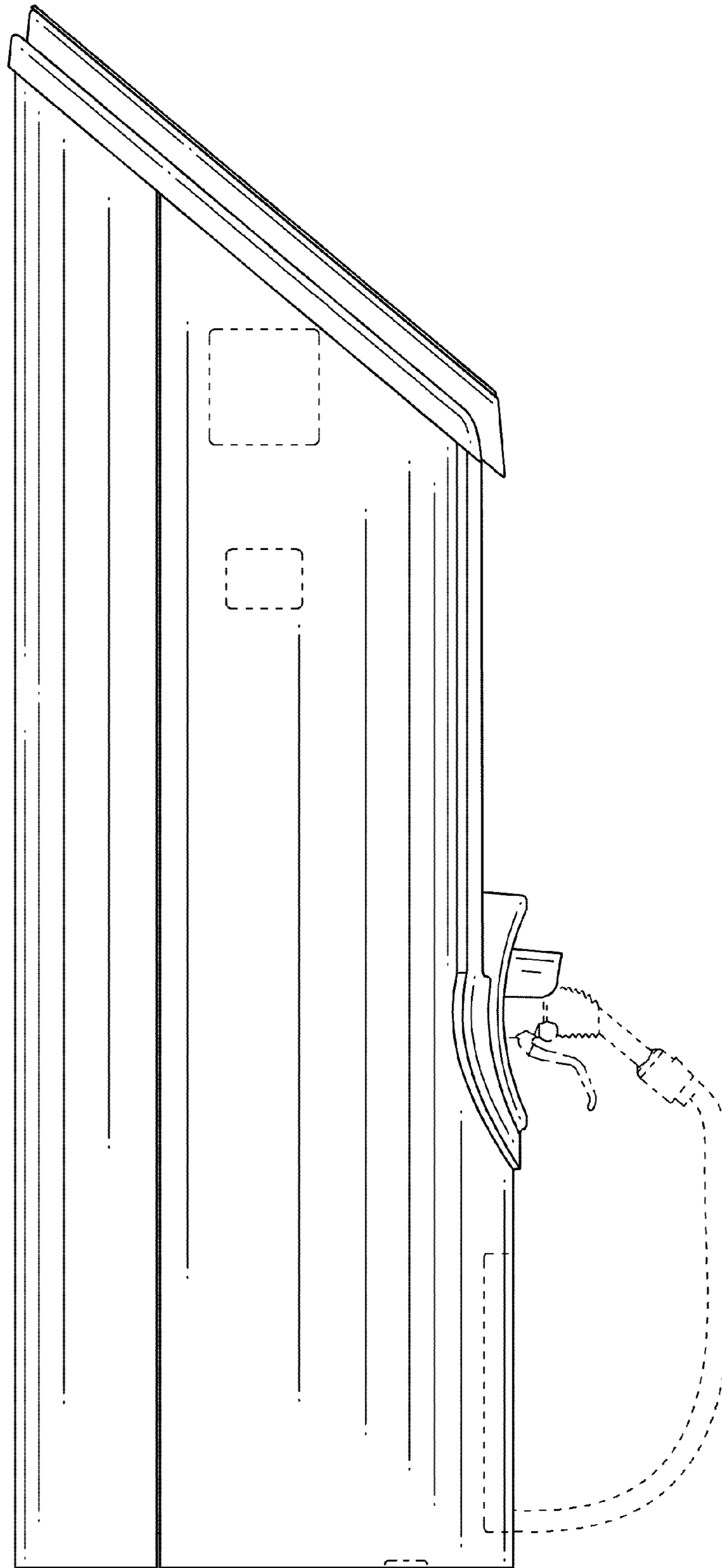


FIG. 3

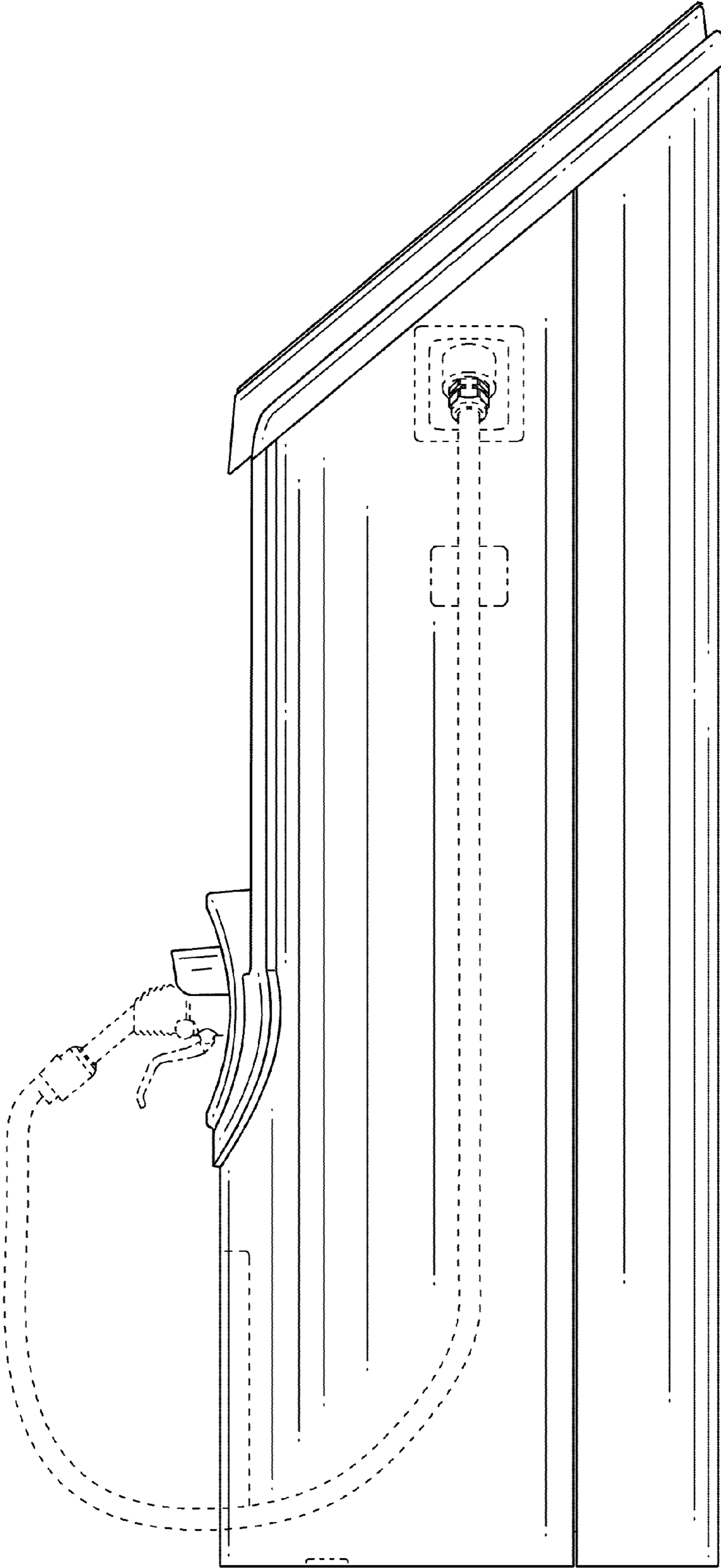


FIG. 4

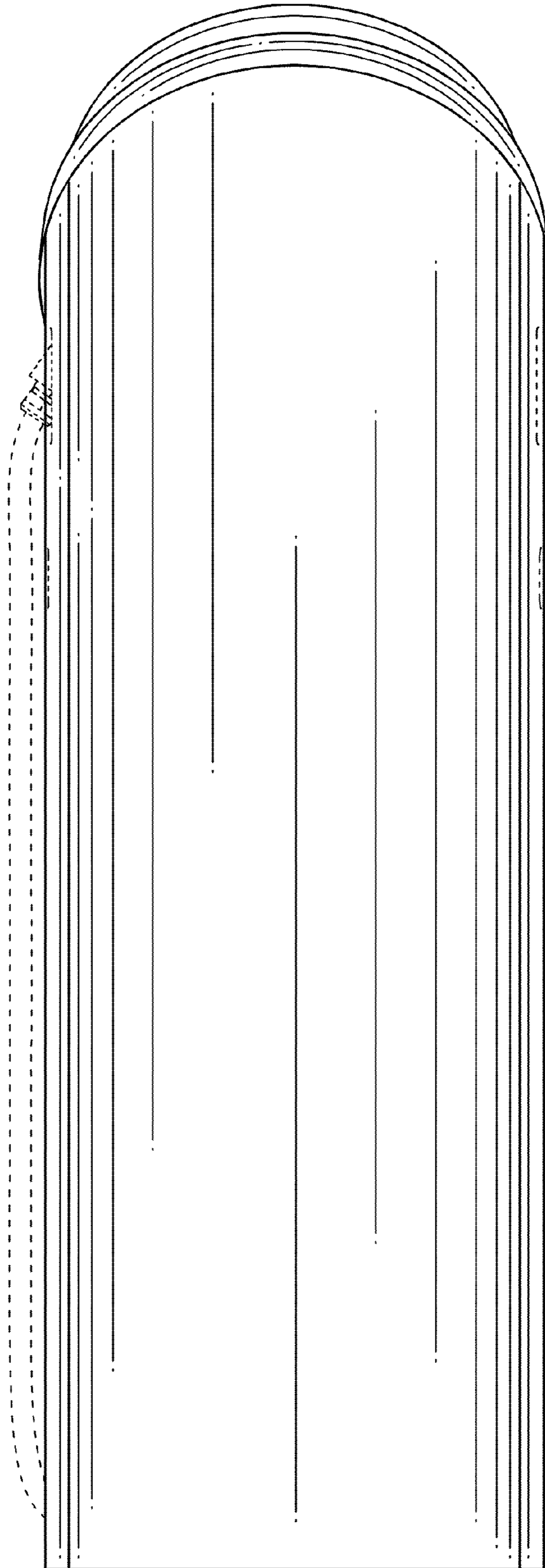


FIG. 5

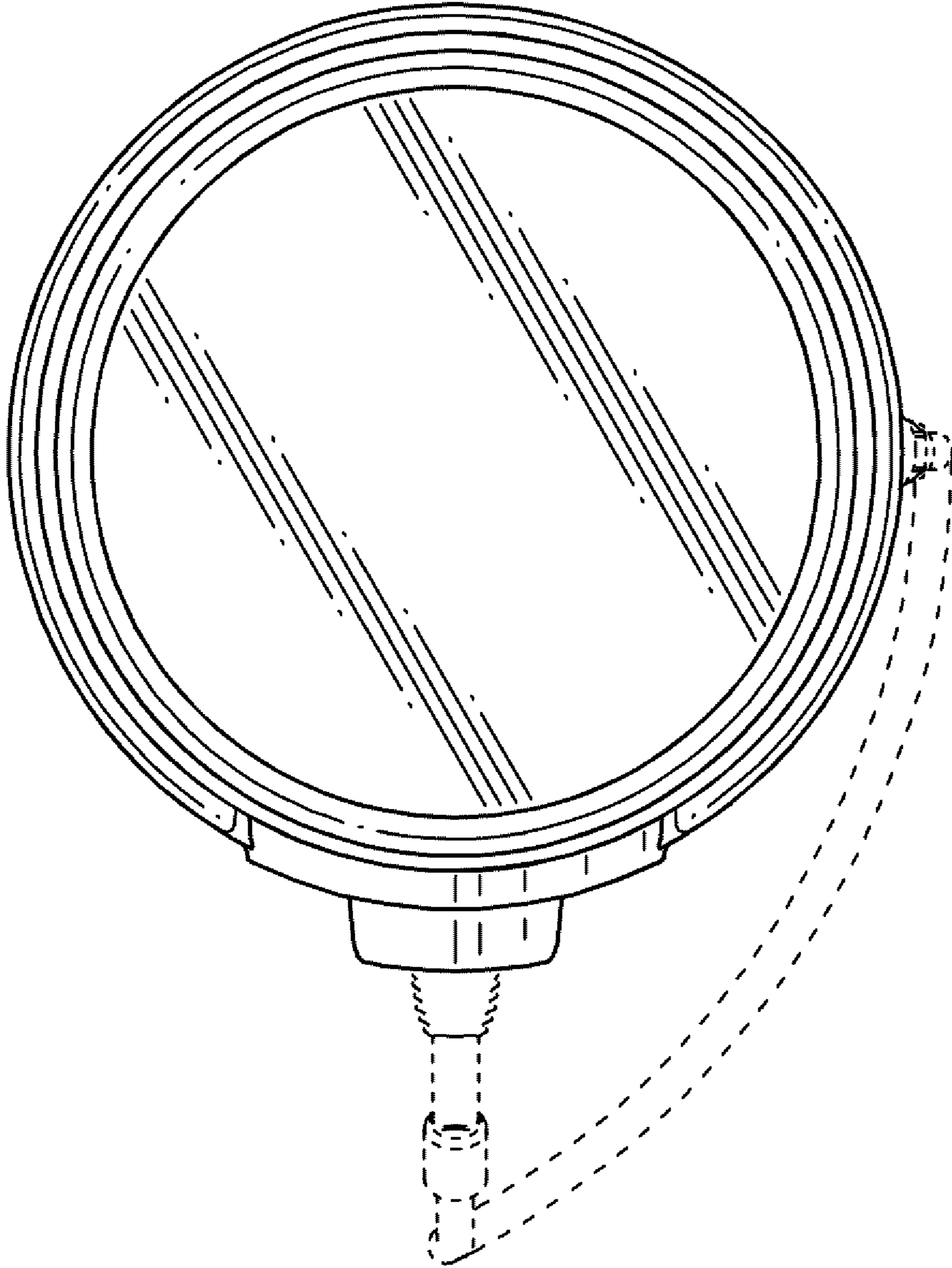


FIG. 6