



US00D654855S

(12) **United States Design Patent**
Inskeep

(10) **Patent No.:** **US D654,855 S**

(45) **Date of Patent:** **** Feb. 28, 2012**

(54) **BATTERY CHARGER AND MAINTAINER WITH DOCKING STATION**

(76) Inventor: **Mathew Inskeep**, Boca Raton, FL (US)

(**) Term: **14 Years**

(21) Appl. No.: **29/374,325**

(22) Filed: **Aug. 1, 2011**

(51) **LOC (9) Cl.** **13-02**

(52) **U.S. Cl.** **D13/107**

(58) **Field of Classification Search** D13/107-110,
D13/118-119, 184, 199; D14/251, 253,
D14/432, 434; 320/107-115

See application file for complete search history.

(56) **References Cited**

U.S. PATENT DOCUMENTS

D423,452	S	*	4/2000	Fujisawa et al.	D13/110
D426,810	S	*	6/2000	Wei	D13/110
D433,993	S	*	11/2000	Tang	D13/110
D511,743	S	*	11/2005	Hriscu et al.	D13/107
D575,225	S	*	8/2008	Ahlgren	D13/107
D575,227	S	*	8/2008	So	D13/110
D575,228	S	*	8/2008	So	D13/110
D580,853	S	*	11/2008	Ahlgren	D13/107
D581,356	S	*	11/2008	Ahlgren	D13/107
D588,535	S	*	3/2009	Krieger et al.	D13/107
D599,738	S	*	9/2009	Amidei et al.	D13/110
D617,267	S	*	6/2010	Li	D13/107
D624,013	S	*	9/2010	Lingott	D13/107
D624,014	S	*	9/2010	Lingott	D13/107
D632,650	S	*	2/2011	Rashid et al.	D13/110
D639,736	S	*	6/2011	Su	D13/110
D640,192	S	*	6/2011	Robinson et al.	D13/107
D644,603	S	*	9/2011	Liu	D13/102

* cited by examiner

Primary Examiner — Rosemary K Tarcza

(57) **CLAIM**

The ornamental design for a battery charger and maintainer with docking station, as shown and described.

DESCRIPTION

FIG. 1 is a top perspective view of the battery charger and maintainer with docking station showing my new design.

FIG. 2 is a bottom perspective view thereof.

FIG. 3 is a top view thereof.

FIG. 4 is a bottom view thereof.

FIG. 5 is a right side view thereof.

FIG. 6 is a left side view thereof.

FIG. 7 is a front view thereof.

FIG. 8 is a back view thereof.

FIG. 9 is a top perspective view of the battery charger and maintainer docked in the docking station.

FIG. 10 is a bottom perspective view of the battery charger and maintainer docked in the docking station.

FIG. 11 is a top view of the battery charger and maintainer docked in the docking station.

FIG. 12 is a bottom view of the battery charger and maintainer docked in the docking station.

FIG. 13 is a right side view of the battery charger and maintainer docked in the docking station.

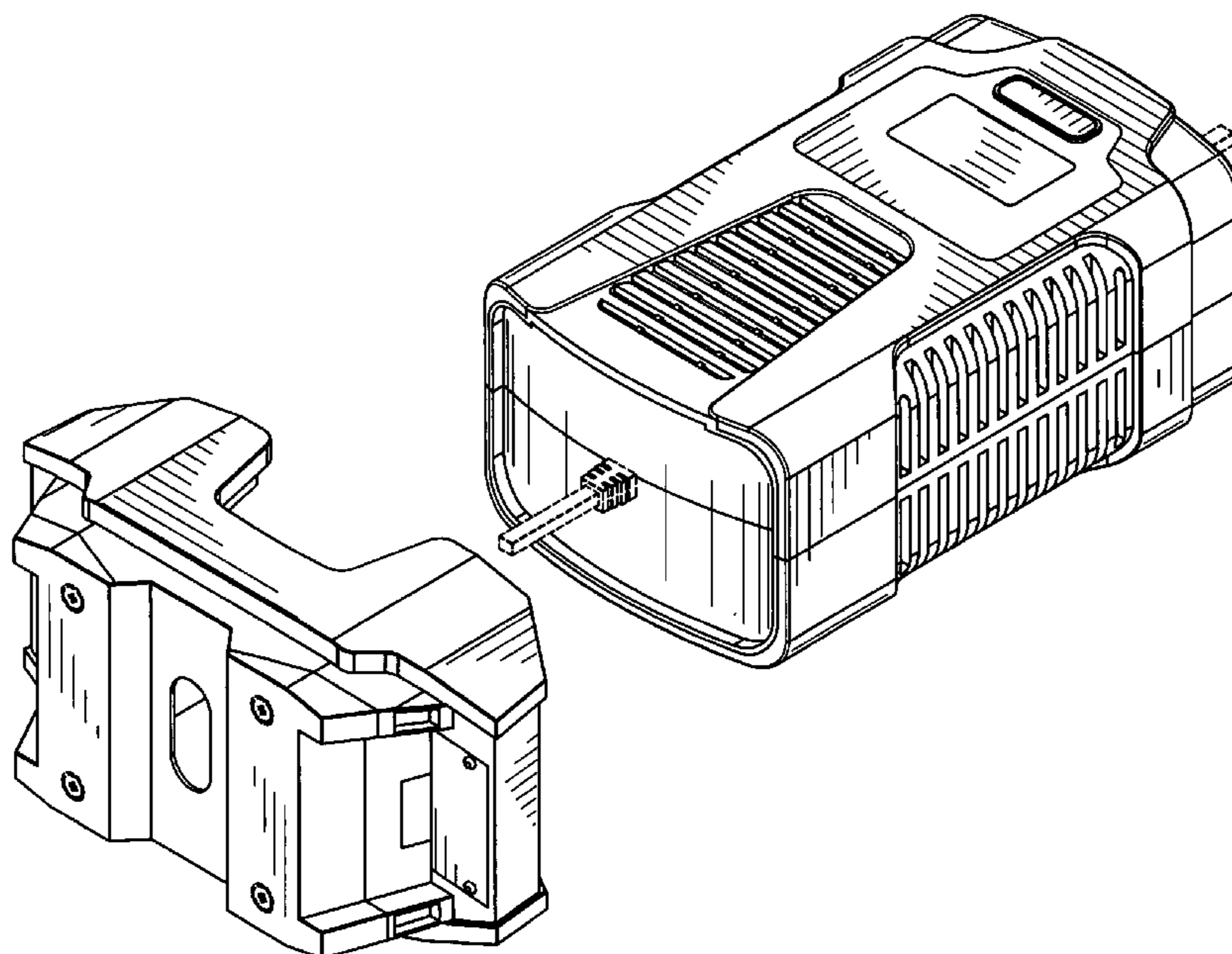
FIG. 14 is a left side view of the battery charger and maintainer docked in the docking station.

FIG. 15 is a front view of the battery charger and maintainer docked in the docking station; and,

FIG. 16 is a back view of the battery charger and maintainer docked in the docking station.

The broken lines shown in the drawings are included for the purpose of illustrating unclaimed portions of the battery charger and maintainer with docking station, and form no part of the claimed design.

1 Claim, 14 Drawing Sheets



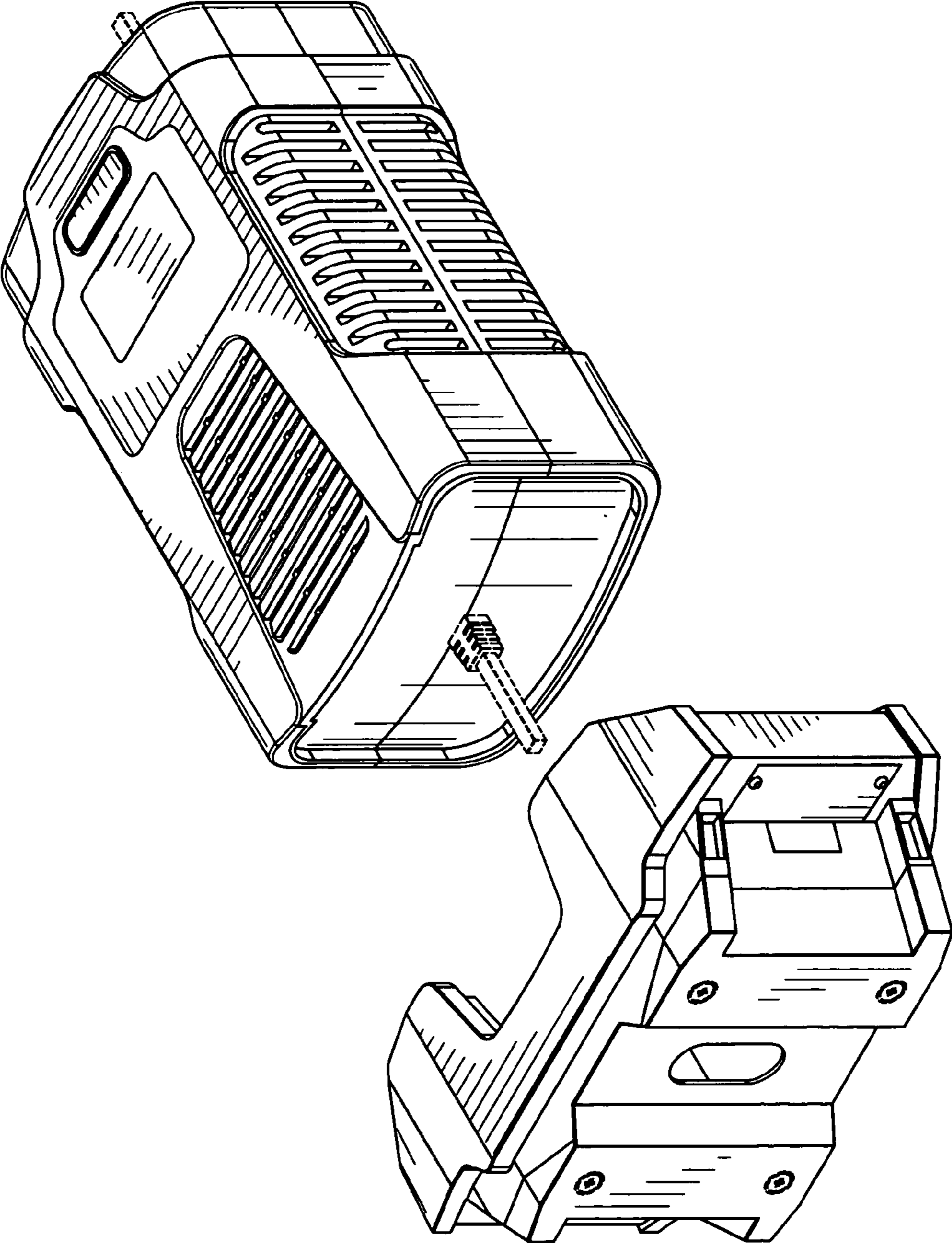


FIG. 1

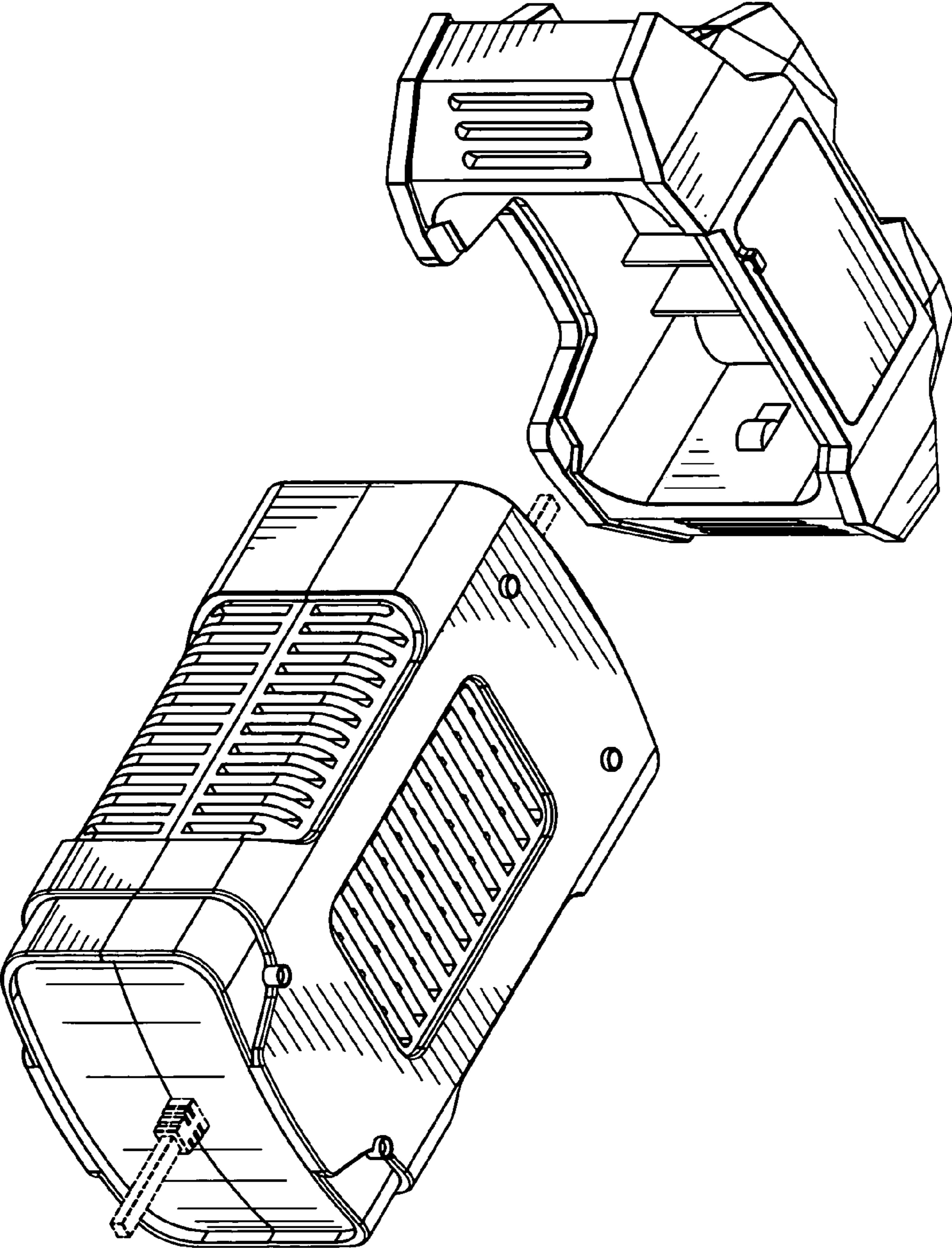


FIG. 2

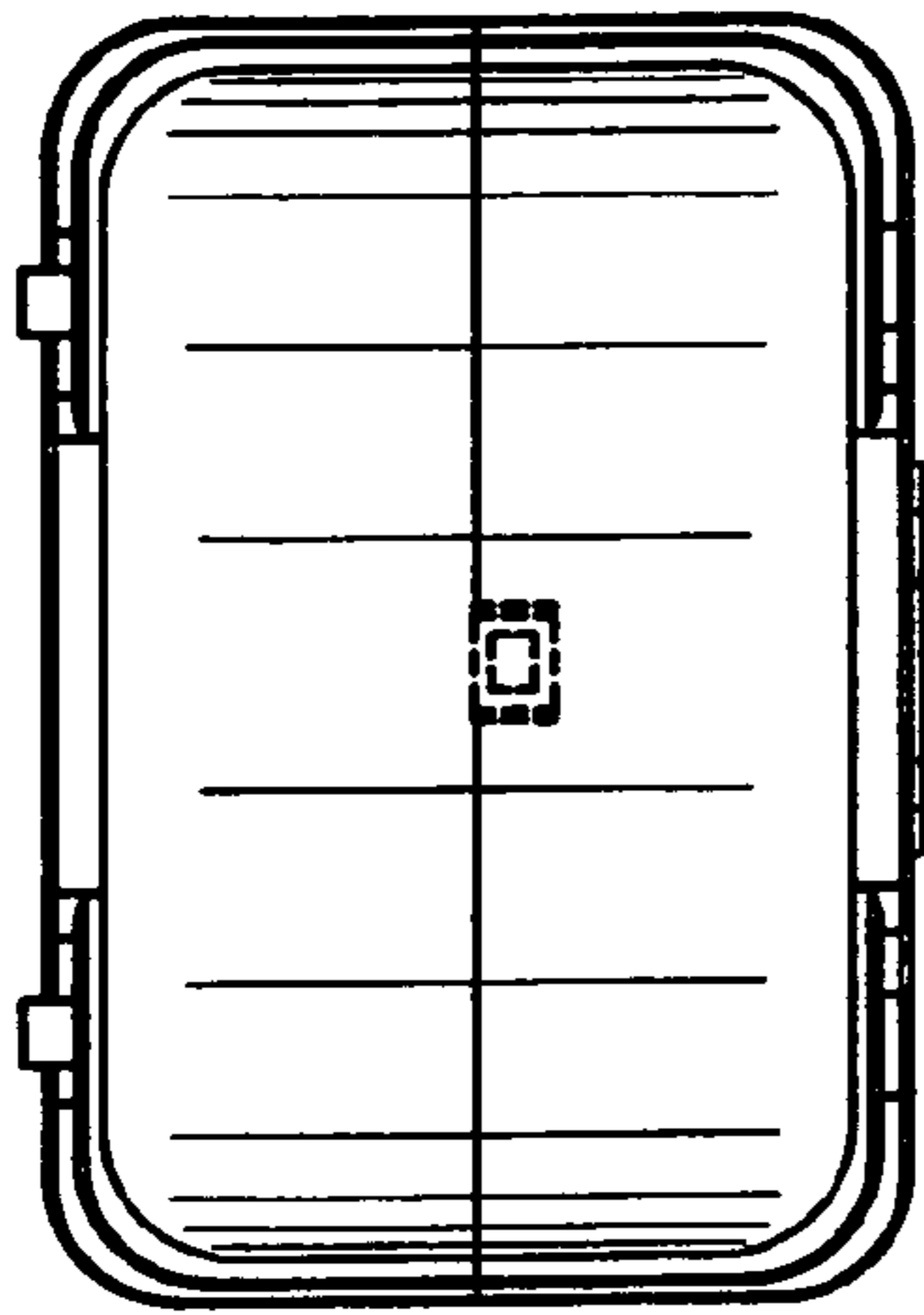


FIG. 3

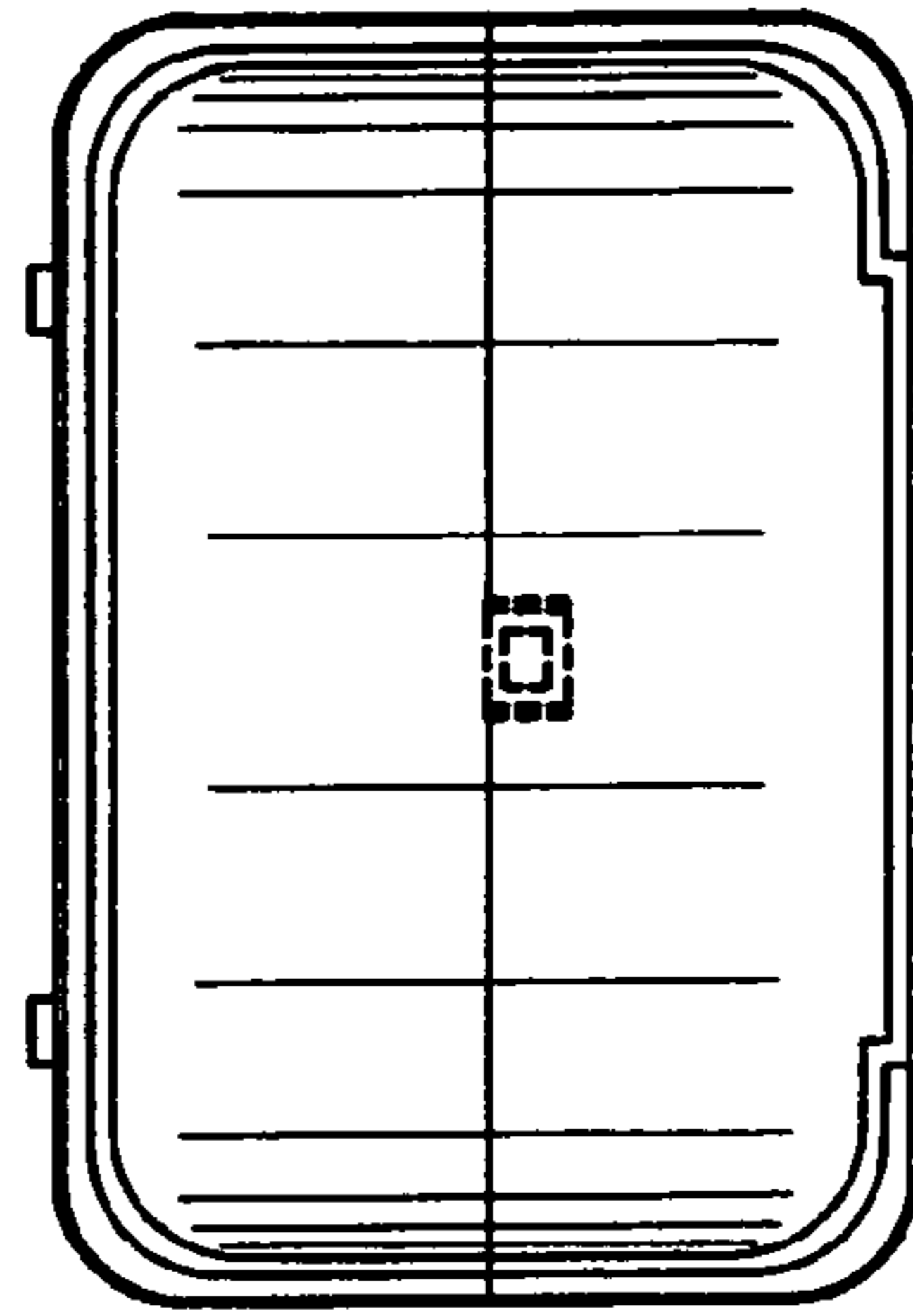
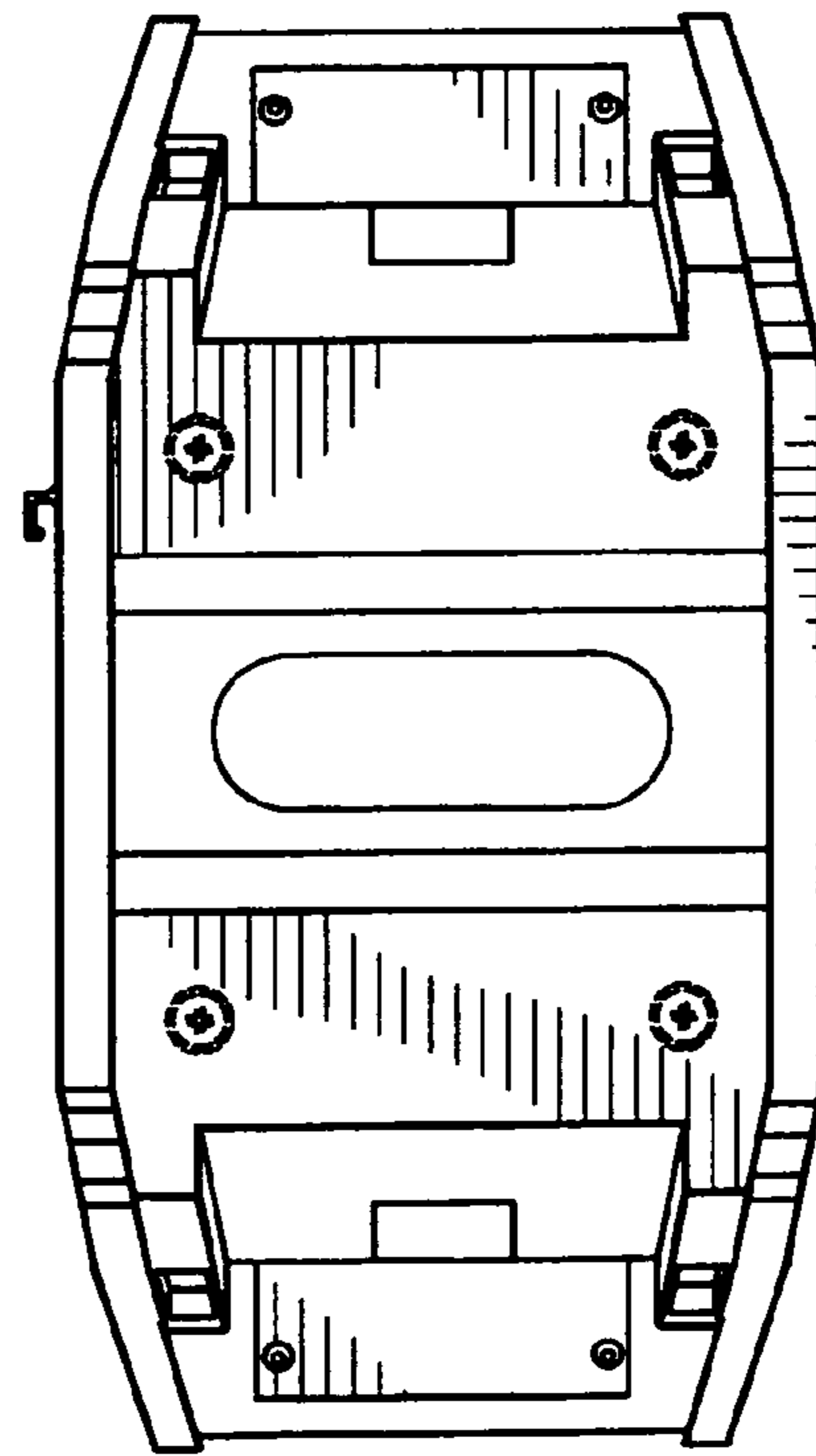
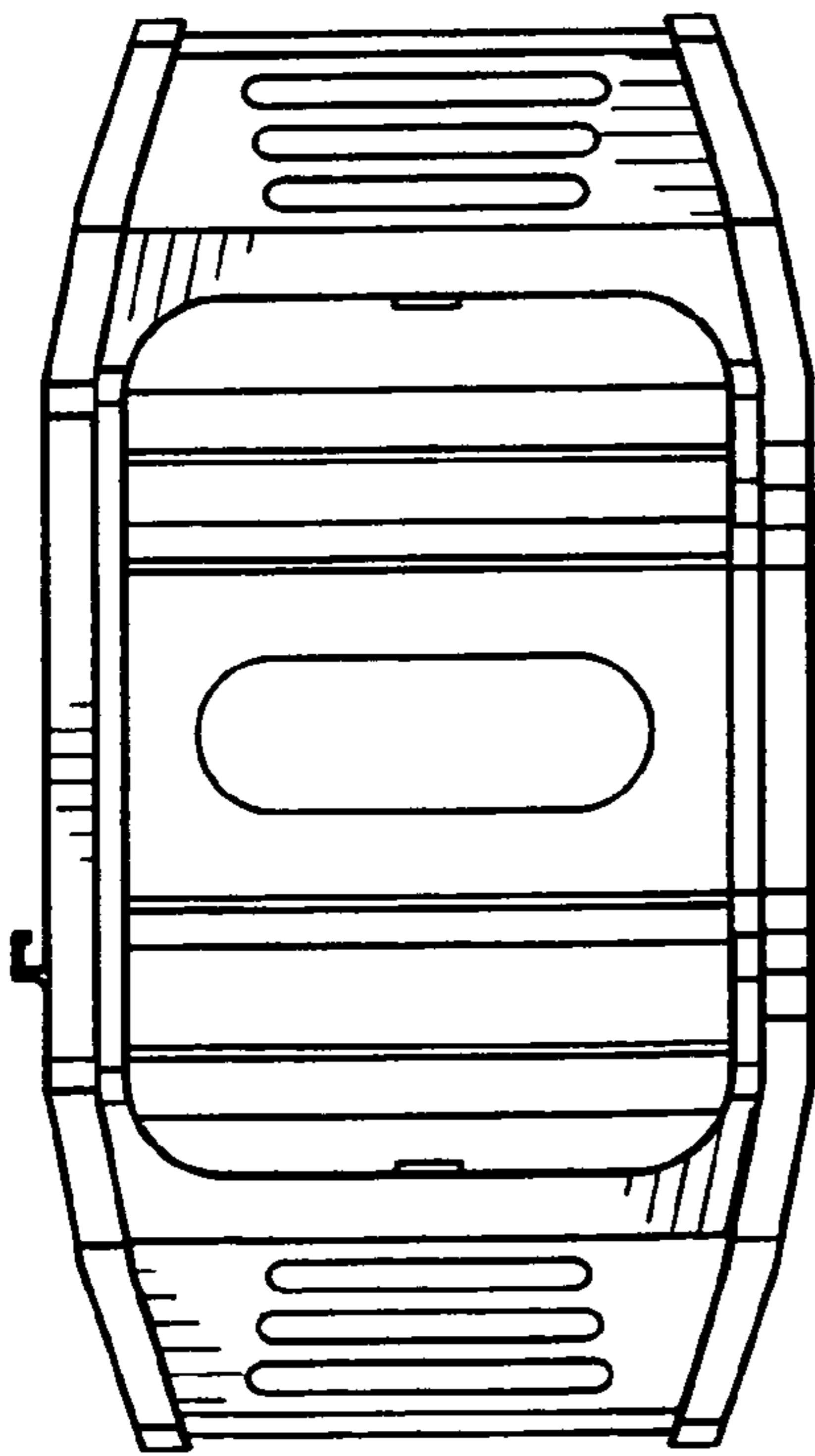


FIG. 4



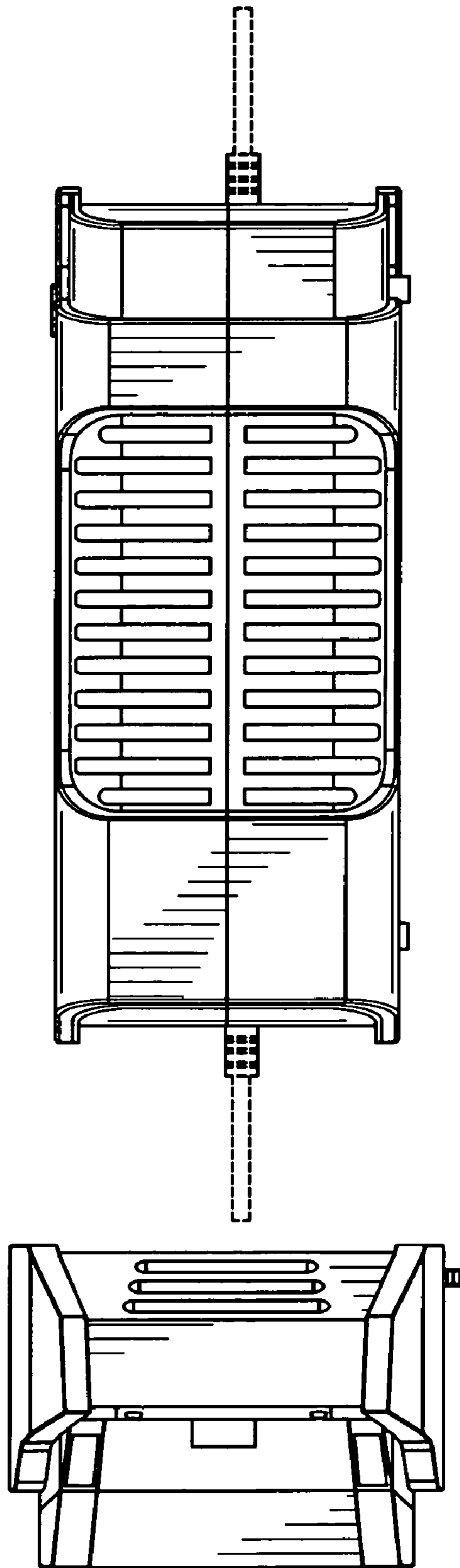


FIG. 5

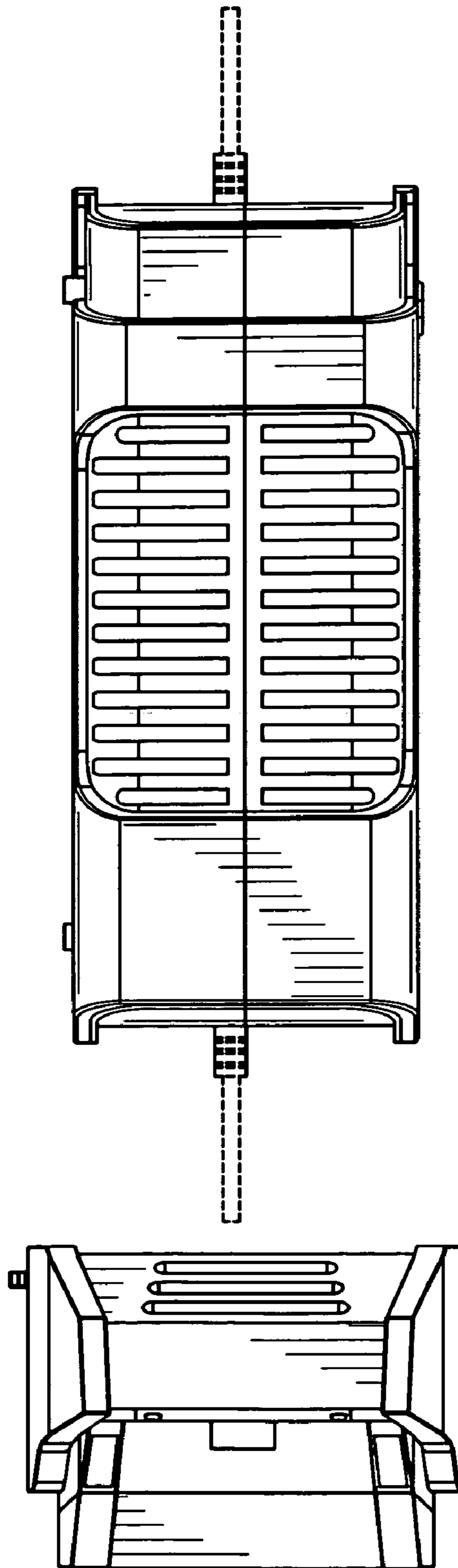


FIG. 6

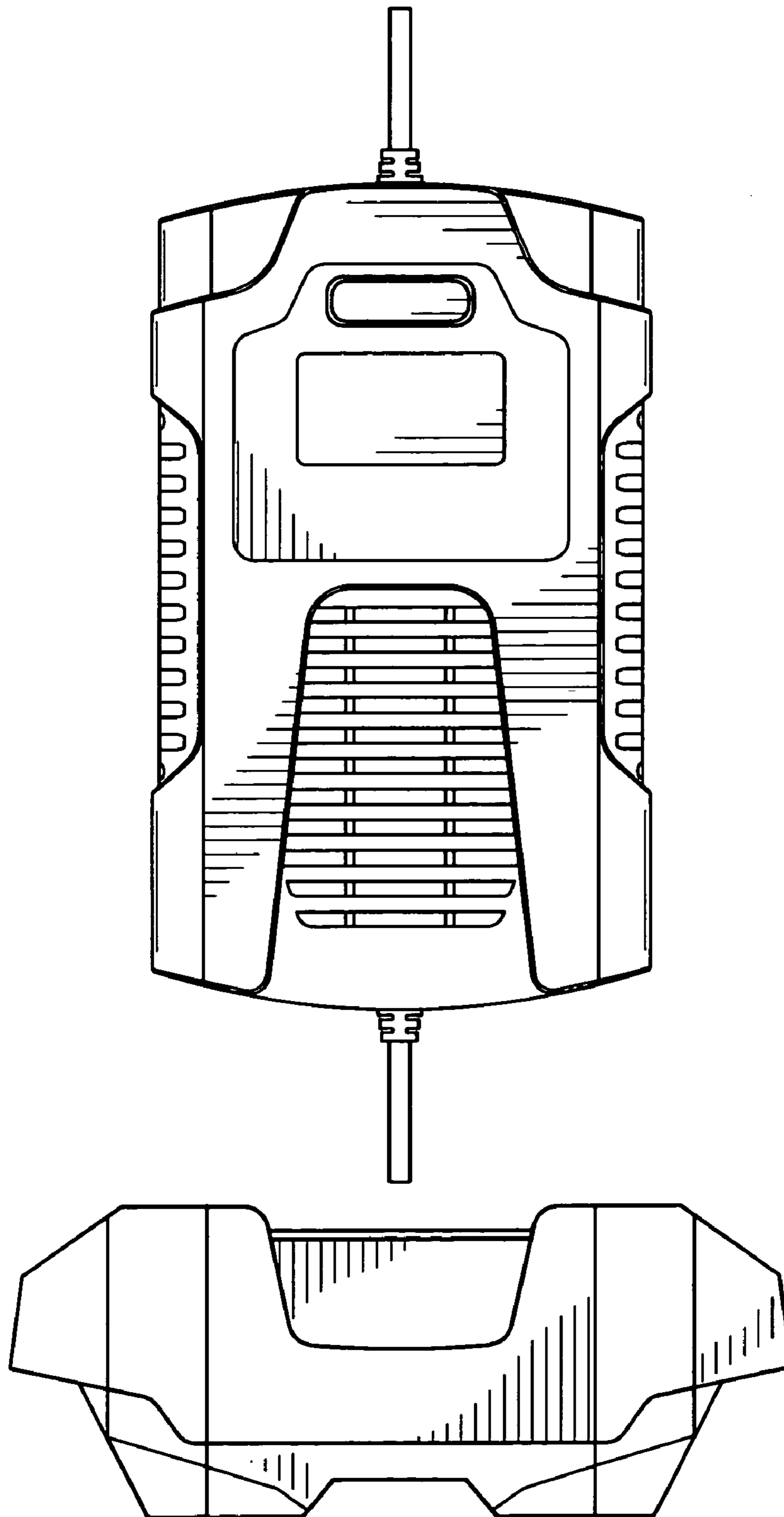


FIG. 7

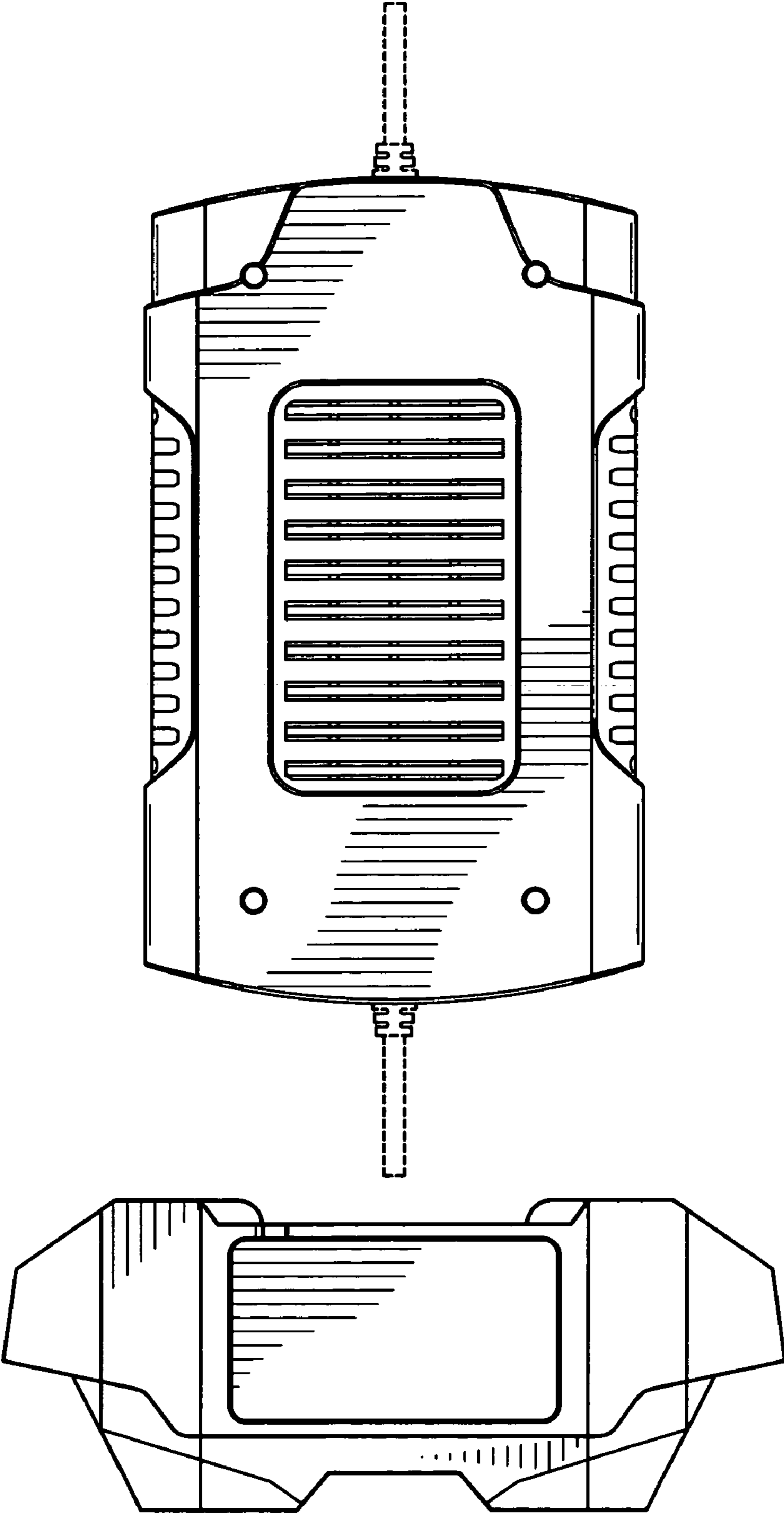


FIG. 8

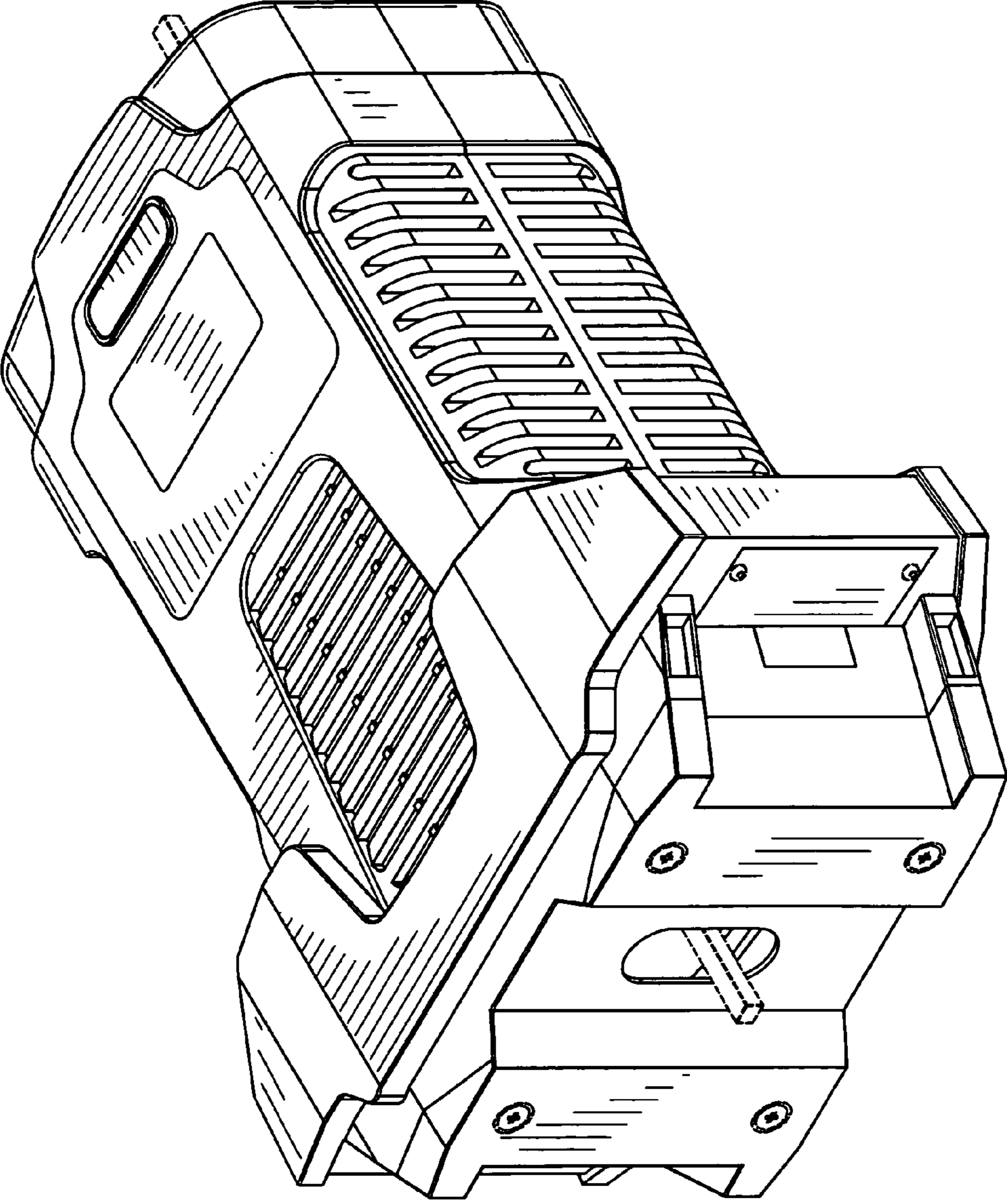


FIG. 9

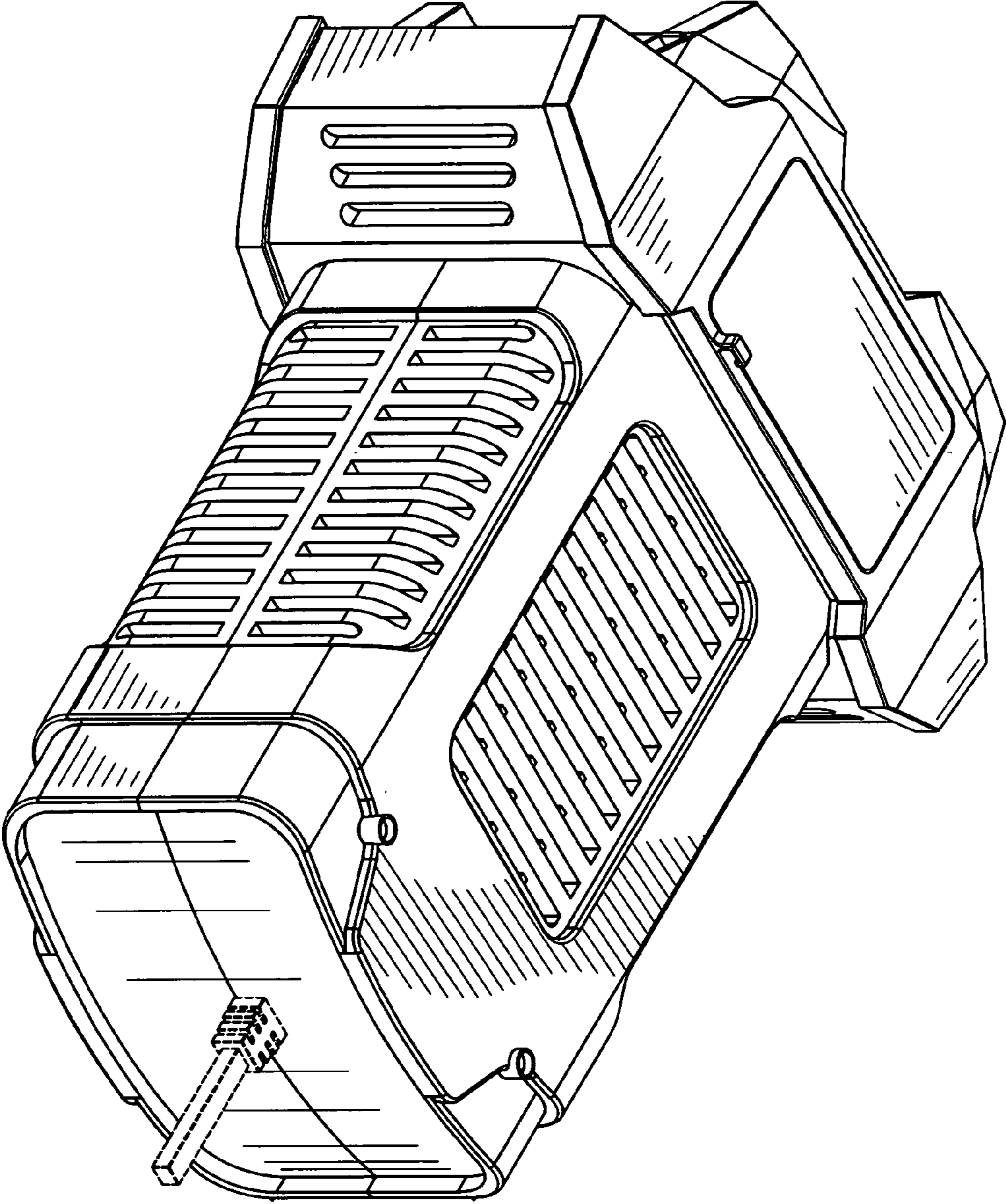


FIG. 10

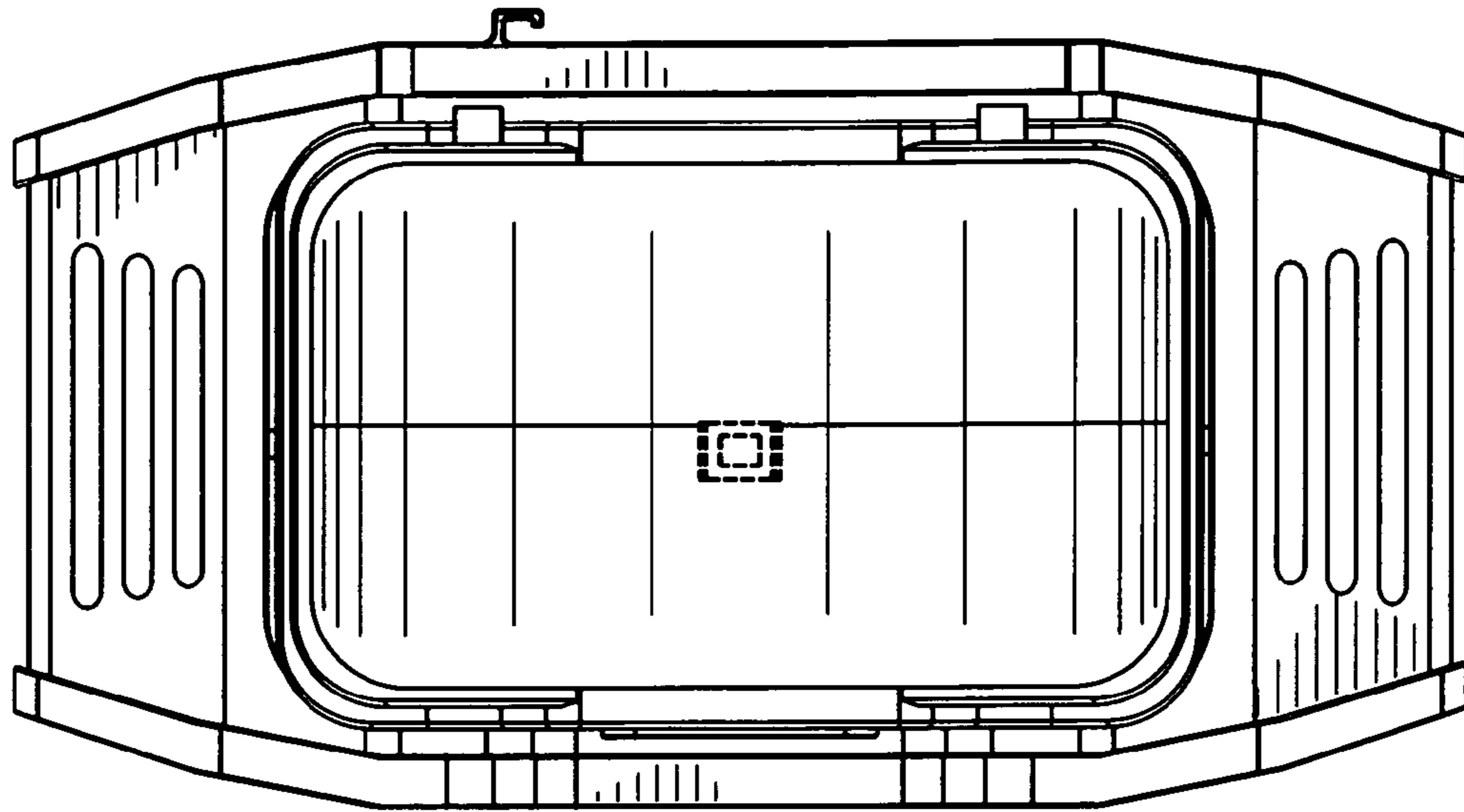


FIG. 11

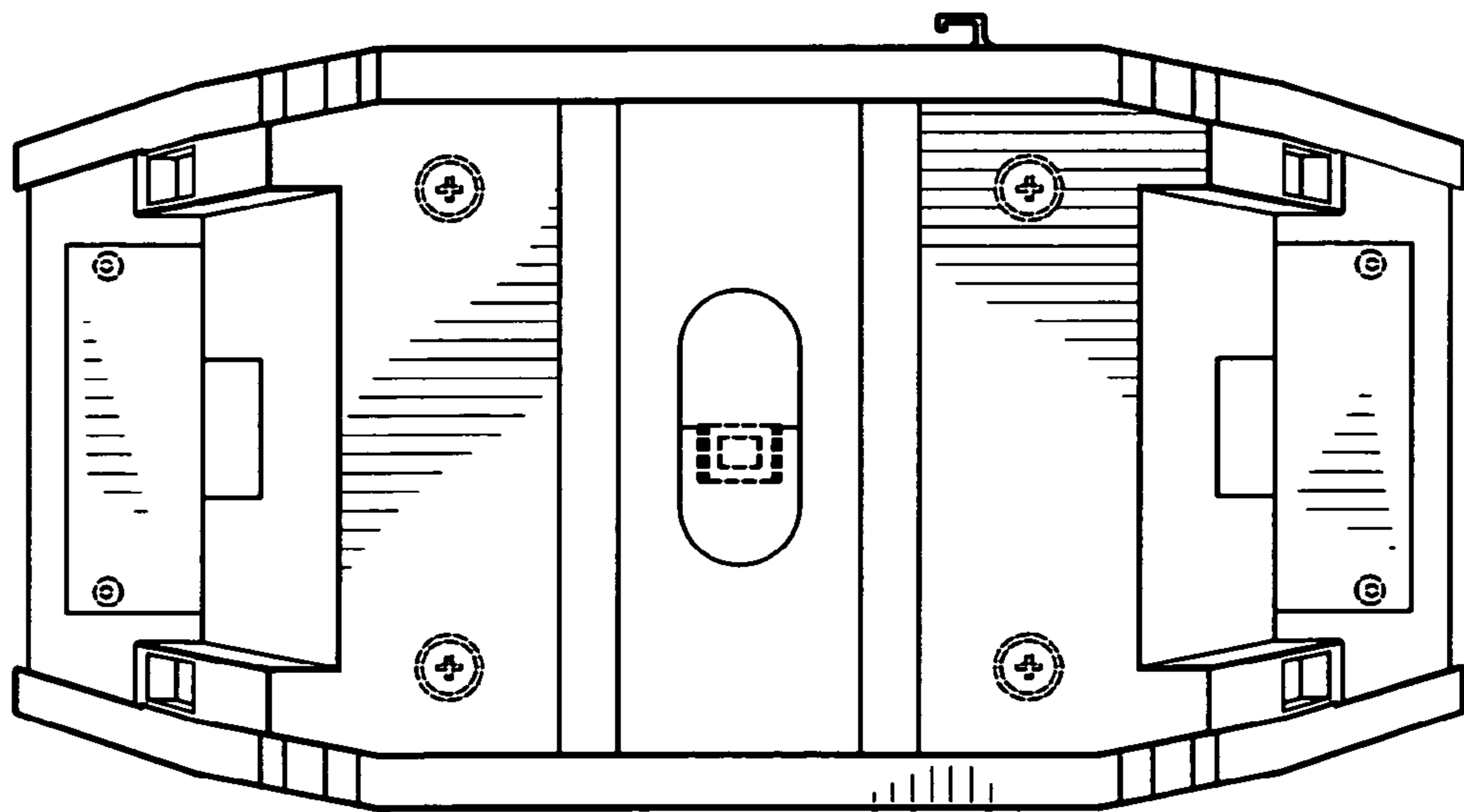


FIG. 12

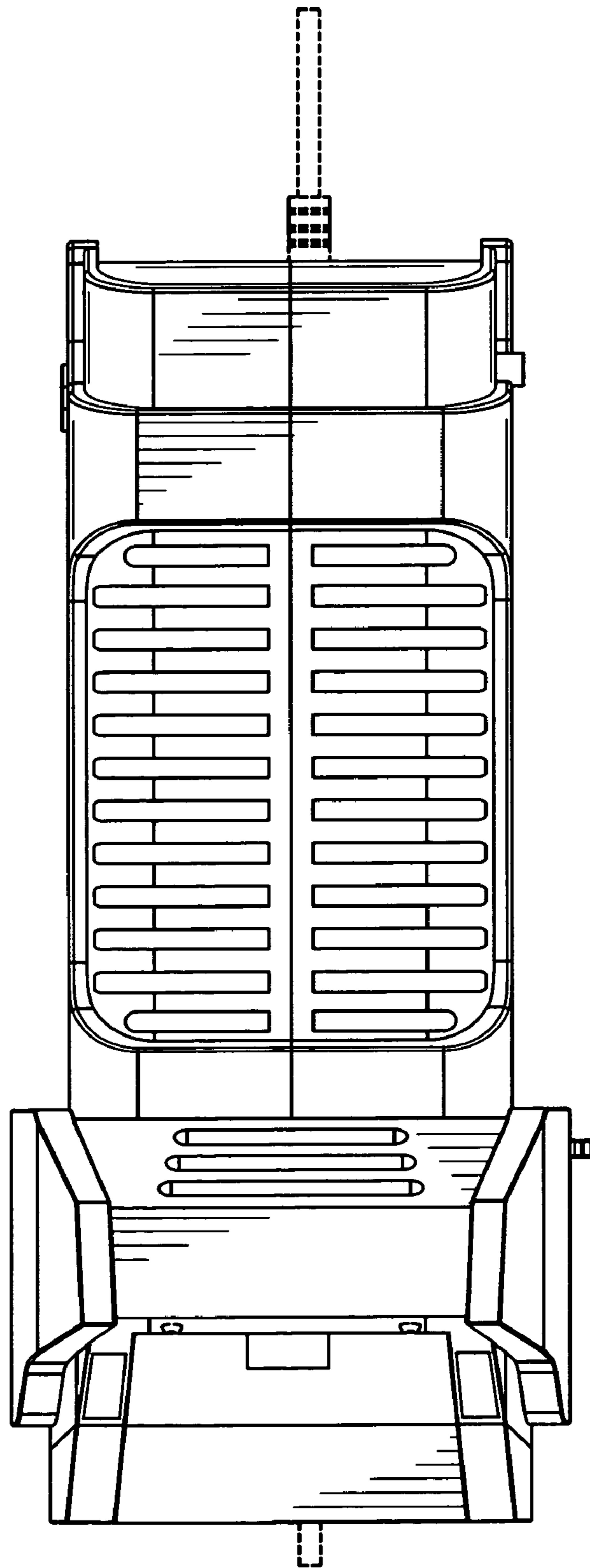


FIG.13

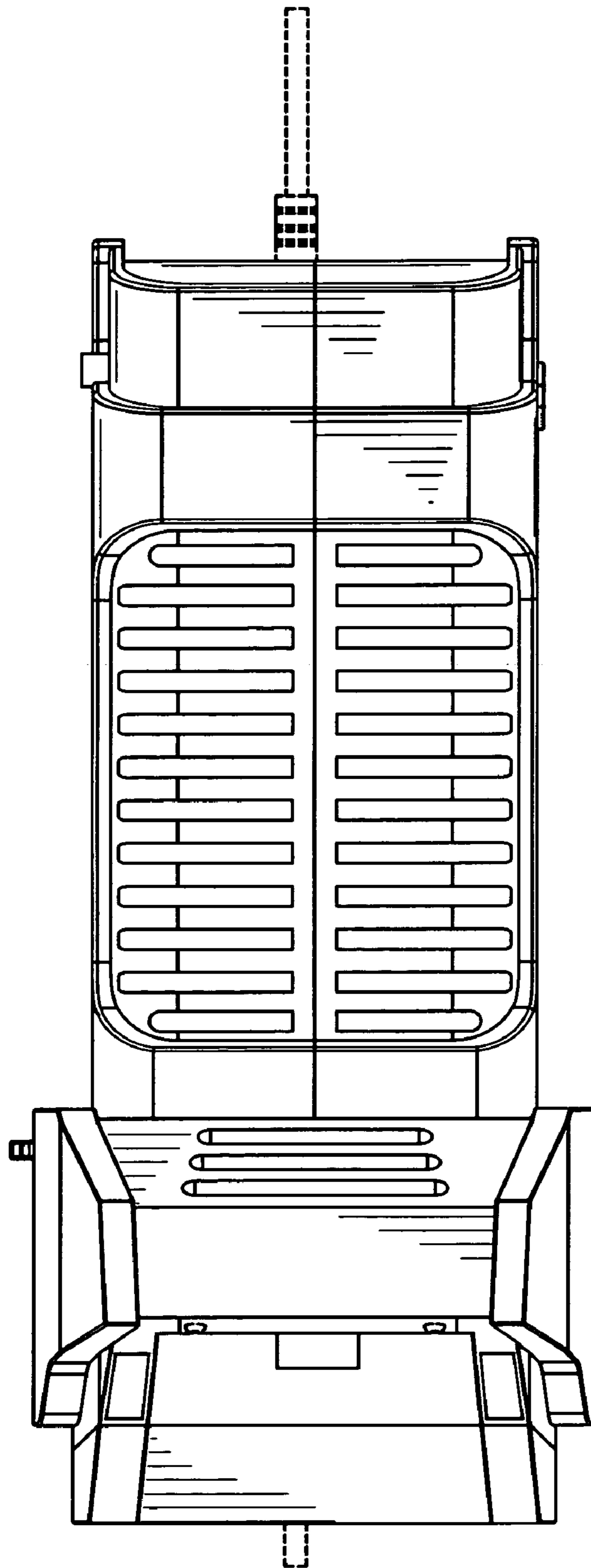


FIG. 14

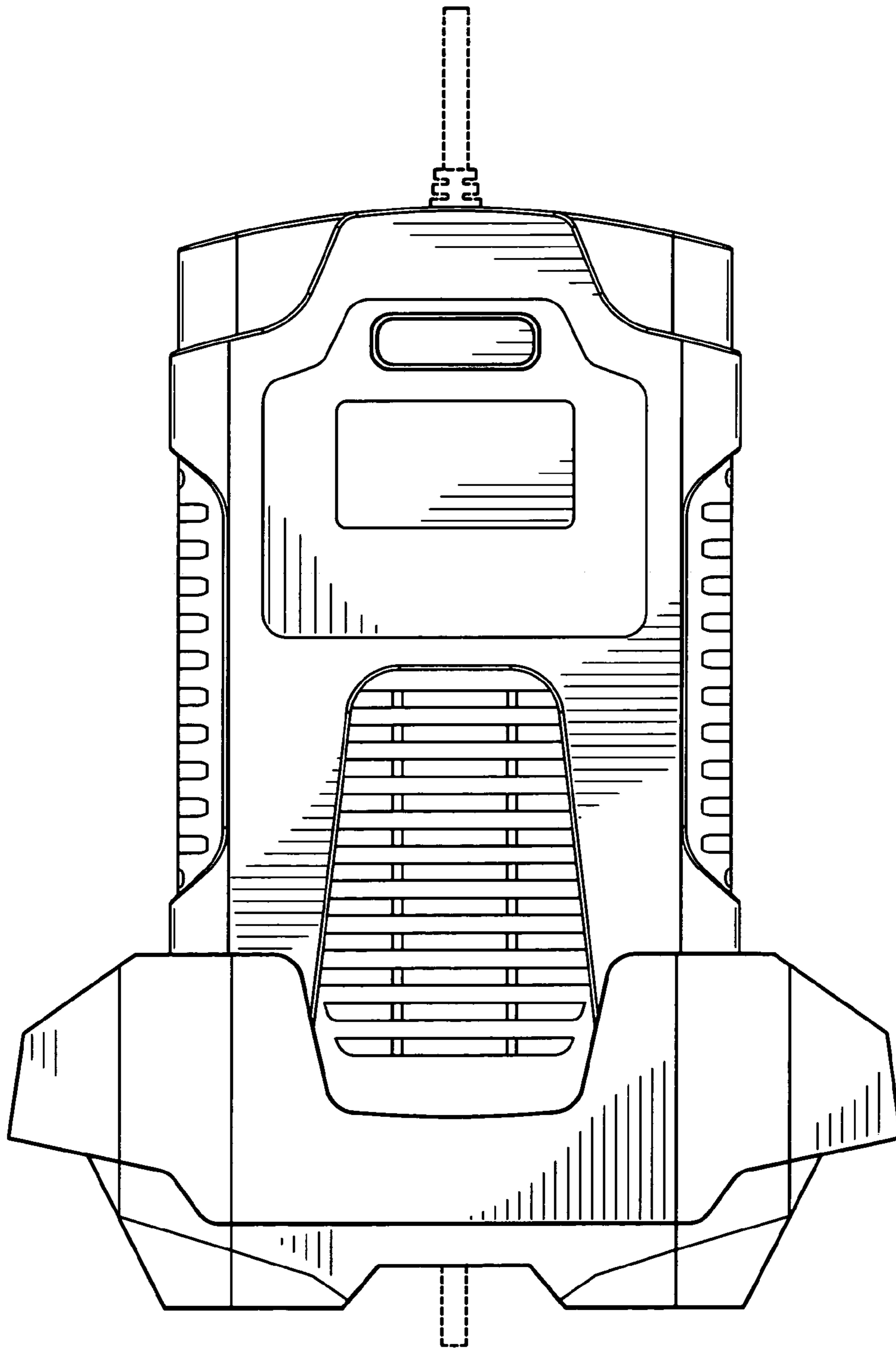


FIG. 15

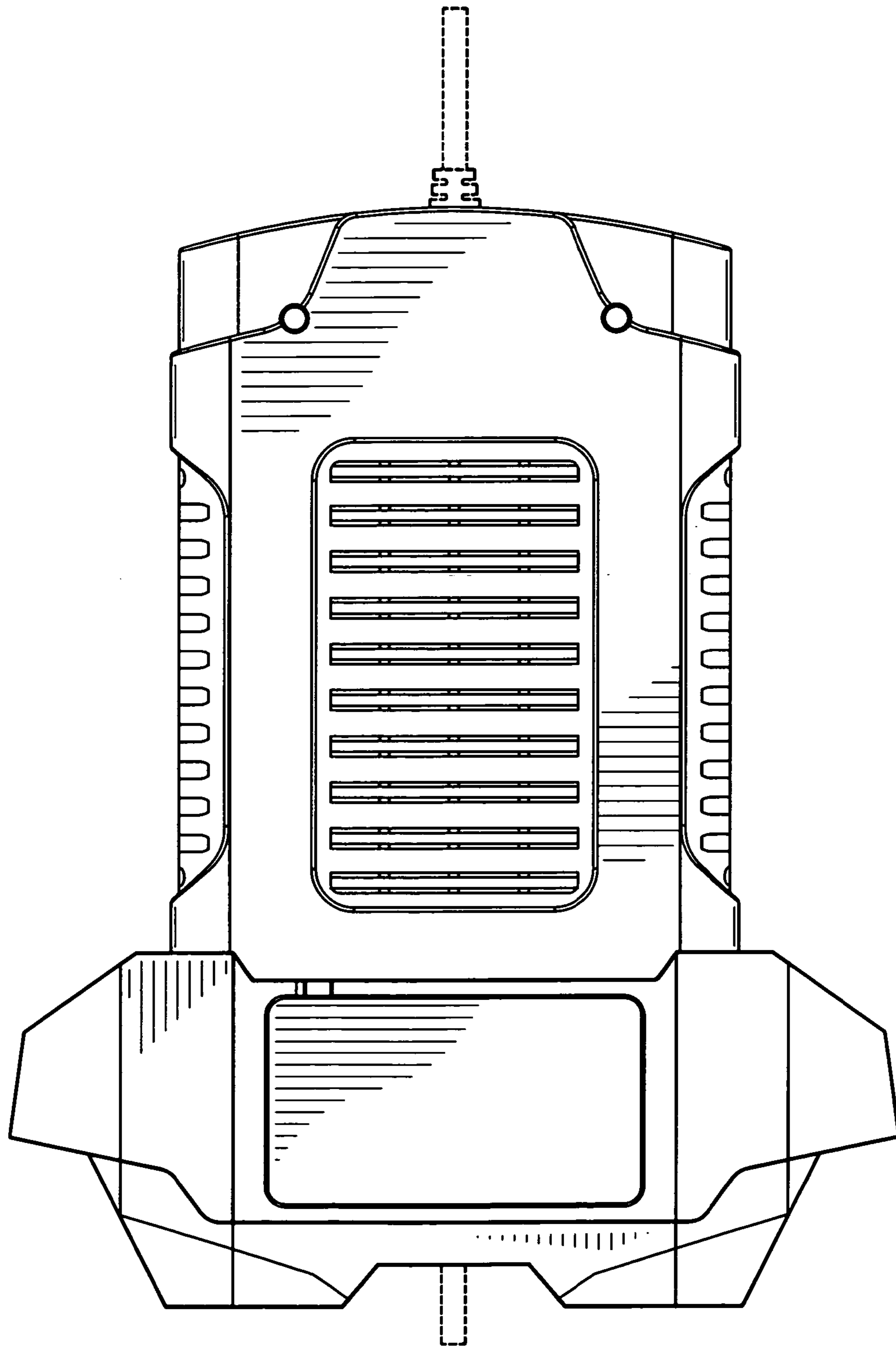


FIG. 16