



US00D654854S

(12) **United States Design Patent**  
**Inskeep**

(10) **Patent No.:** **US D654,854 S**

(45) **Date of Patent:** **\*\* Feb. 28, 2012**

(54) **BATTERY CHARGER AND MAINTAINER**

(76) Inventor: **Mathew Inskeep**, Boca Raton, FL (US)

(\*\*) Term: **14 Years**

(21) Appl. No.: **29/374,200**

(22) Filed: **Jul. 14, 2011**

(51) **LOC (9) Cl.** ..... **13-02**

(52) **U.S. Cl.** ..... **D13/107**

(58) **Field of Classification Search** ..... D13/107-110,  
D13/118-119, 184, 199; D14/251, 253,  
D14/432, 434; 320/107-115

See application file for complete search history.

(56) **References Cited**

**U.S. PATENT DOCUMENTS**

D433,993 S *	11/2000	Tang	.....	D13/110
D511,743 S *	11/2005	Hriscu et al.	.....	D13/107
D575,225 S *	8/2008	Ahlgren	.....	D13/107
D575,227 S *	8/2008	So	.....	D13/110
D575,228 S *	8/2008	So	.....	D13/110
D580,853 S *	11/2008	Ahlgren	.....	D13/107
D581,356 S *	11/2008	Ahlgren	.....	D13/107
D588,535 S *	3/2009	Krieger et al.	.....	D13/107
D617,267 S *	6/2010	Li	.....	D13/107
D624,013 S *	9/2010	Lingott	.....	D13/107

D624,014 S *	9/2010	Lingott	.....	D13/107
D632,650 S *	2/2011	Rashid et al.	.....	D13/110
D639,736 S *	6/2011	Su	.....	D13/110

\* cited by examiner

*Primary Examiner* — Rosemary K Tarca

(57) **CLAIM**

The ornamental design for a battery charger and maintainer, as shown and described.

**DESCRIPTION**

FIG. 1 is a top perspective view of the battery charger and maintainer showing my new design.

FIG. 2 is a bottom perspective view thereof.

FIG. 3 is a front view thereof.

FIG. 4 is a back view thereof.

FIG. 5 is a right side view thereof.

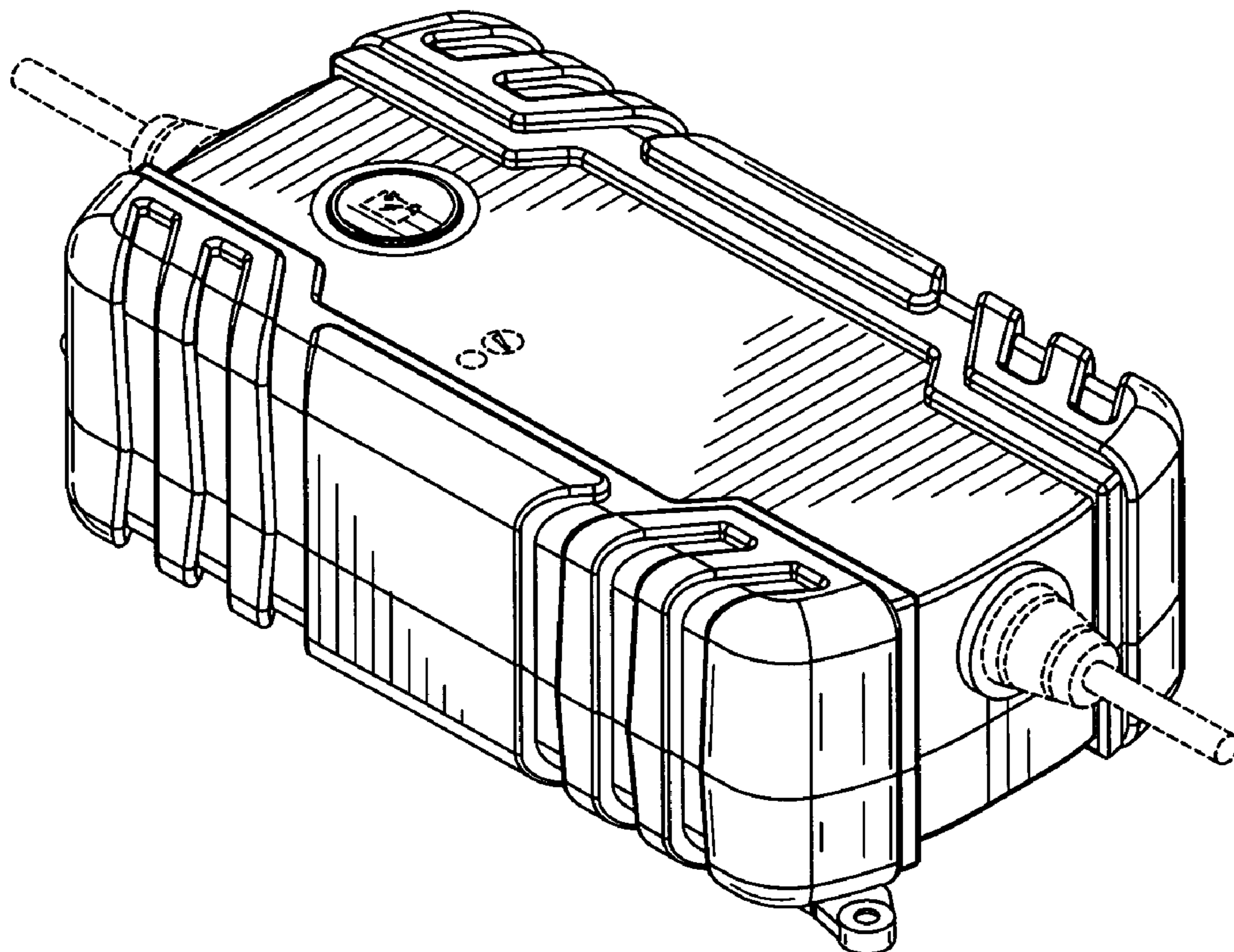
FIG. 6 is a left side view thereof.

FIG. 7 is a top view thereof; and,

FIG. 8 is a bottom view thereof.

The broken lines shown in the drawings are included for the purpose of illustrating unclaimed portions of the battery charger and maintainer, and form no part of the claimed design.

**1 Claim, 4 Drawing Sheets**



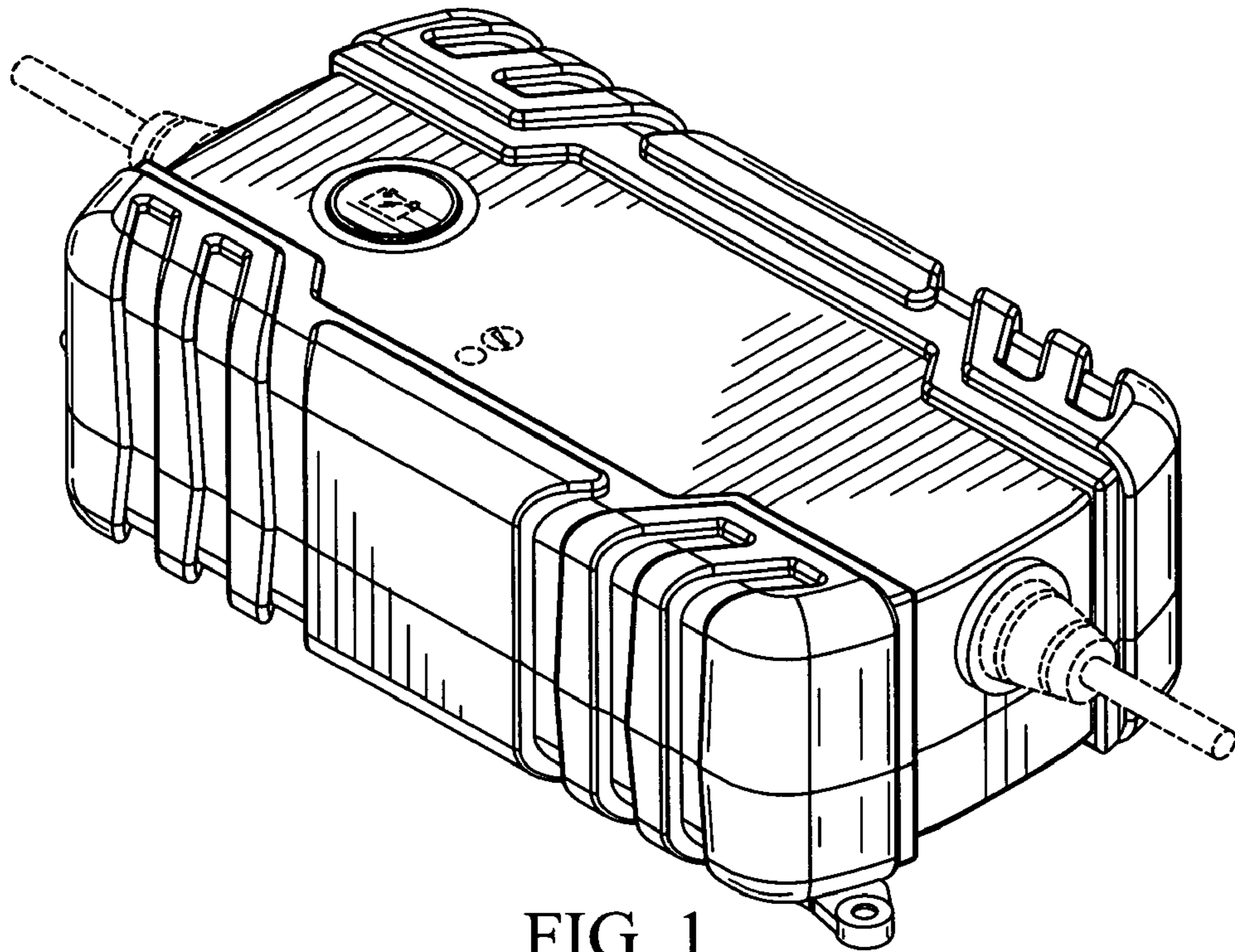


FIG. 1

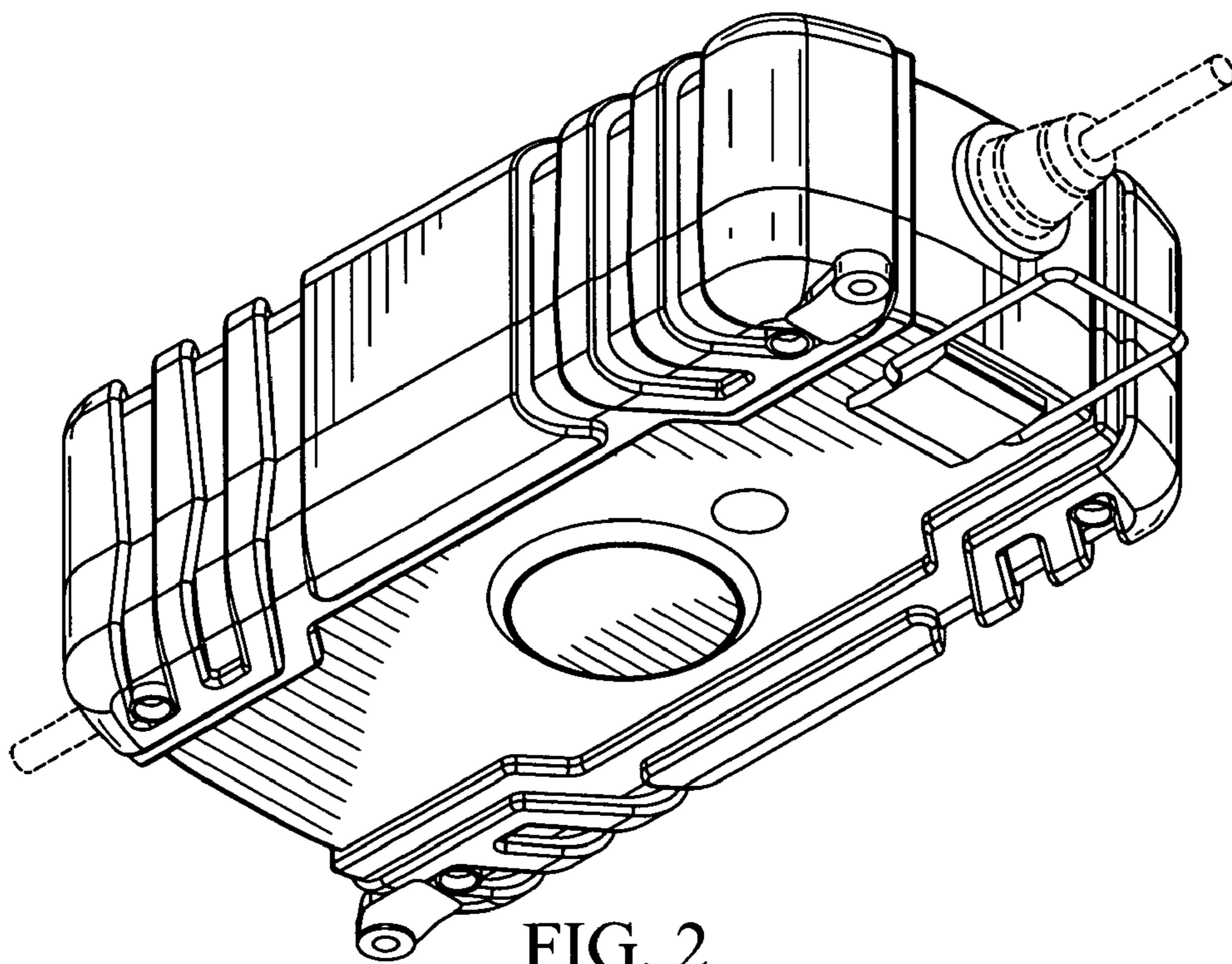


FIG. 2

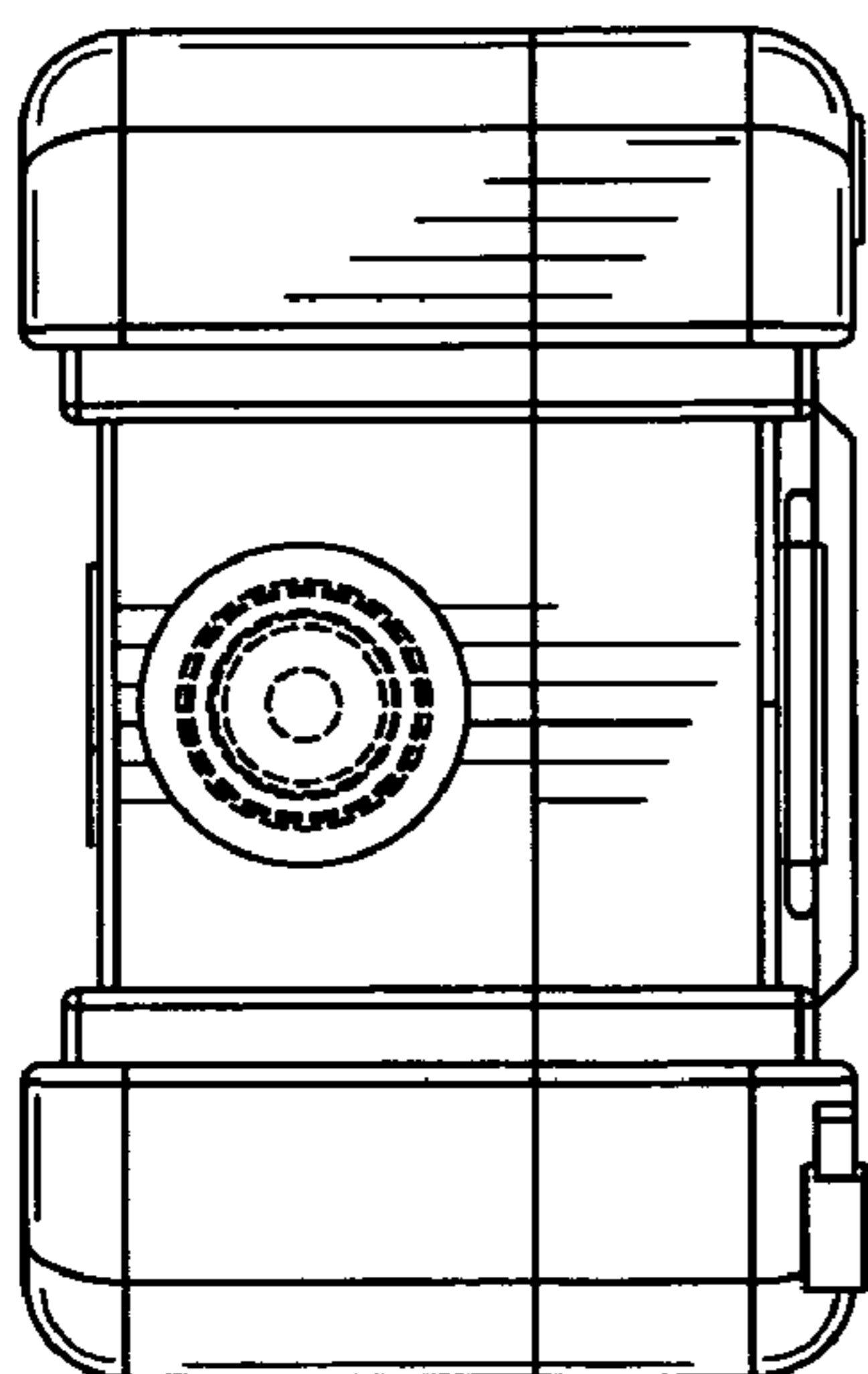


FIG. 3

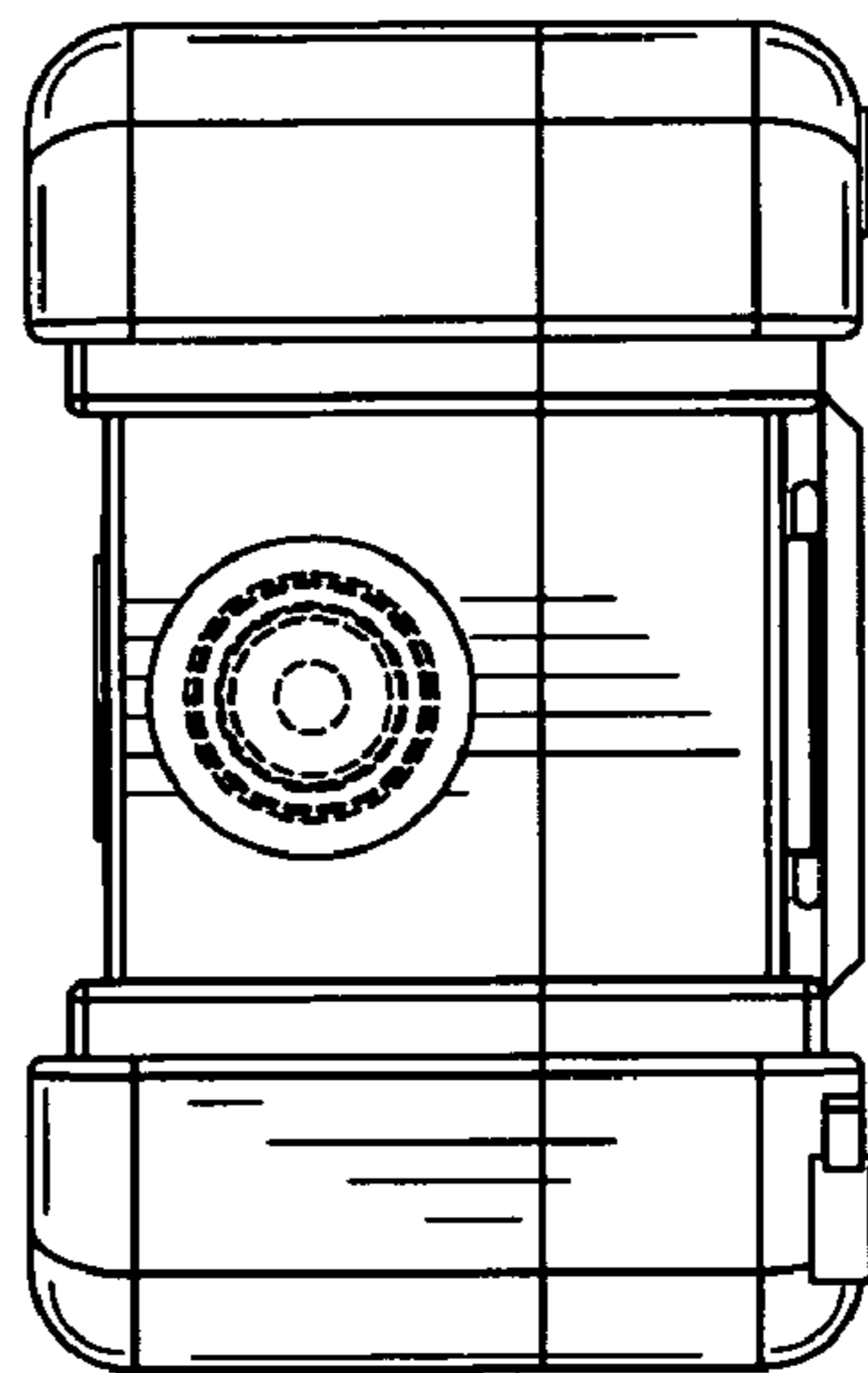


FIG. 4

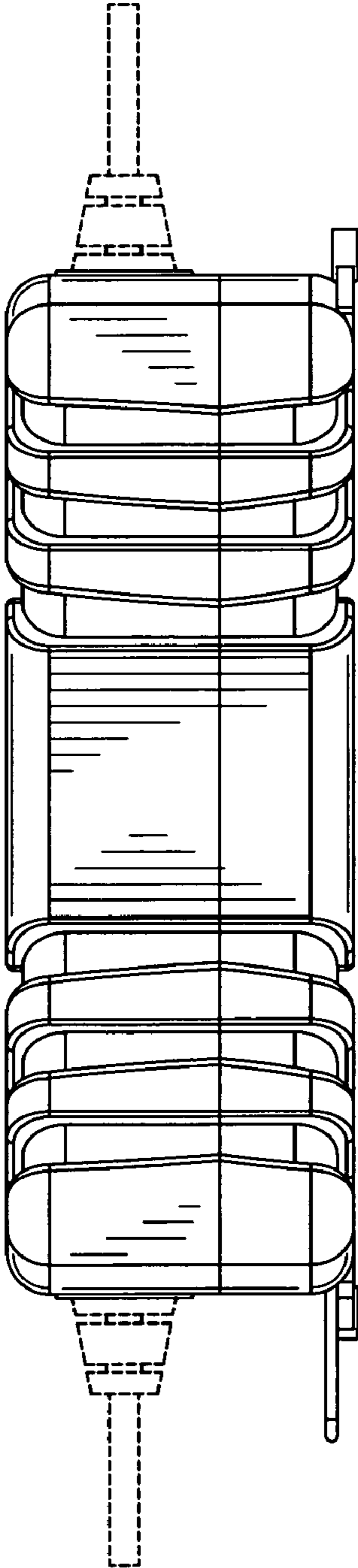


FIG. 5

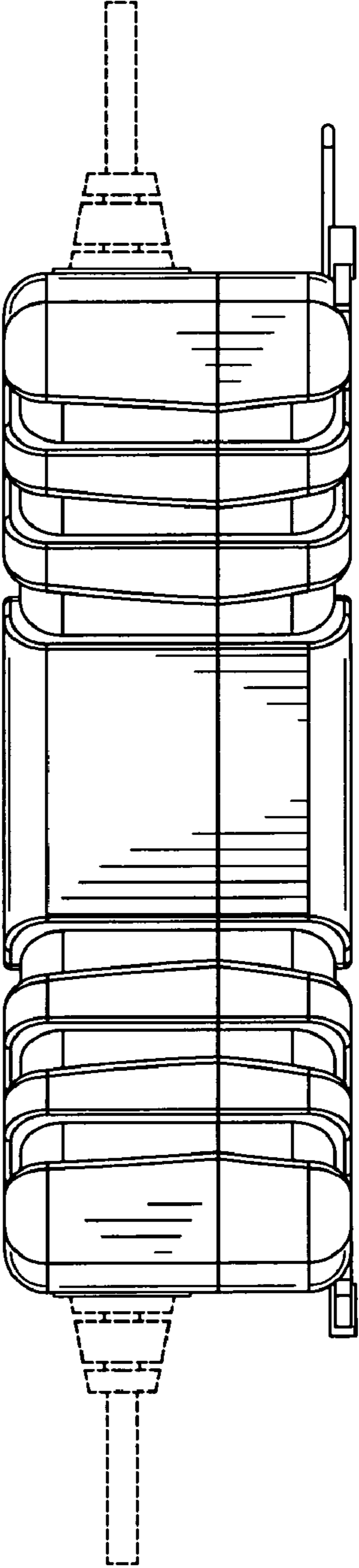


FIG. 6

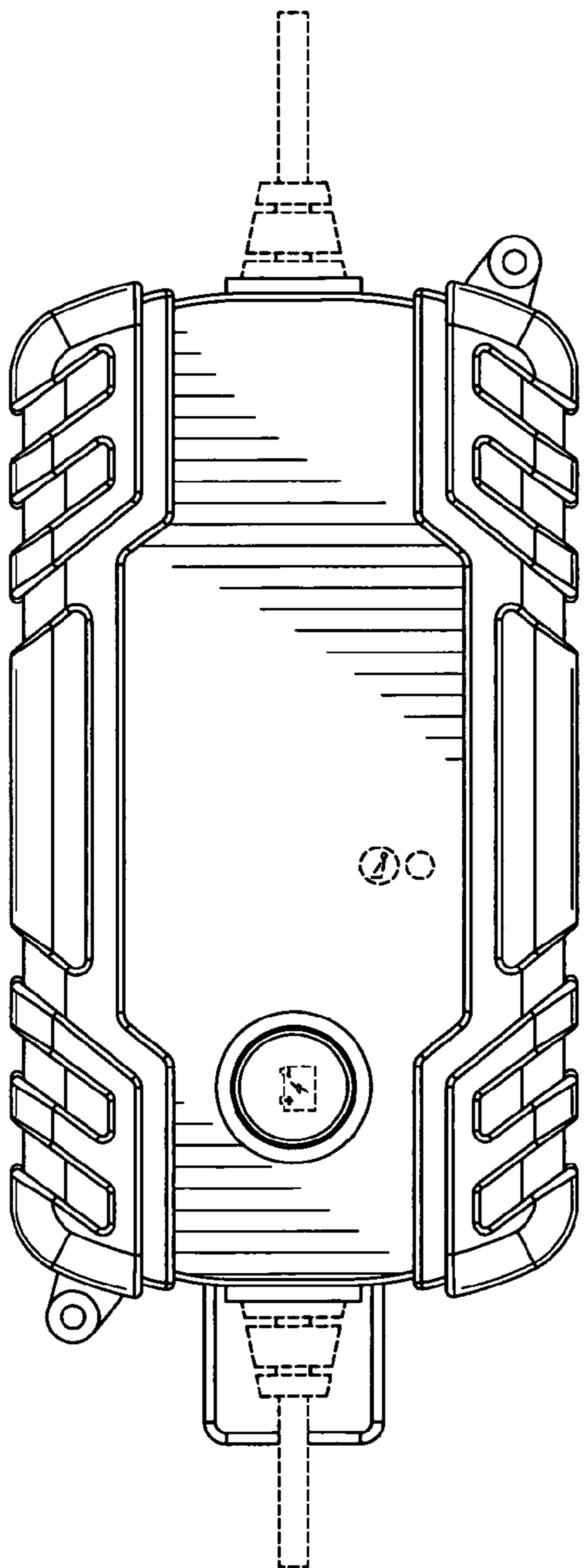


FIG. 7

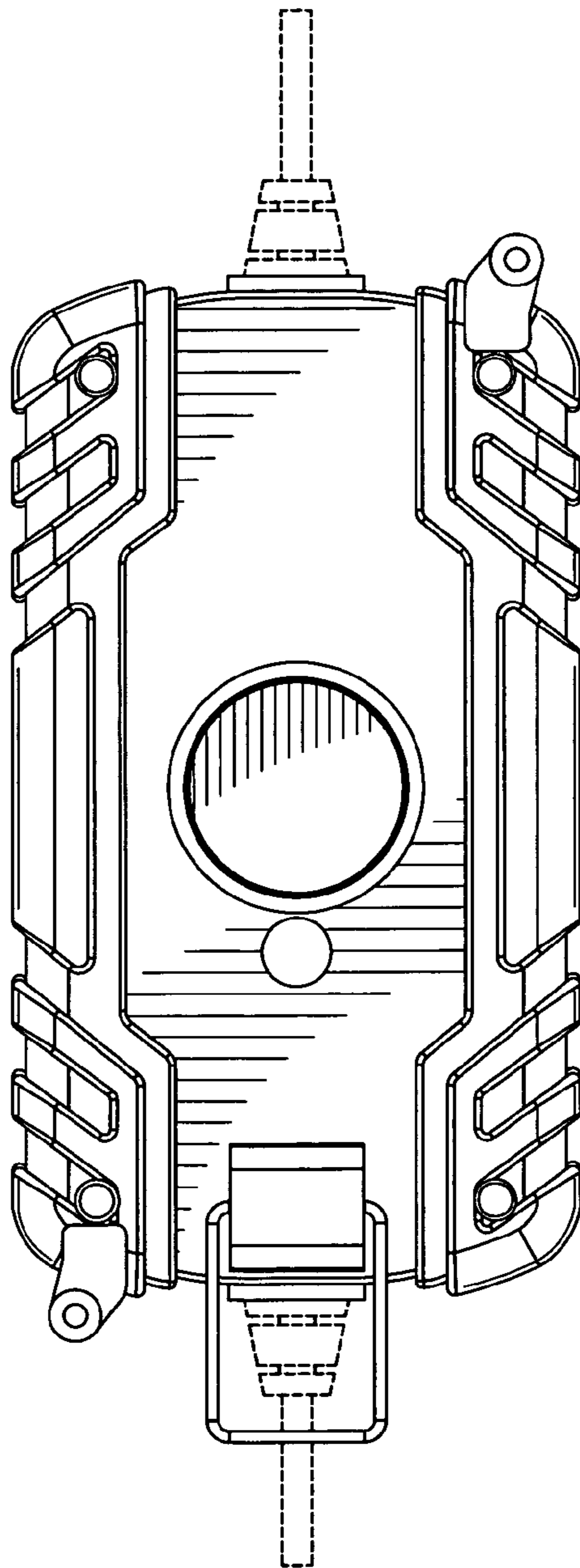


FIG. 8