



US00D654853S

(12) **United States Design Patent**
Bacon et al.

(10) **Patent No.:** **US D654,853 S**

(45) **Date of Patent:** **** Feb. 28, 2012**

(54) **TABLET COMPUTER BATTERY**

(75) Inventors: **Charles A. Bacon**, Brooklyn, NY (US);
Jaeho Choi, Whitestone, NY (US); **Carl A. Thelemann**, East Islip, NY (US)

(73) Assignee: **Symbol Technologies, Inc.**, Holtsville, NY (US)

(**) Term: **14 Years**

(21) Appl. No.: **29/399,439**

(22) Filed: **Aug. 15, 2011**

(51) **LOC (9) Cl.** **13-02**

(52) **U.S. Cl.** **D13/103**

(58) **Field of Classification Search** D13/102–106,
D13/110, 118–119, 184; 429/96–100, 163,
429/176

See application file for complete search history.

(56) **References Cited**

U.S. PATENT DOCUMENTS

5,180,644	A *	1/1993	Bresin et al.	429/98
D350,110	S *	8/1994	Johnson	D13/103
D350,328	S *	9/1994	Alexandres et al.	D13/103
D366,452	S *	1/1996	Lindahl	D13/103
D401,554	S *	11/1998	Nagele et al.	D13/119
D403,265	S *	12/1998	Nagele et al.	D13/119
D403,658	S *	1/1999	Nuovo et al.	D13/103
D410,623	S *	6/1999	Kolinen	D13/103
D410,892	S *	6/1999	Prior	D13/103

D410,893	S *	6/1999	Chintala et al.	D13/103
D412,483	S *	8/1999	Chintala et al.	D13/103
5,973,477	A *	10/1999	Chang	320/114
D425,858	S *	5/2000	Oliver et al.	D13/119
D447,112	S *	8/2001	Heong et al.	D13/103
D456,001	S *	4/2002	Arbisi et al.	D13/103
D462,071	S *	8/2002	Ruohonen	D14/248
D478,867	S *	8/2003	Haase et al.	D13/103
D481,716	S *	11/2003	He et al.	D14/248
D539,277	S *	3/2007	Okada et al.	D14/248
D562,760	S *	2/2008	Hanks et al.	D13/103

* cited by examiner

Primary Examiner — Rosemary K Tarcza

(57) **CLAIM**

The ornamental design for a tablet computer battery, as shown and described.

DESCRIPTION

FIG. 1 is a front perspective view of an ornamental design for a tablet computer battery;

FIG. 2 is a rear perspective view thereof;

FIG. 3 is a front view thereof;

FIG. 4 is a top view thereof;

FIG. 5 is a rear view thereof;

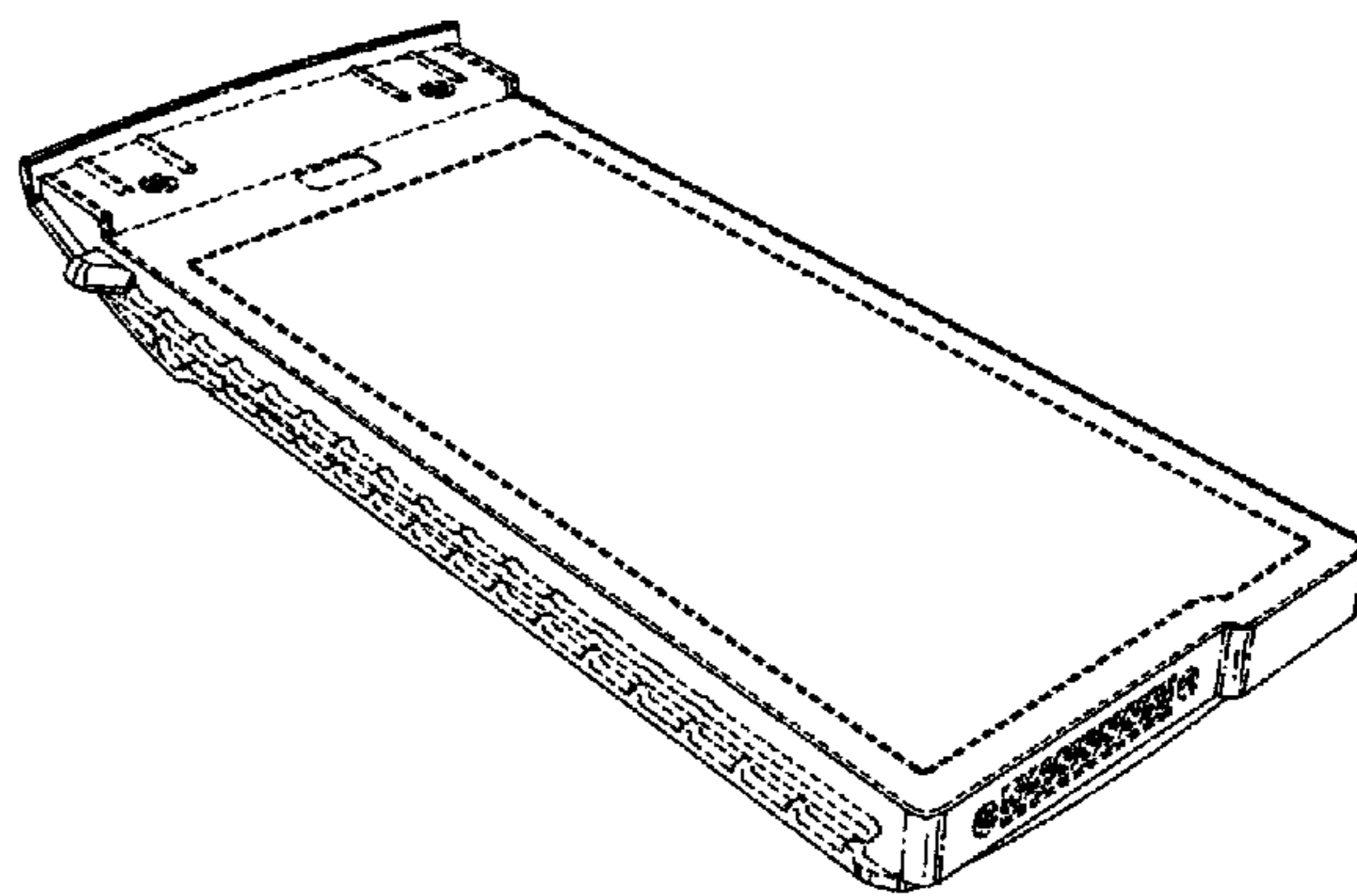
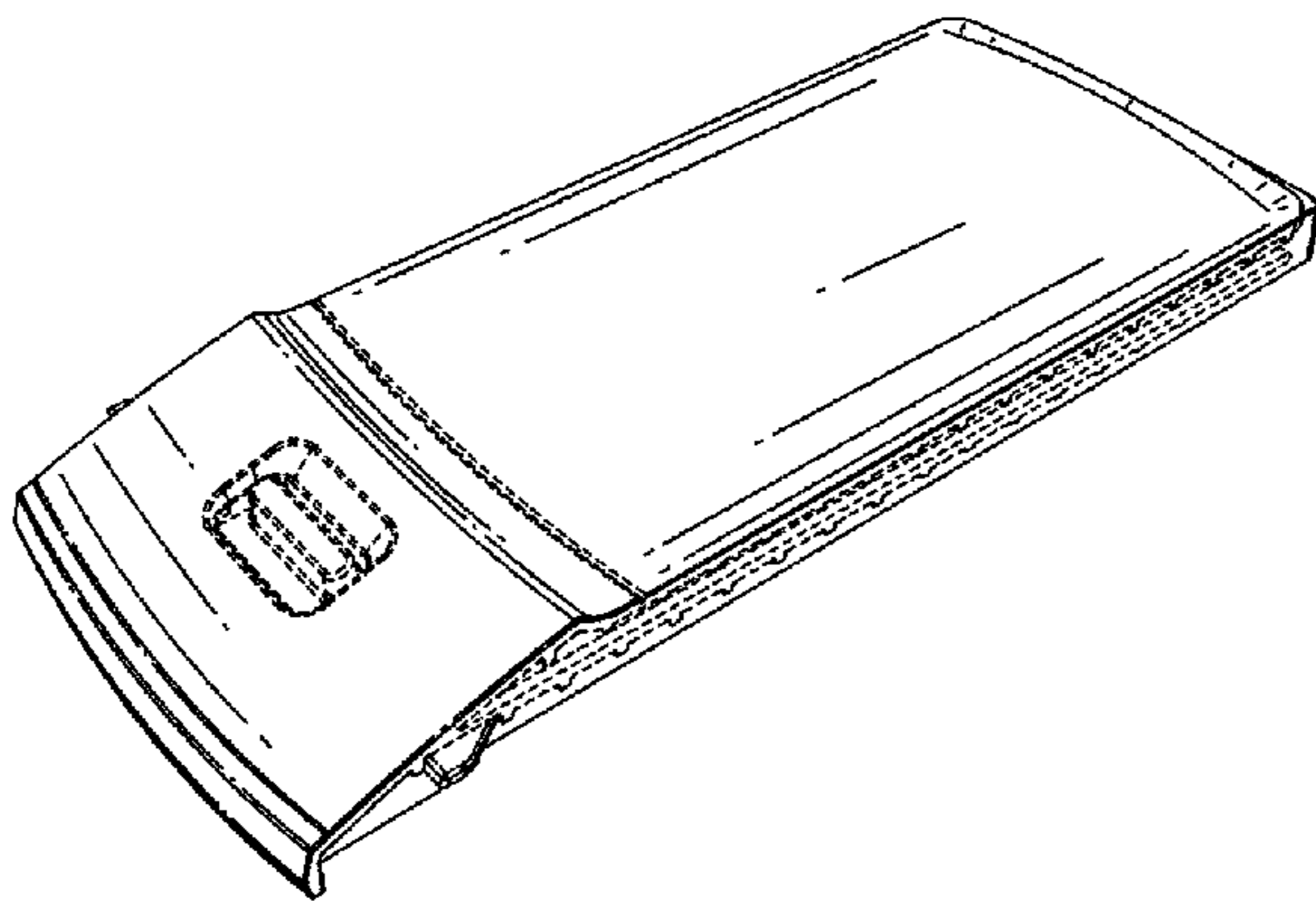
FIG. 6 is a bottom view thereof;

FIG. 7 is a first side view thereof; and,

FIG. 8 is a second side view thereof.

The broken lines in FIGS. 1-8 showing environmental structures are for illustrative purposes and form no part of the claim design.

1 Claim, 5 Drawing Sheets



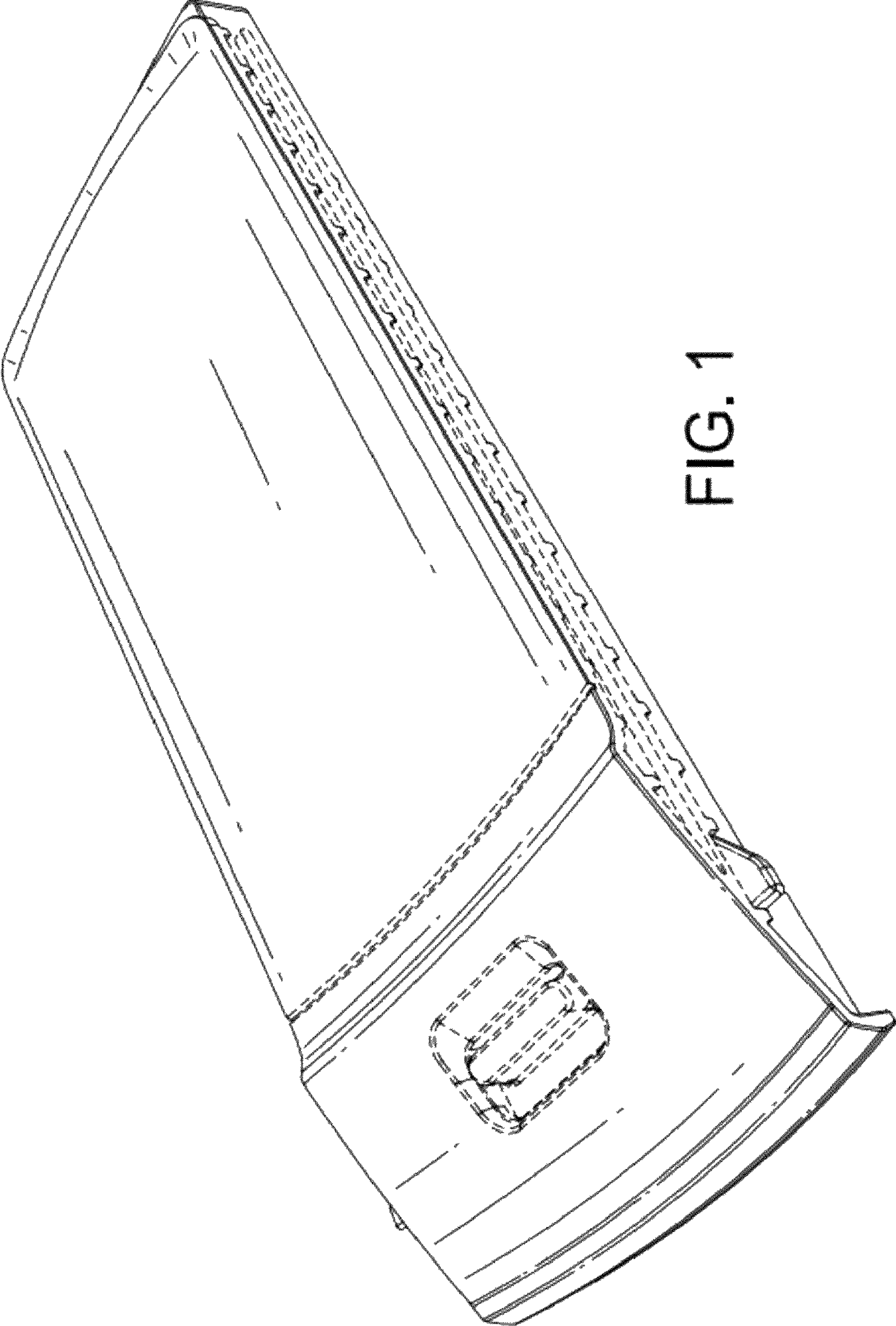


FIG. 1

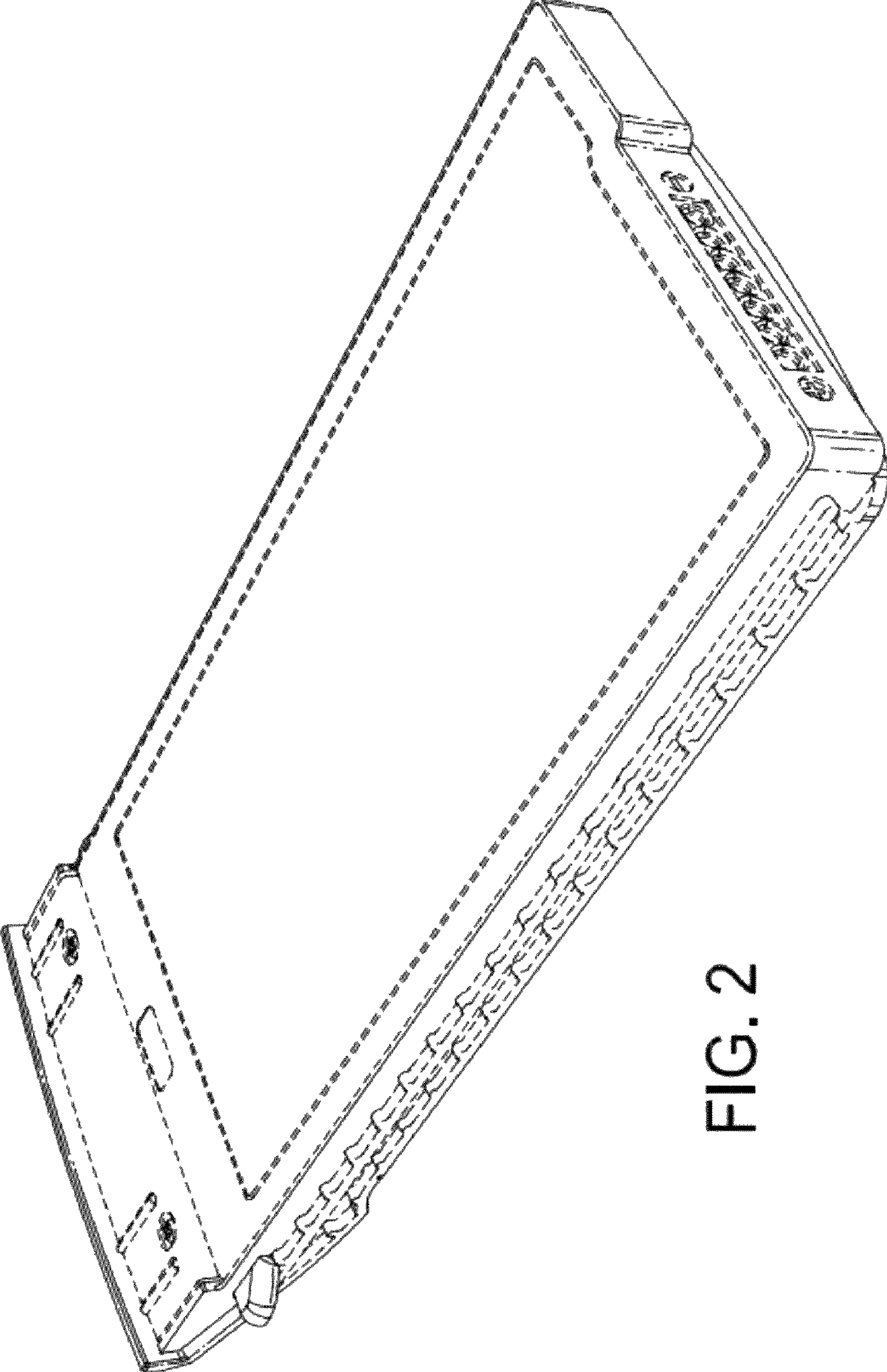


FIG. 2

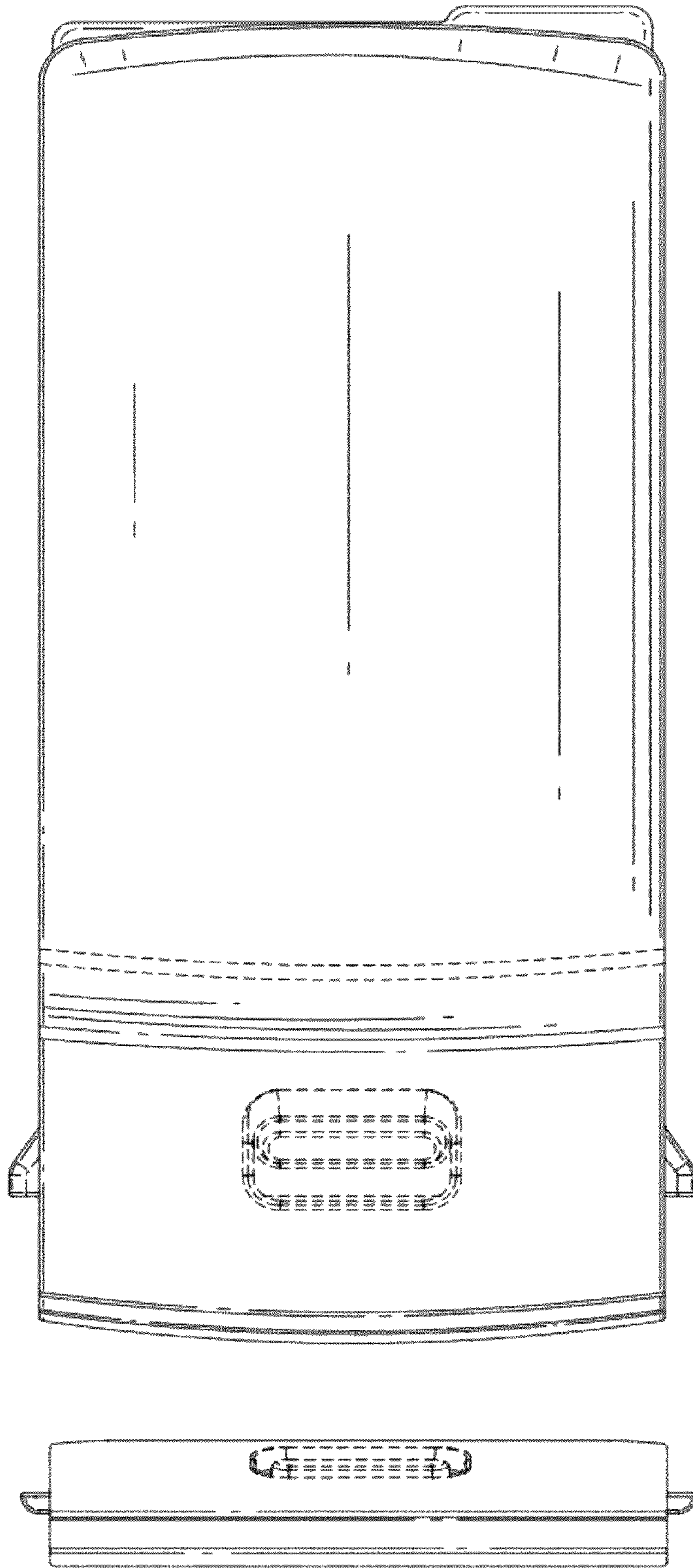


FIG. 3

FIG. 4

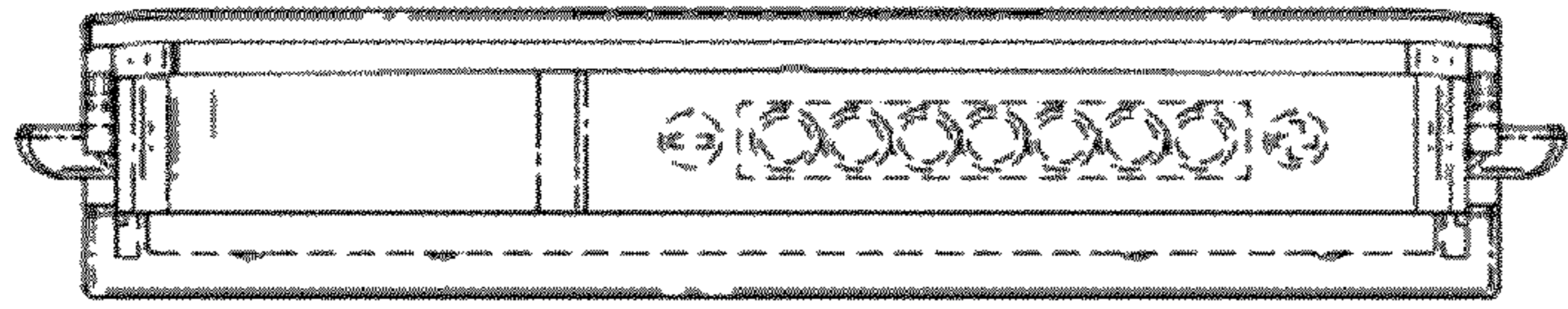


FIG. 6

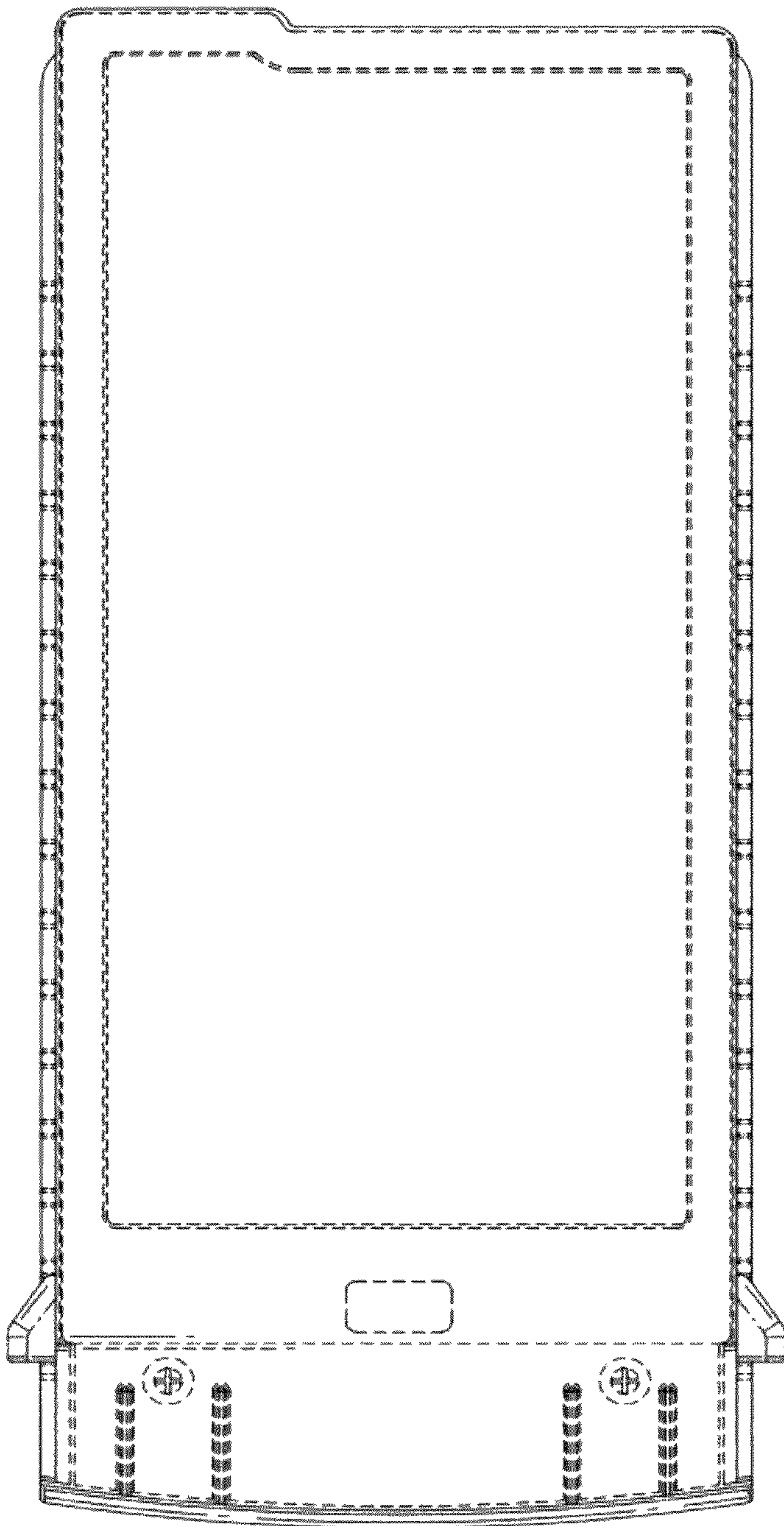


FIG. 5

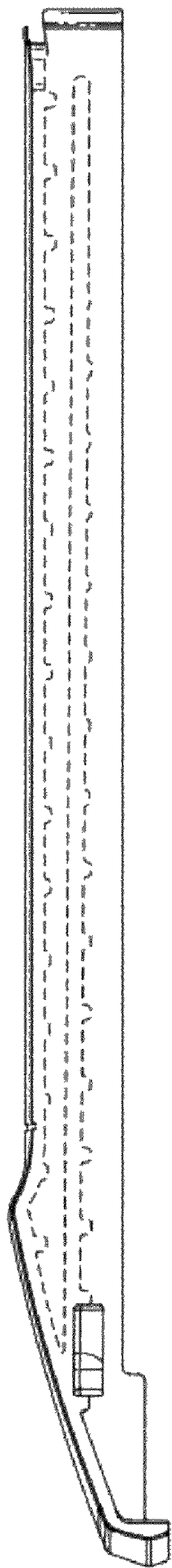


FIG. 7

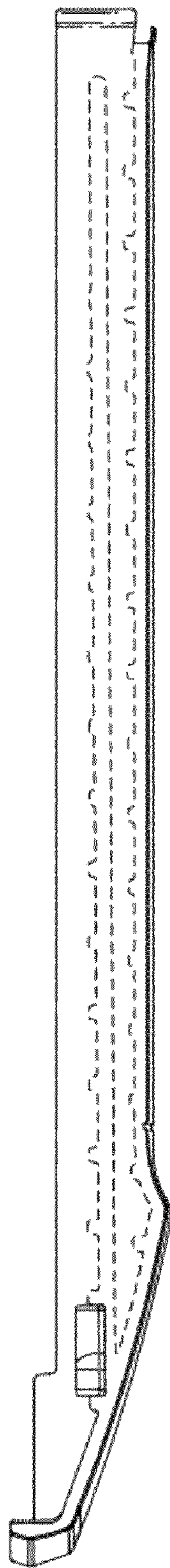


FIG. 8