



US00D654851S

(12) **United States Design Patent**
Tanaka

(10) **Patent No.:** **US D654,851 S**

(45) **Date of Patent:** **** Feb. 28, 2012**

(54) **BATTERY**

(75) Inventor: **Soichi Tanaka**, Tokyo (JP)

(73) Assignee: **Sony Corporation**, Tokyo (JP)

(**) Term: **14 Years**

(21) Appl. No.: **29/371,465**

(22) Filed: **Mar. 9, 2011**

(30) **Foreign Application Priority Data**

Dec. 10, 2010 (JP) D2010-029435
Dec. 10, 2010 (JP) D2010-029436

(51) **LOC (9) Cl.** **13-02**

(52) **U.S. Cl.** **D13/103**

(58) **Field of Classification Search** D13/102-106,
D13/110, 118-119, 184, 199; 429/96-100,
429/163, 176

See application file for complete search history.

(56) **References Cited**

U.S. PATENT DOCUMENTS

D431,227 S * 9/2000 Ogasawara D13/103
D431,808 S * 10/2000 Ogasawara D13/103
D477,275 S * 7/2003 Wada D13/103
D517,475 S * 3/2006 Yokota D13/103
D519,919 S * 5/2006 Yokota D13/103
D520,942 S * 5/2006 Yokota D13/103
D521,448 S 5/2006 Yokota
D521,449 S * 5/2006 Yokota D13/103
D535,249 S 1/2007 Ogasawara

D554,579 S 11/2007 Ogasawara
D554,580 S * 11/2007 Ogasawara D13/103
D558,140 S * 12/2007 Kumano D13/103
D580,350 S * 11/2008 Iseki D13/103
D580,850 S * 11/2008 Iseki D13/103
D581,866 S * 12/2008 Choi et al. D13/103
D603,330 S * 11/2009 Iseki D13/103

FOREIGN PATENT DOCUMENTS

CN 301215628 S 5/2010
CN 301215629 S 5/2010
JP D1356496 S 4/2009
JP D1386508 S 5/2010
JP D1396157 S 9/2010
JP D1402031 S 11/2010

* cited by examiner

Primary Examiner — Rosemary K Tarcza

(74) *Attorney, Agent, or Firm* — Rader, Fishman & Grauer
PLLC

(57) **CLAIM**

The ornamental design for a battery, as shown and described.

DESCRIPTION

FIG. 1 is a perspective view of a battery showing my new design;

FIG. 2 is a front elevational view thereof;

FIG. 3 is a left side elevational view thereof;

FIG. 4 is a right side elevational view thereof; and,

FIG. 5 is a top plan view thereof.

Portions in broken lines are for illustrative purposes only and form no part of the claimed design.

1 Claim, 4 Drawing Sheets

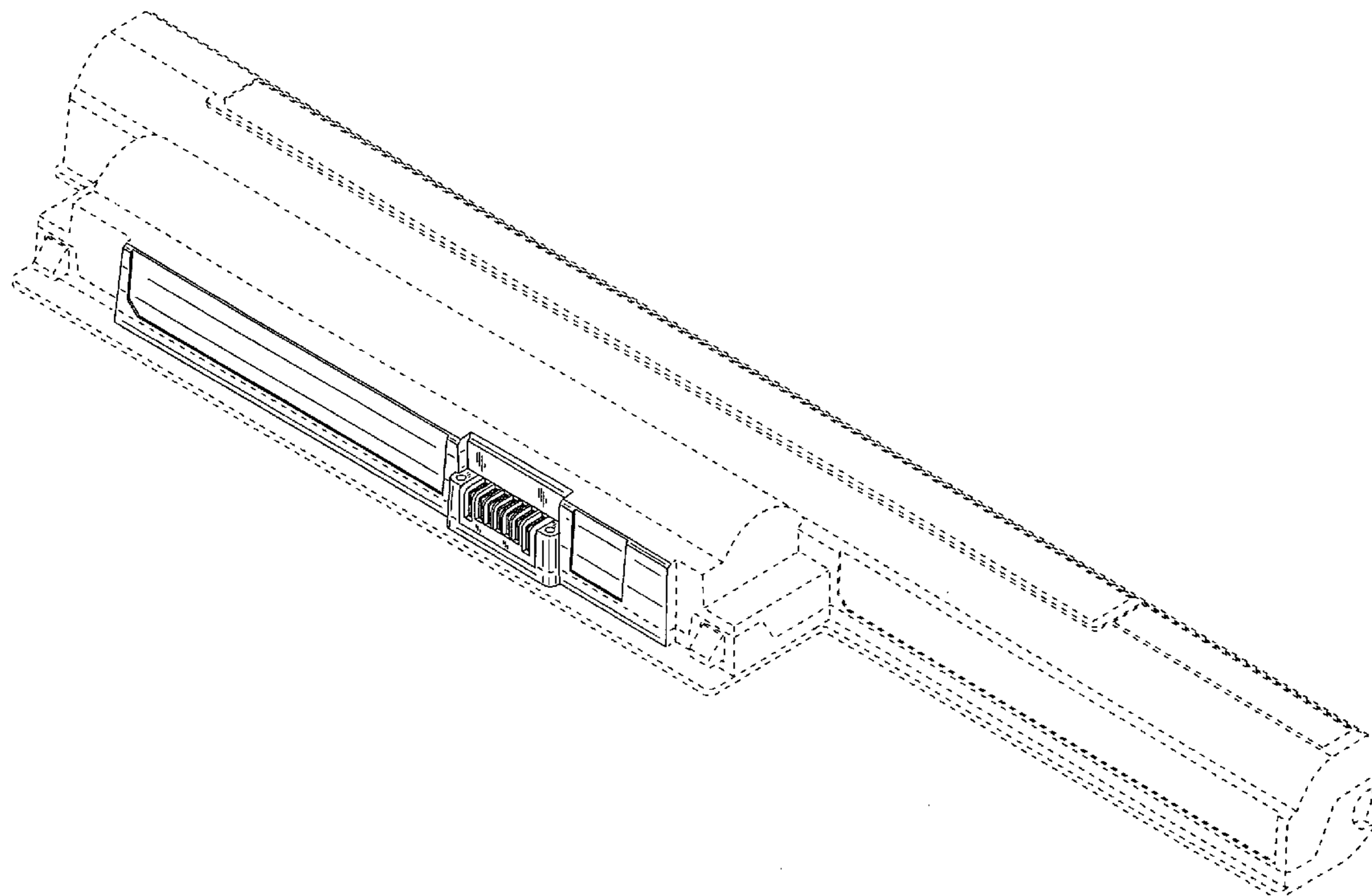


FIG.1

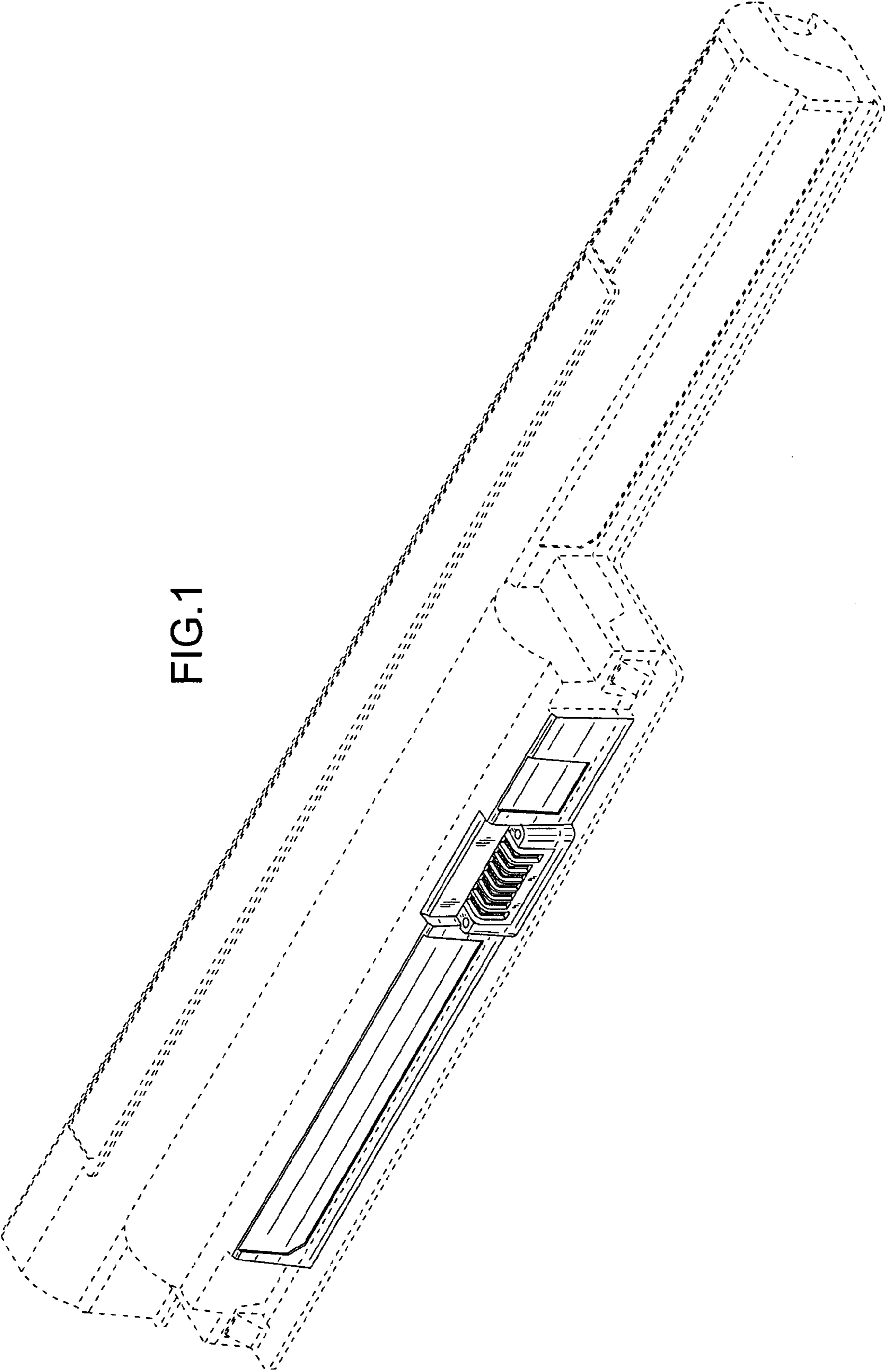


FIG.2

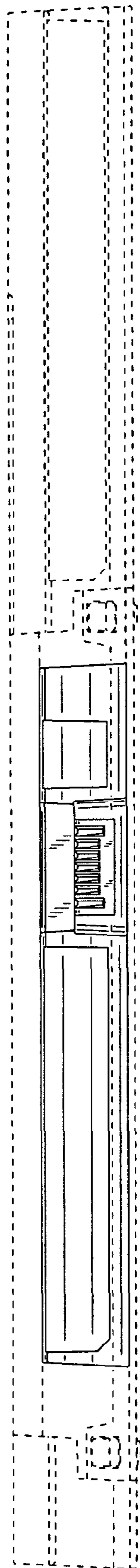


FIG.3

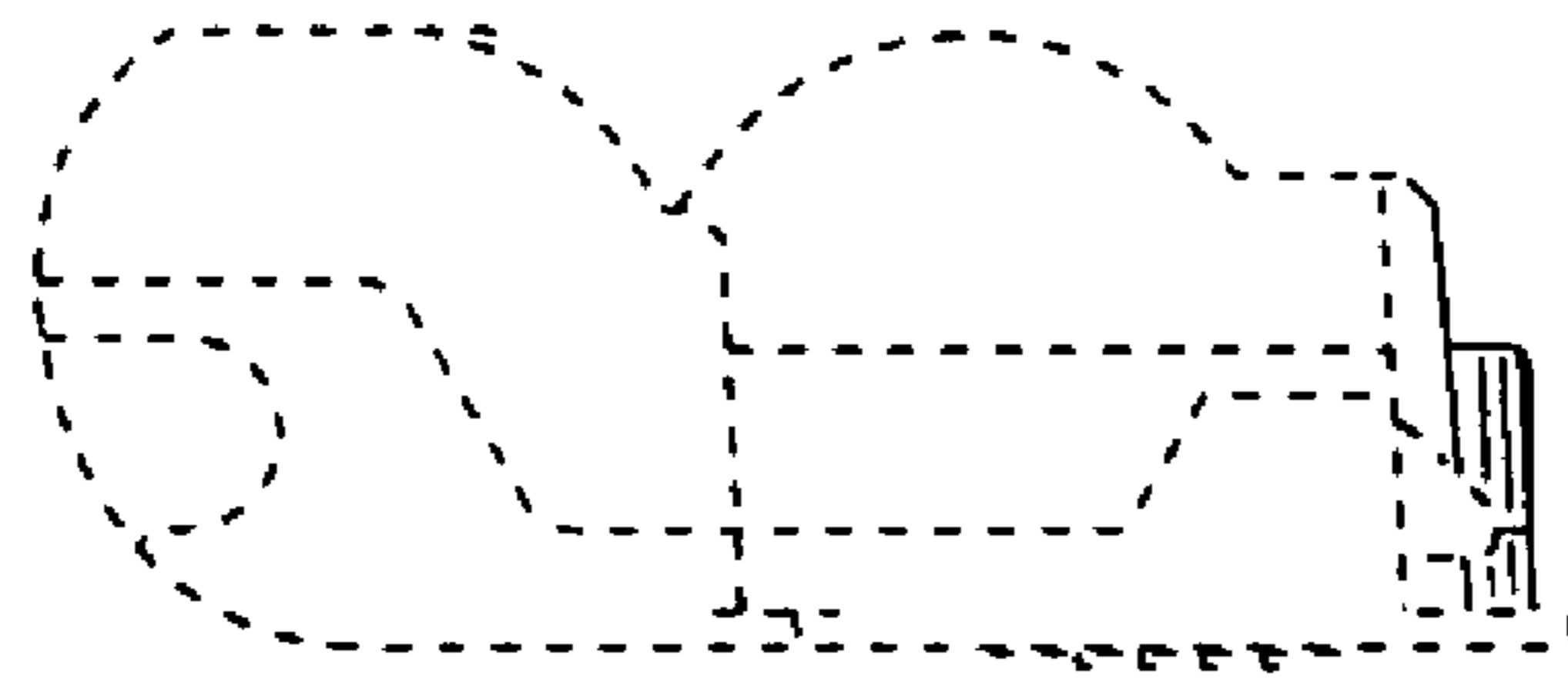


FIG.4

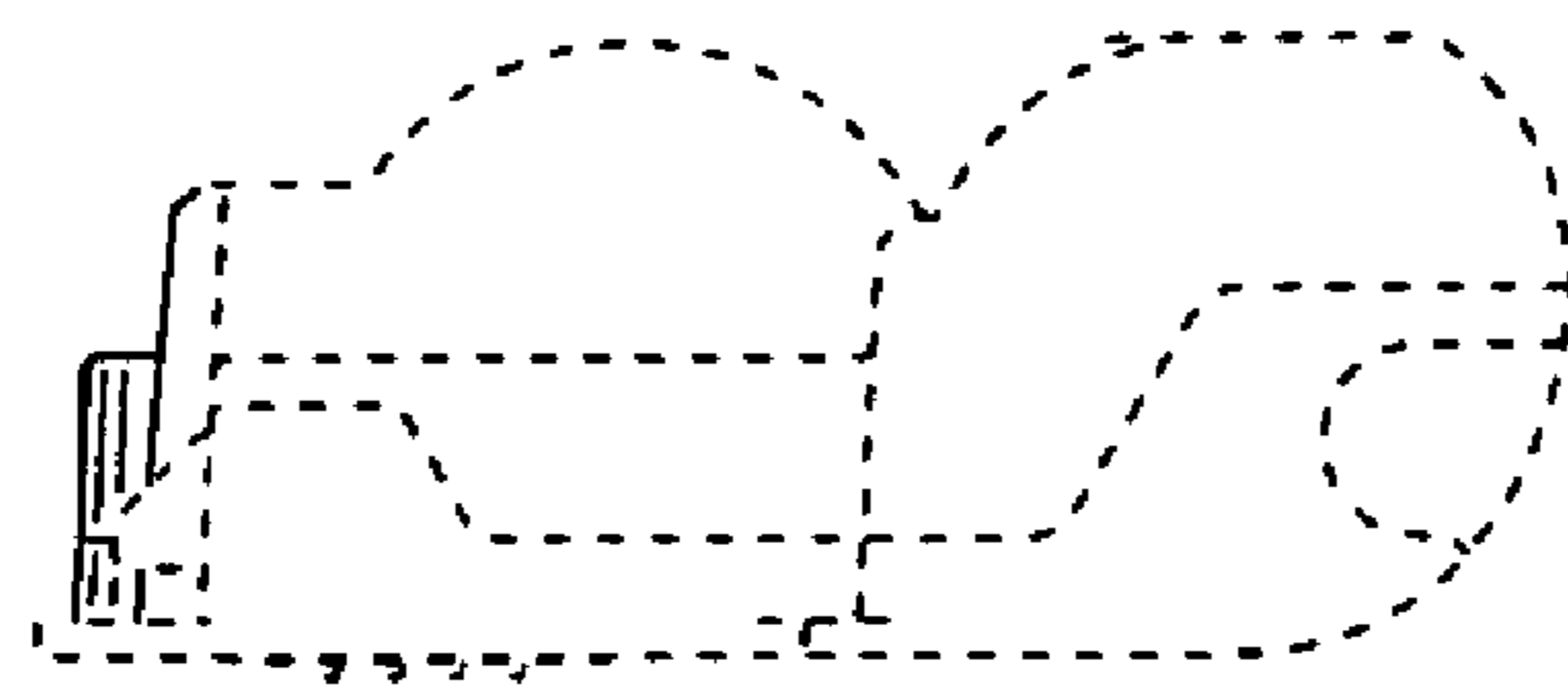


FIG.5

