



US00D654850S

(12) **United States Design Patent**
Obata

(10) **Patent No.:** **US D654,850 S**

(45) **Date of Patent:** **** Feb. 28, 2012**

(54) **RECHARGEABLE BATTERY**

(75) Inventor: **Shinichi Obata**, Tokyo (JP)

(73) Assignee: **Sony Corporation**, Tokyo (JP)

(**) Term: **14 Years**

(21) Appl. No.: **29/371,062**

(22) Filed: **Oct. 6, 2010**

(30) **Foreign Application Priority Data**

Apr. 7, 2010	(JP)	D2010-008775
Apr. 7, 2010	(JP)	D2010-008776
Apr. 7, 2010	(JP)	D2010-008777
Apr. 7, 2010	(JP)	D2010-008778
Apr. 7, 2010	(JP)	D2010-008779
Apr. 7, 2010	(JP)	D2010-008780
Apr. 7, 2010	(JP)	D2010-008781
Apr. 7, 2010	(JP)	D2010-008782
Apr. 7, 2010	(JP)	D2010-008783
Apr. 7, 2010	(JP)	D2010-008784
Apr. 7, 2010	(JP)	D2010-008785
Apr. 7, 2010	(JP)	D2010-008786
Apr. 7, 2010	(JP)	D2010-008787
Apr. 7, 2010	(JP)	D2010-008788

(51) **LOC (9) Cl.** **13-02**

(52) **U.S. Cl.** **D13/103**

(58) **Field of Classification Search** D13/102-106,
D13/110, 118-119, 184, 199; 429/96-100,
429/163, 176

See application file for complete search history.

(56) **References Cited**

U.S. PATENT DOCUMENTS

D307,261 S 4/1990 Miki et al.
(Continued)

Primary Examiner — Rosemary K Tarcza

(74) *Attorney, Agent, or Firm* — Rader, Fishman & Grauer
PLLC

(57) **CLAIM**

The ornamental design for a rechargeable battery, as shown
and described.

DESCRIPTION

FIG. 1 is a front, top, right perspective view of a first embodi-
ment of a rechargeable battery showing my new design;

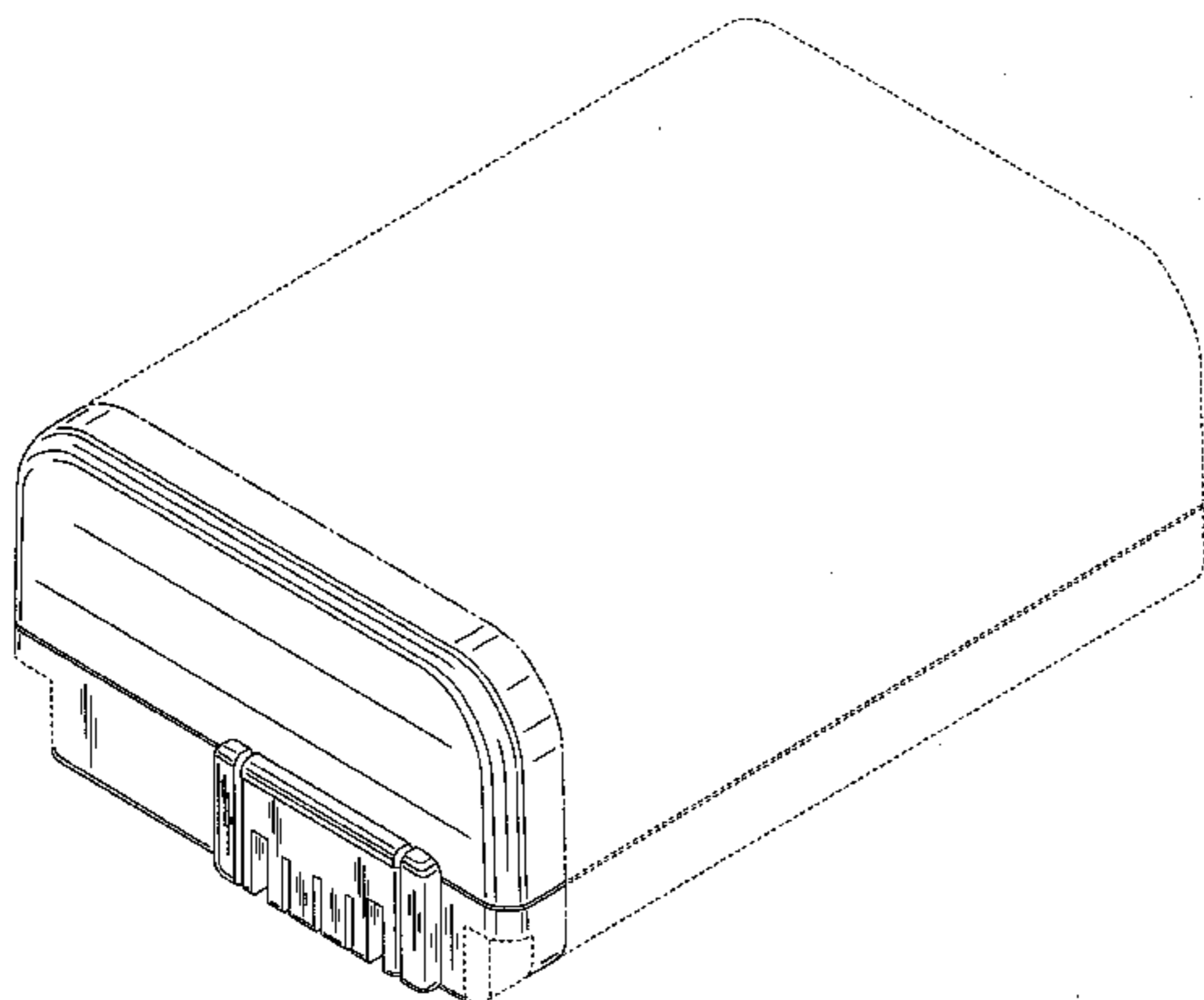


FIG. 2 is a front, bottom, right perspective view thereof;

FIG. 3 is a front elevational view thereof;

FIG. 4 is a left side elevational view thereof;

FIG. 5 is a right side elevational view thereof;

FIG. 6 is a top plan view thereof; and

FIG. 7 is a bottom plan view thereof.

FIG. 8 is a front, top, right perspective view of a second
embodiment of a rechargeable battery showing my new
design;

FIG. 9 is a front, bottom, right perspective view thereof;

FIG. 10 is a front elevational view thereof;

FIG. 11 is a left side elevational view thereof;

FIG. 12 is a right side elevational view thereof;

FIG. 13 is a top plan view thereof; and

FIG. 14 is a bottom plan view thereof.

FIG. 15 is a front, top, right perspective view of a third
embodiment of a rechargeable battery showing my new
design;

FIG. 16 is a front, bottom, right perspective view thereof;

FIG. 17 is a front elevational view thereof;

FIG. 18 is a left elevational view thereof;

FIG. 19 is a right side elevational view thereof;

FIG. 20 is a top plan view thereof; and

FIG. 21 is a bottom plan view thereof.

FIG. 22 is a front, top, right perspective view of a fourth
embodiment of a rechargeable battery showing my new
design;

FIG. 23 is a front, bottom, right perspective view thereof;

FIG. 24 is a front elevational view thereof;

FIG. 25 is a left elevational view thereof;

FIG. 26 is a right side elevational view thereof;

FIG. 27 is a top plan view thereof; and,

FIG. 28 is a bottom plan view thereof.

Portions in broken lines are for illustrative purposes only and
form no part of the claimed design. Dot-dash lines define the
boundaries of, but not included in, the claimed design.

1 Claim, 24 Drawing Sheets

US D654,850 S

Page 2

U.S. PATENT DOCUMENTS

D426,190 S *	6/2000	Higgins et al.	D13/119	D535,249 S	1/2007	Ogasawara	
D480,682 S	10/2003	Kawase		D554,579 S *	11/2007	Ogasawara	D13/103
D481,995 S *	11/2003	Yokota	D13/103	D554,580 S *	11/2007	Ogasawara	D13/103
D491,137 S	6/2004	Suzuki		D556,680 S *	12/2007	Matsumoto	D13/103
D503,922 S	4/2005	Shimizu		D560,159 S *	1/2008	Matsumoto	D13/103
D508,018 S	8/2005	Yokota		D580,350 S	11/2008	Iseki	
D512,371 S *	12/2005	Axelrod	D13/103	D580,850 S	11/2008	Iseki	
D515,025 S	2/2006	Yokota		7,485,394 B2 *	2/2009	Takeshita et al.	429/179
D517,475 S	3/2006	Yokota		D591,673 S	5/2009	Ogasawara	
D519,919 S	5/2006	Yokota		7,824,799 B2 *	11/2010	Takeshita et al.	429/179
D520,942 S	5/2006	Yokota		D637,552 S *	5/2011	Inman et al.	D13/103
D521,449 S	5/2006	Yokota		D642,517 S *	8/2011	Inman et al.	D13/103
D524,241 S	7/2006	Takeshita et al.					

* cited by examiner

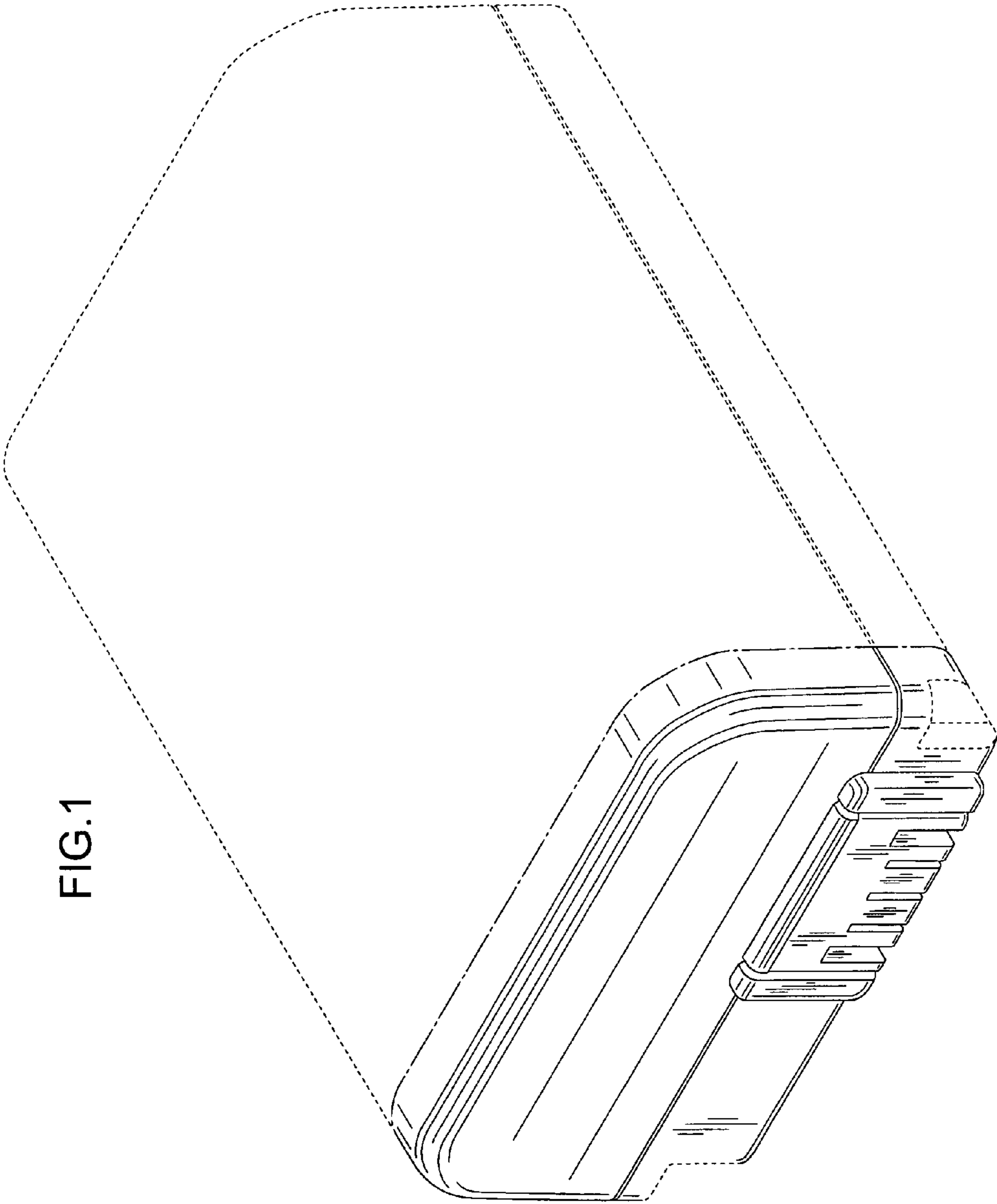


FIG. 1

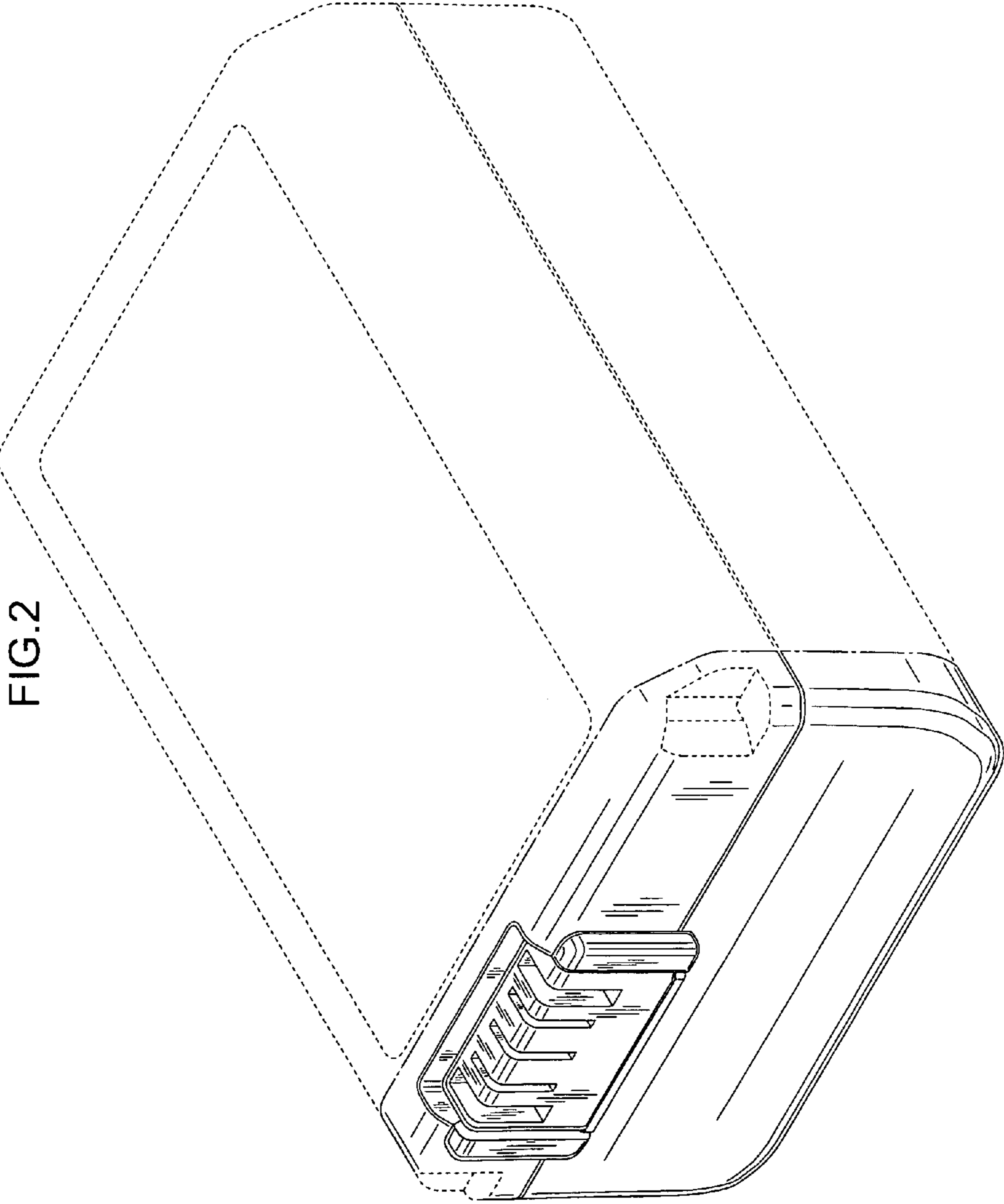
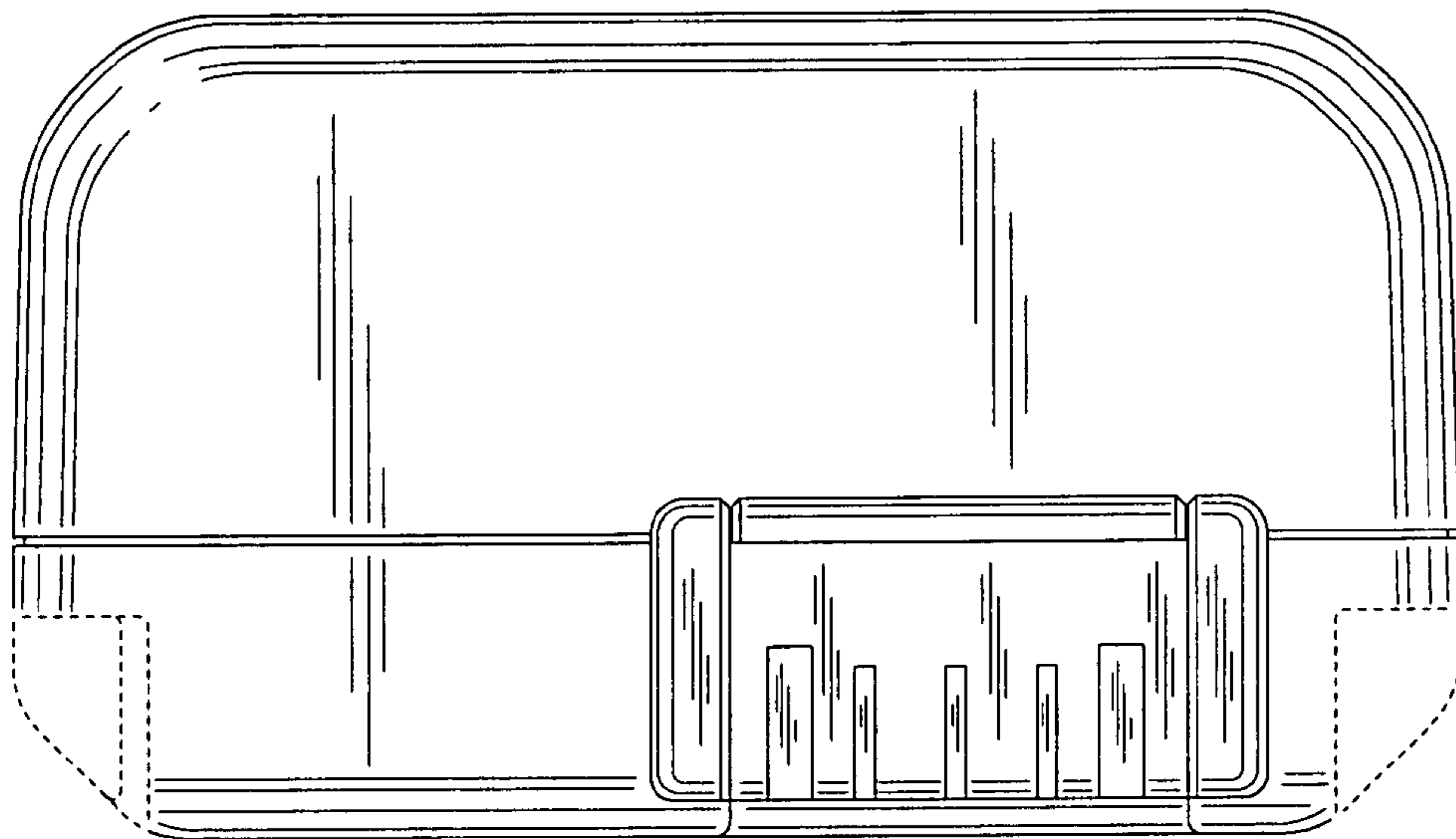


FIG. 2

FIG.3



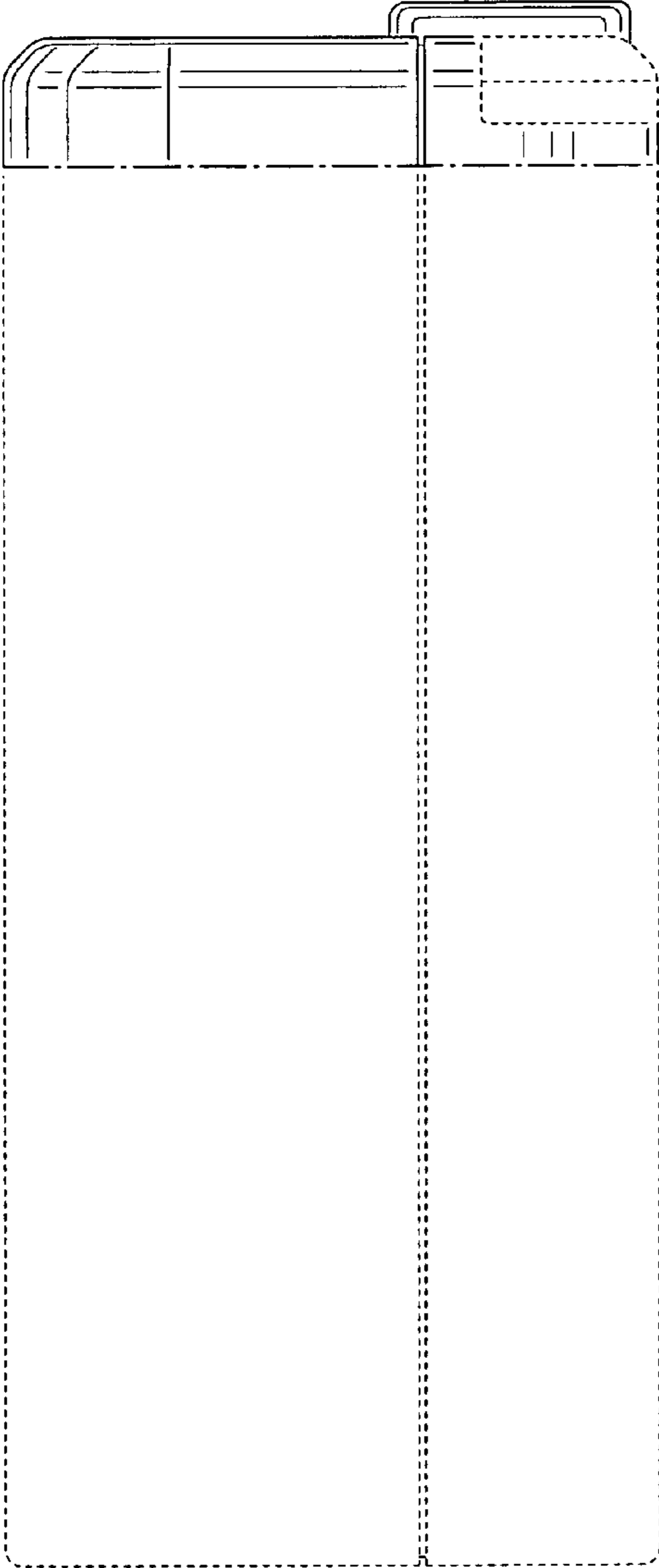


FIG. 4

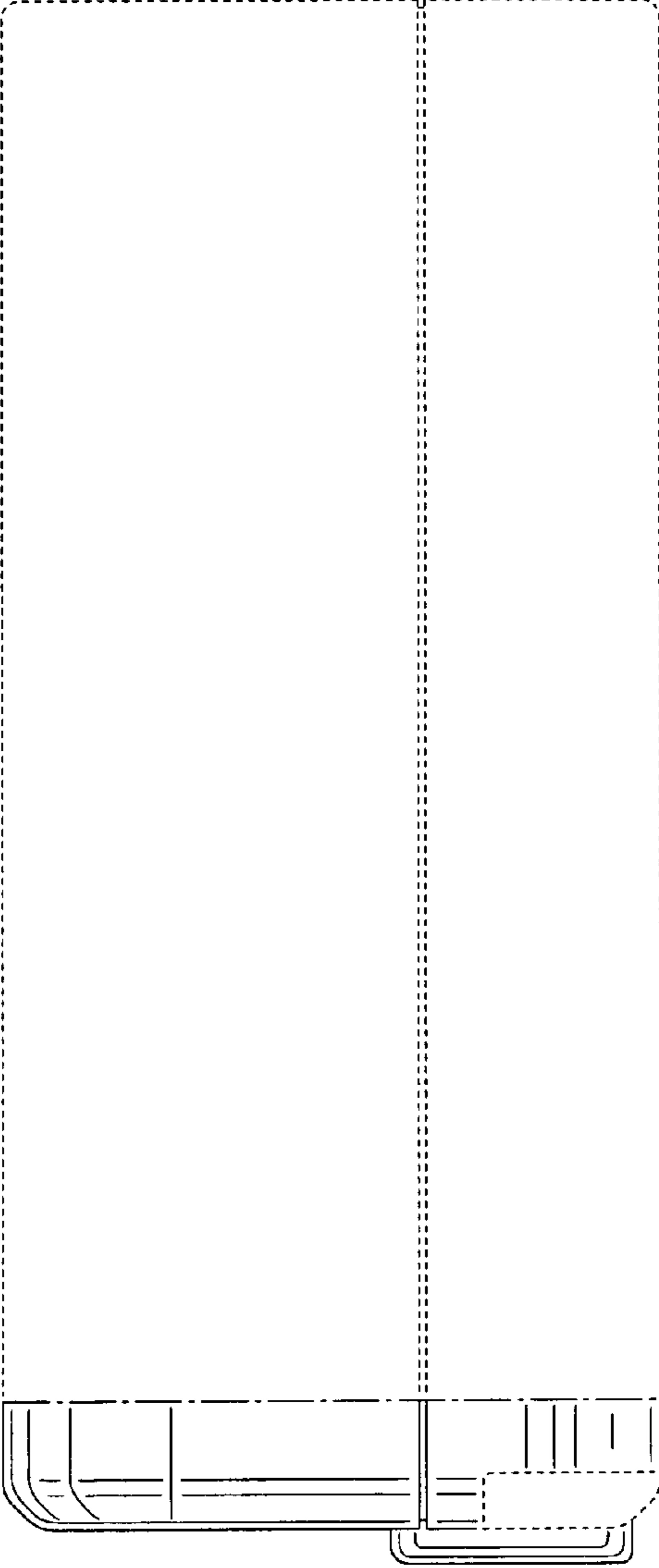


FIG. 5

FIG.6

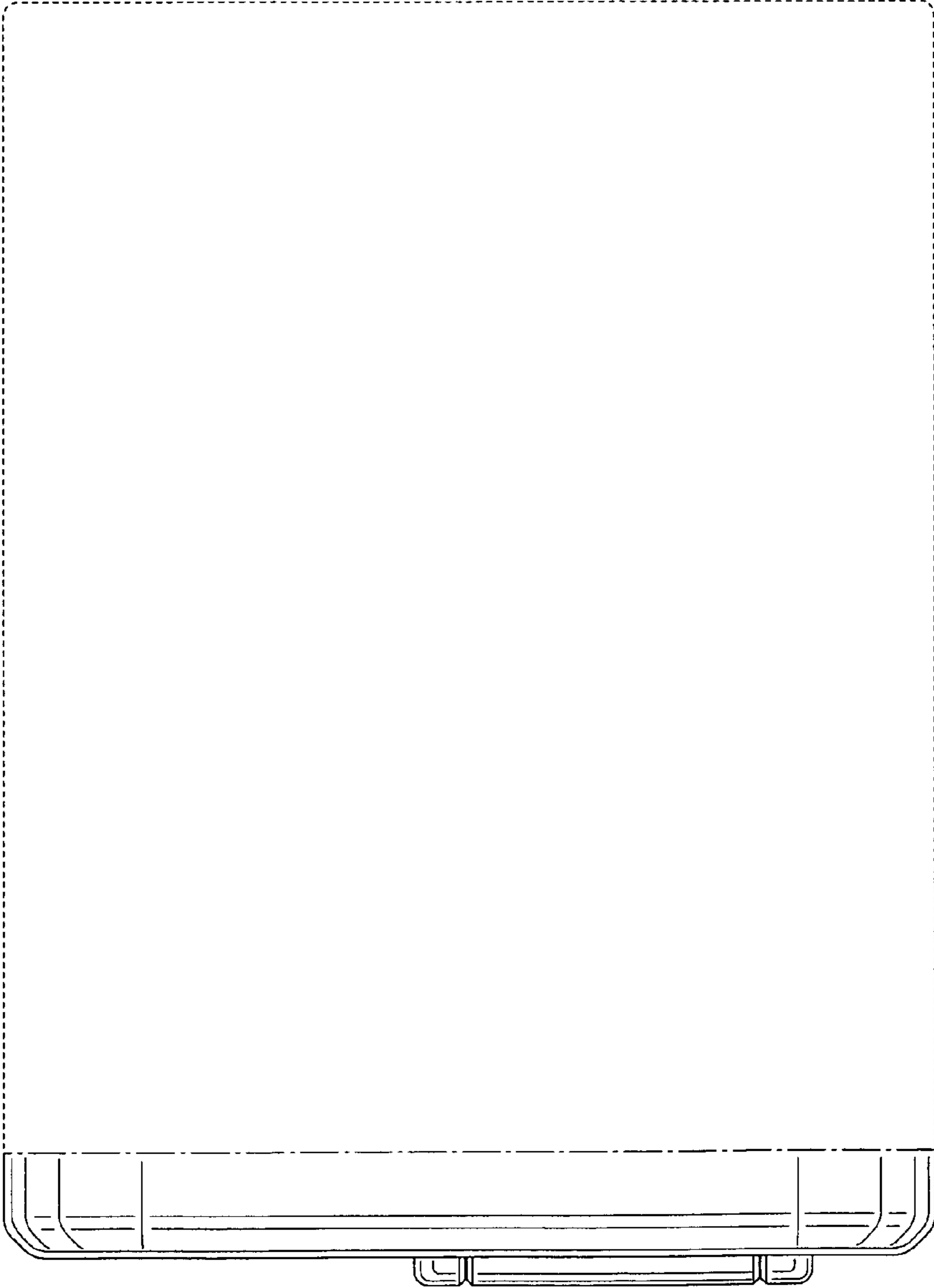
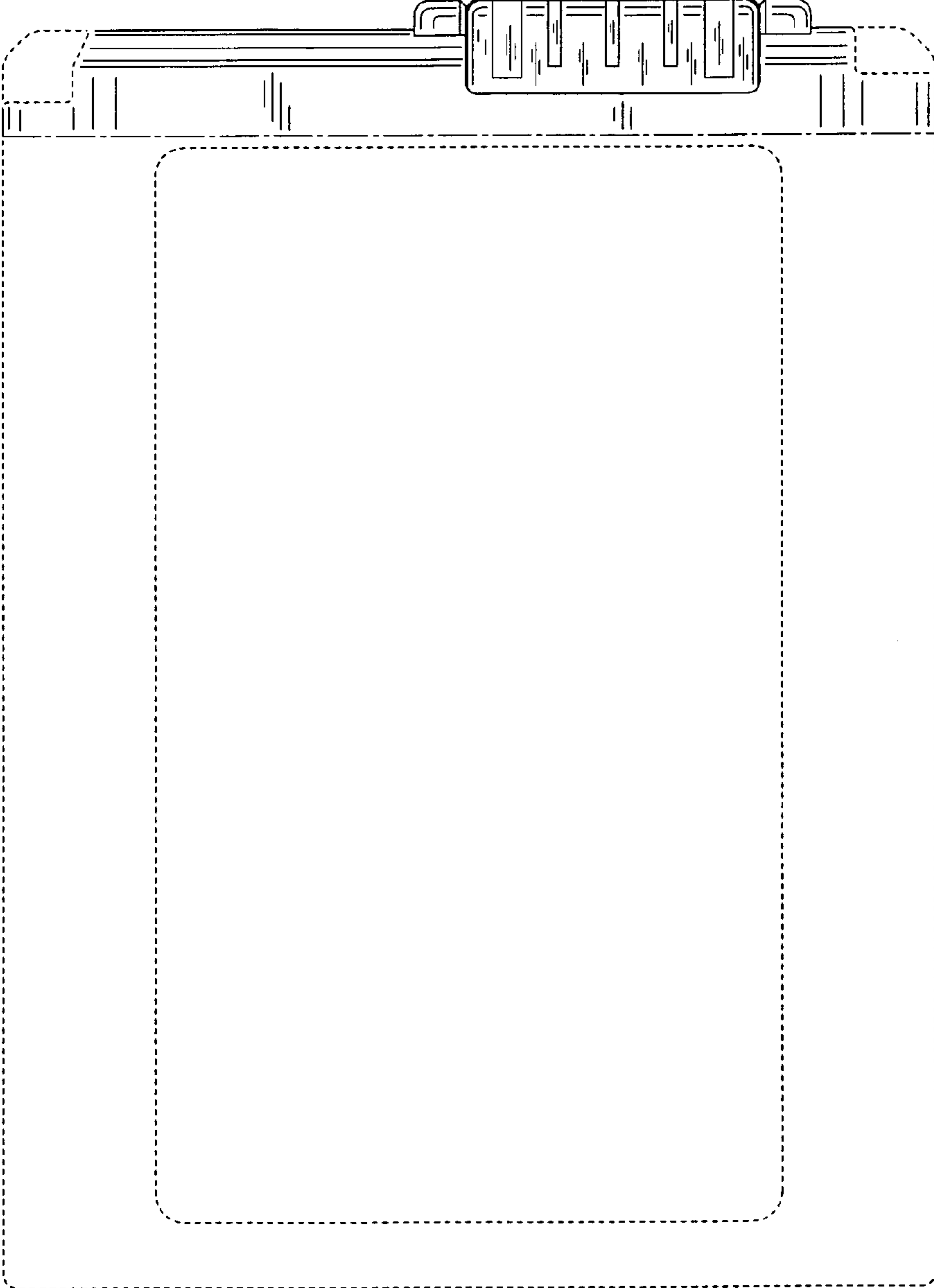


FIG.7



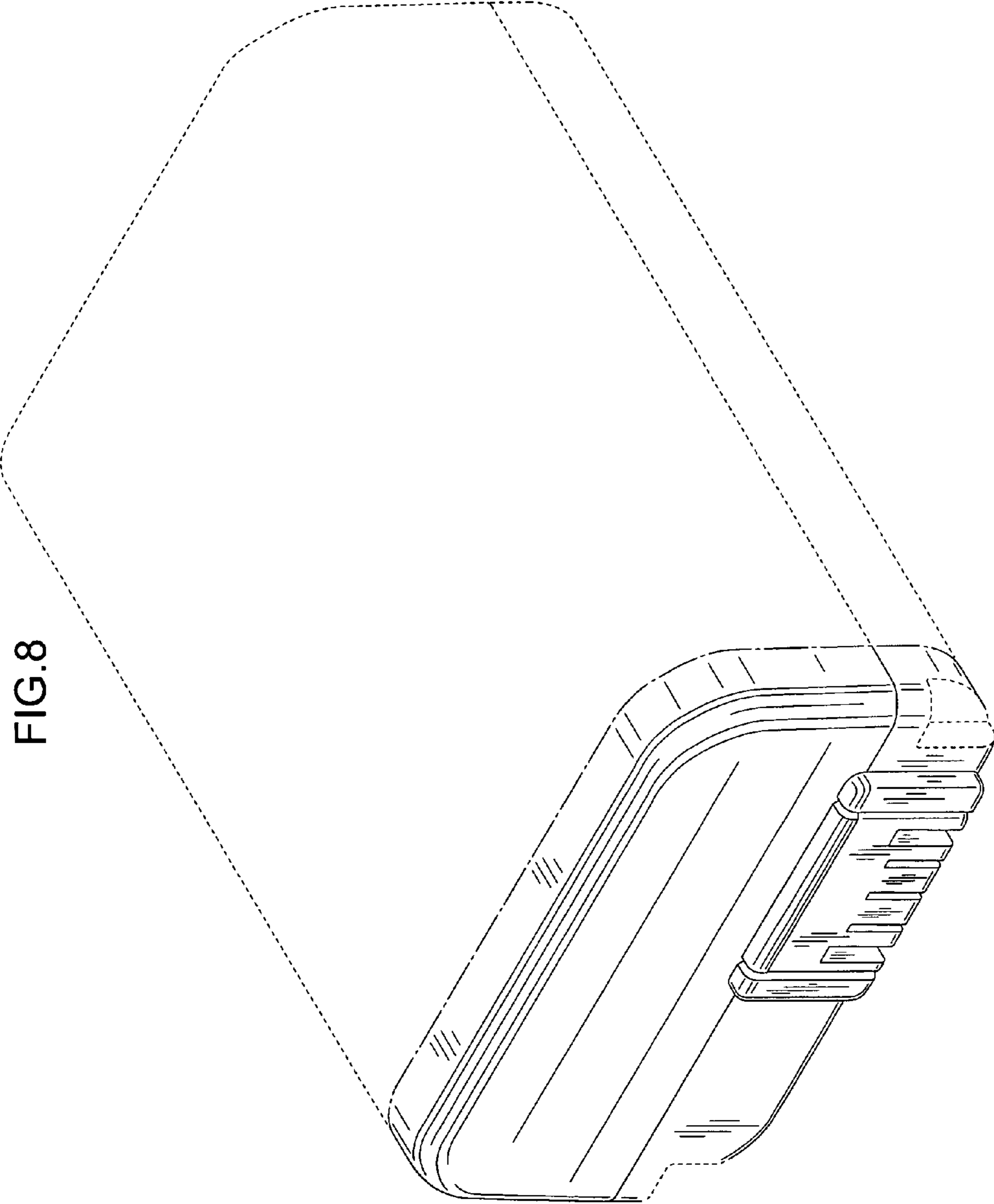


FIG. 8

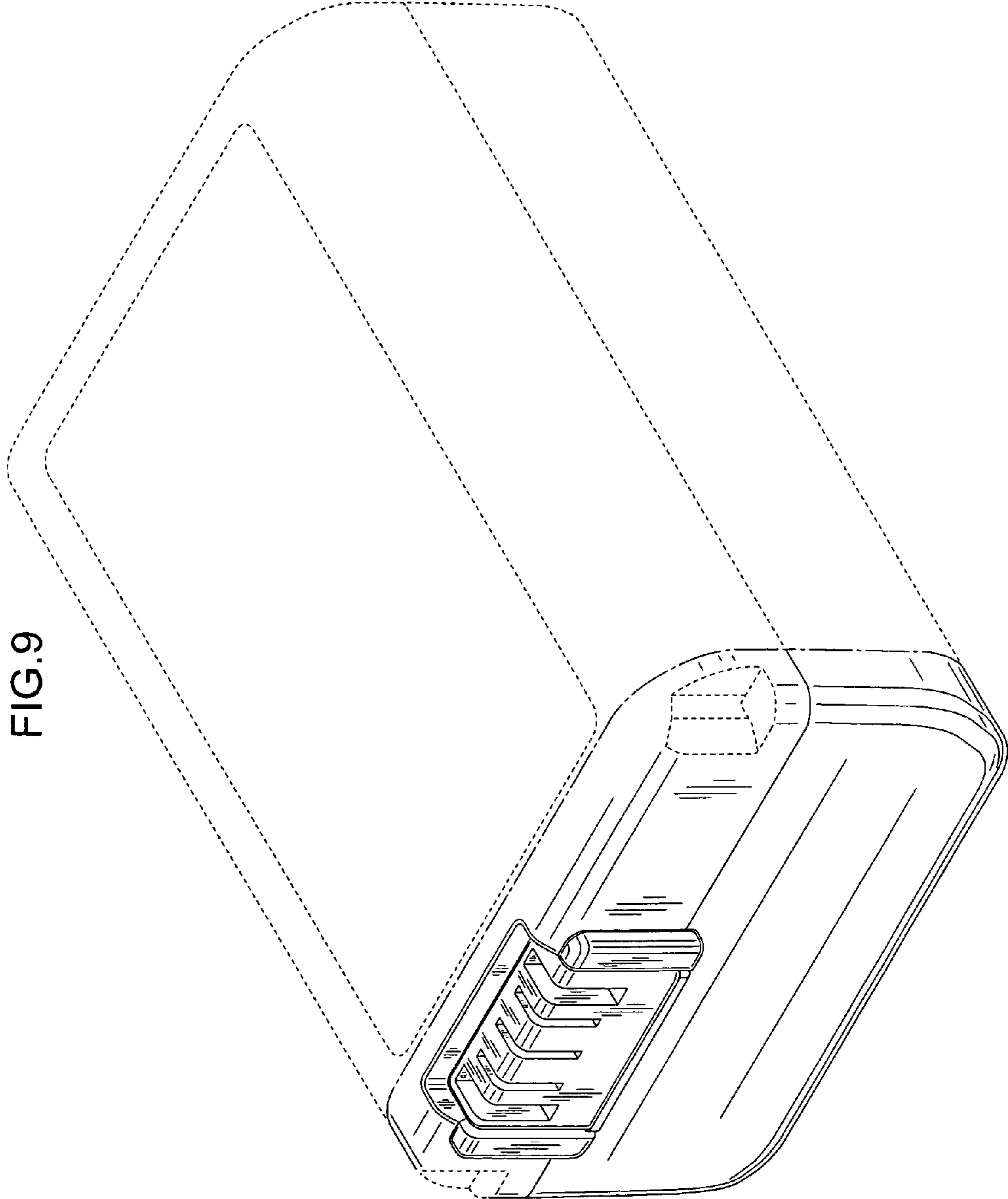
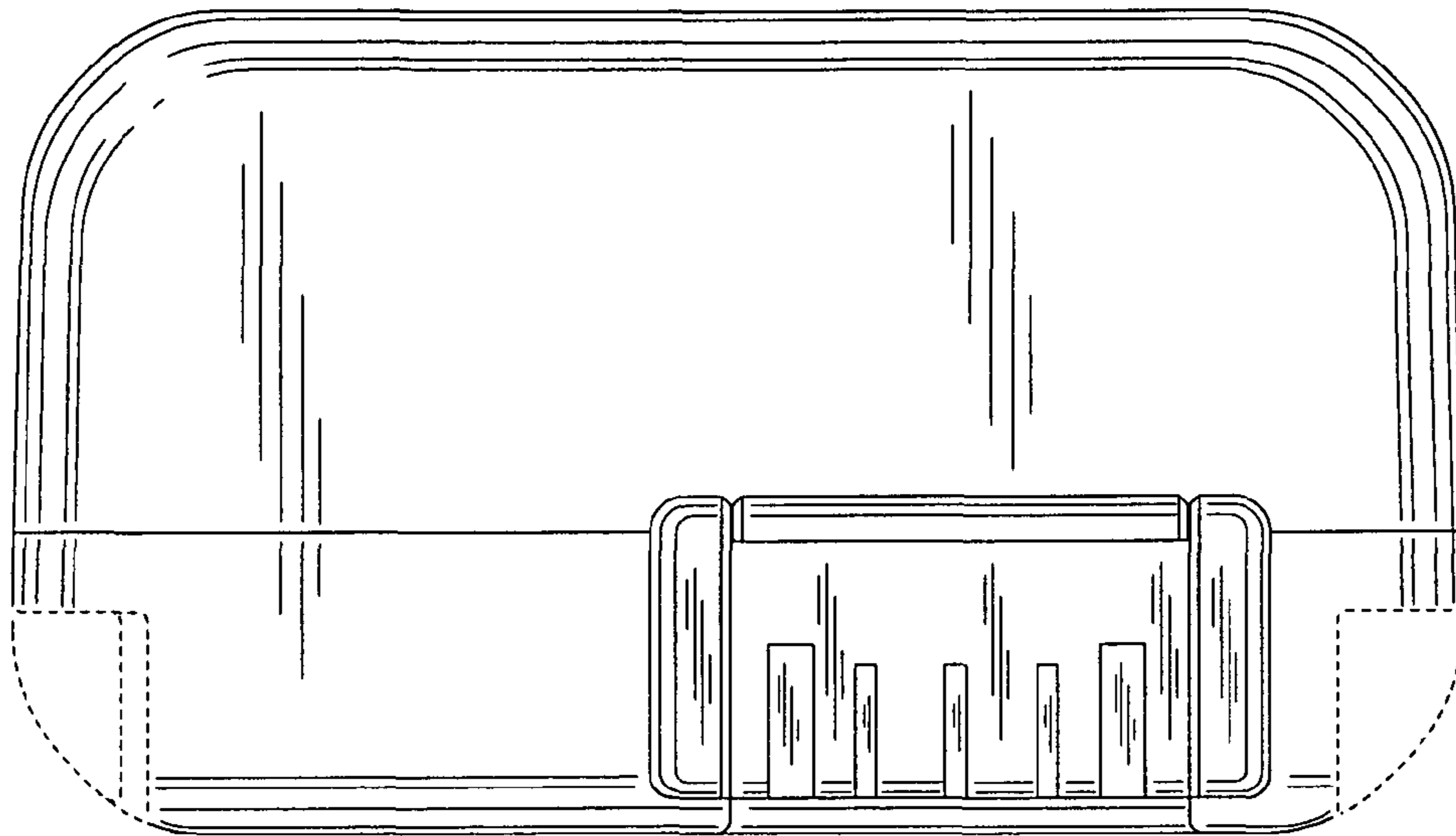


FIG. 9

FIG.10



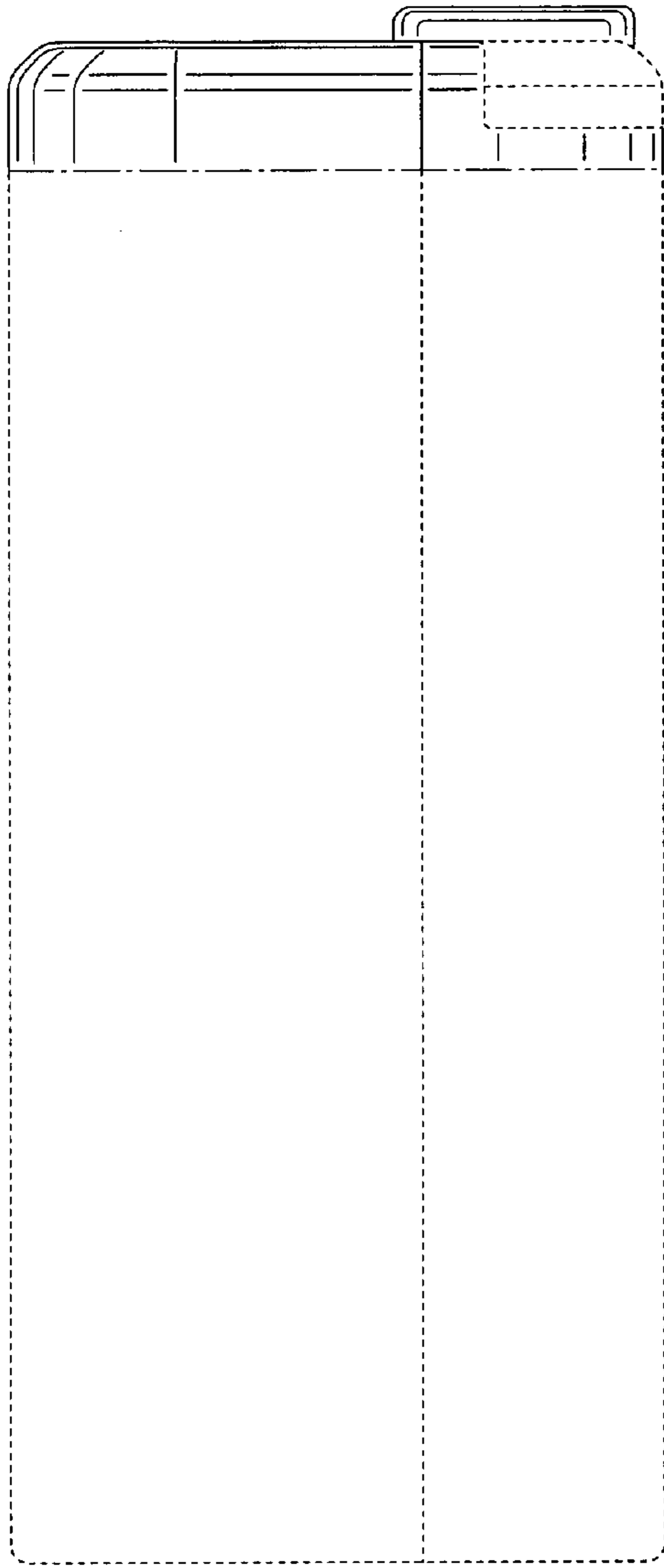


FIG. 11



FIG. 12

FIG.13

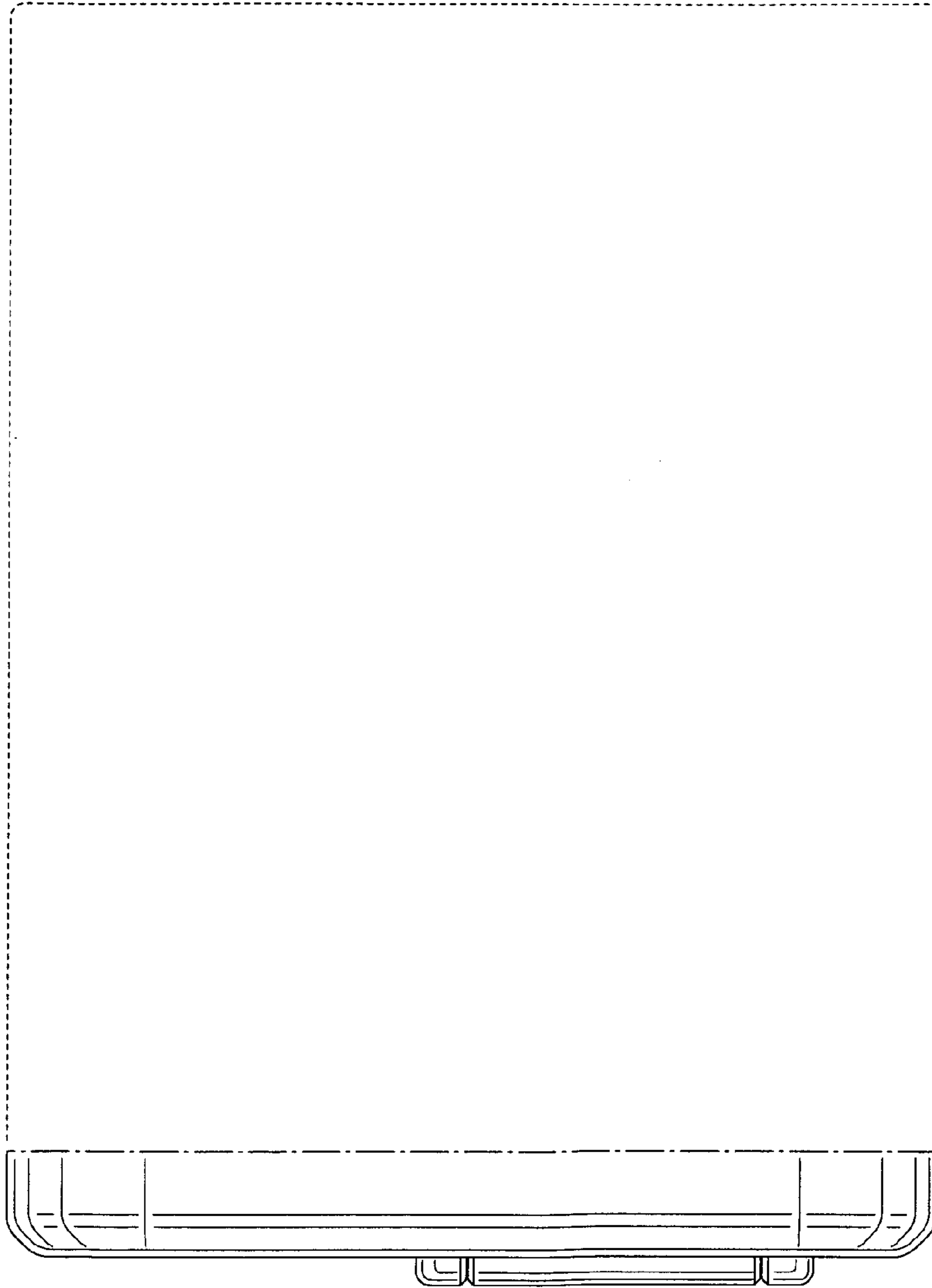


FIG.14

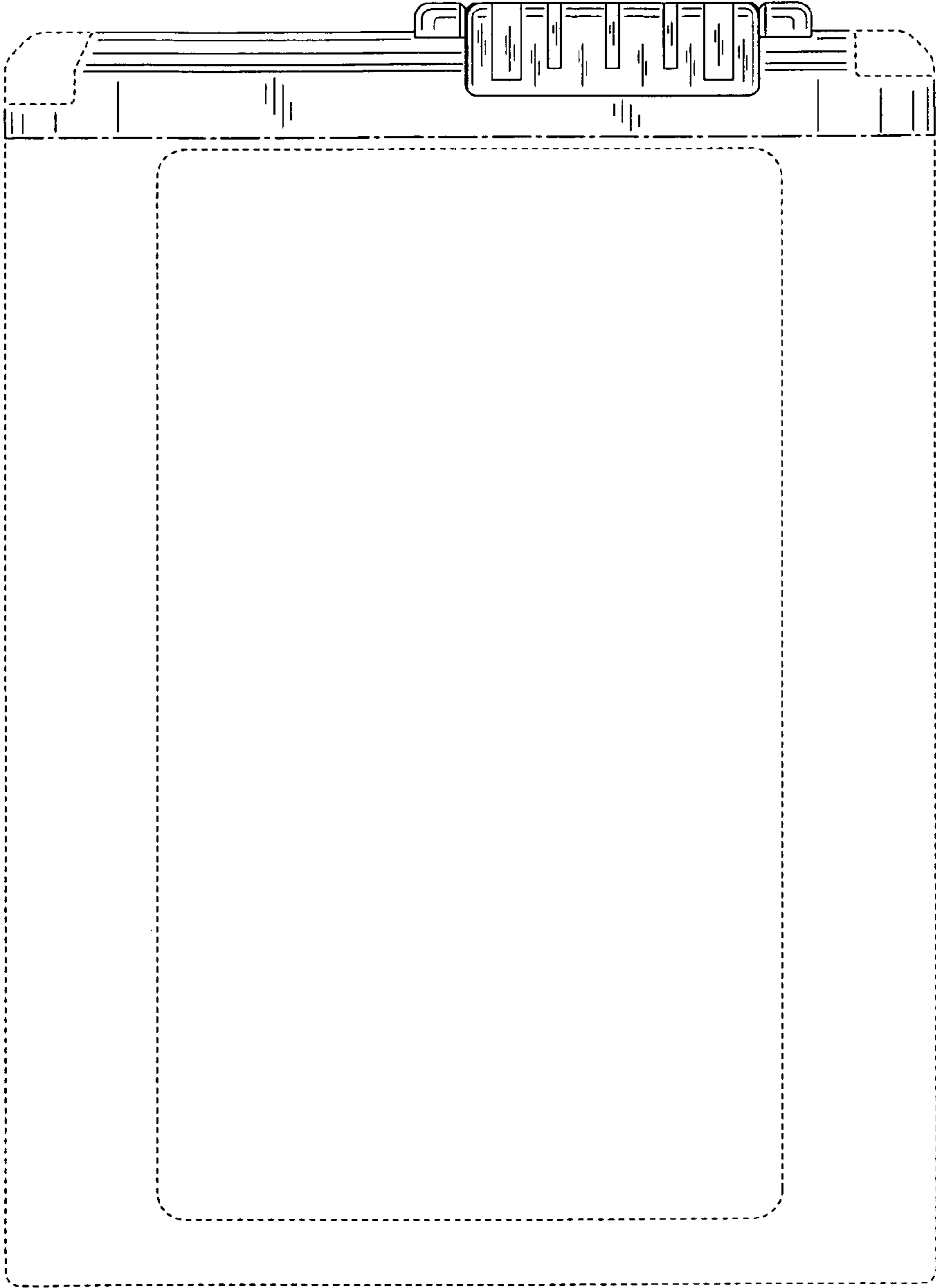
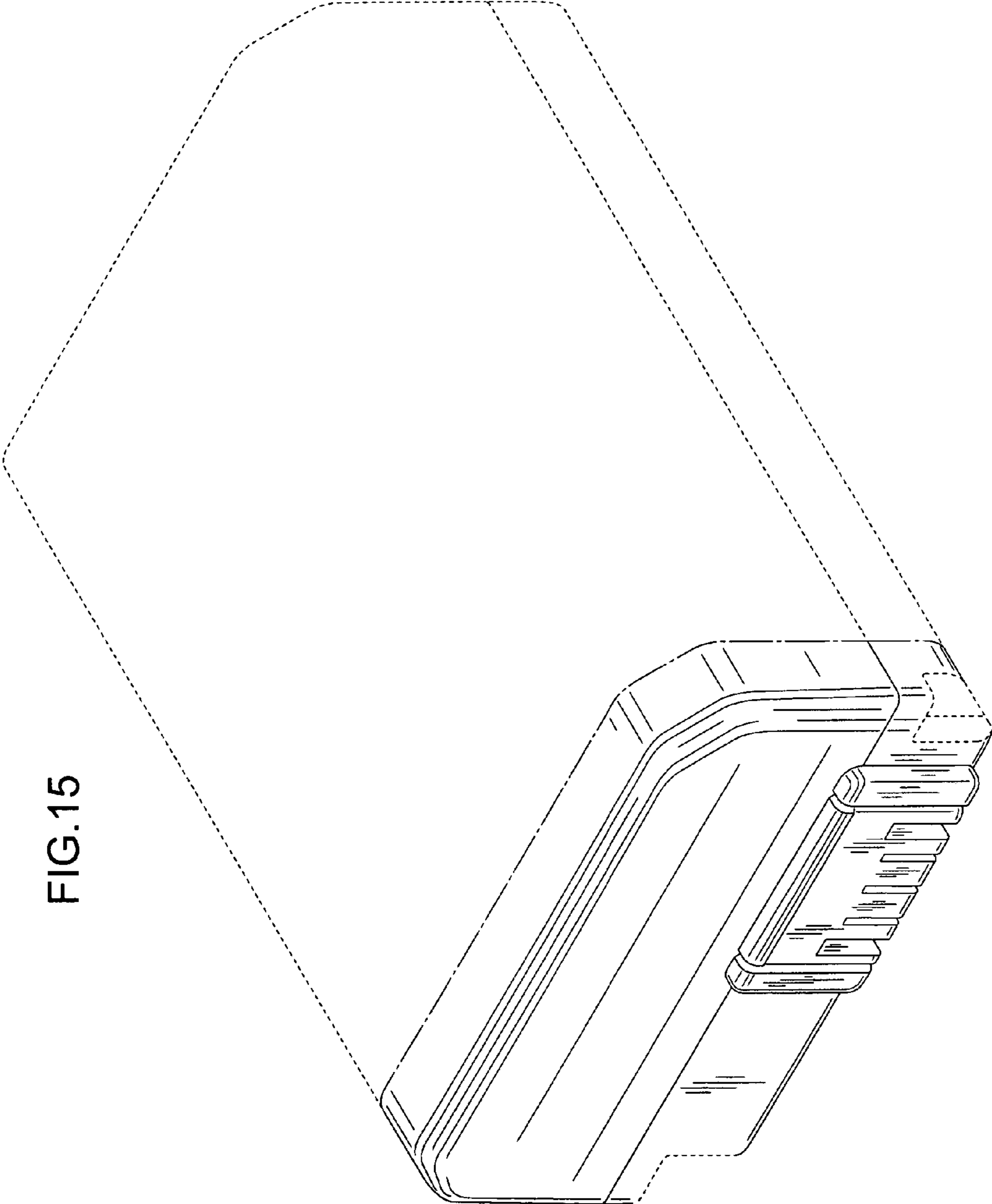


FIG.15



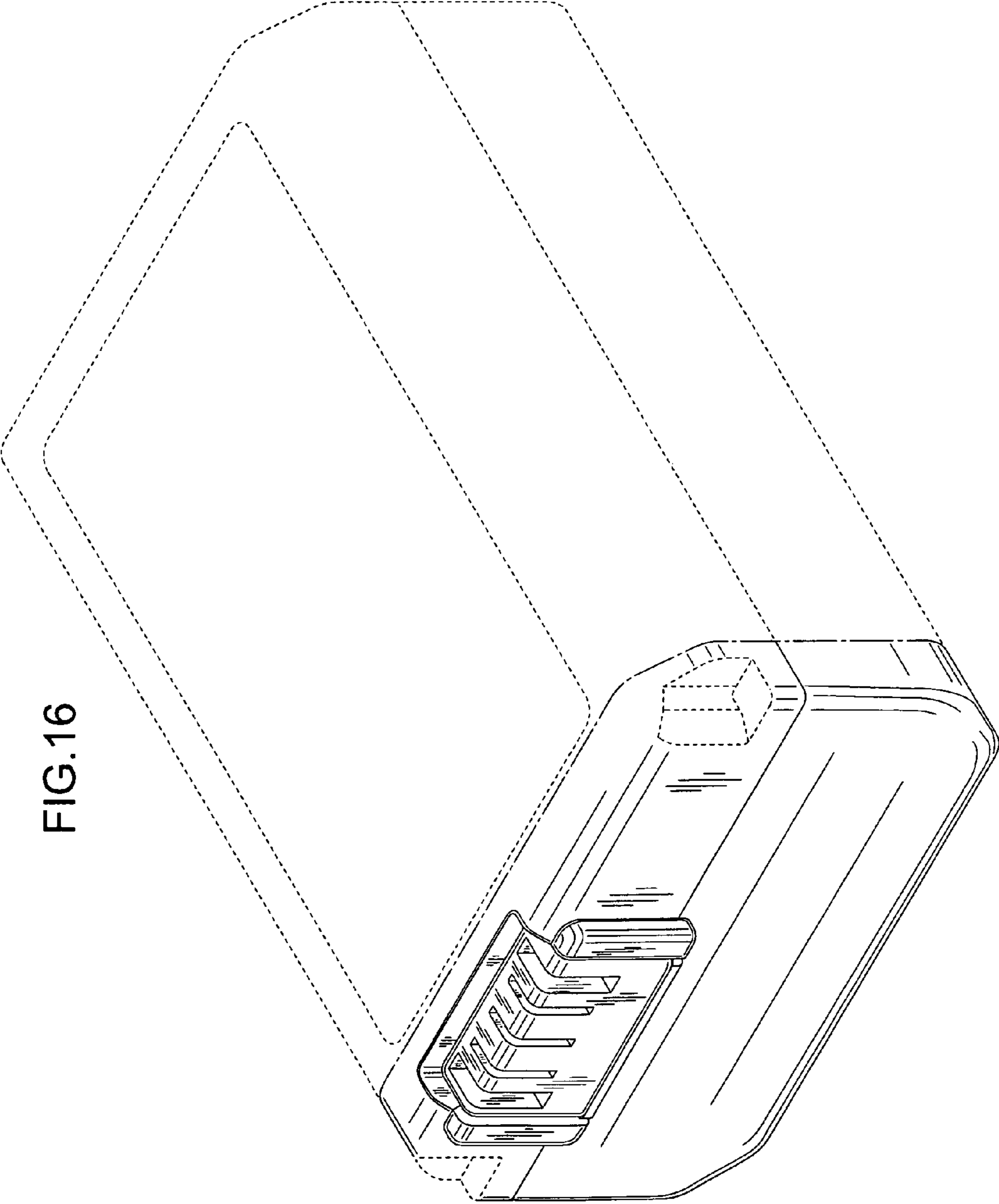
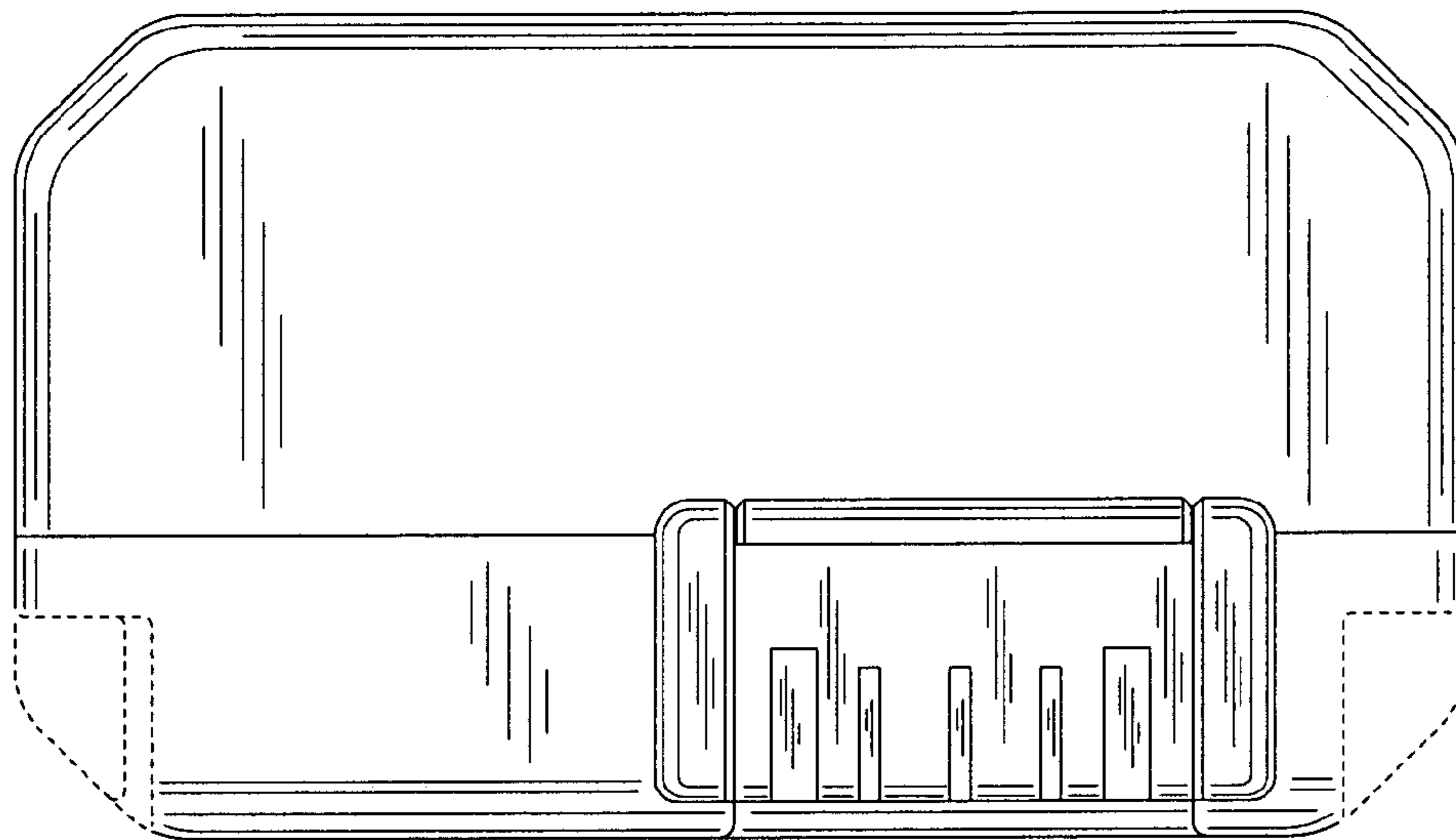


FIG. 16

FIG.17



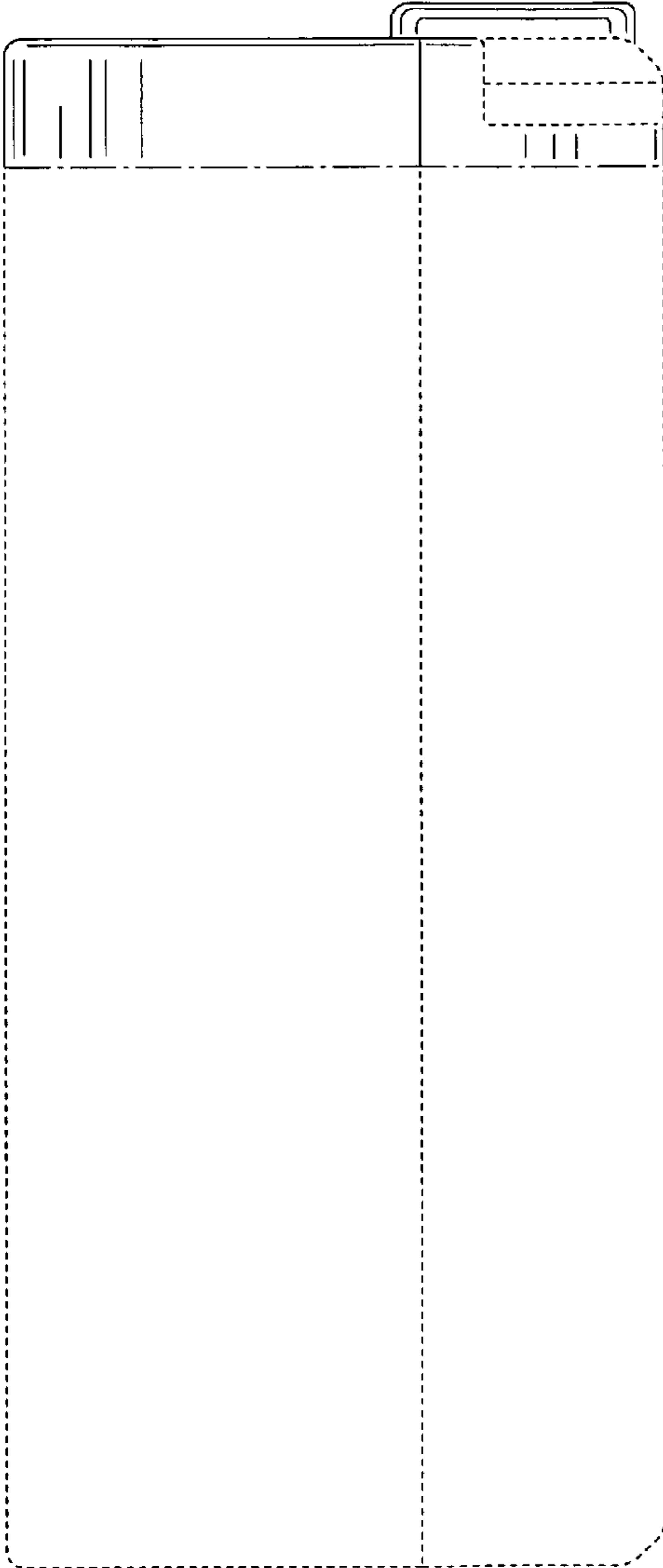


FIG.18

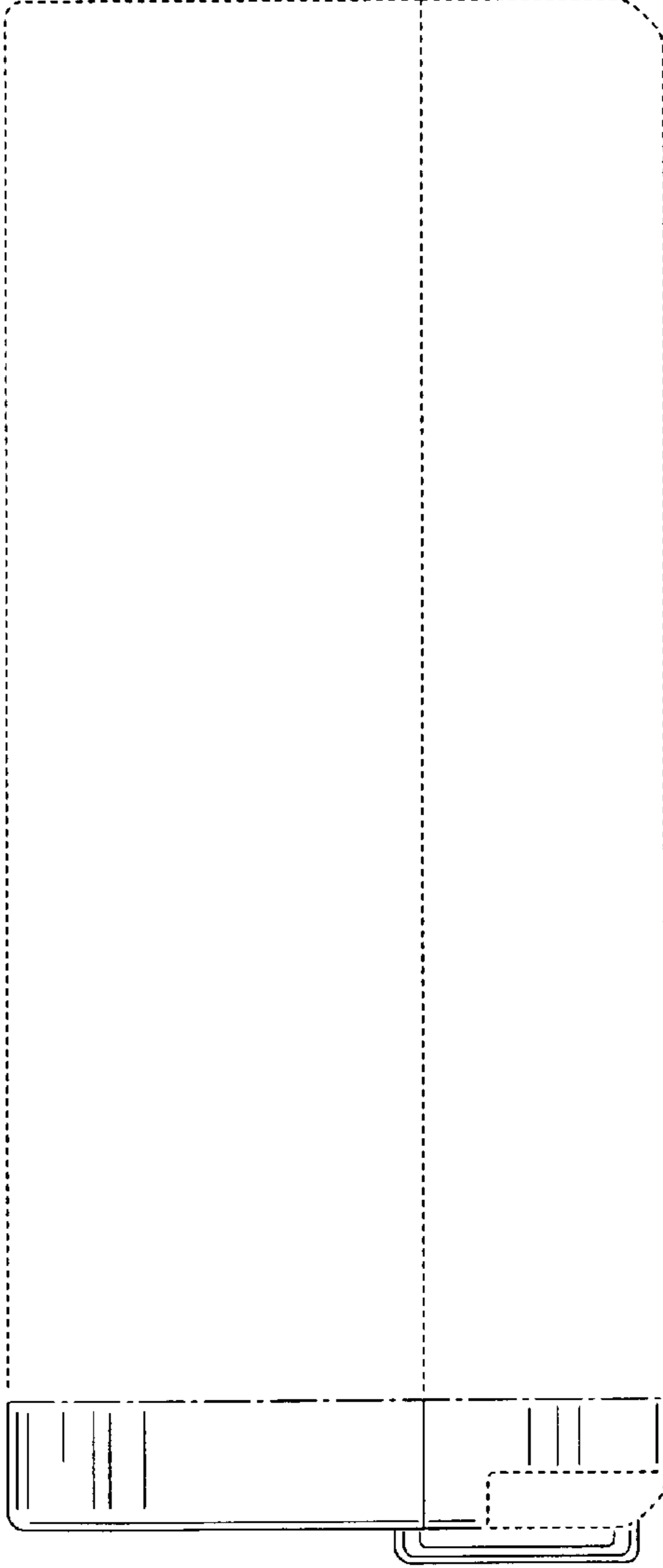


FIG.19

FIG.20

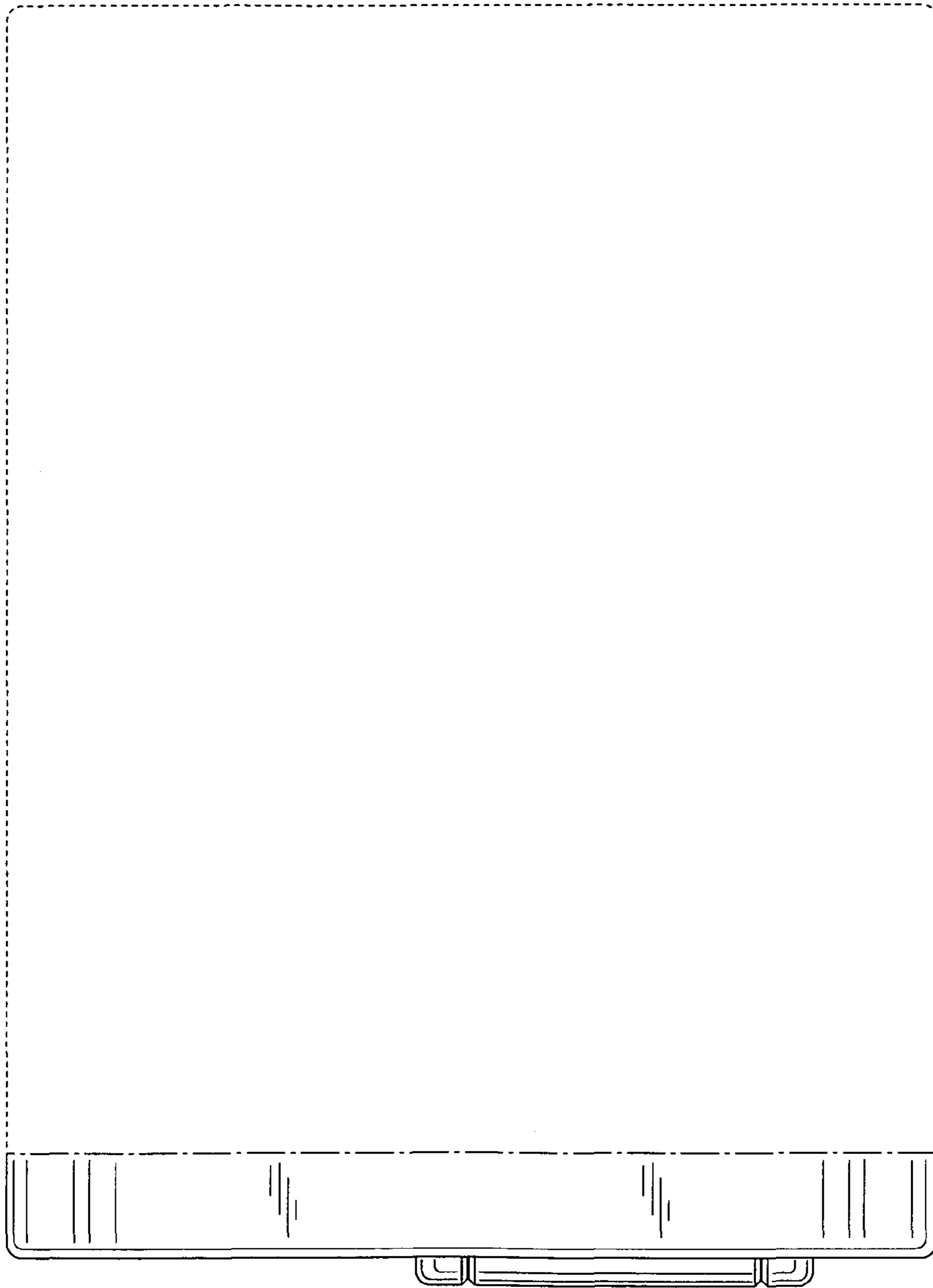
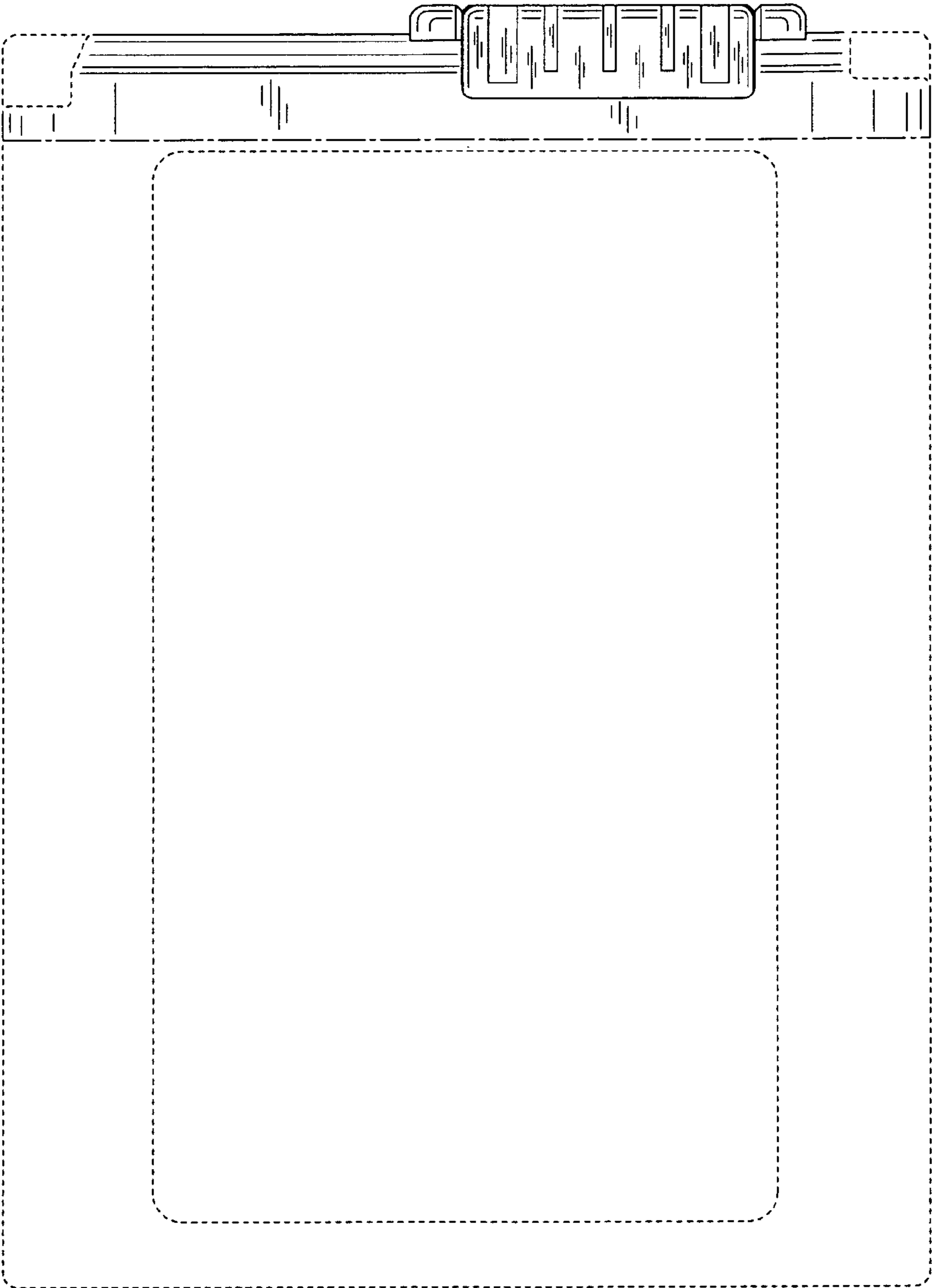
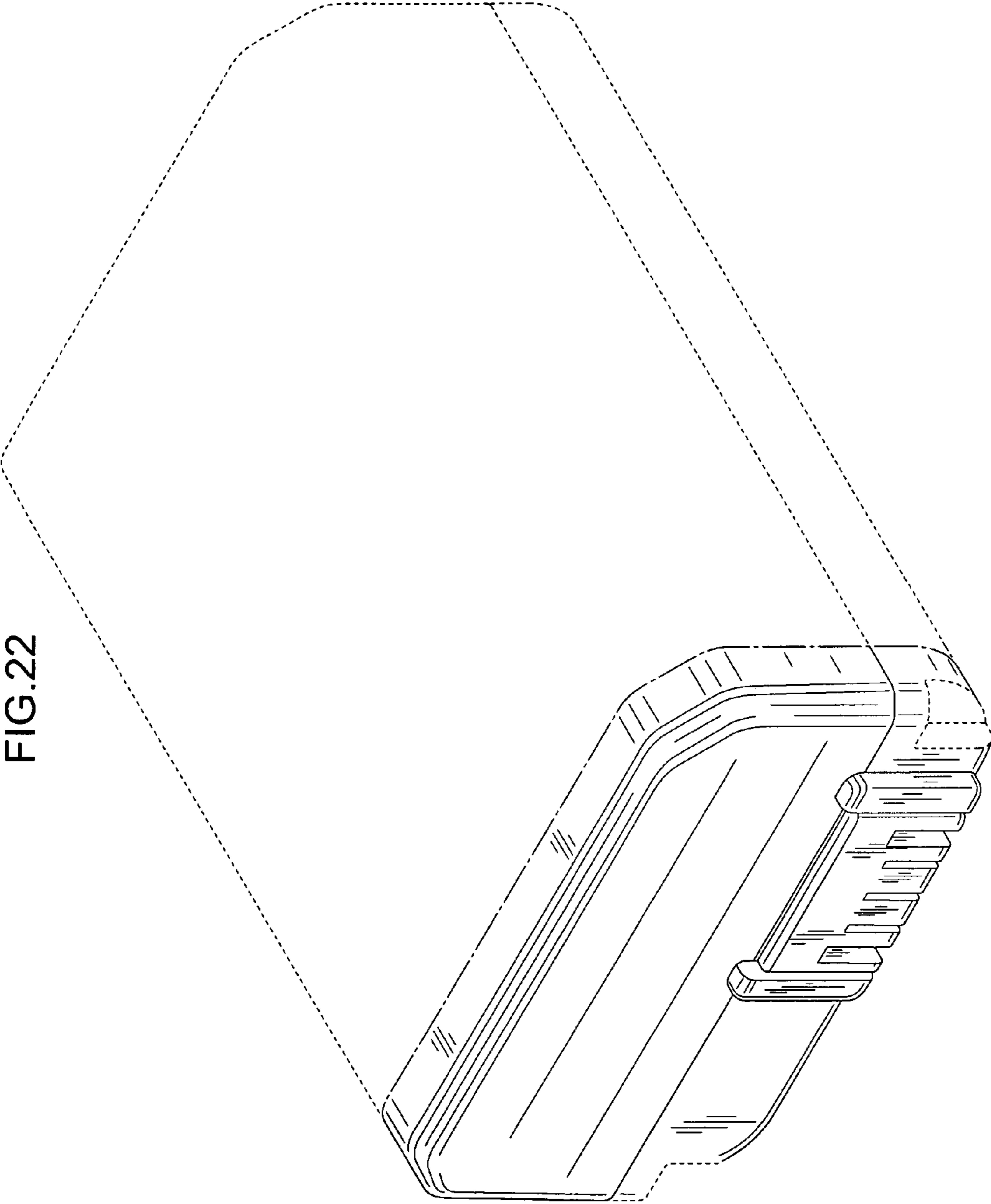


FIG.21





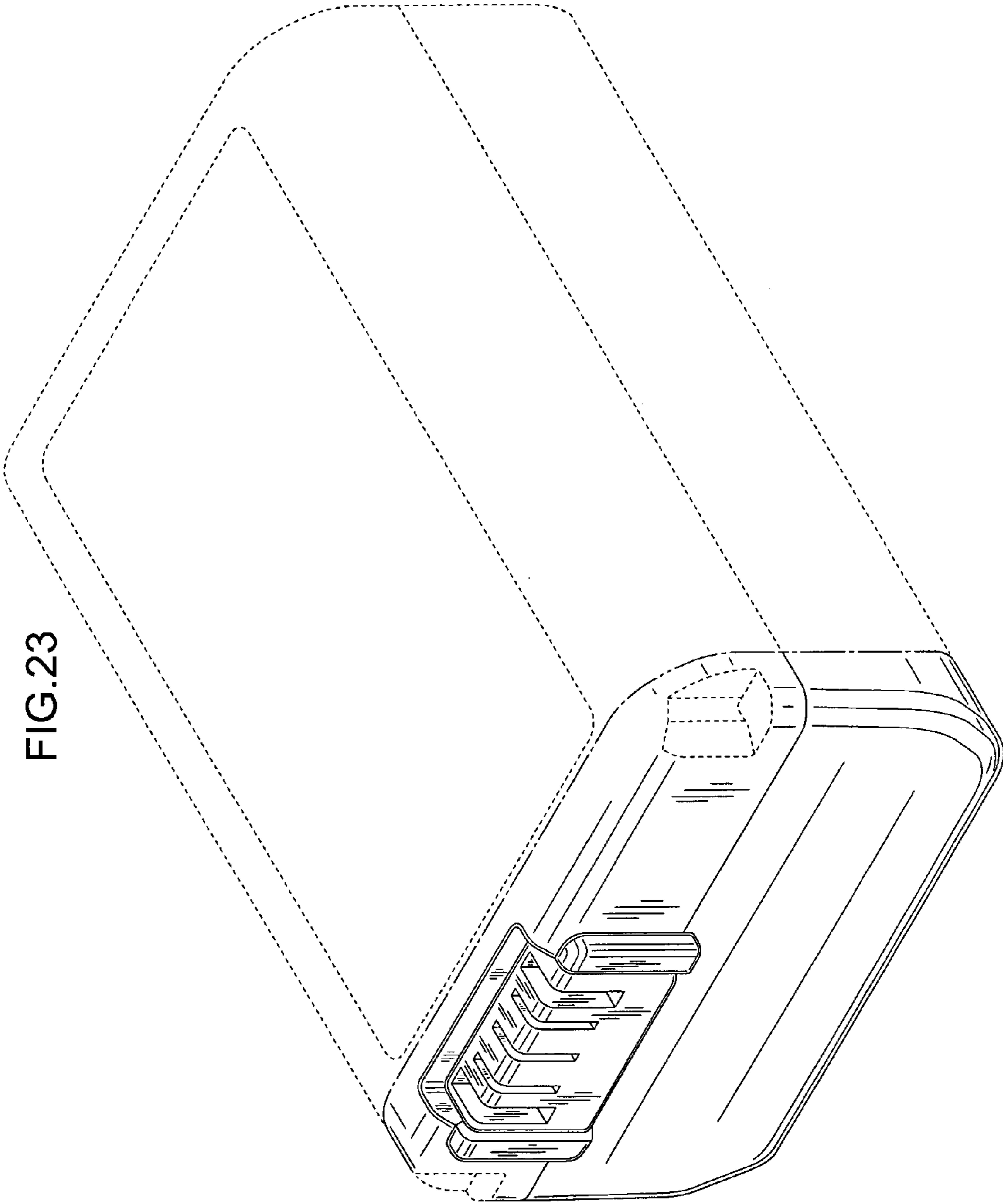
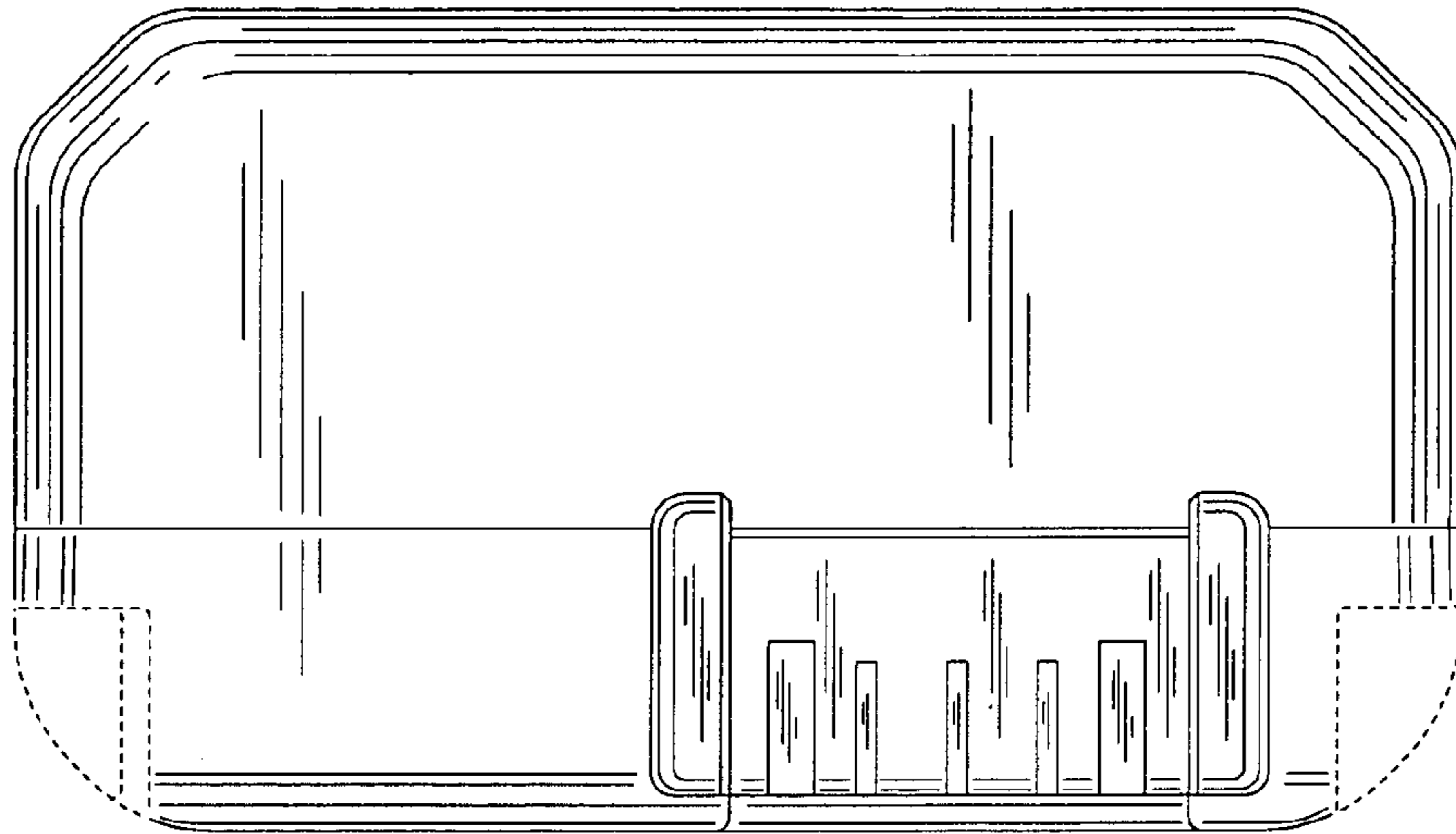


FIG. 23

FIG.24



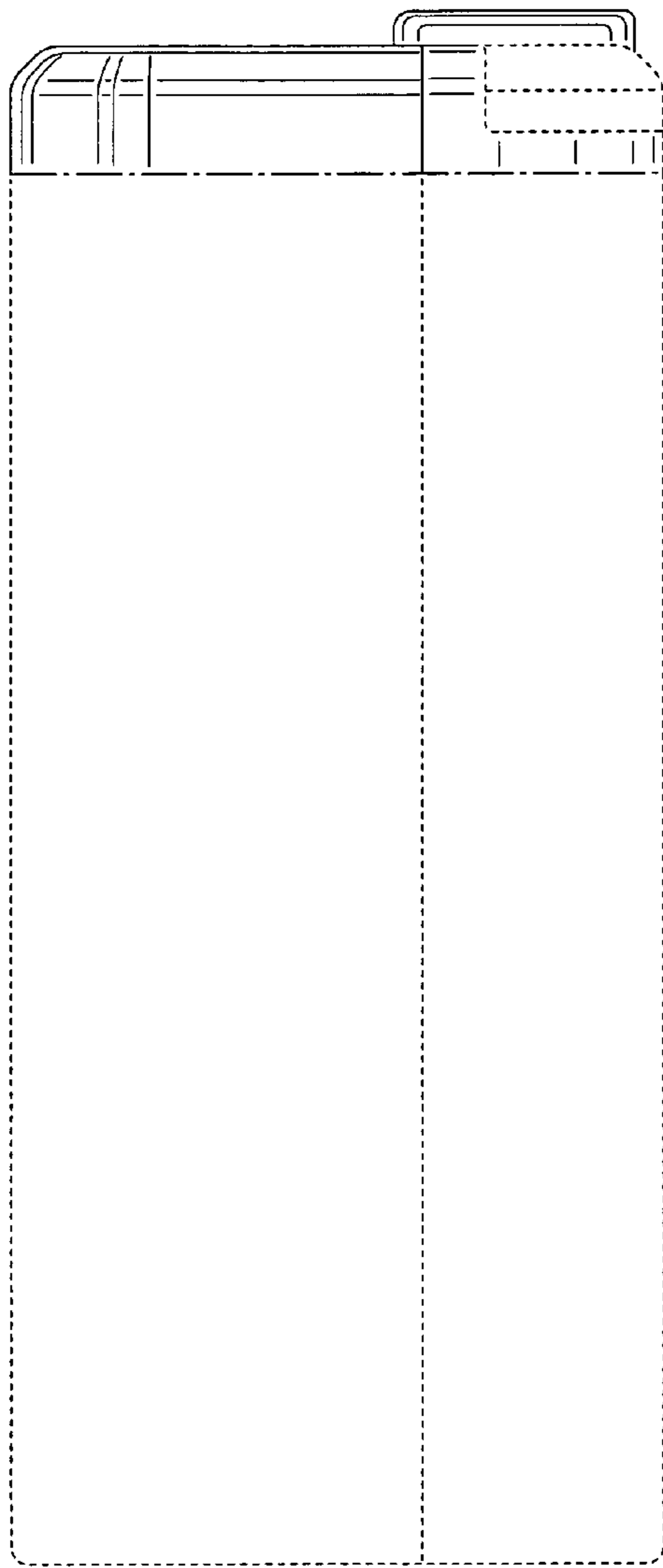


FIG. 25



FIG. 26

FIG.27

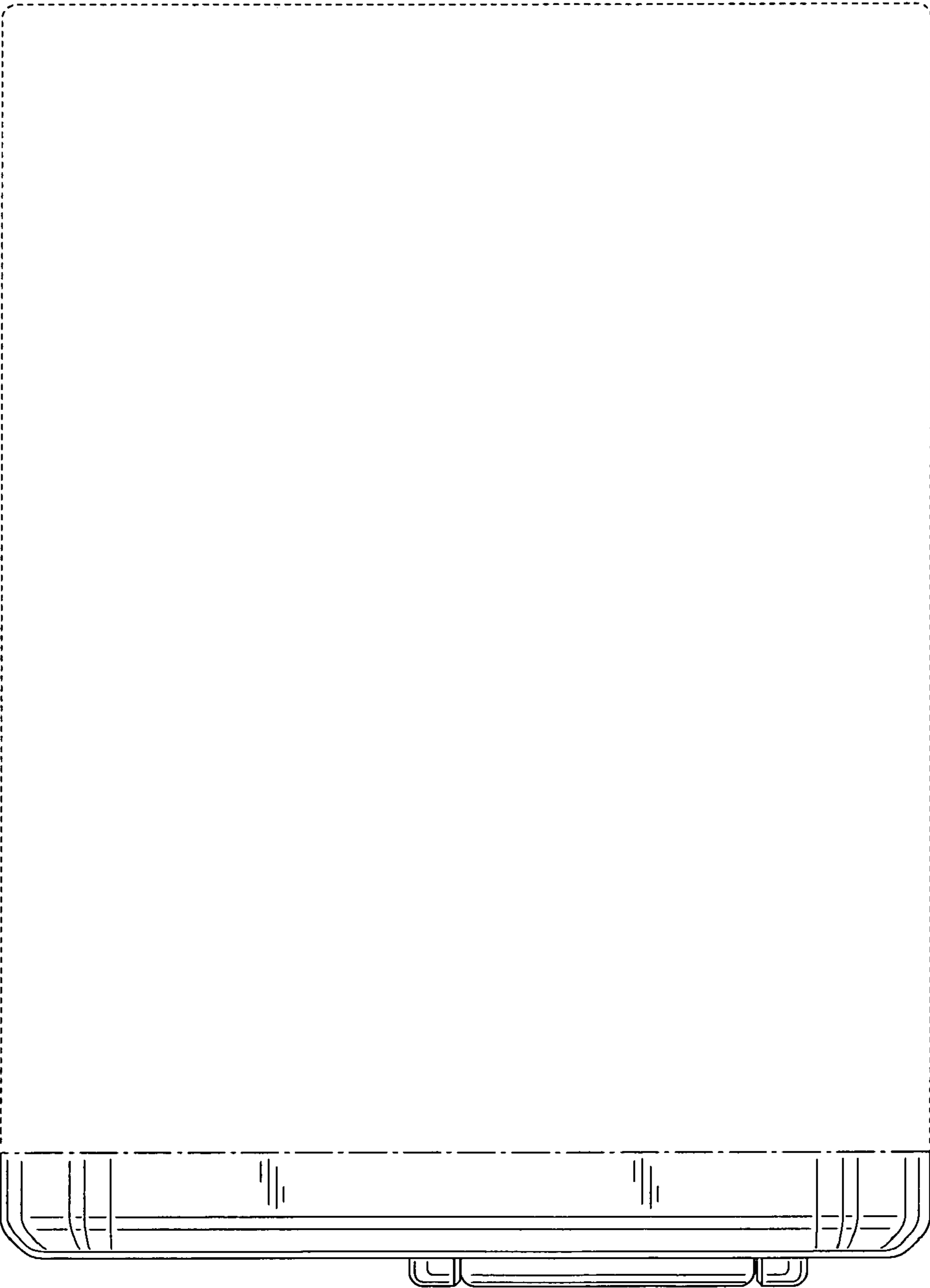


FIG.28

