



US00D654848S

(12) **United States Design Patent**  
**Yonetsu**

(10) **Patent No.:** **US D654,848 S**  
(45) **Date of Patent:** **\*\* Feb. 28, 2012**

(54) **TIRE**

(75) Inventor: **Isao Yonetsu**, Osaka (JP)  
(73) Assignee: **Toyo Tire & Rubber Co., Ltd.**, Osaka (JP)

(\*\*) Term: **14 Years**  
(21) Appl. No.: **29/342,327**

(22) Filed: **Aug. 21, 2009**

(30) **Foreign Application Priority Data**

Jun. 25, 2009 (JP) ..... 2009-014382  
(51) **LOC (9) Cl.** ..... **12-15**  
(52) **U.S. Cl.** ..... **D12/519**  
(58) **Field of Classification Search** ..... D12/500,  
D12/502, 505, 515-532, 604; 152/209.1,  
152/209.8, 209.9, 209.18, 209.19, 209.21,  
152/209.22, 209.25, 209.27  
See application file for complete search history.

(56) **References Cited**

**U.S. PATENT DOCUMENTS**

D458,581 S \* 6/2002 Akiyama et al. .... D12/550  
D584,213 S 1/2009 Shinkai  
D606,924 S \* 12/2009 Bervas et al. .... D12/521  
D609,627 S \* 2/2010 Frappart et al. .... D12/523  
D612,327 S \* 3/2010 Yonetsu ..... D12/590  
D634,699 S \* 3/2011 Fontaine et al. .... D12/517  
2011/0061780 A1\* 3/2011 Mita ..... 152/209.8

**FOREIGN PATENT DOCUMENTS**

JP 1246050 6/2005

**OTHER PUBLICATIONS**

Continental ContiSportContact 2 Tire; 2005 Tread Design Guide, p. 13, Row 1, Item 1.\*  
Kumho Ecsta KU19 Tire; 2006 Tread Design Guide, p. 31, Row 3, Item 5.\*  
Ohio Machine HP-GTN Retread; 2006 Tread Design Guide, p. 226, Row 1, Item 4.\*  
English translation of JP 1246050, Registration Date Jun. 10, 2005, Toyo Tire & Rubber Co., Ltd., 4 pages.

\* cited by examiner

*Primary Examiner* — Garth Rademaker

(74) *Attorney, Agent, or Firm* — Sterne, Kessler, Goldstein & Fox PLLC

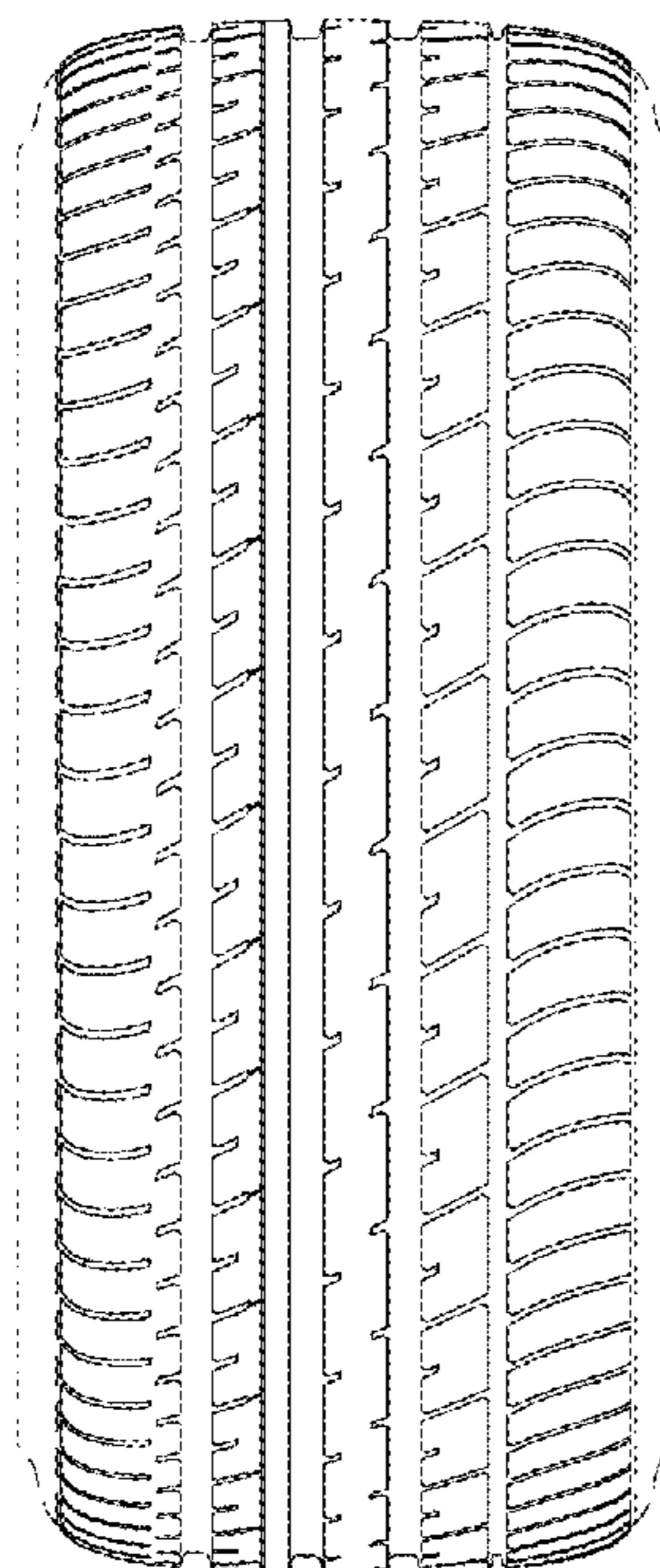
(57) **CLAIM**

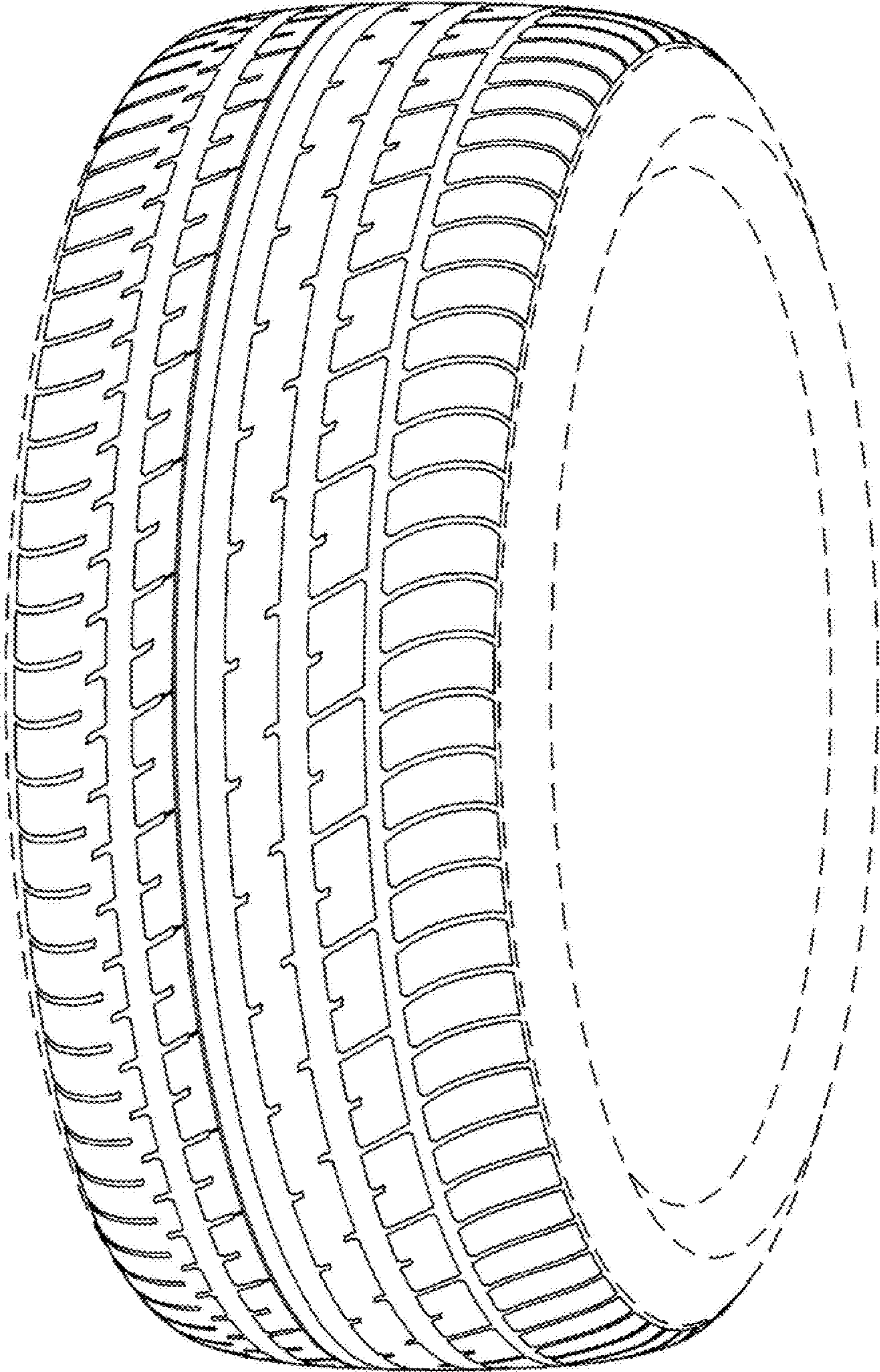
The ornamental design for a tire, as shown and described.

**DESCRIPTION**

FIG. 1 is a perspective view of a tire showing my new design; FIG. 2 is a front view thereof; FIG. 3 is a rear view thereof; FIG. 4 is a top plan view thereof, the bottom plan view being identical thereto; FIG. 5 is a left side view thereof; FIG. 6 is a right side view thereof; FIG. 7 is a cross-section view of the portion of the design designated by line 7'-7' of FIG. 6, taken along line 7-7 of FIG. 2; and, FIG. 8 is a partial front view thereof, showing the portion between lines 8-8 and 8'-8' of FIG. 2 at an enlarged scale. The broken lines in the Figures depict environmental subject matter and form no part of the claimed design.

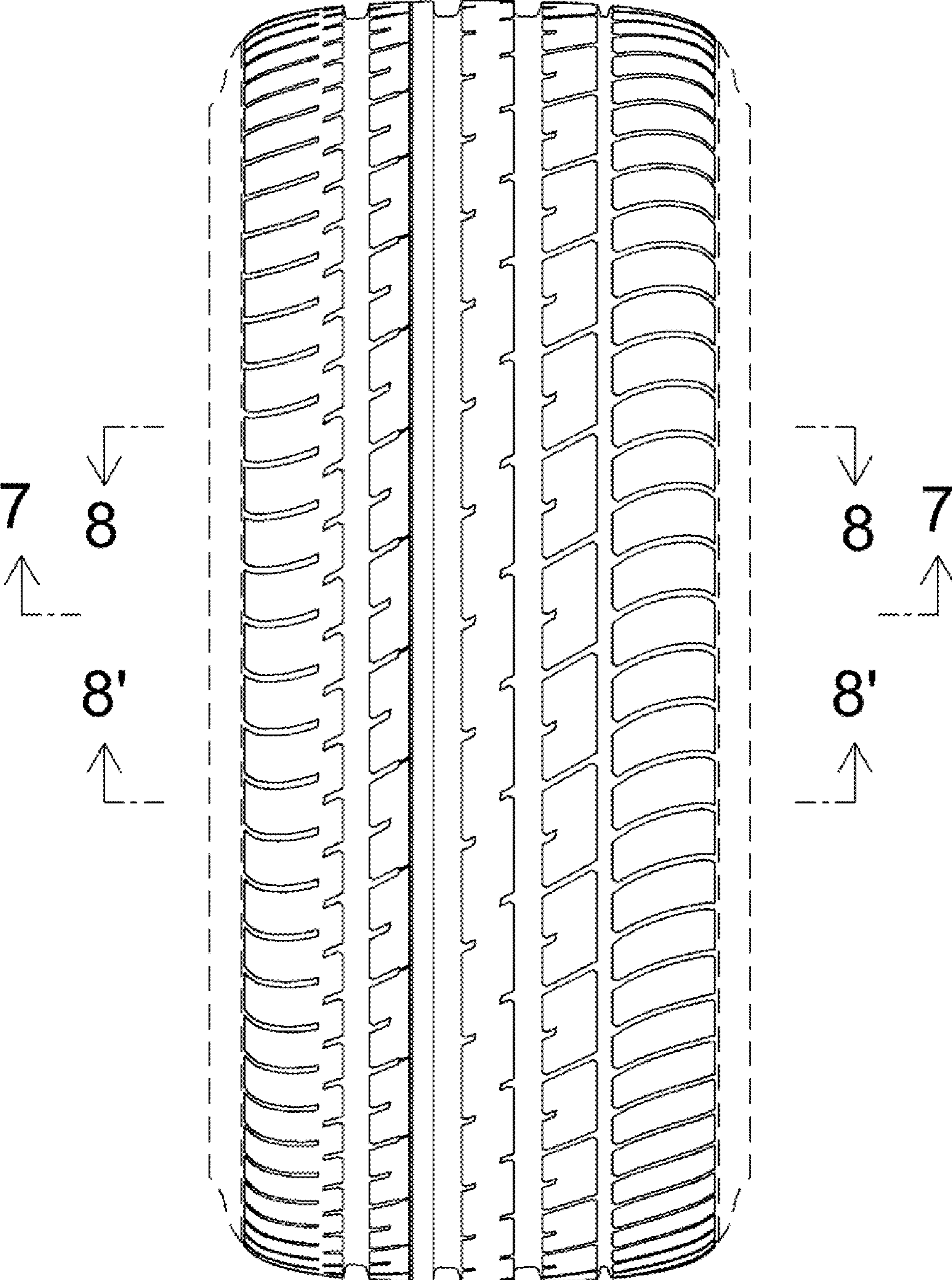
**1 Claim, 8 Drawing Sheets**



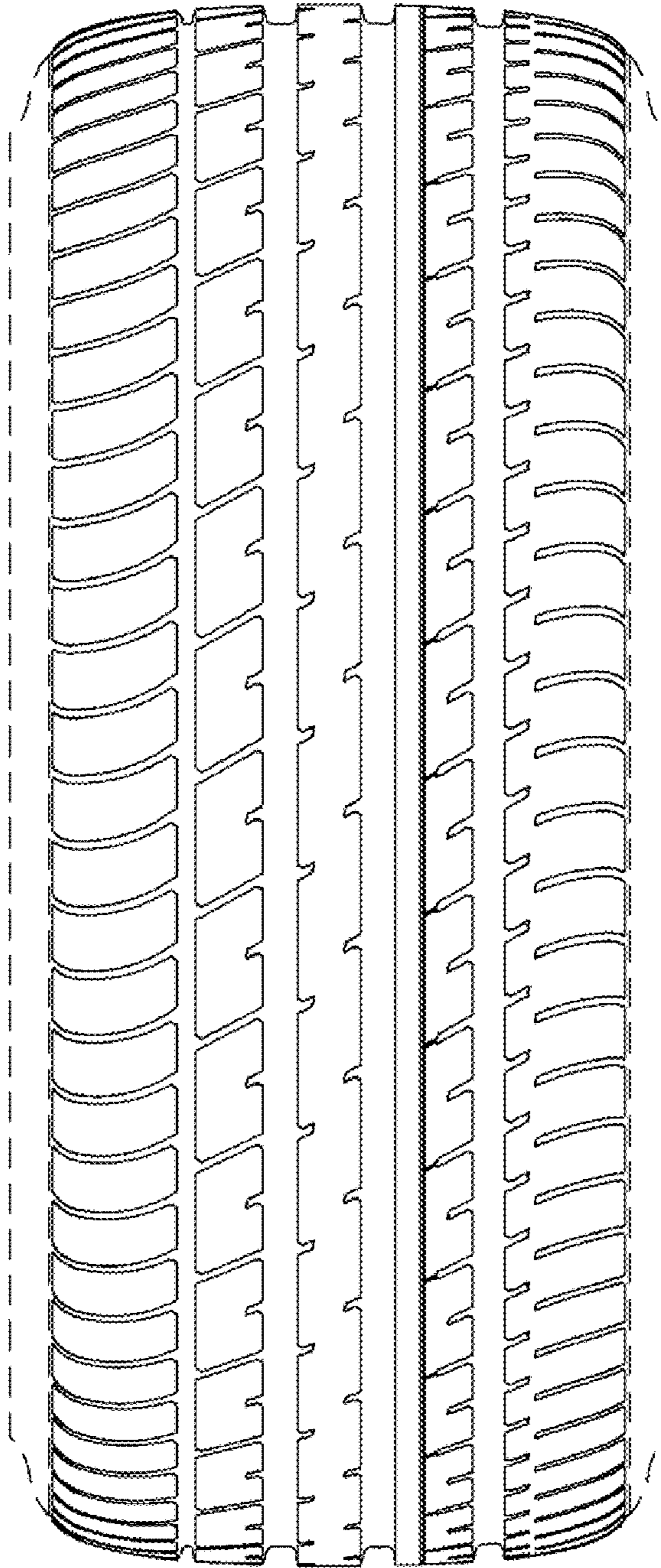


**FIGURE 1**

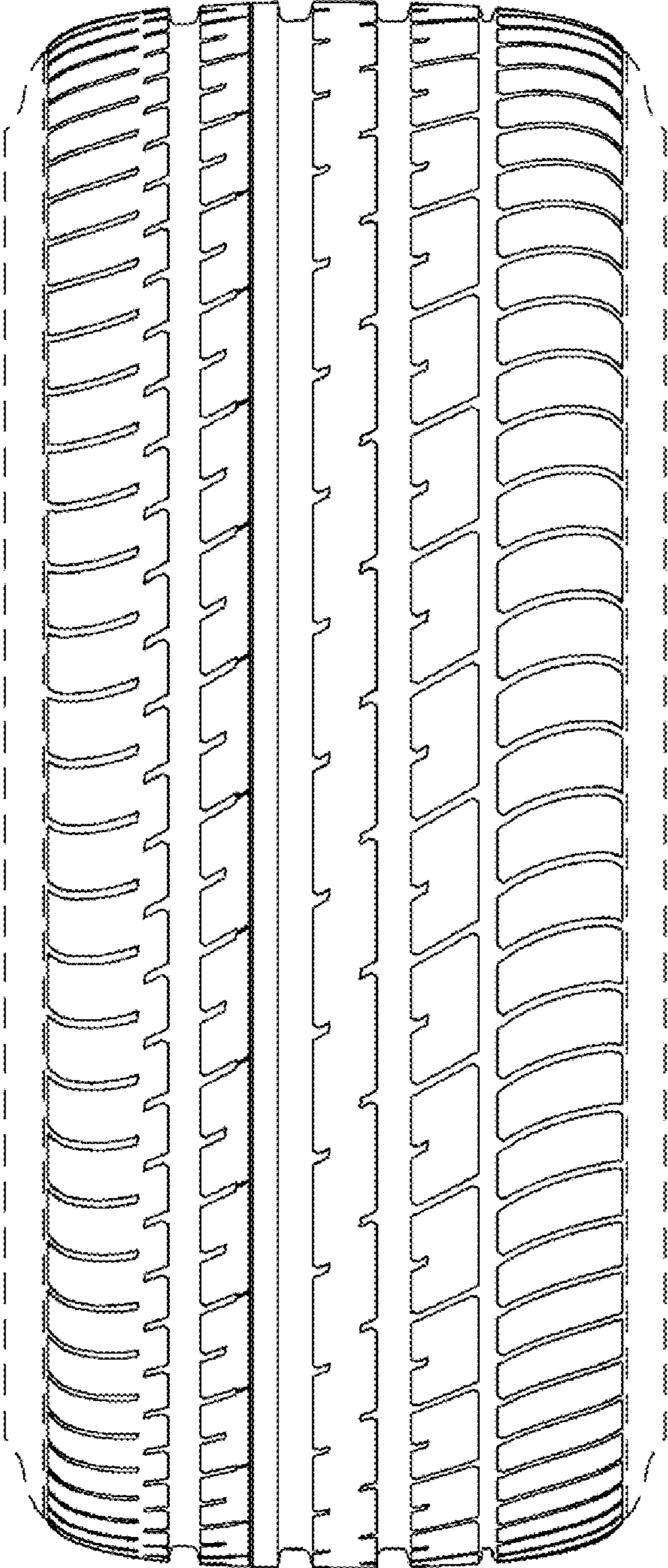




**FIGURE 2**

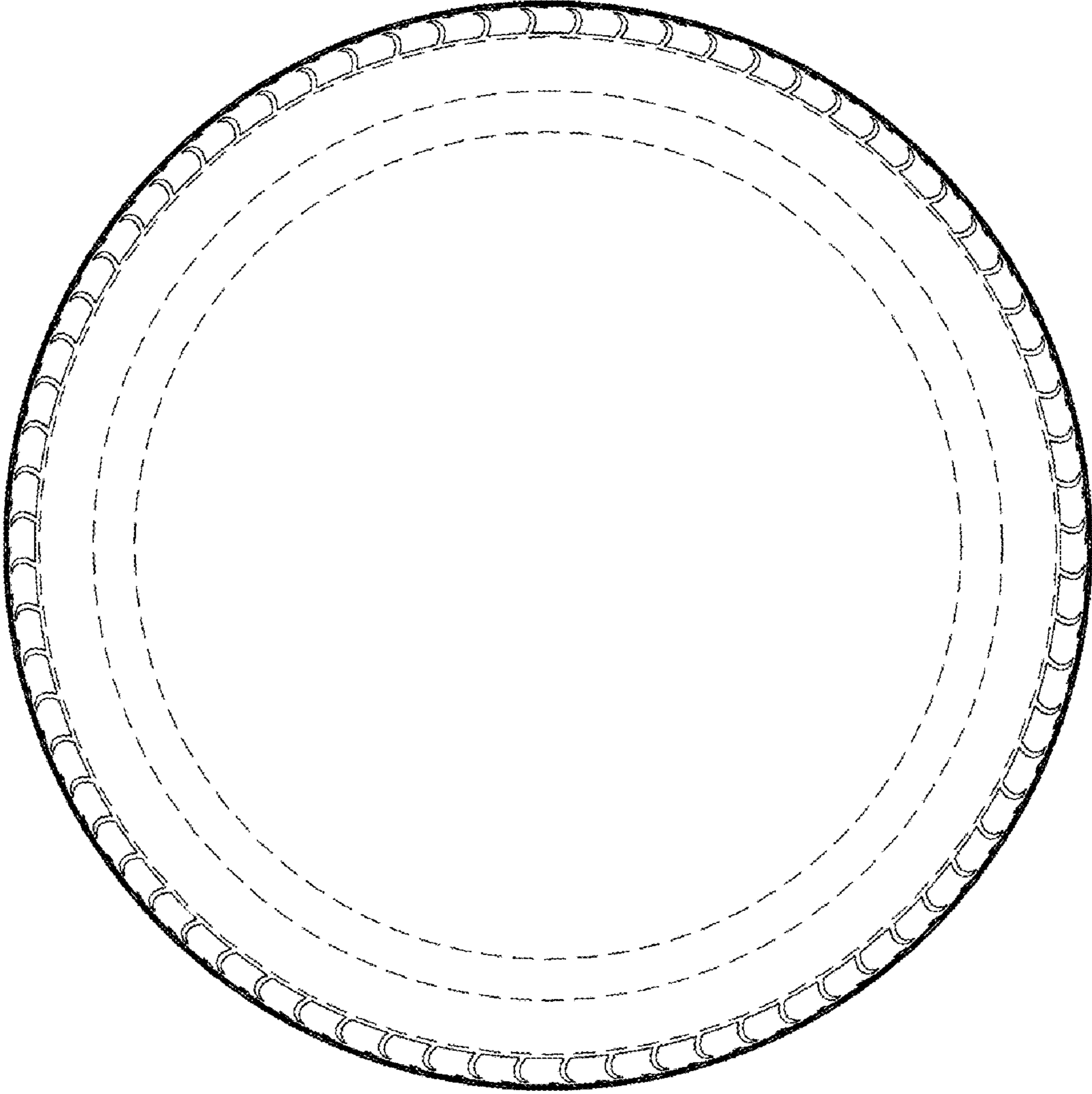


**FIGURE 3**

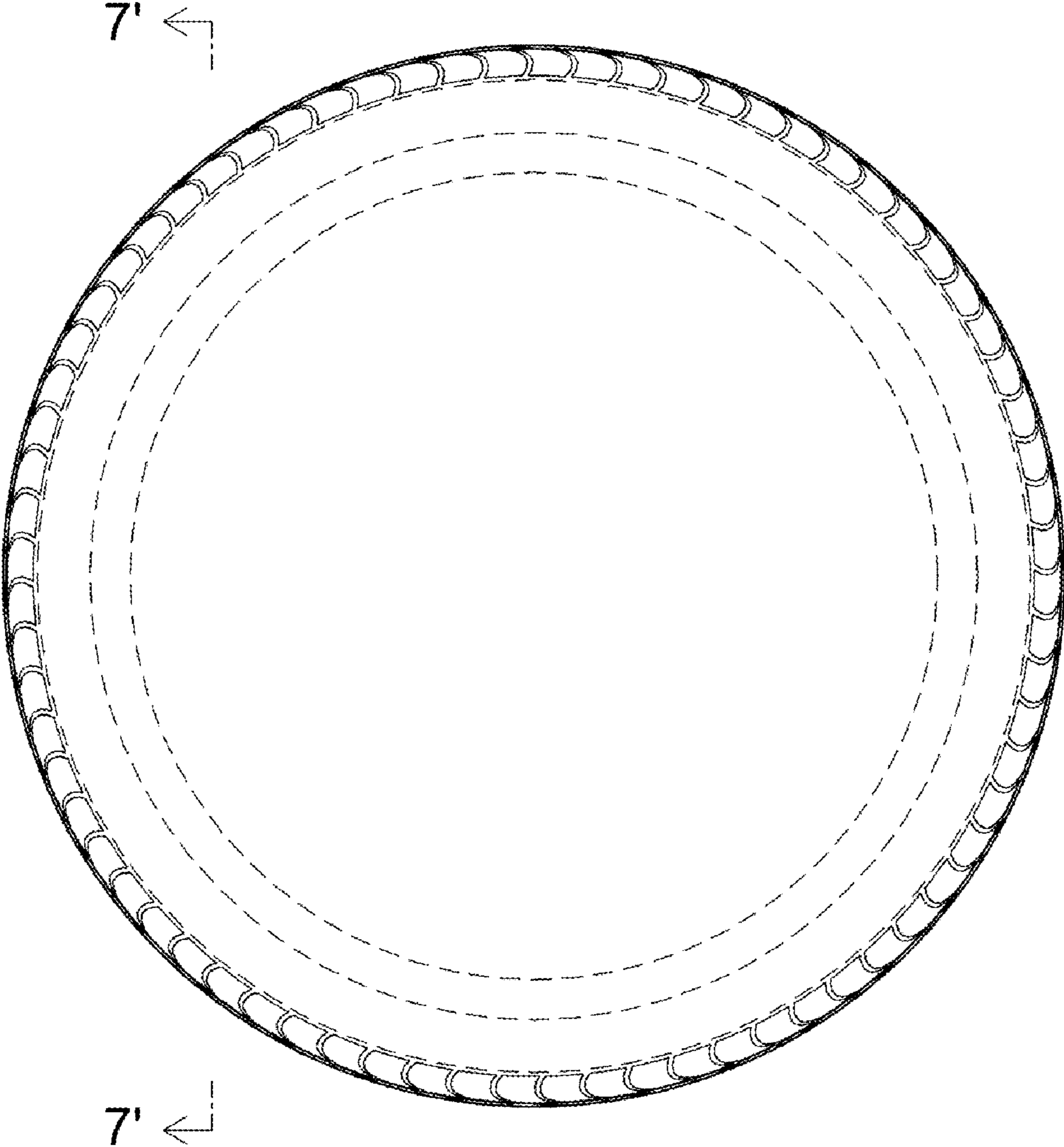


**FIGURE 4**

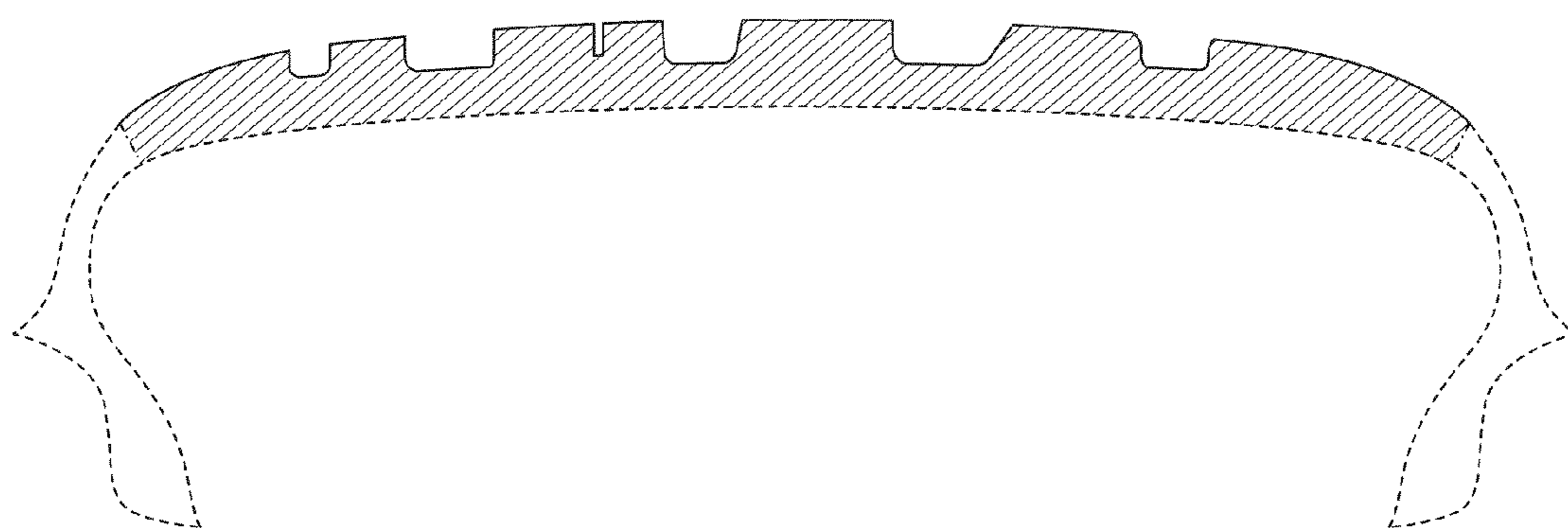




**FIGURE 5**

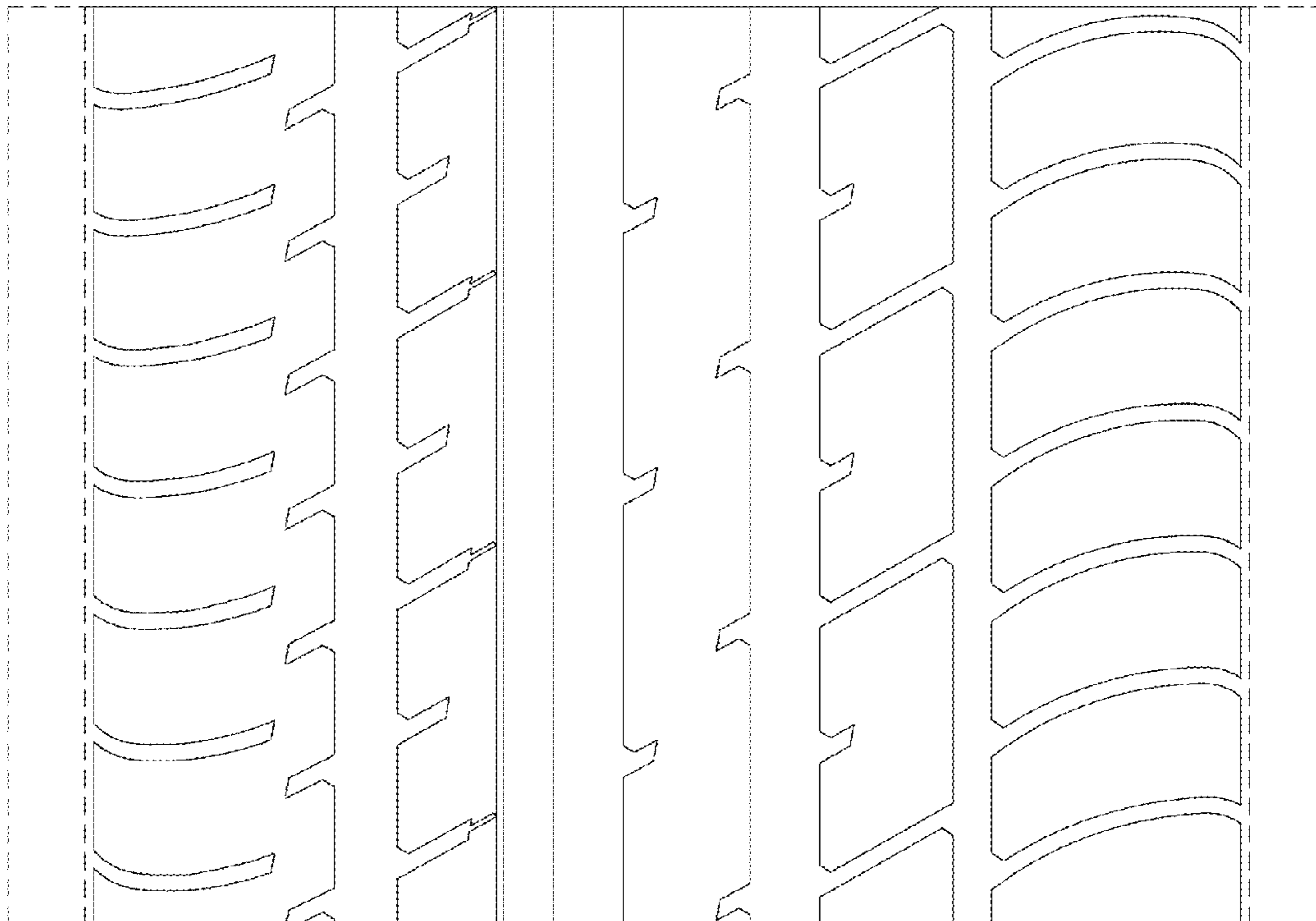


**FIGURE 6**



**FIGURE 7**





**FIGURE 8**