



US00D654843S

(12) **United States Design Patent**
Futschik et al.

(10) **Patent No.:** **US D654,843 S**

(45) **Date of Patent:** **** Feb. 28, 2012**

(54) **WHEEL OR WHEEL COVER**

(75) Inventors: **Hans-Dieter Futschik**, Gechingen (DE);
Steffen Koehl, Stuttgart (DE); **Frank**
Spoerle, Leonberg (DE); **Gorden**
Wagener, Stuttgart (DE)

(73) Assignee: **Daimler AG**, Stuttgart (DE)

(**) Term: **14 Years**

(21) Appl. No.: **29/311,277**

(22) Filed: **Feb. 5, 2009**

(30) **Foreign Application Priority Data**

Aug. 6, 2008 (EM) 000982780-0004

(51) **LOC (9) Cl.** **12-16**

(52) **U.S. Cl.** **D12/211**

(58) **Field of Classification Search** D12/204-213;
301/37.101, 64.101, 65, 64.201
See application file for complete search history.

(56) **References Cited**

U.S. PATENT DOCUMENTS

D433,659 S * 11/2000 Frizzi D12/211
D450,647 S * 11/2001 Pfeiffer D12/211

D489,309 S * 5/2004 Laengerer D12/211
D522,432 S * 6/2006 Pfeiffer D12/209
D563,305 S * 3/2008 Schweizer D12/211
D580,842 S * 11/2008 Kim D12/211
D590,314 S * 4/2009 Hettler D12/209
D625,675 S * 10/2010 Juergens et al. D12/209
D631,813 S * 2/2011 Nissl D12/209

FOREIGN PATENT DOCUMENTS

EM 000813977-0013 10/2007

* cited by examiner

Primary Examiner — Stacia Cadmus

(74) *Attorney, Agent, or Firm* — Crowell & Moring LLP

(57) **CLAIM**

The ornamental design for a wheel or wheel cover, as shown and described.

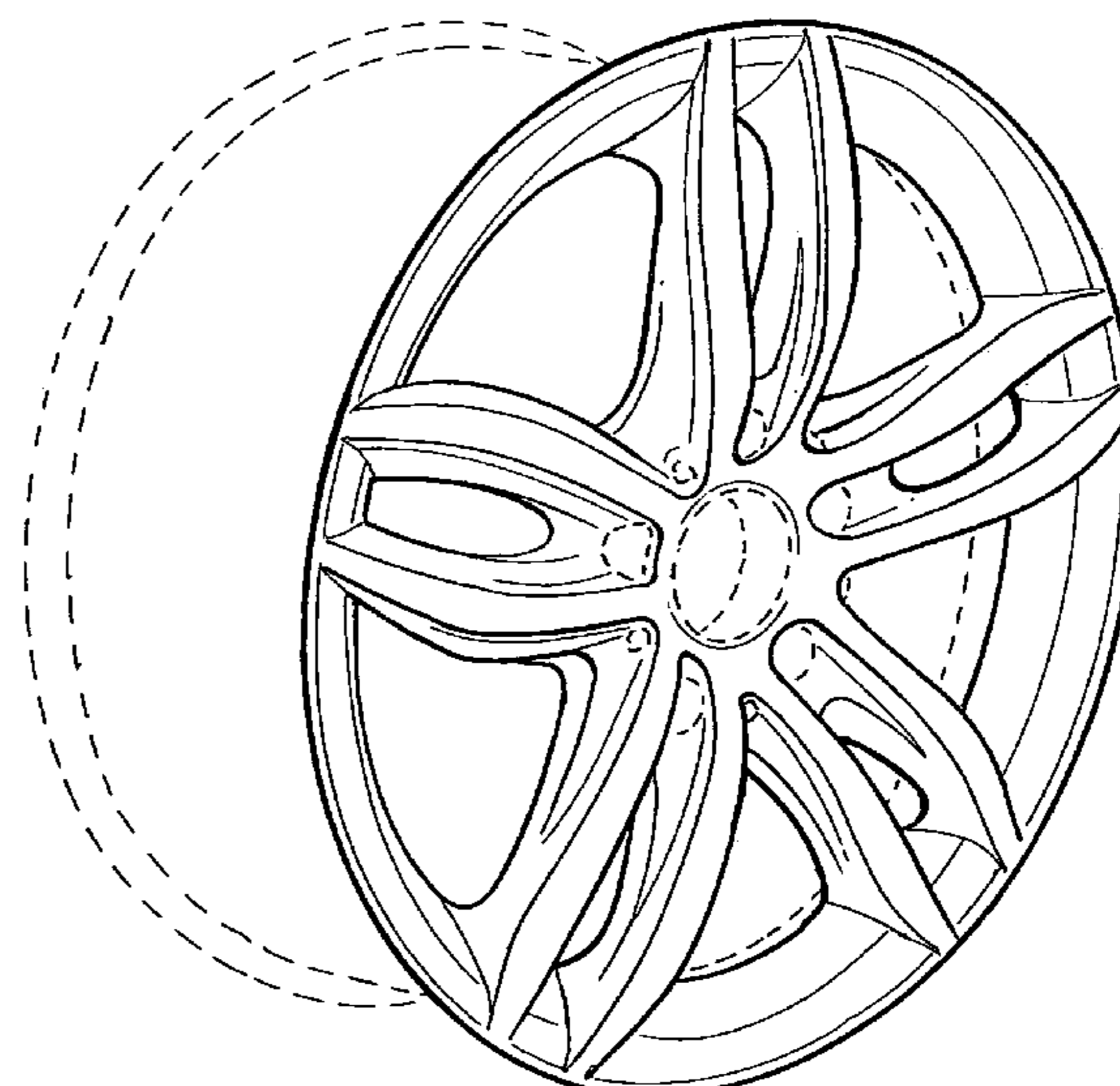
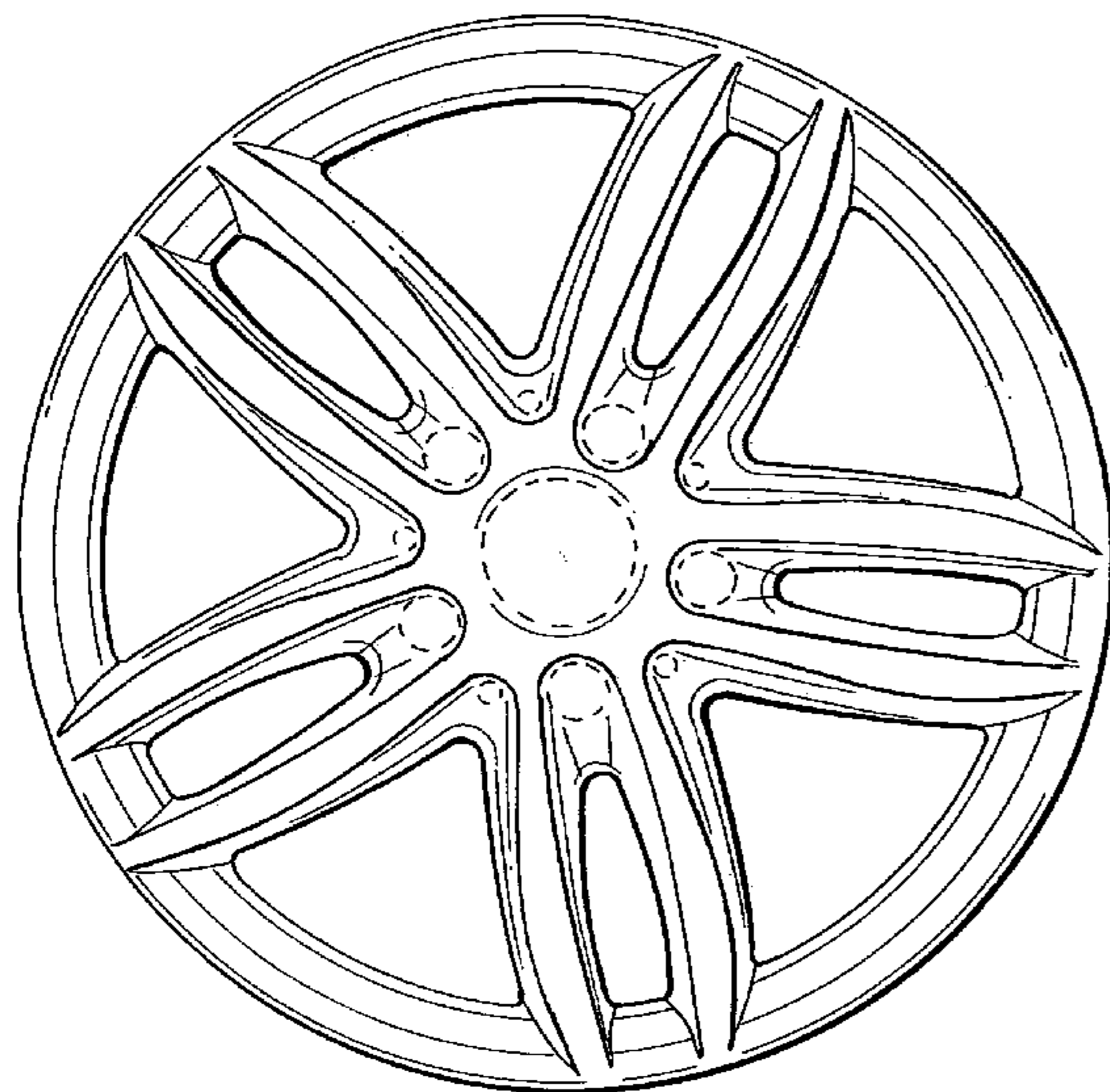
DESCRIPTION

FIG. 1 is a front view of a wheel or wheel cover according to our novel design; and,

FIG. 2 is a perspective view thereof.

The broken line showing of the rear of the rim and the bolt holes and center hole in the central hub area is included for the purpose of illustrating environment and forms no part of the claimed design.

1 Claim, 1 Drawing Sheet



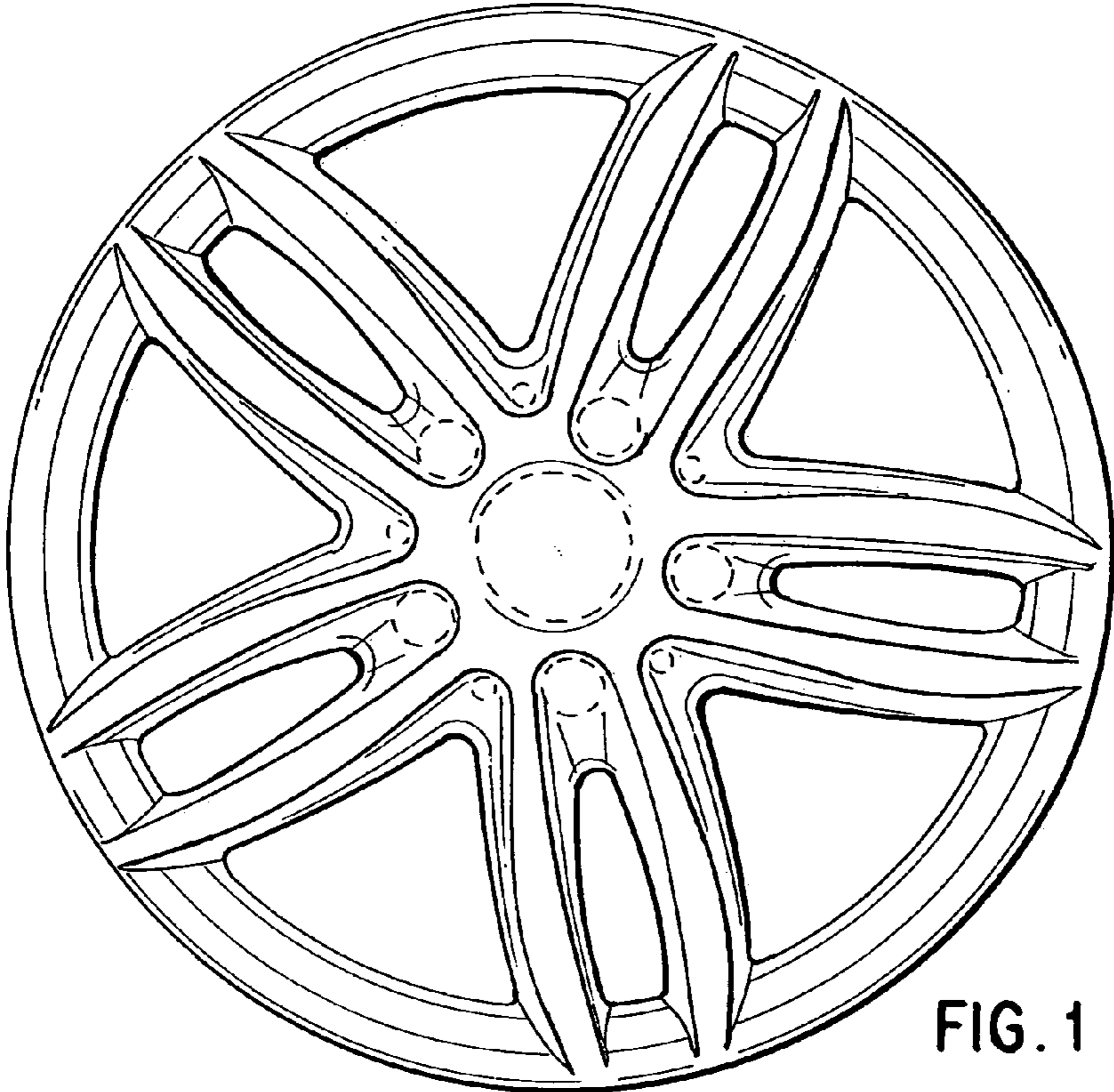


FIG. 1

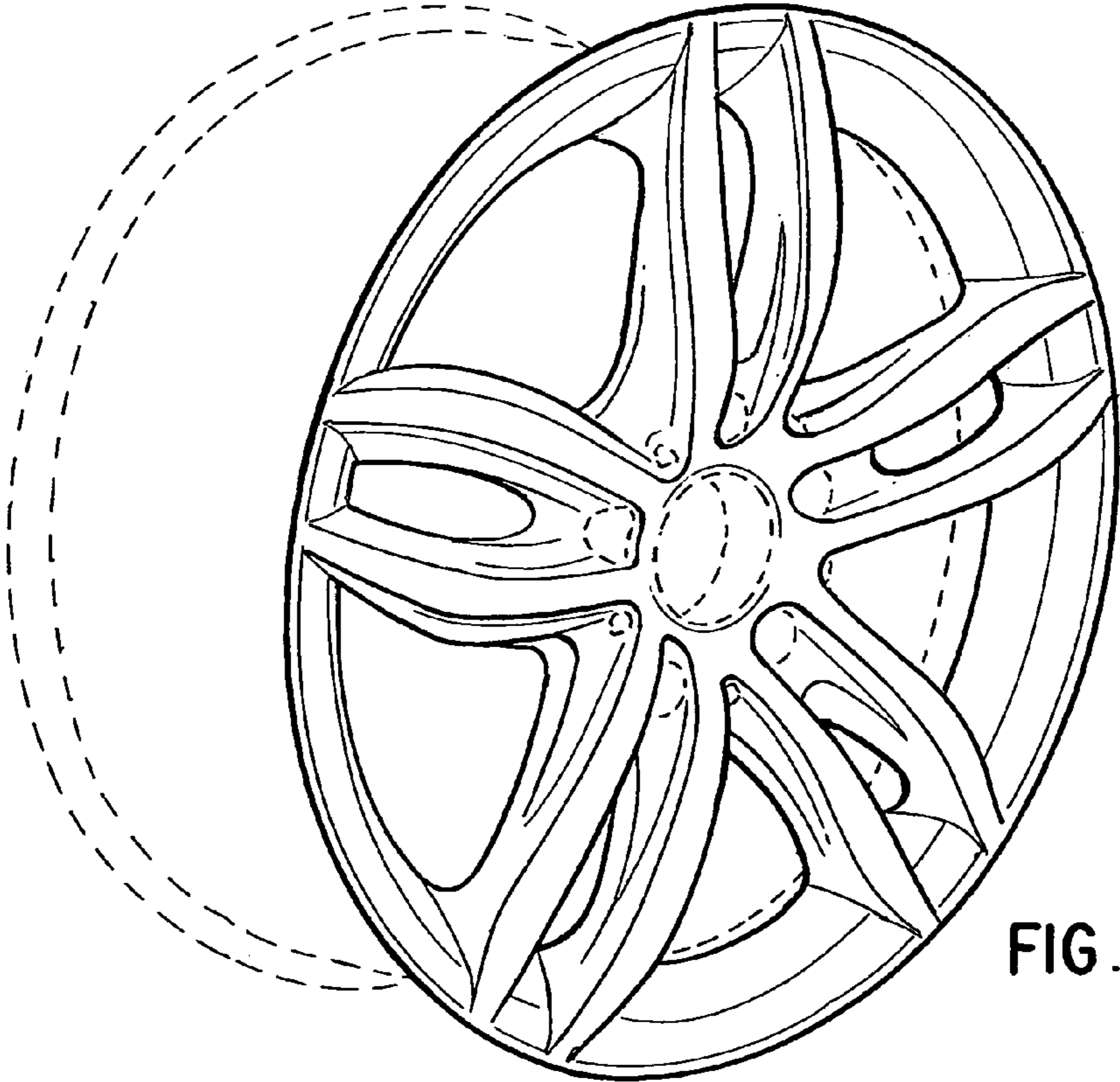


FIG. 2