



US00D654842S

(12) **United States Design Patent**  
**Blasi**

(10) **Patent No.:** **US D654,842 S**

(45) **Date of Patent:** **\*\* Feb. 28, 2012**

(54) **WHEEL OR WHEEL COVER**

(75) Inventor: **Juliane Blasi**, Munich (DE)

(73) Assignee: **Bayerische Motoren Werke Aktiengesellschaft**, Munich (DE)

(\*\*) Term: **14 Years**

(21) Appl. No.: **29/398,933**

(22) Filed: **Aug. 8, 2011**

(30) **Foreign Application Priority Data**

Feb. 9, 2011 (DE) ..... 402011000783

(51) **LOC (9) Cl.** ..... **12-16**

(52) **U.S. Cl.** ..... **D12/209**

(58) **Field of Classification Search** ..... D12/204-213;  
301/37.101, 64.101, 65, 64.201  
See application file for complete search history.

(56) **References Cited**

**U.S. PATENT DOCUMENTS**

D371,100 S *	6/1996	Hatter	.....	D12/209
D384,022 S *	9/1997	Hatter	.....	D12/209
D400,153 S *	10/1998	Bhambra	.....	D12/209
D409,966 S *	5/1999	Chung	.....	D12/209
D429,205 S *	8/2000	Hussaini et al.	.....	D12/209
D441,338 S *	5/2001	Hussaini et al.	.....	D12/209
D451,062 S *	11/2001	Yoshida	.....	D12/209
D451,065 S *	11/2001	Braun	.....	D12/211
D451,460 S *	12/2001	Arellano	.....	D12/209
D472,509 S *	4/2003	Laengerer	.....	D12/209

D504,096 S *	4/2005	Nakagawa et al.	.....	D12/209
D514,494 S *	2/2006	Scheu	.....	D12/209
D581,337 S	11/2008	Juergens et al.		
D594,800 S	6/2009	Blasi		
D619,524 S	7/2010	Gabath		
D619,951 S *	7/2010	Baum	.....	D12/209
D631,812 S	2/2011	Juergens et al.		
D631,814 S	2/2011	Baum		

**FOREIGN PATENT DOCUMENTS**

EM	000889951-0001	4/2008
EM	001036552-0002	11/2009
EM	001635897-0002	10/2010
EM	001635897-0003	10/2010
EM	001772922-0017	10/2010
EM	001693599-0006	6/2011

\* cited by examiner

*Primary Examiner* — Stacia Cadmus

(74) *Attorney, Agent, or Firm* — Crowell & Moring LLP

(57) **CLAIM**

The ornamental design for a wheel or wheel cover, as shown and described.

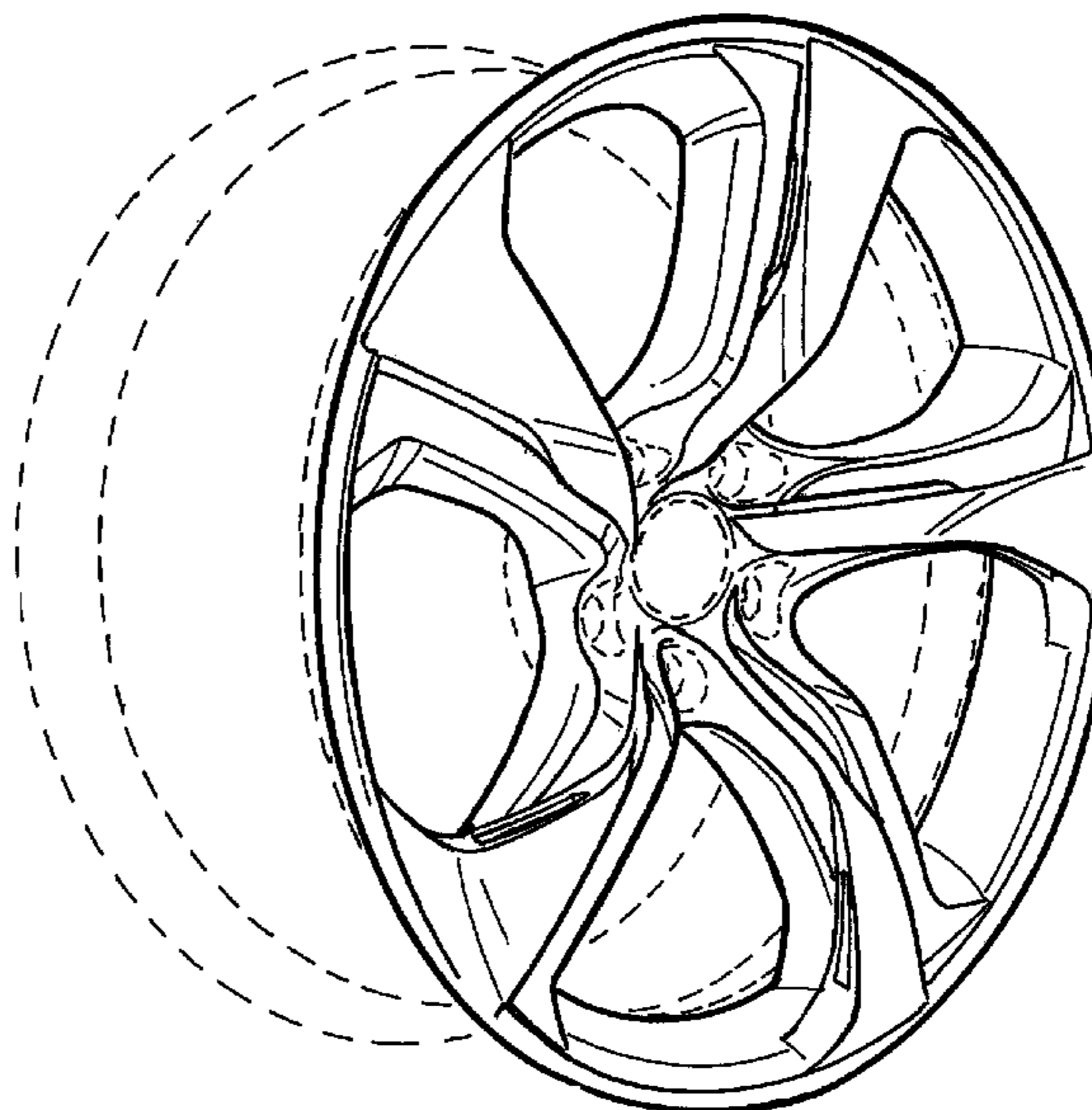
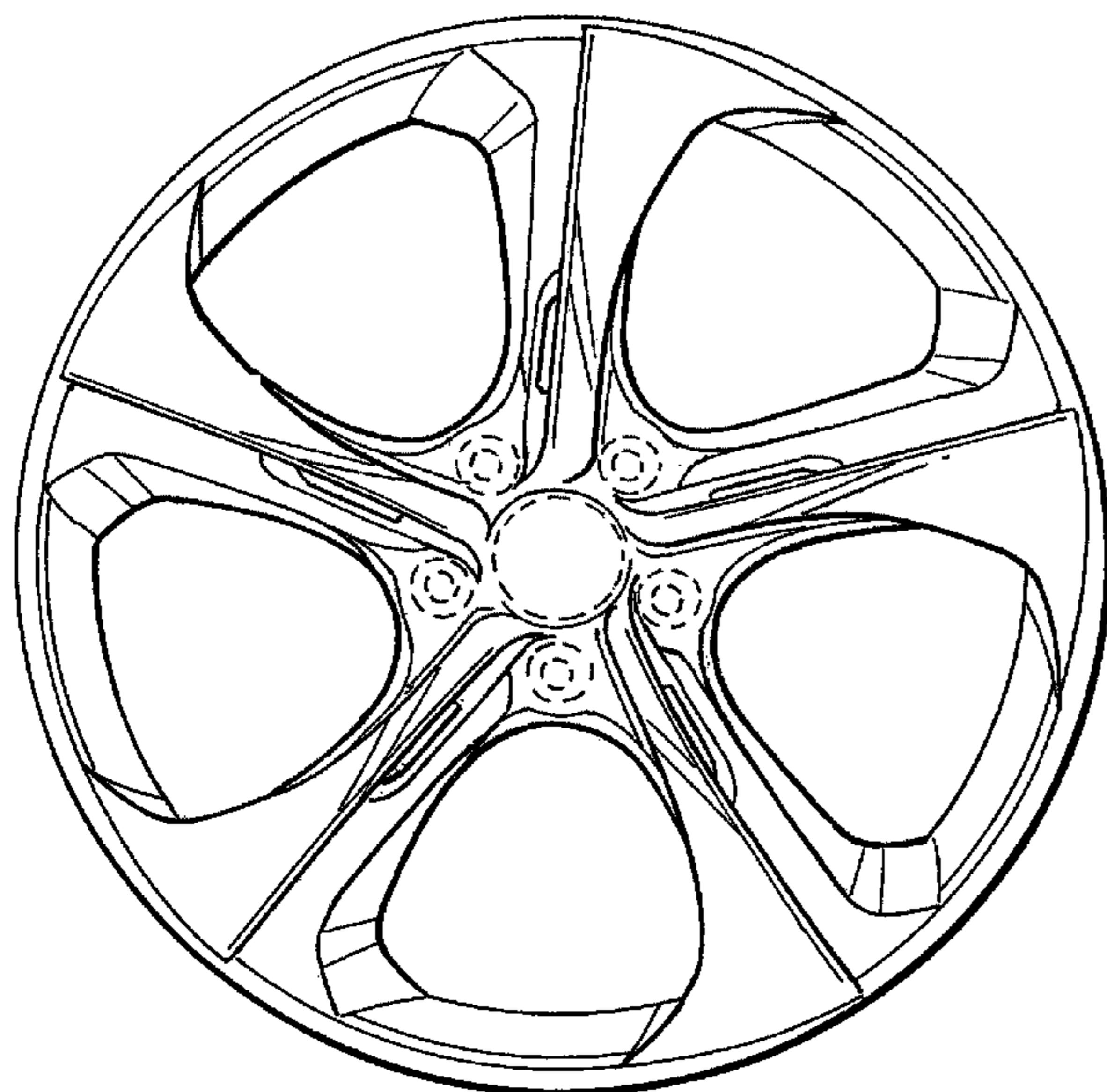
**DESCRIPTION**

FIG. 1 is a front view of a wheel or wheel cover according to my design; and,

FIG. 2 is a perspective view thereof.

The broken line showing of the rear of the wheel, and the bolt holes and the center cap in the central hub area is included for the purpose of illustrating environment and forms no part of the claimed design.

**1 Claim, 1 Drawing Sheet**



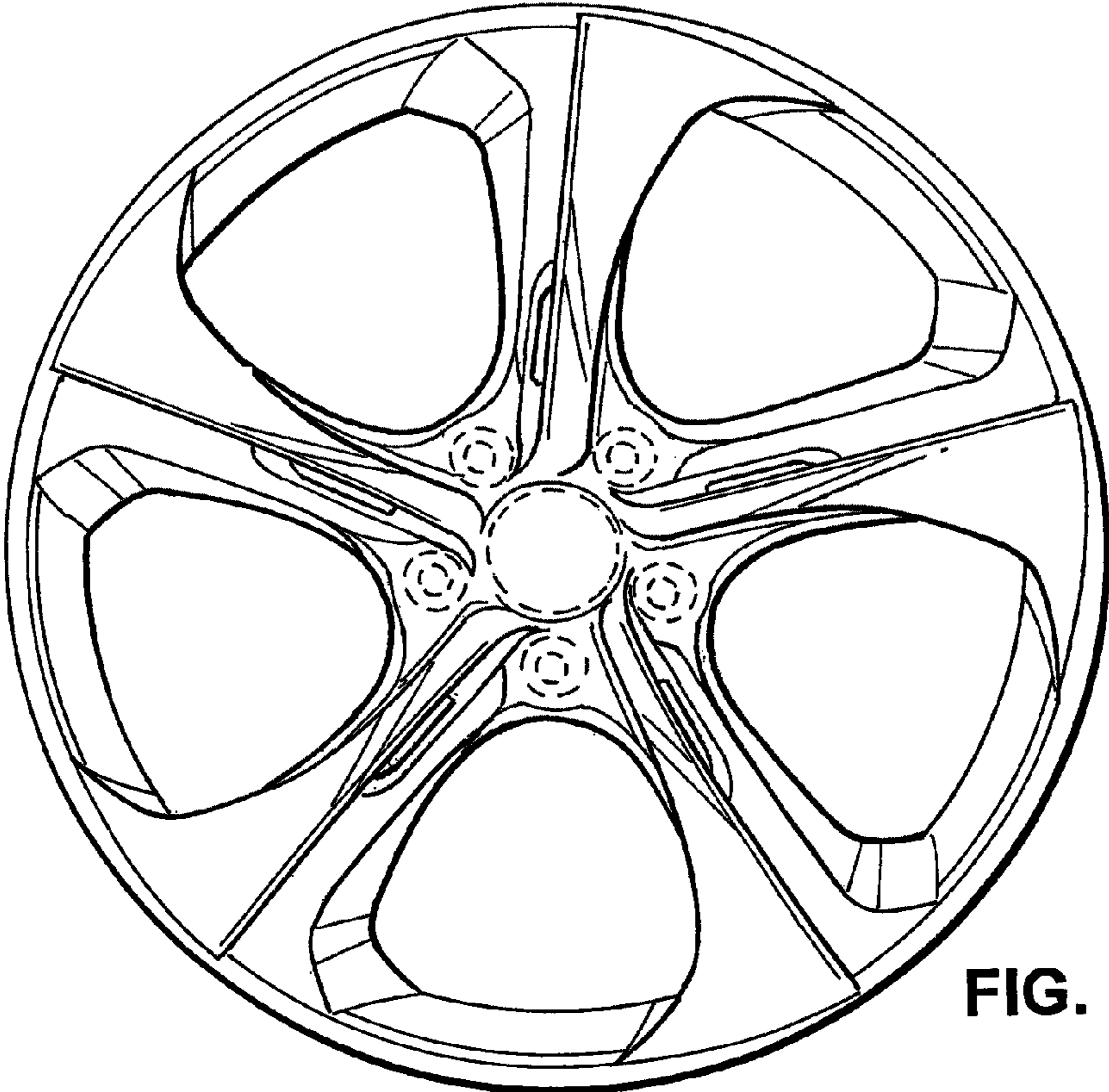


FIG. 1

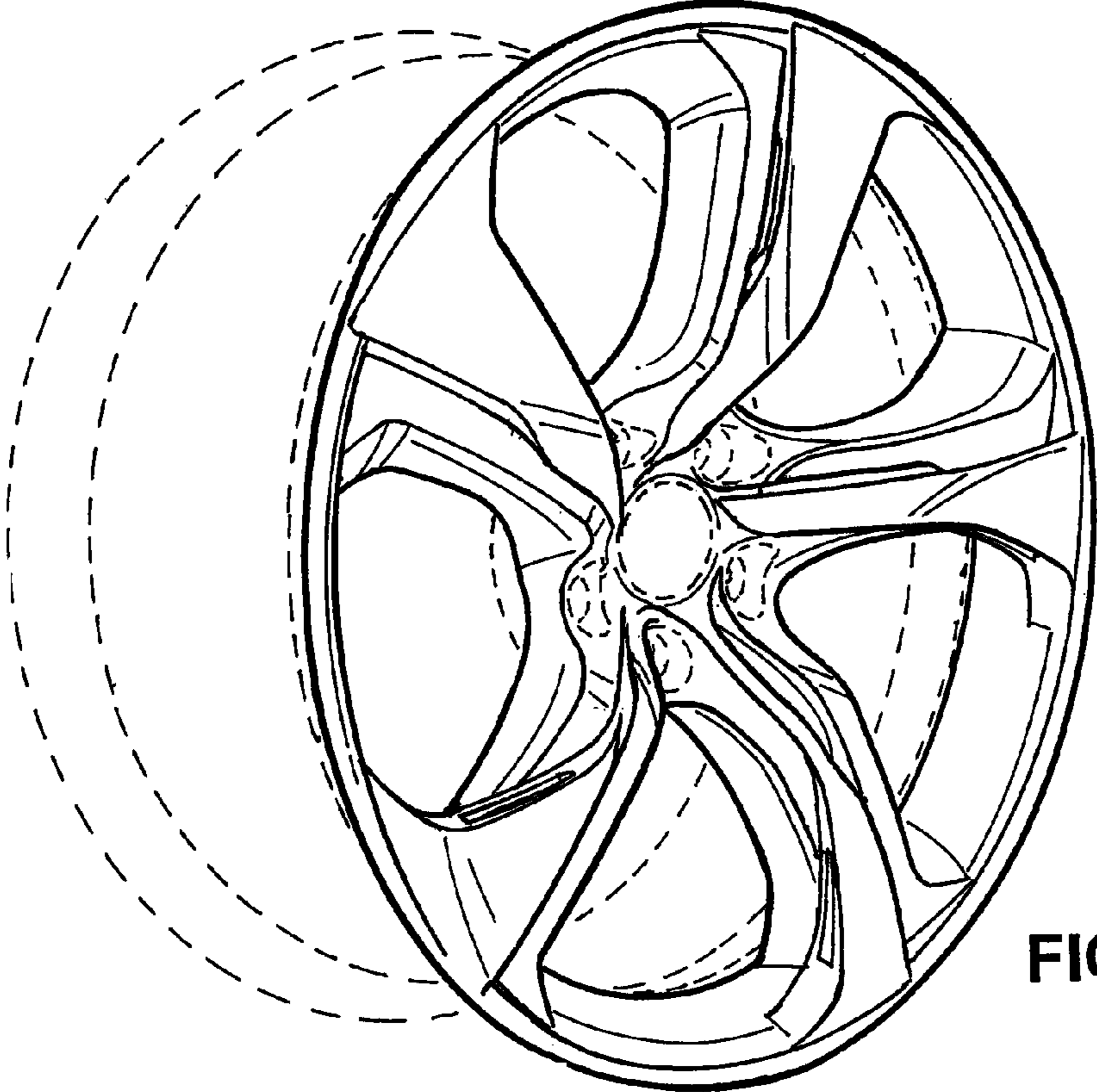


FIG. 2