



US00D654841S

(12) **United States Design Patent**
Mueller-Stolz et al.

(10) **Patent No.:** **US D654,841 S**

(45) **Date of Patent:** **** Feb. 28, 2012**

(54) **WHEEL OR WHEEL COVER**

(75) Inventors: **Dirk Mueller-Stolz**, Munich (DE);
Henning Holstein, Dietersburg (DE)

(73) Assignee: **Bayerische Motoren Werke**
Aktiengesellschaft, Munich (DE)

(**) Term: **14 Years**

(21) Appl. No.: **29/371,387**

(22) Filed: **Jan. 26, 2011**

(30) **Foreign Application Priority Data**

Jul. 27, 2010 (DE) 402010004177

(51) **LOC (9) Cl.** **12-16**

(52) **U.S. Cl.** **D12/209**

(58) **Field of Classification Search** D12/204-213;
301/37.101, 64.101, 65, 64.201
See application file for complete search history.

(56) **References Cited**

U.S. PATENT DOCUMENTS

D483,714 S *	12/2003	Warming	D12/211
D486,111 S	2/2004	Weidhase		
D500,004 S	12/2004	Szavits		
D501,817 S *	2/2005	Pfeiffer	D12/211
D528,495 S *	9/2006	Truebsbach	D12/211
D563,305 S	3/2008	Schweizer		
D567,165 S *	4/2008	Truebsbach	D12/209
D570,276 S *	6/2008	Chung	D12/211

D596,101 S *	7/2009	Tant et al.	D12/211
D601,075 S *	9/2009	Szavits	D12/211
D603,318 S *	11/2009	Luciani et al.	D12/209
D621,767 S *	8/2010	Ectors et al.	D12/209
D621,771 S *	8/2010	Truebsbach	D12/211
D623,108 S *	9/2010	Spoerle	D12/209
D625,243 S *	10/2010	Holstein	D12/211
D634,250 S *	3/2011	Matei et al.	D12/209
D635,903 S *	4/2011	Zhang	D12/209
D643,355 S *	8/2011	Truebsbach	D12/209
D643,794 S *	8/2011	Elmitt	D12/211

FOREIGN PATENT DOCUMENTS

DE	40107972.4	1/2002
EM	000141791-0006	6/2004
EM	000689344-0001	1/2008
EM	001674441-0002	12/2010

* cited by examiner

Primary Examiner — Stacia Cadmus

(74) *Attorney, Agent, or Firm* — Crowell & Moring LLP

(57) **CLAIM**

The ornamental design for a wheel or wheel cover, as shown and described.

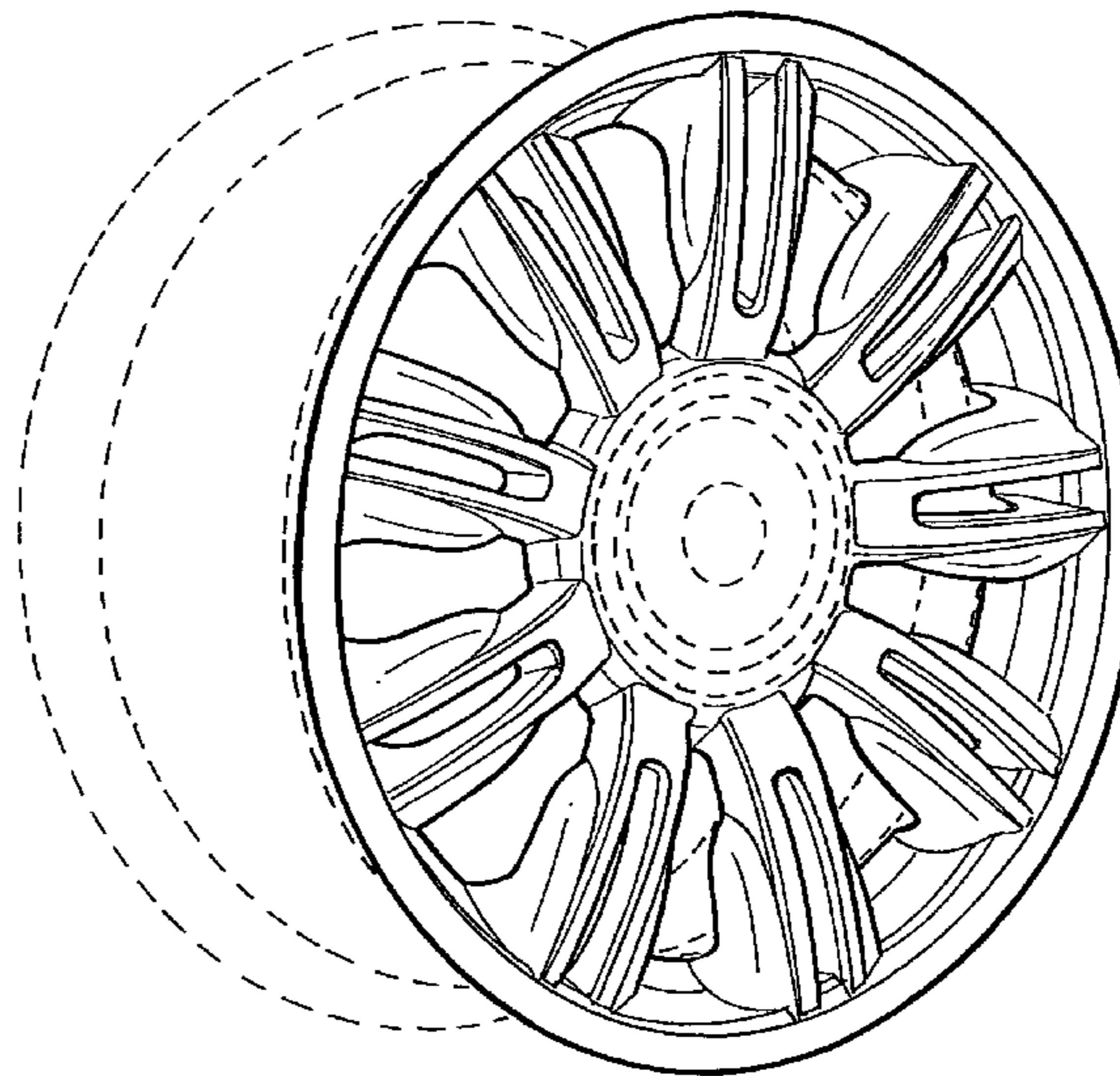
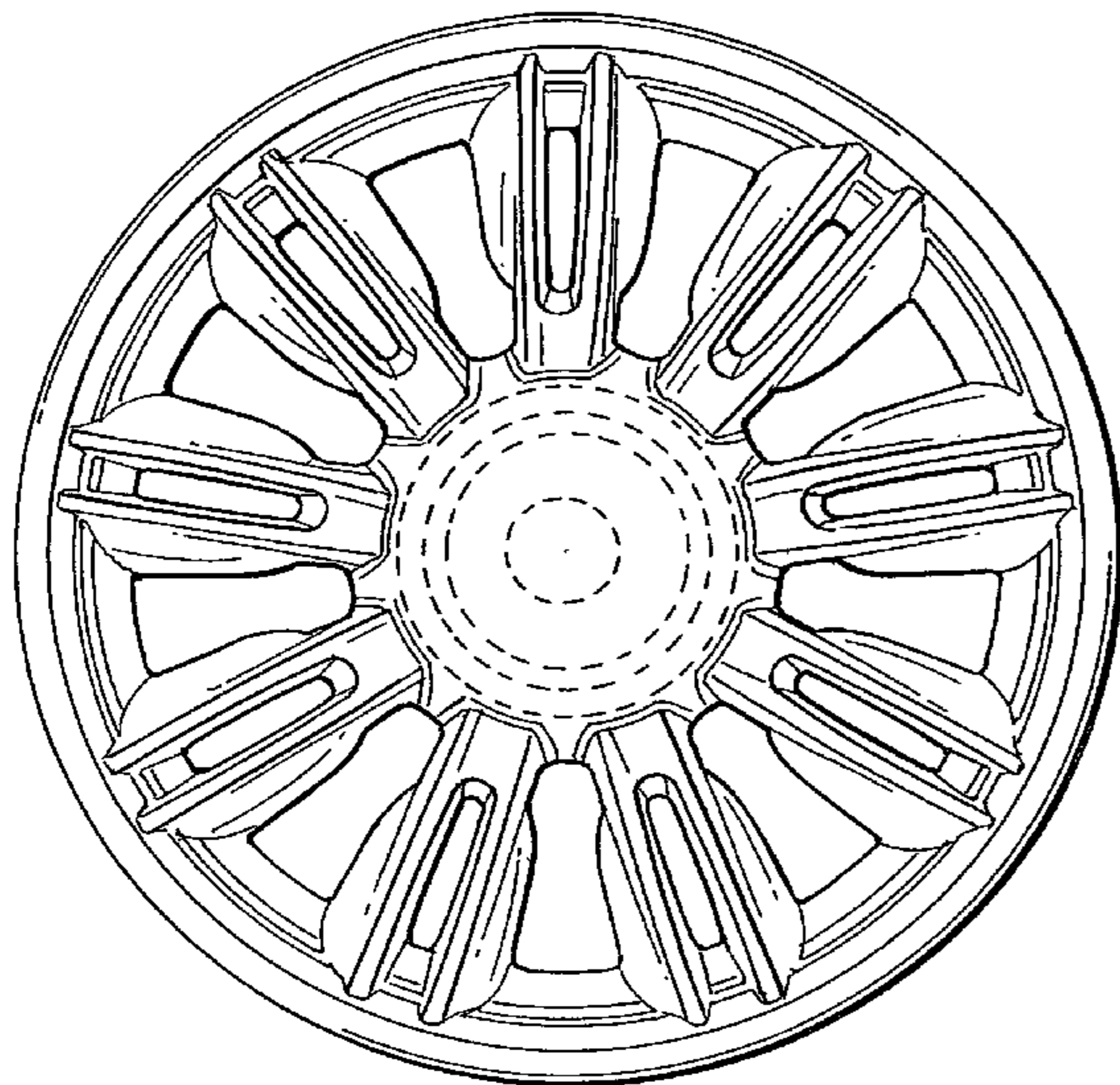
DESCRIPTION

FIG. 1 is a front view of a wheel or wheel cover according to our design; and,

FIG. 2 is a perspective view thereof.

The broken line showing of the rear of the wheel and the central hub area is included for the purpose of illustrating environment and forms no part of the claimed design.

1 Claim, 1 Drawing Sheet



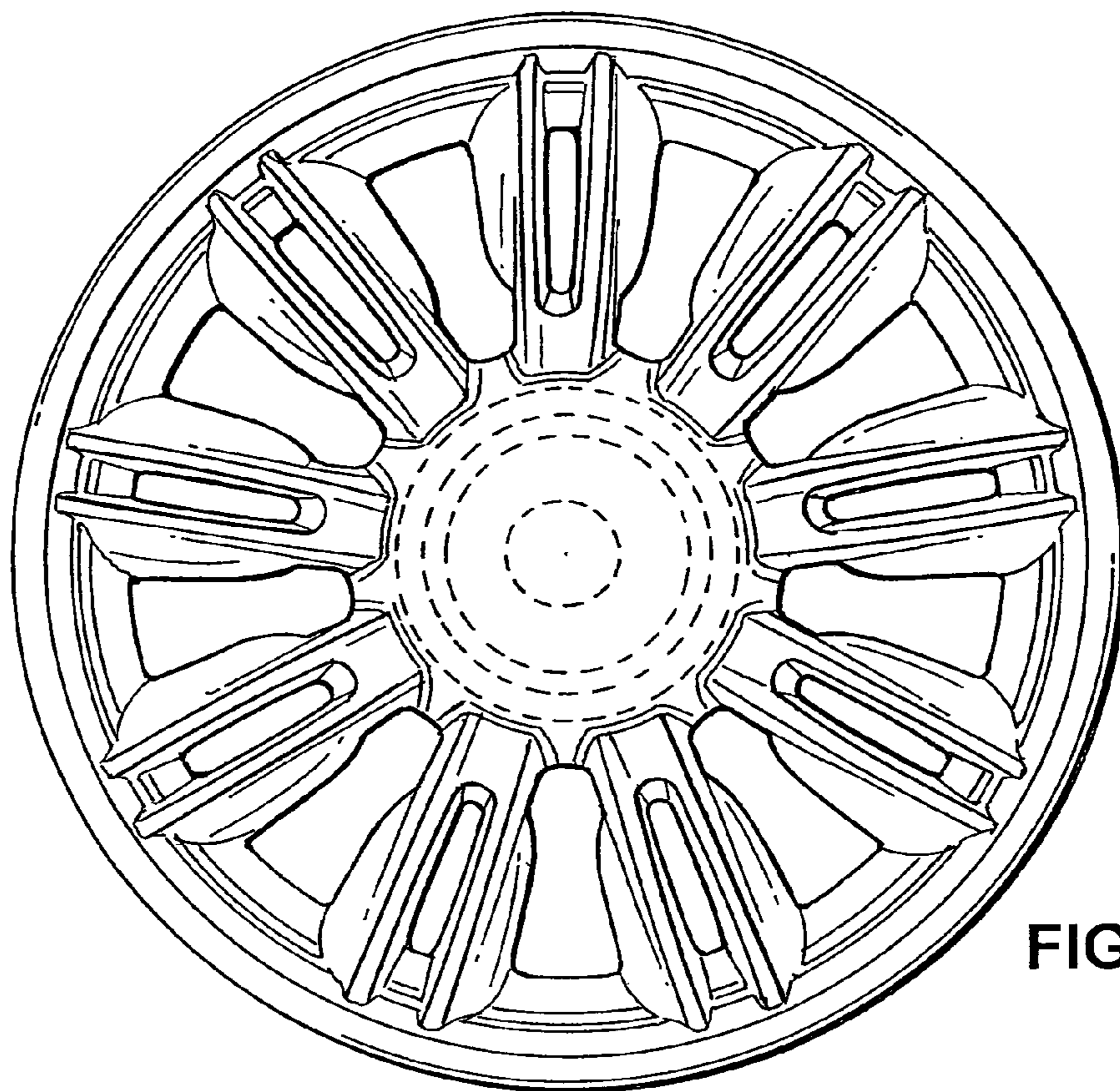


FIG. 1

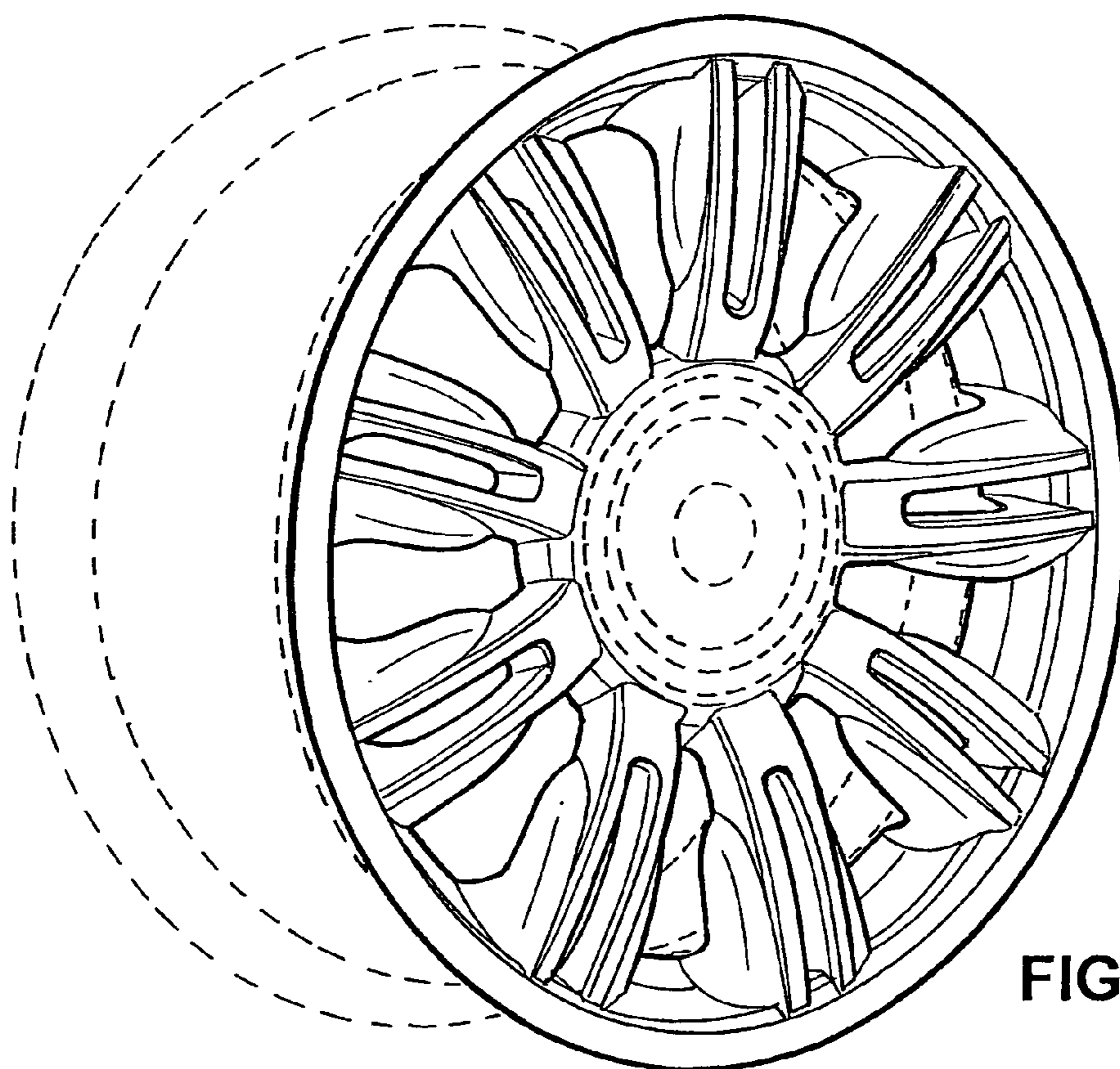


FIG. 2