



US00D654840S

(12) **United States Design Patent**  
**Barnaba**

(10) **Patent No.:** **US D654,840 S**

(45) **Date of Patent:** **\*\* Feb. 28, 2012**

(54) **AUTOMOBILE**

(75) **Inventor:** **Ronald J. Barnaba**, Geneva, IL (US)

(73) **Assignee:** **Ed Napleton Westmont Imports, Inc.**,  
Westmont, IL (US)

(\*\*) **Term:** **14 Years**

(21) **Appl. No.:** **29/360,043**

(22) **Filed:** **Apr. 20, 2010**

(51) **LOC (9) Cl.** ..... **12-08**

(52) **U.S. Cl.** ..... **D12/196; D12/190**

(58) **Field of Classification Search** ..... D12/86,  
D12/90-92, 196, 190; D21/431, 433, 434;  
296/181.1, 181.5

See application file for complete search history.

(56) **References Cited**

**U.S. PATENT DOCUMENTS**

D546,258 S *	7/2007	Kulla et al.	.....	D12/196
D547,707 S *	7/2007	Kulla	.....	D12/181
D559,750 S *	1/2008	Kulla	.....	D12/181
D607,384 S *	1/2010	Krauss	.....	D12/181

D607,386 S *	1/2010	Kulla et al.	.....	D12/181
D610,488 S *	2/2010	Kulla et al.	.....	D12/92
D623,557 S *	9/2010	Kulla et al.	.....	D12/92
D624,471 S *	9/2010	Green	.....	D12/169

\* cited by examiner

*Primary Examiner* — Melody N Brown

(57) **CLAIM**

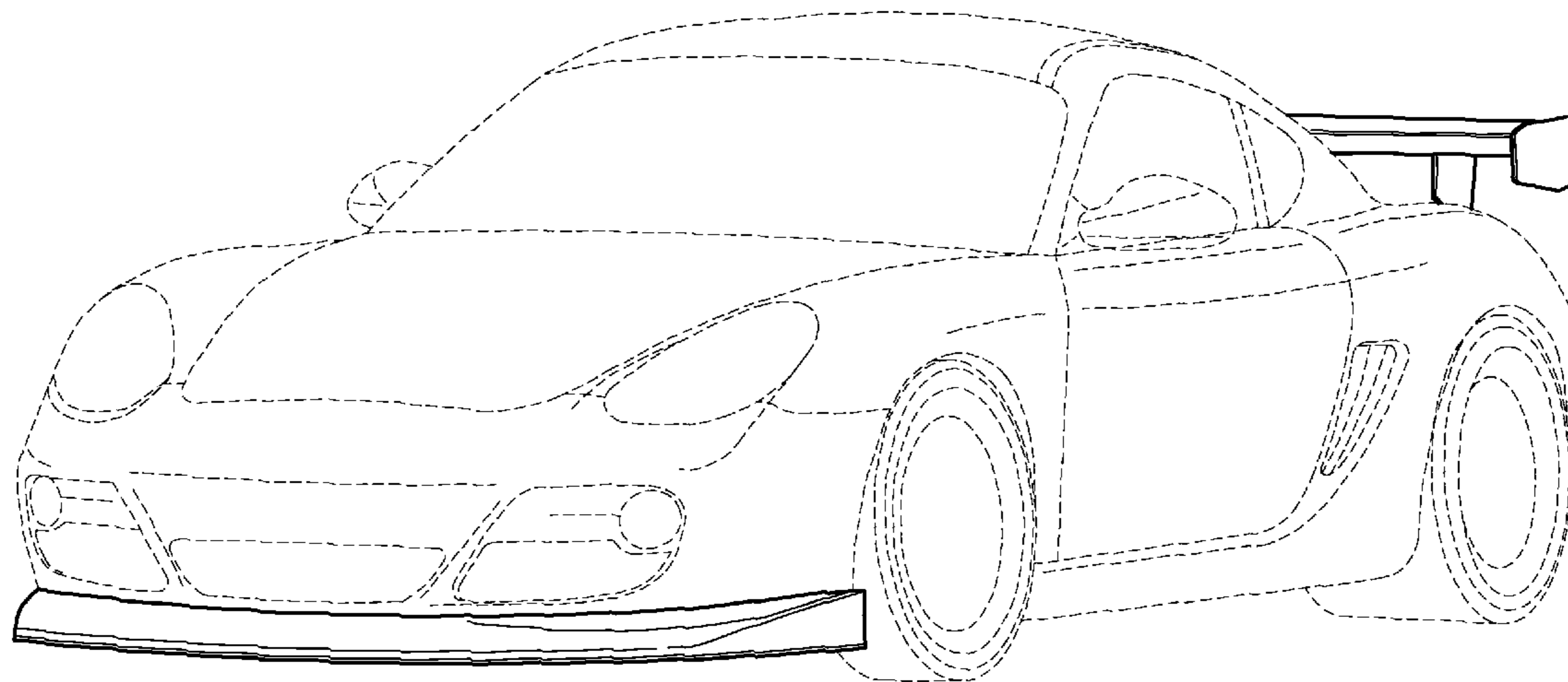
The ornamental design for an automobile, as shown and described.

**DESCRIPTION**

FIG. 1 is a front and right side perspective view of an automobile showing our new design;  
FIG. 2 is a rear and left side perspective view thereof;  
FIG. 3 is a right side elevation view thereof;  
FIG. 4 is a left side elevation view thereof;  
FIG. 5 is a front elevation view thereof; and,  
FIG. 6 is a rear elevation view thereof.

The portions of the vehicle shown in broken lines throughout the drawing are for illustrative purposes only and form no part of the claimed design.

**1 Claim, 5 Drawing Sheets**



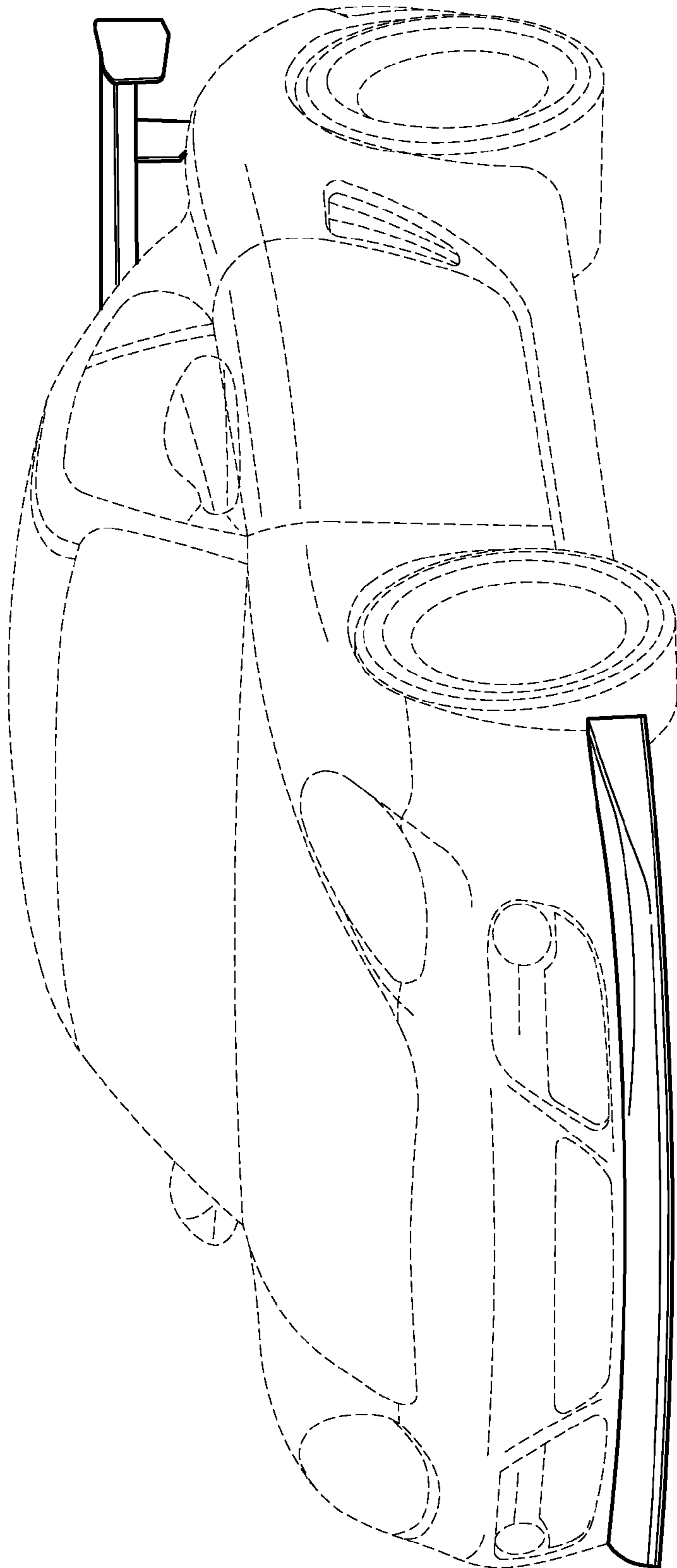


FIG - 1

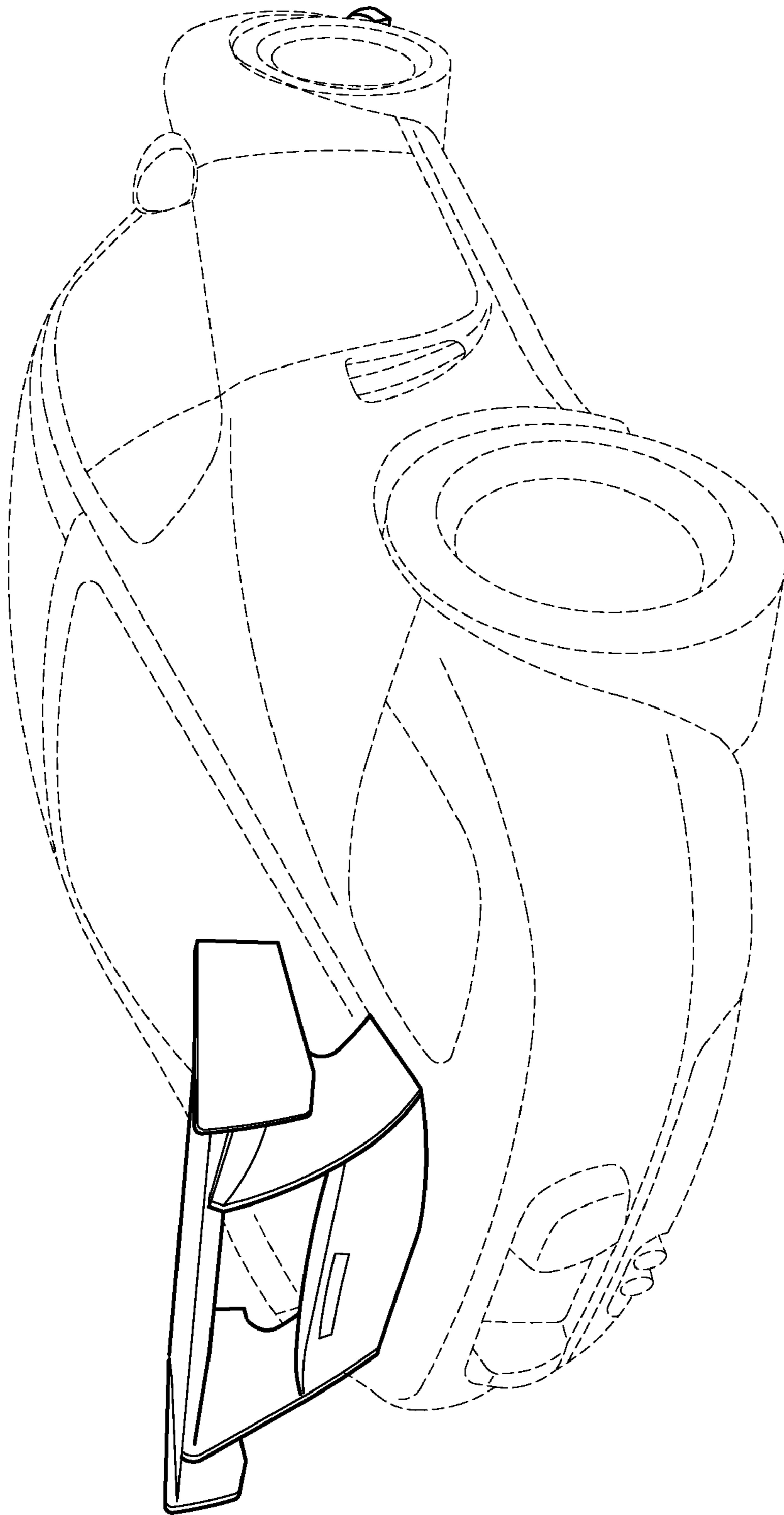


FIG - 2

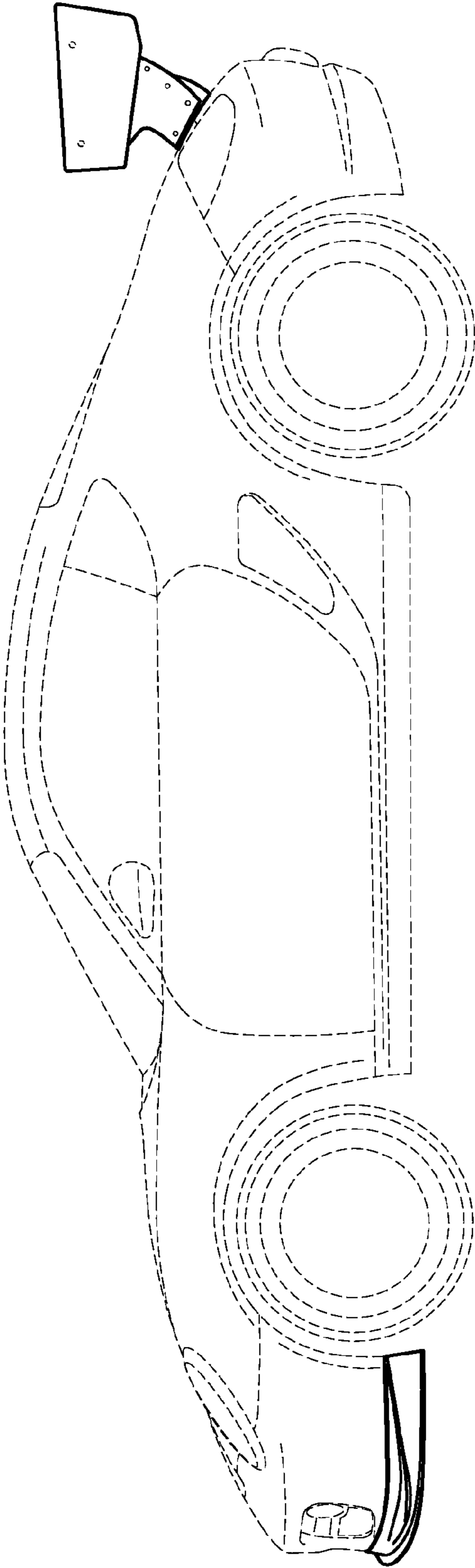


FIG - 3

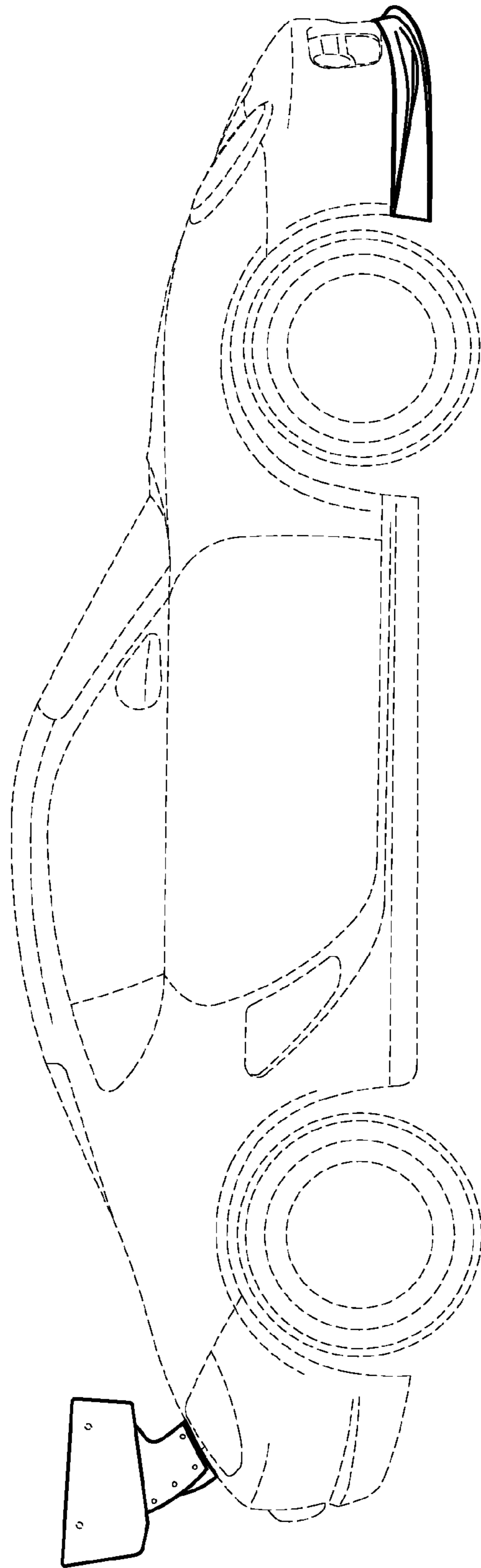


FIG - 4

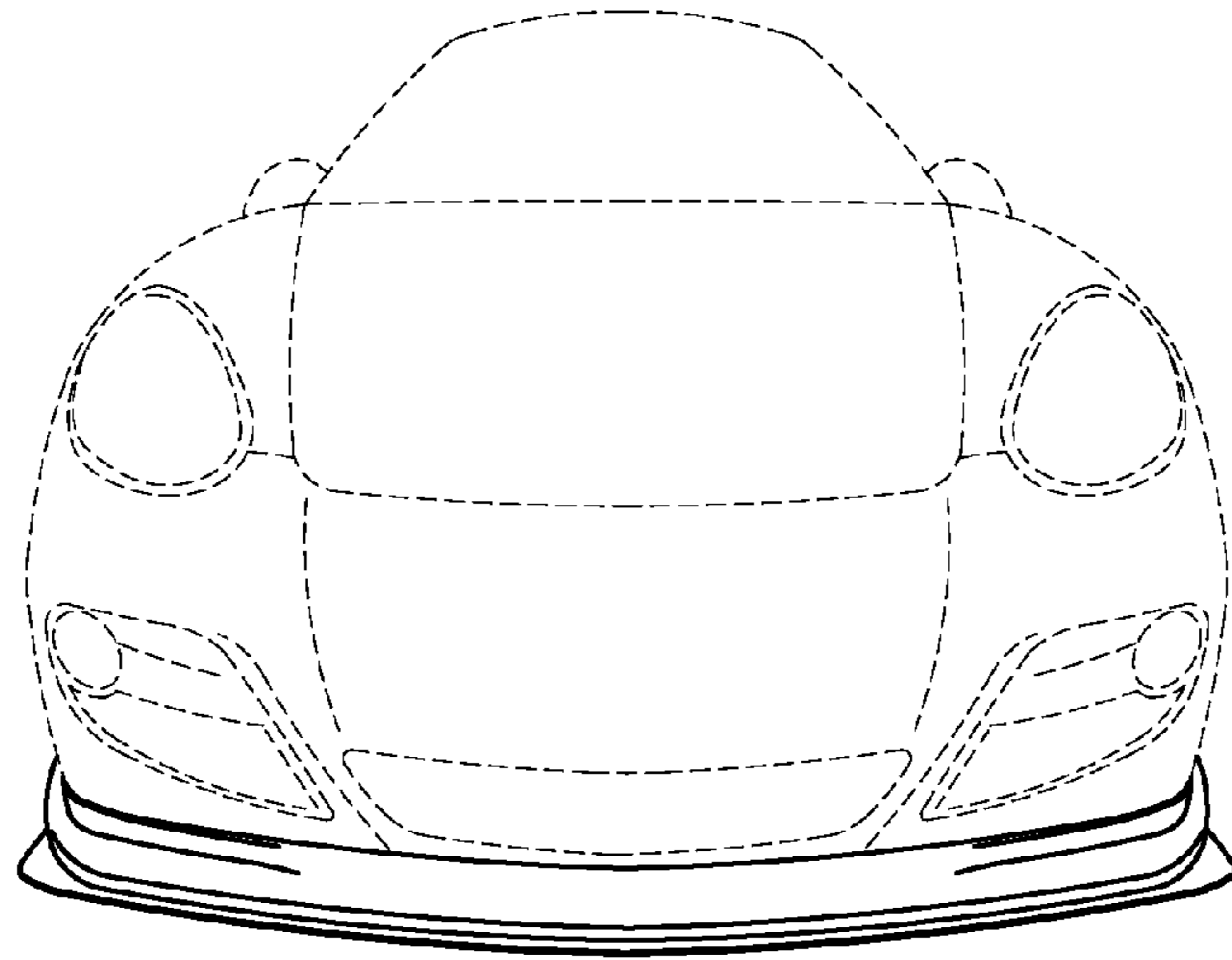


FIG - 5

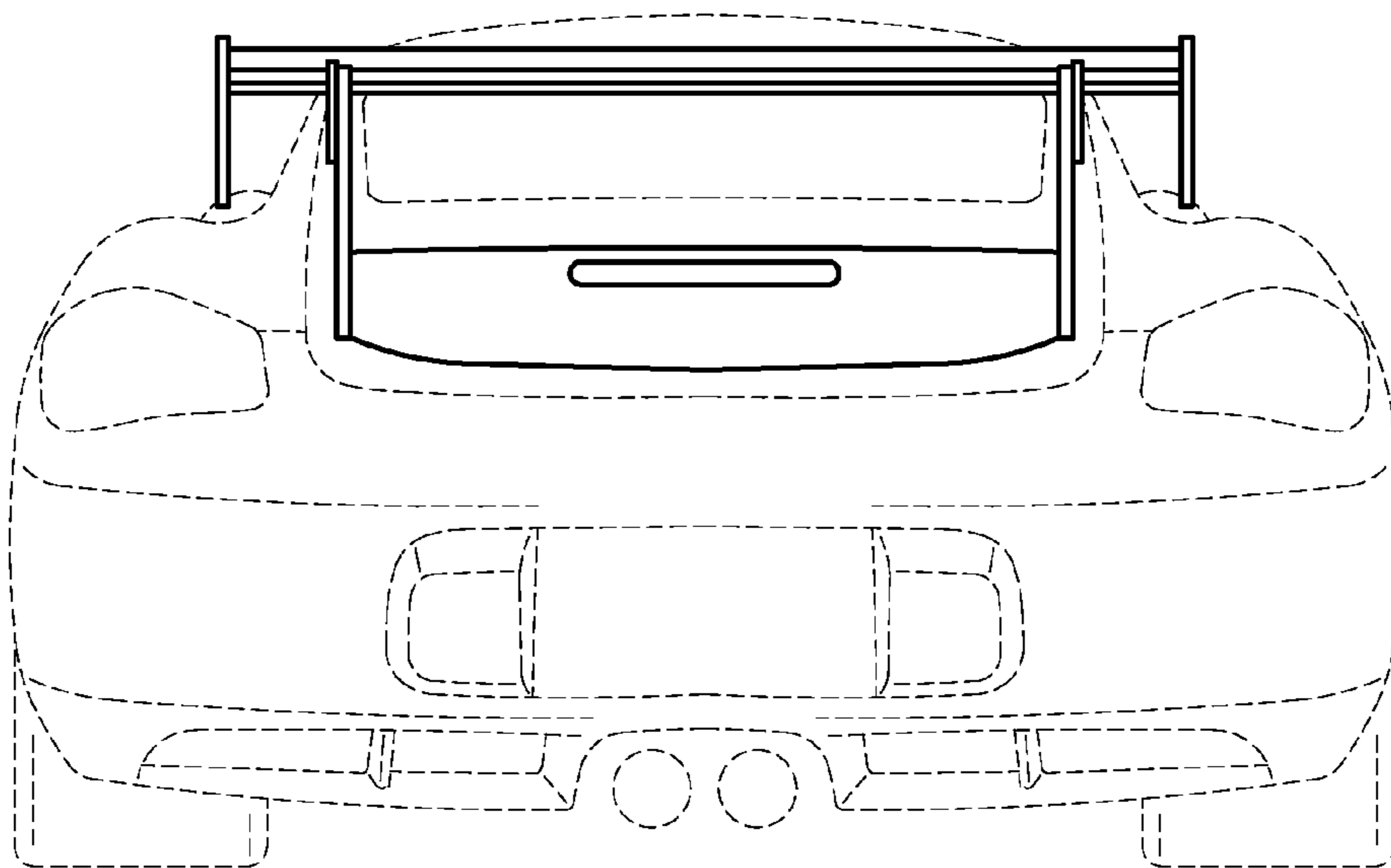


FIG - 6