

US00D654838S

(12) **United States Design Patent**
Sanchez

(10) **Patent No.:** **US D654,838 S**

(45) **Date of Patent:** **** Feb. 28, 2012**

(54) **THEFT-PREVENTING LICENSE PLATE FRAME**

(74) *Attorney, Agent, or Firm* — QuickPatents, Inc.; Kevin Prince

(76) Inventor: **James Sanchez**, Livermore, CA (US)

(57) **CLAIM**

(**) Term: **14 Years**

I claim the ornamental design for a theft-preventing license plate frame, as shown and described.

(21) Appl. No.: **29/398,316**

DESCRIPTION

(22) Filed: **Jul. 28, 2011**

(51) **LOC (9) Cl.** **12-16**

(52) **U.S. Cl.** **D12/193**

(58) **Field of Classification Search** D12/193;
D6/300-302, 309-314; 40/200-204, 207-214;
D20/13; 348/148, 373

See application file for complete search history.

FIG. 1 is a perspective view of a theft-preventing license plate frame shown in its position of use, showing my new design; FIG. 2 is a rear perspective view thereof, showing a hinged element in an extended position; FIG. 3 is a front elevational view thereof; FIG. 4 is a rear elevational view of FIG. 2; FIG. 5 is a left-side elevational view of FIG. 2, the right-side elevational view being a mirror image thereof; FIG. 6 is a top plan view of FIG. 2; FIG. 7 is a bottom plan view of FIG. 2; and, FIG. 8 is a rear perspective view thereof, showing the hinged element in a retracted position.

The broken lines showing a vehicle in FIG. 1 depict environmental matter and form no part of the claimed design.

The license plate frame is shown on an enlarged scale in FIGS. 2-8.

(56) **References Cited**

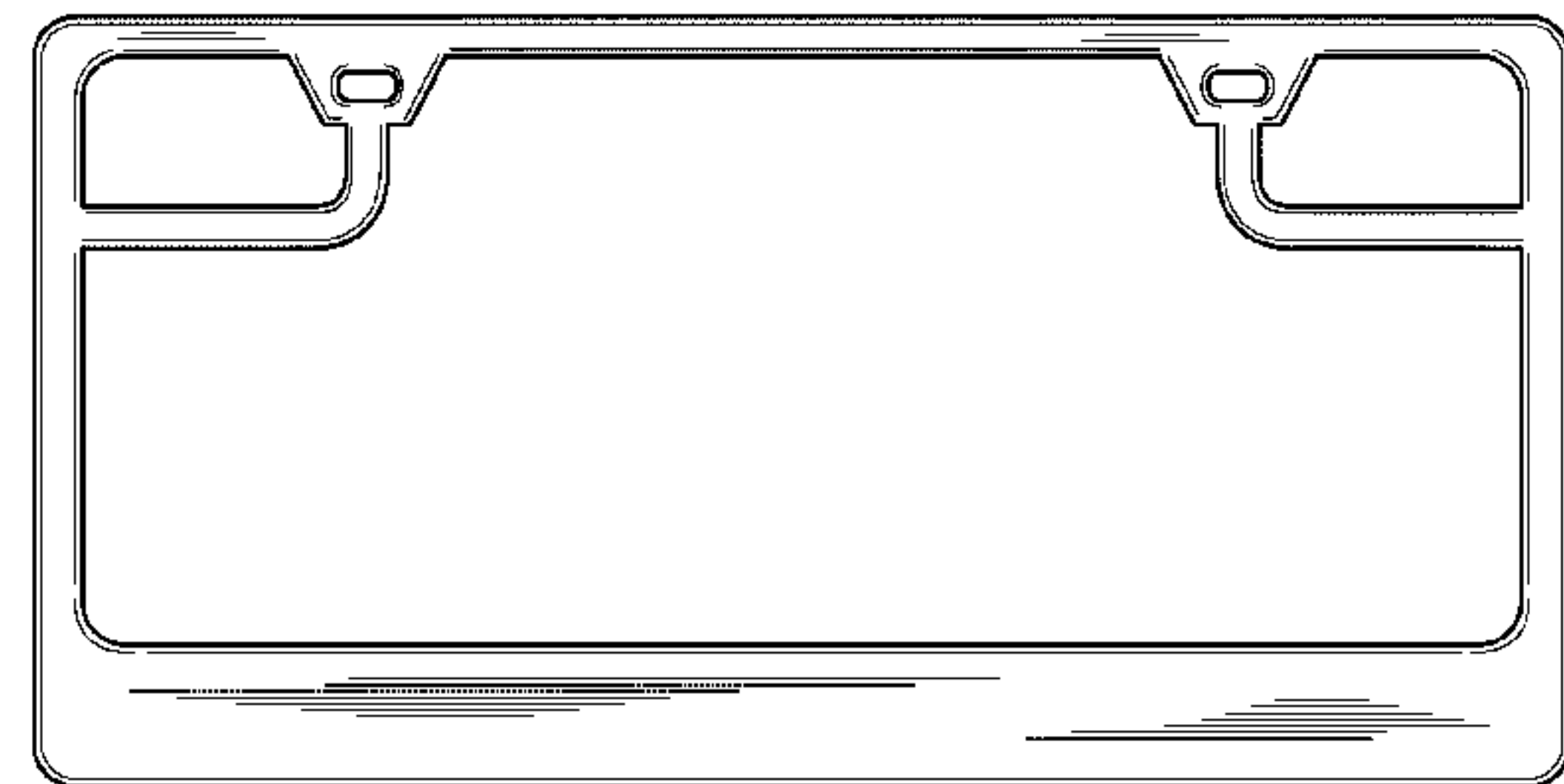
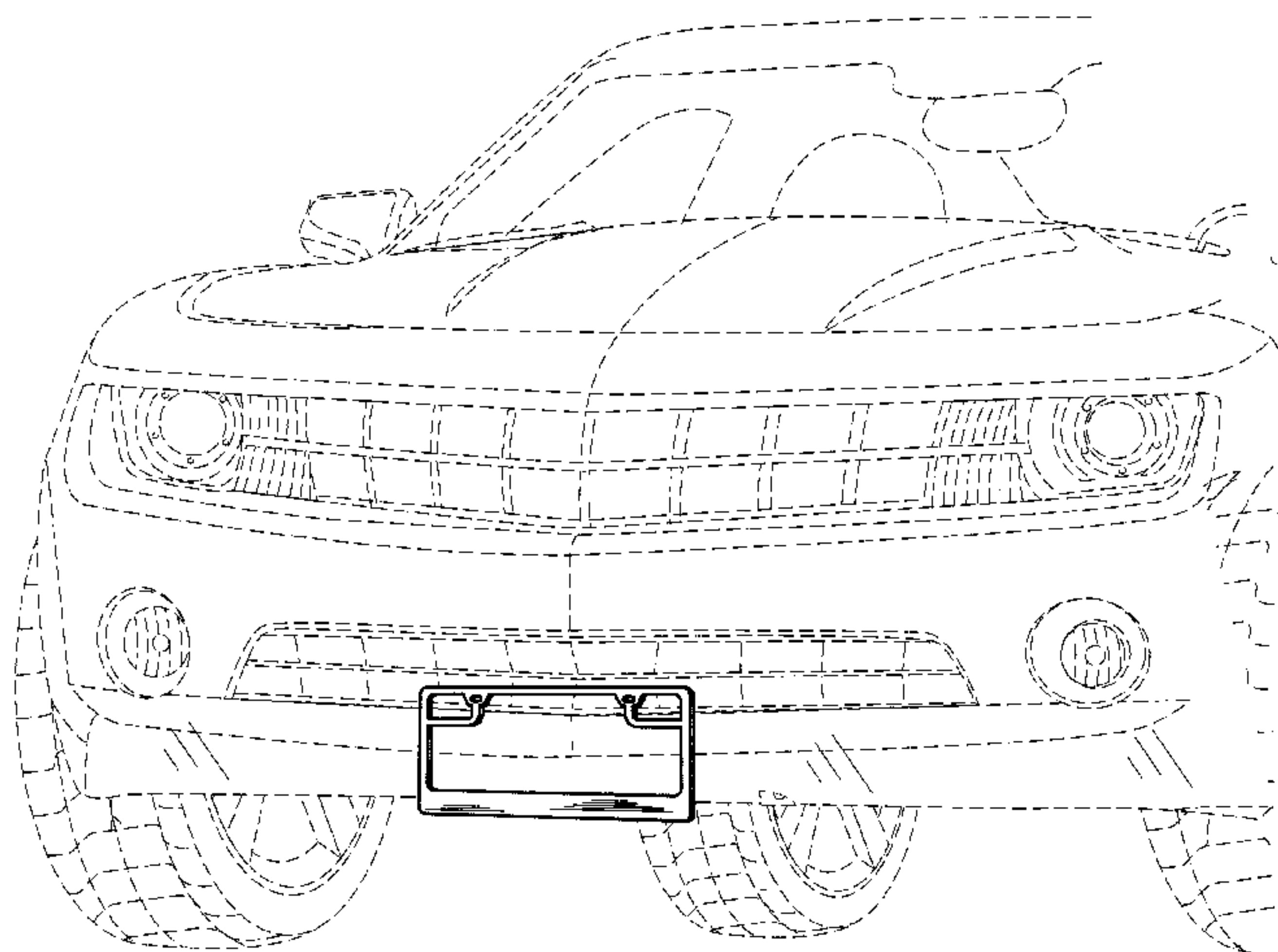
U.S. PATENT DOCUMENTS

| | | | | |
|--------------|--------|-----------|-------|---------|
| D310,347 S * | 9/1990 | Spencer | | D12/193 |
| D396,439 S * | 7/1998 | Turnquest | | D12/193 |
| D516,483 S * | 3/2006 | Eidsmore | | D12/193 |
| D623,105 S * | 9/2010 | Aneiros | | D12/193 |
| D644,973 S * | 9/2011 | Miyawaki | | D12/193 |

* cited by examiner

Primary Examiner — Stacia Cadmus

1 Claim, 4 Drawing Sheets



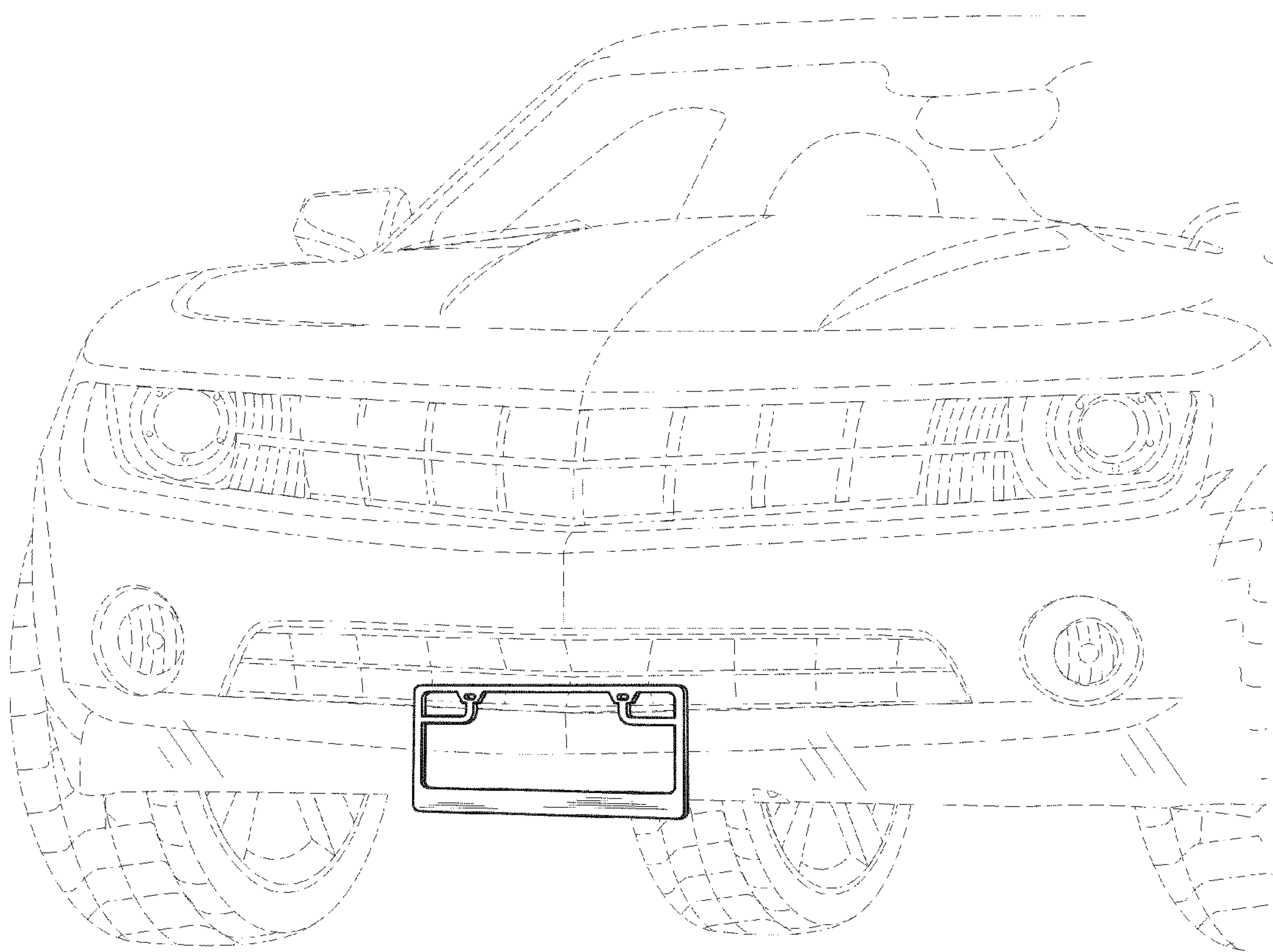


FIG. 1

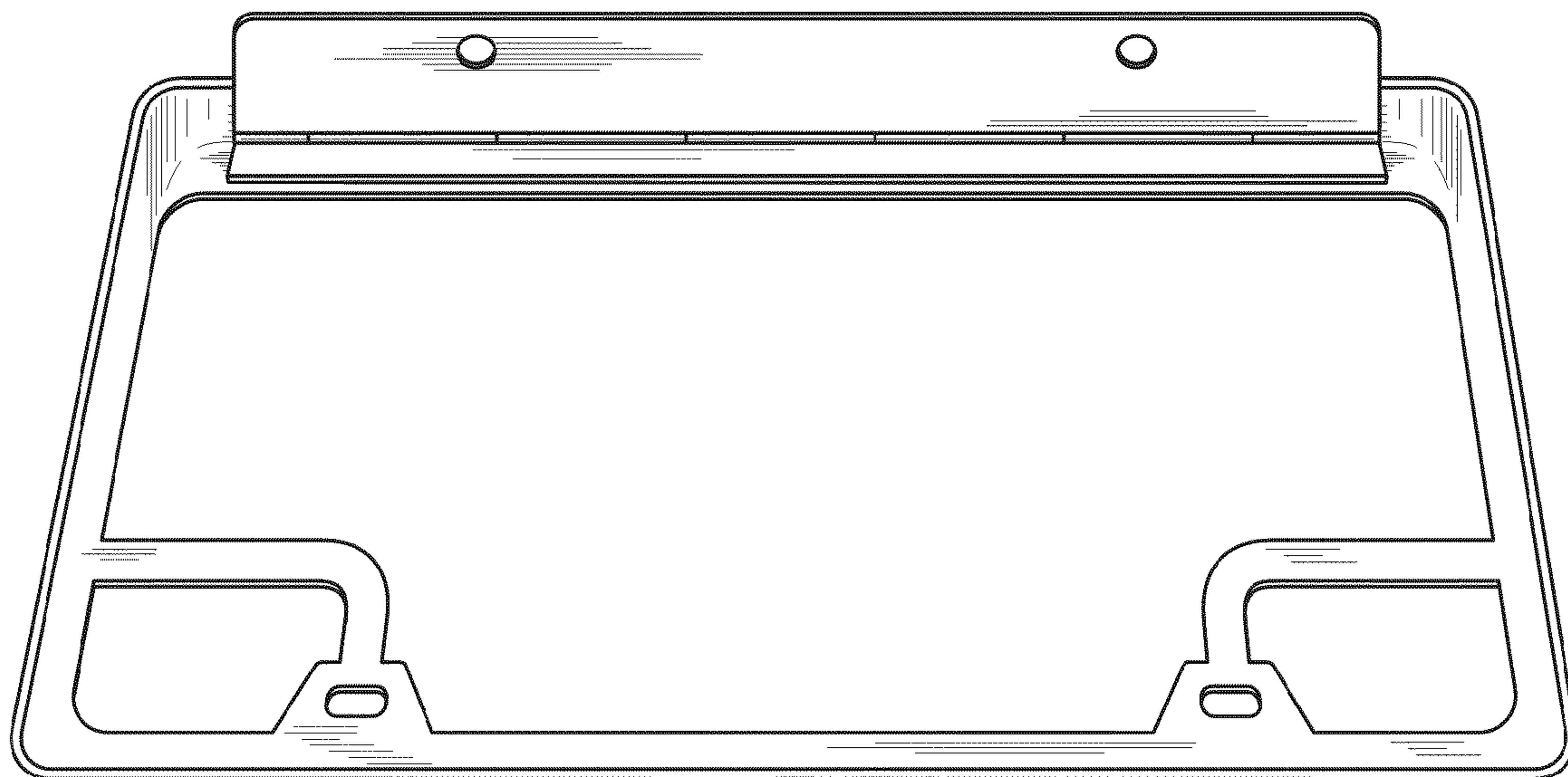


FIG. 2

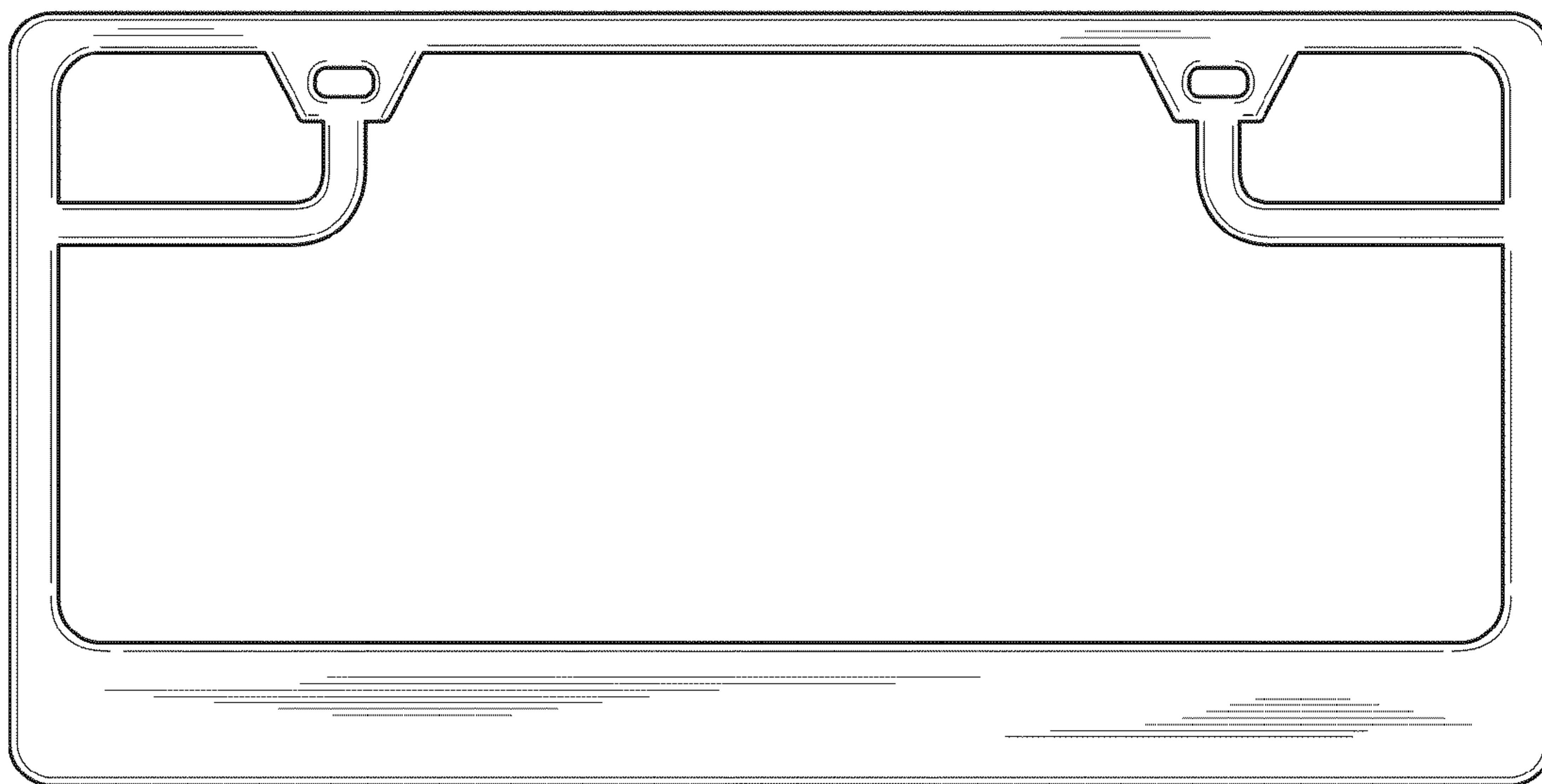


FIG. 3

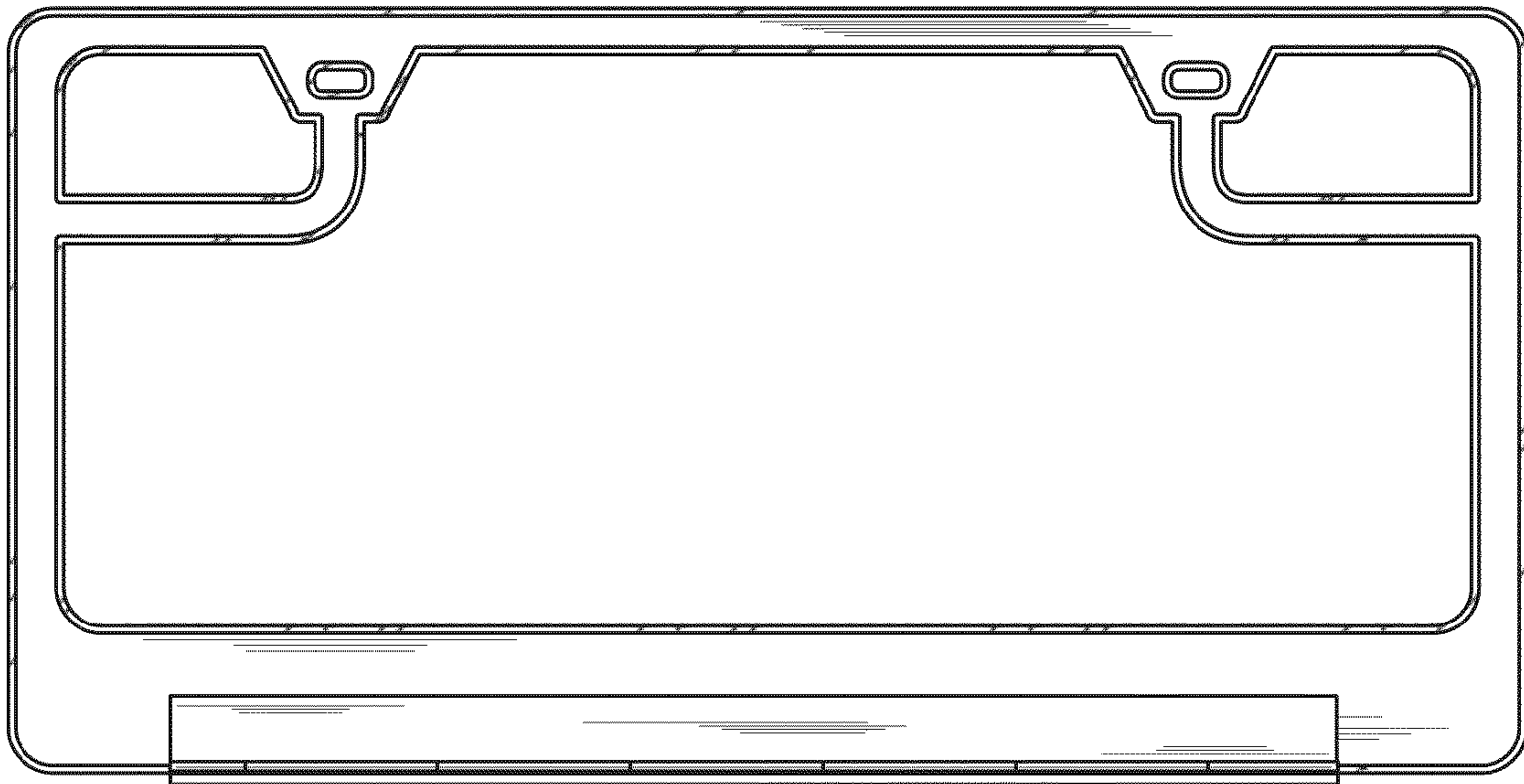


FIG. 4

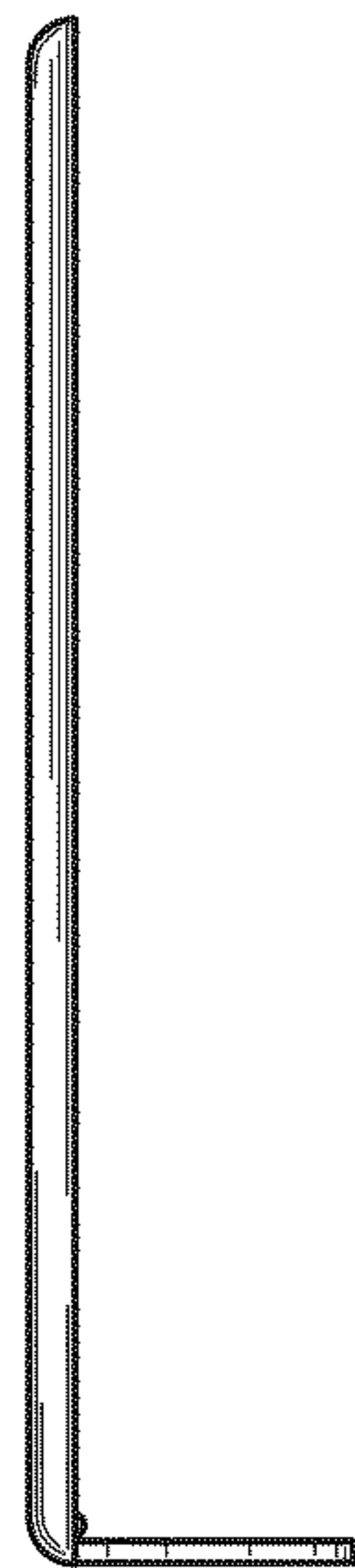


FIG. 5



FIG. 6

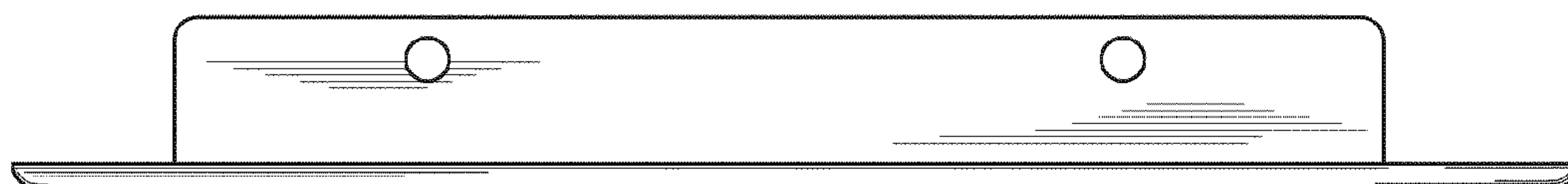


FIG. 7

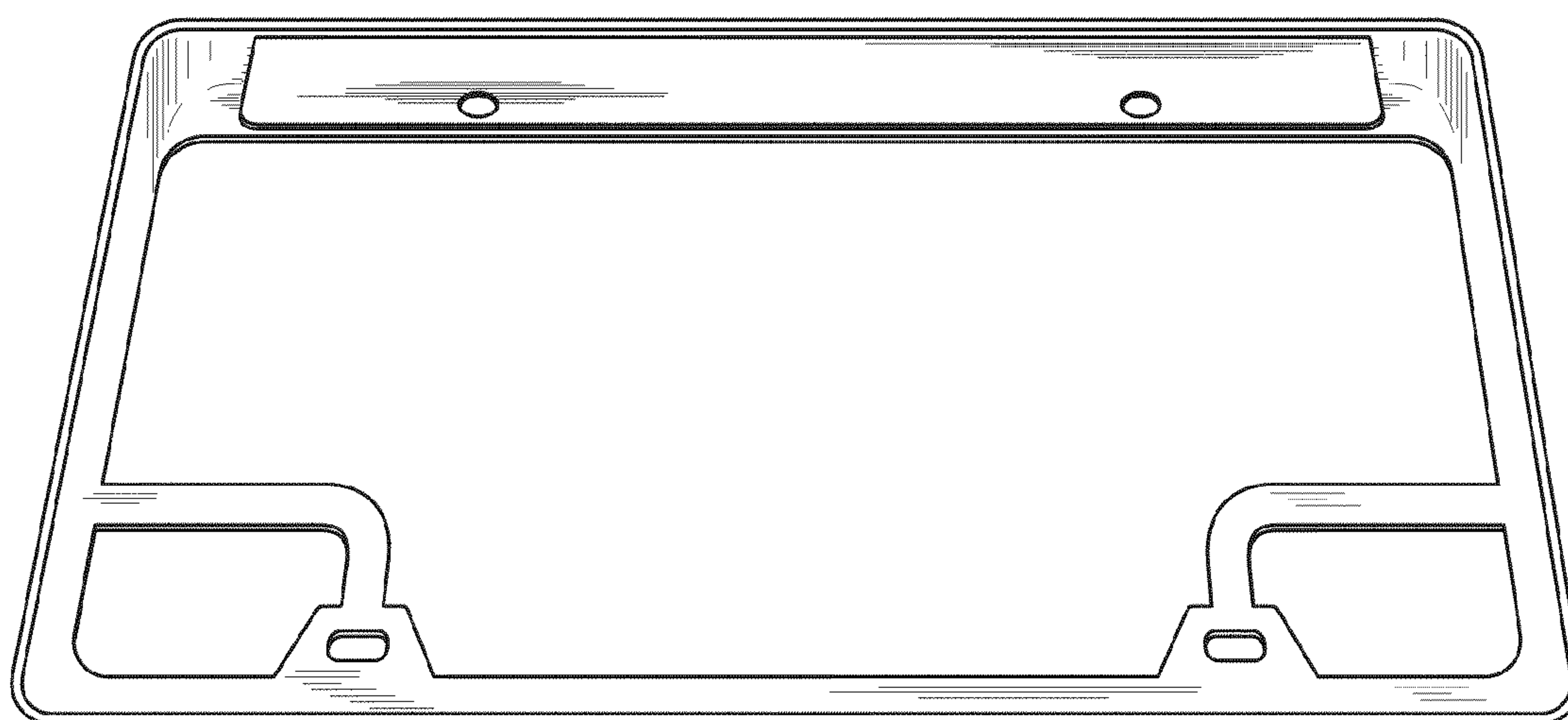


FIG. 8