



US00D654837S

(12) **United States Design Patent**  
**Riggs et al.**

(10) **Patent No.:** **US D654,837 S**

(45) **Date of Patent:** **\*\* Feb. 28, 2012**

(54) **INSTRUMENT PANEL OF A RECREATIONAL VEHICLE**

(75) Inventors: **Robert B. Riggs**, Canton, MI (US);  
**Bryan Young**, Ypsilante, MI (US); **Eric J. Parkes**, Junction City, OR (US)

(73) Assignee: **International Truck Intellectual Property Company, LLC**, Warrenville, IL (US)

(\*\*) Term: **14 Years**

(21) Appl. No.: **29/396,085**

(22) Filed: **Jun. 24, 2011**

(51) **LOC (9) Cl.** ..... **12-16**

(52) **U.S. Cl.** ..... **D12/192**

(58) **Field of Classification Search** ..... D12/192,  
D12/415, 110, 114; 180/90; 296/190.01-190.09,  
296/191, 70; 280/750-752; D15/17, 28;  
D10/46, 98, 102-103, 122-127

See application file for complete search history.

(56) **References Cited**

**U.S. PATENT DOCUMENTS**

D209,957 S *	1/1968	Lathers	.....	D12/192
D313,968 S *	1/1991	Brunger et al.	.....	D12/192
D339,786 S *	9/1993	Allendorph et al.	.....	D12/192
D378,585 S	3/1997	Duguid et al.		

D397,977 S *	9/1998	Hellhake et al.	.....	D12/192
D413,095 S	8/1999	Abalos et al.		
D431,220 S *	9/2000	Wyszogrod et al.	.....	D12/192
D439,556 S	3/2001	Beigel		
D480,029 S *	9/2003	Kraus	.....	D12/192
D489,301 S *	5/2004	Okonkwo	.....	D12/192
D514,995 S	2/2006	Acton et al.		
D529,556 S *	10/2006	Gannon	.....	D21/334
7,425,891 B2 *	9/2008	Colburn et al.	.....	340/438
D608,265 S	1/2010	Collins et al.		
D619,947 S	7/2010	Tirey et al.		
7,823,952 B2 *	11/2010	Utsugi et al.	.....	296/70

\* cited by examiner

*Primary Examiner* — Caron D Veynar

*Assistant Examiner* — Katrina A Betton

(74) *Attorney, Agent, or Firm* — Jeffrey P. Calfa; Mark C. Bach; Gerald W. Askew

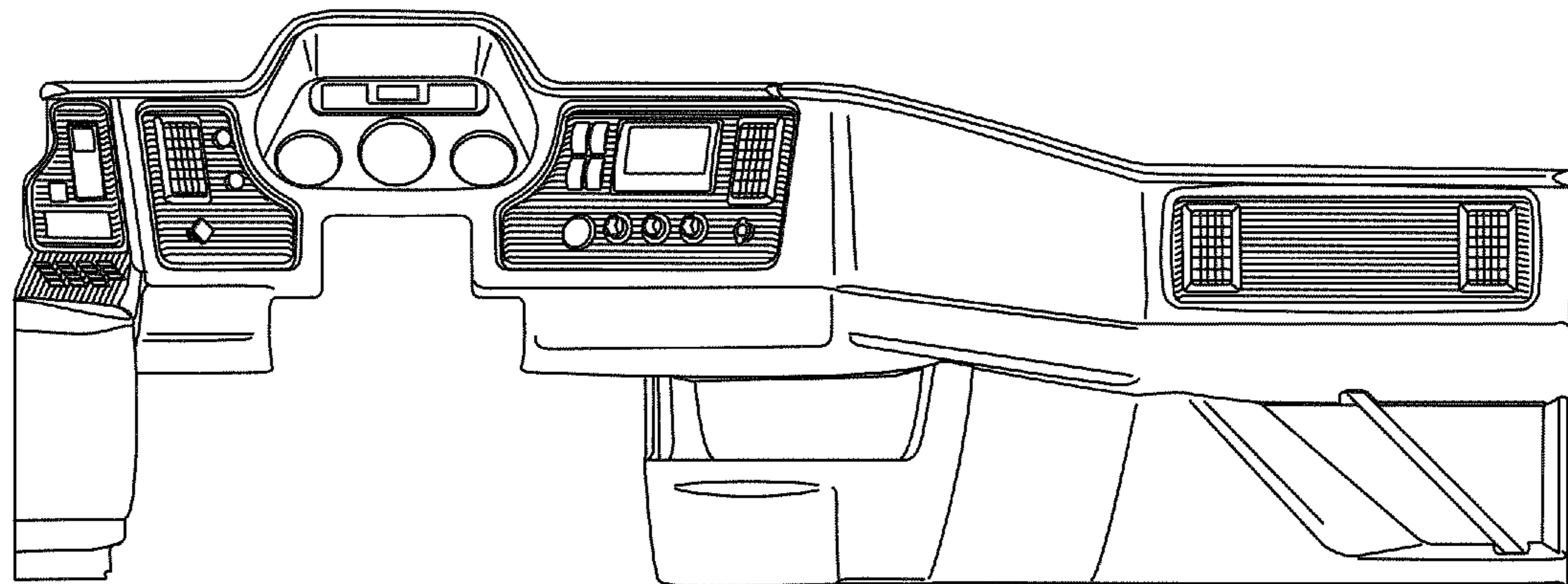
(57) **CLAIM**

The ornamental design for an instrument panel of a recreational vehicle, as shown and described.

**DESCRIPTION**

FIG. 1 is a Front and Left Side Perspective view of an instrument panel of a recreational vehicle showing our new design; FIG. 2 is a Top Plan view thereof; FIG. 3 is a Front Elevation view thereof; FIG. 4 is a Right Side Elevation view thereof; and, FIG. 5 is a Left Side Elevation view thereof.

**1 Claim, 4 Drawing Sheets**



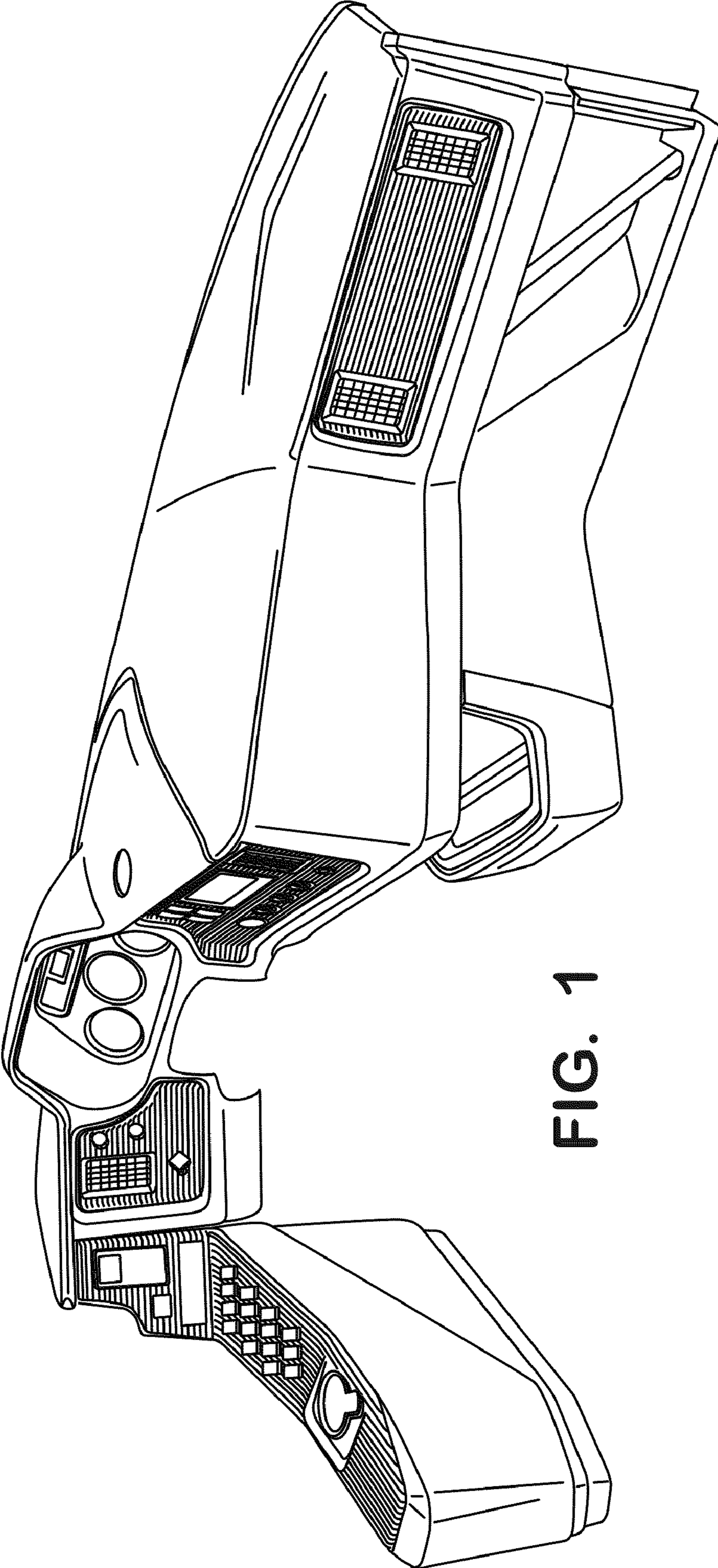


FIG. 1

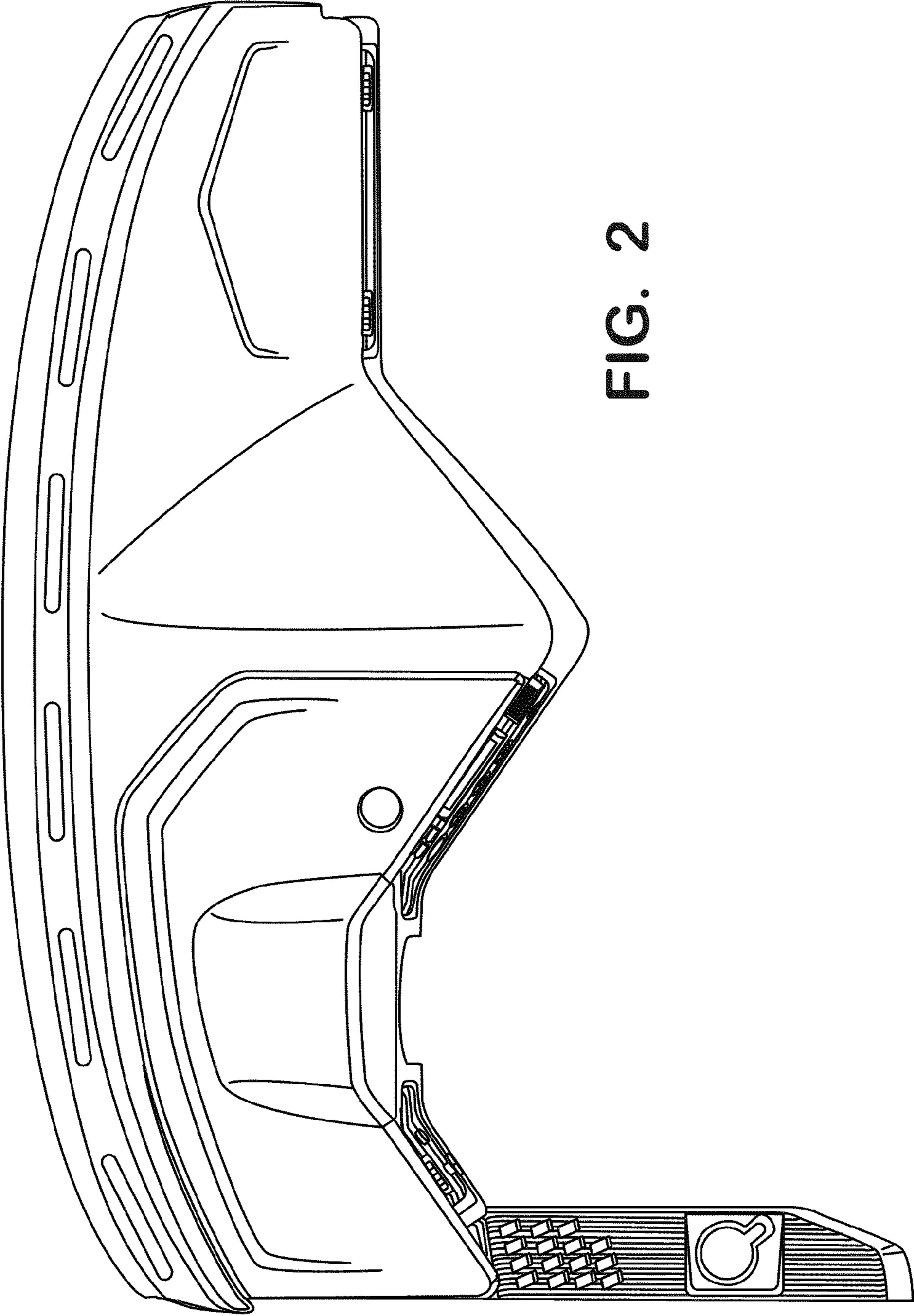


FIG. 2

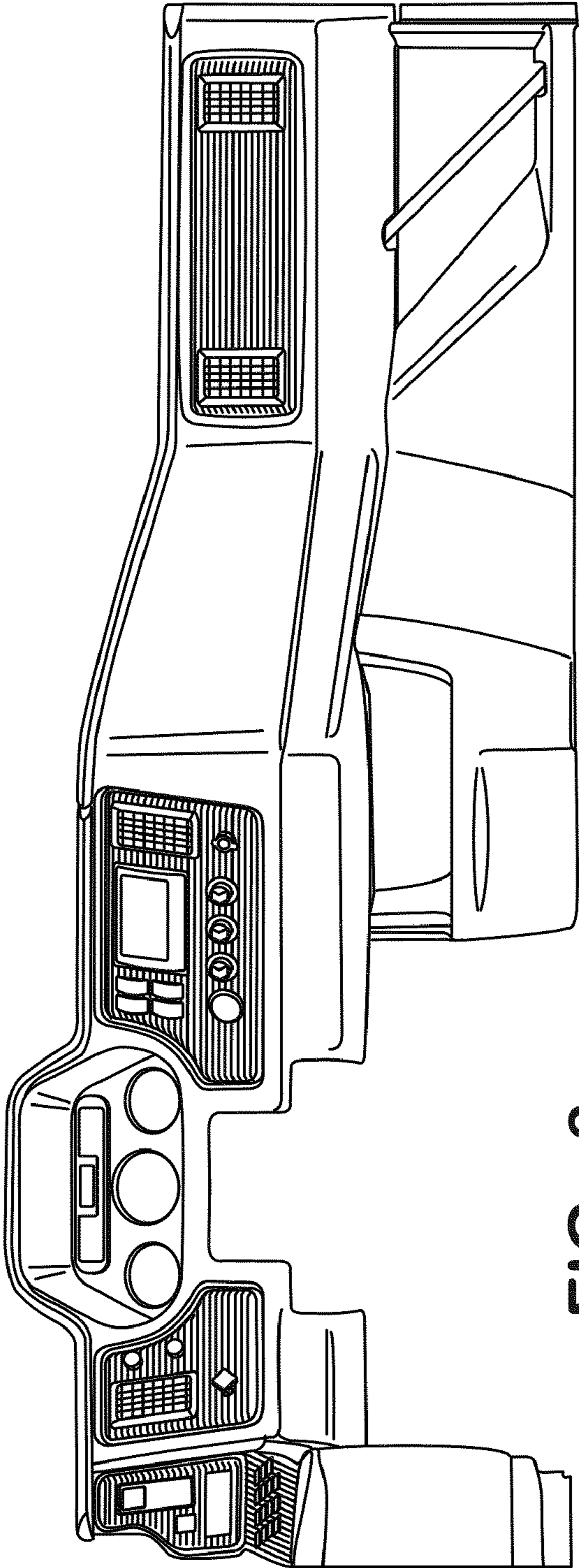


FIG. 3

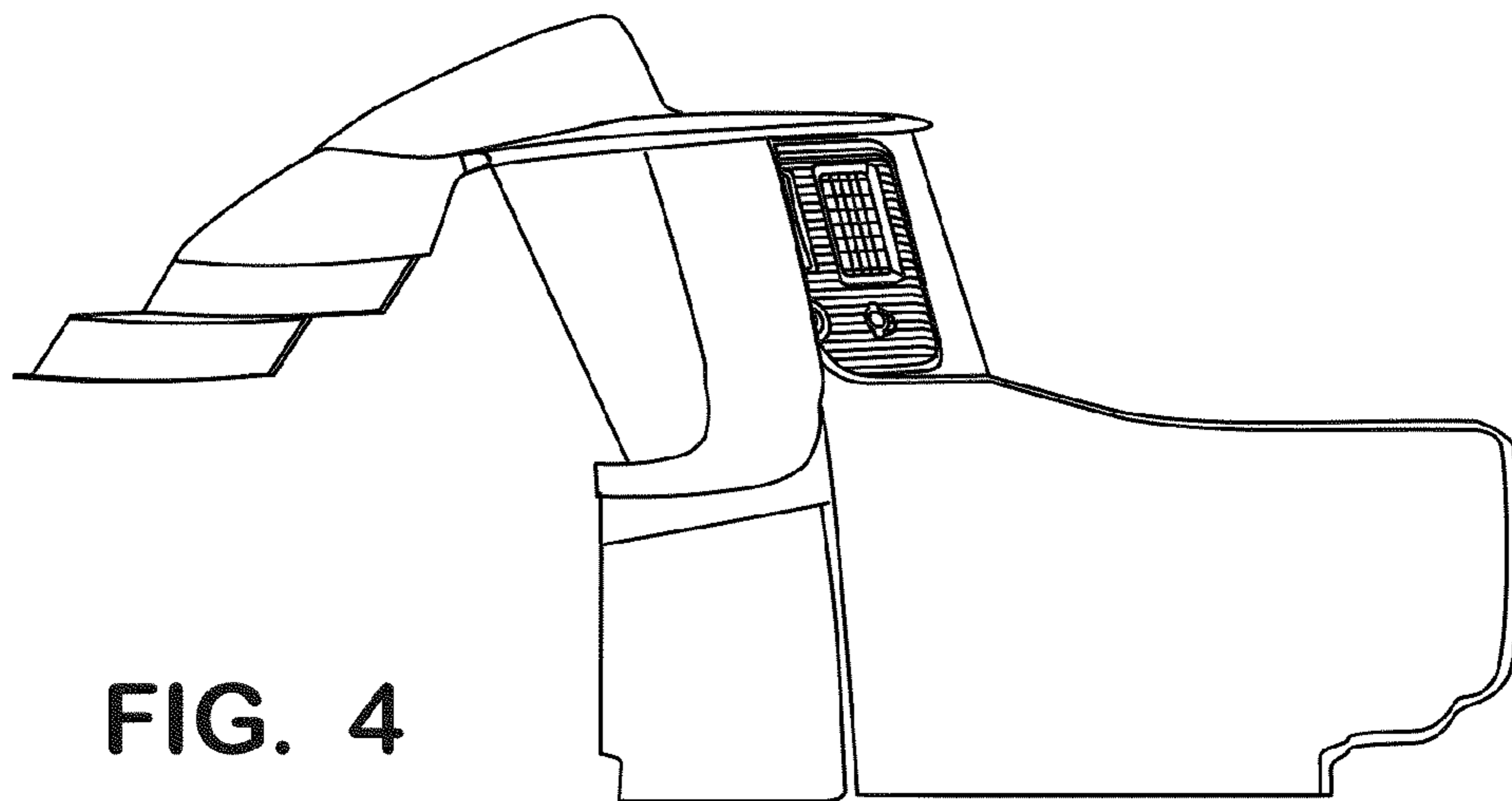


FIG. 4

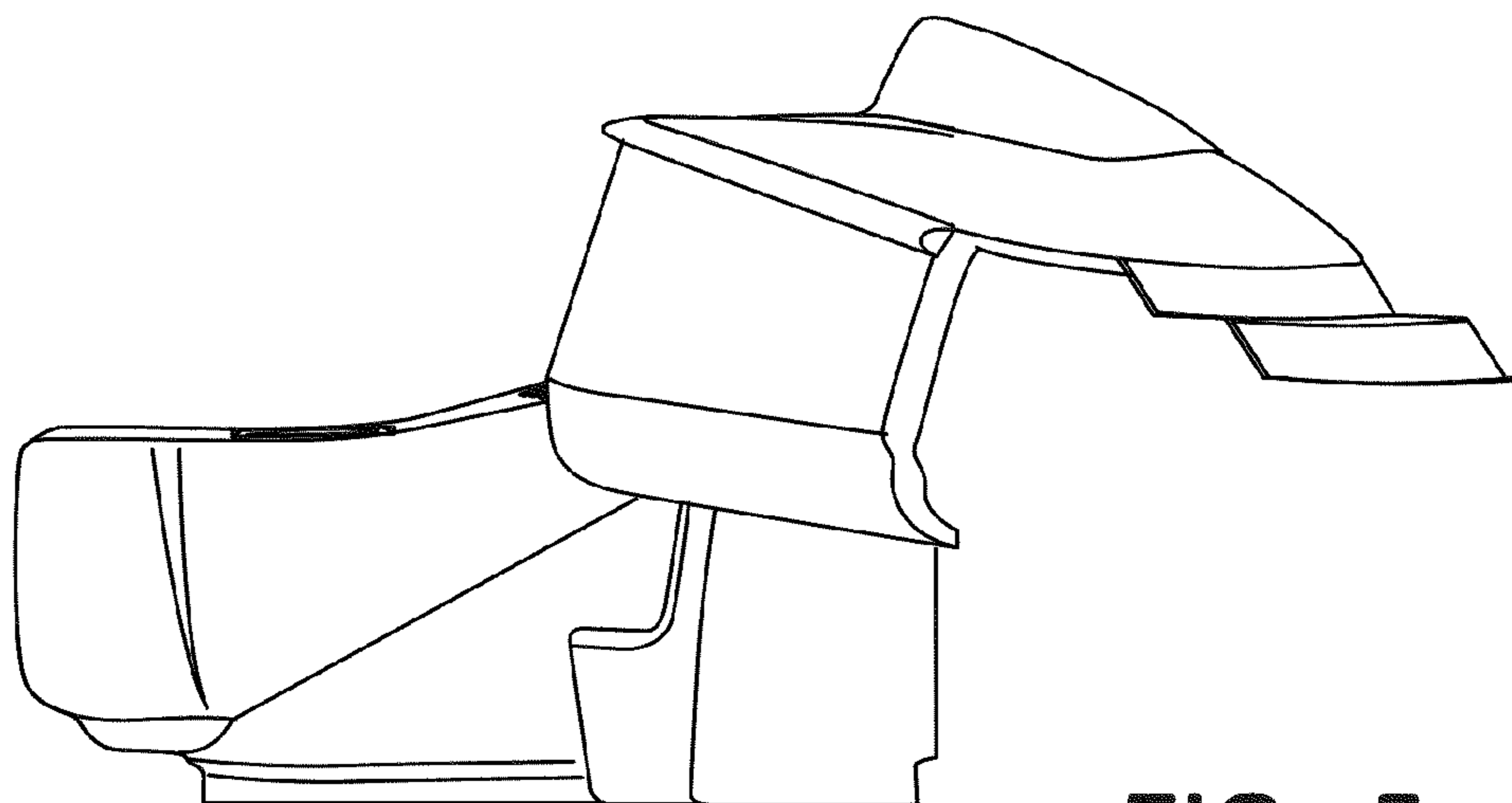


FIG. 5