



US00D654836S

(12) **United States Design Patent**
Rao

(10) **Patent No.:** **US D654,836 S**

(45) **Date of Patent:** **** Feb. 28, 2012**

(54) **CUSTOM TRUCK BUMPER**

(75) Inventor: **Charles Rao**, Santa Barbara, CA (US)

(73) Assignee: **Charles Rao, Jr.**, Santa Barbara, CA (US)

(**) Term: **14 Years**

(21) Appl. No.: **29/375,640**

(22) Filed: **Sep. 24, 2010**

(51) **LOC (9) Cl.** **12-16**

(52) **U.S. Cl.** **D12/169**

(58) **Field of Classification Search** D12/169,
D12/196, 171, 216, 163, 86, 90-92; 293/102,
293/113, 115, 117, 120; 296/180.1, 180.2
See application file for complete search history.

(56) **References Cited**

U.S. PATENT DOCUMENTS

D592,571 S *	5/2009	Golden et al.	D12/169
D617,693 S *	6/2010	Klobe	D12/163
D628,944 S *	12/2010	Lee	D12/169
D630,981 S *	1/2011	Rao	D12/169
D644,576 S *	9/2011	Messale	D12/169

OTHER PUBLICATIONS

Gallery—67-72chevytrucks.com downloaded Oct. 6, 2010 from <http://67-72chevytrucks.com/gallery/>.

Chevrolet C/K downloaded Oct. 6, 2010 from http://en.wikipedia.org/wiki/Chevrolet_C/K#1967.E2.80.931972.

* cited by examiner

Primary Examiner — Melody N Brown

(74) *Attorney, Agent, or Firm* — Felix L. Fischer

(57) **CLAIM**

The ornamental design for a custom truck bumper, as shown and described.

DESCRIPTION

FIG. 1 is a top right perspective view of a bumper according to the present design;

FIG. 2 is a top left perspective view of a bumper according to the present design;

FIG. 3 is a front view of the bumper of FIG. 1;

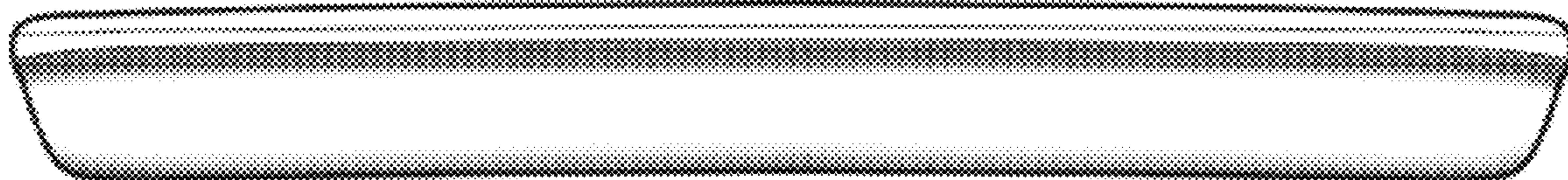
FIG. 4 is a rear view of the bumper of FIG. 1;

FIG. 5 is a right side view of the bumper of FIG. 1, the right and left side views being symmetrical; and

FIG. 6 is bottom view of the bumper of FIG. 1; and,

FIG. 7 is a top view of the bumper of FIG. 1.

1 Claim, 7 Drawing Sheets



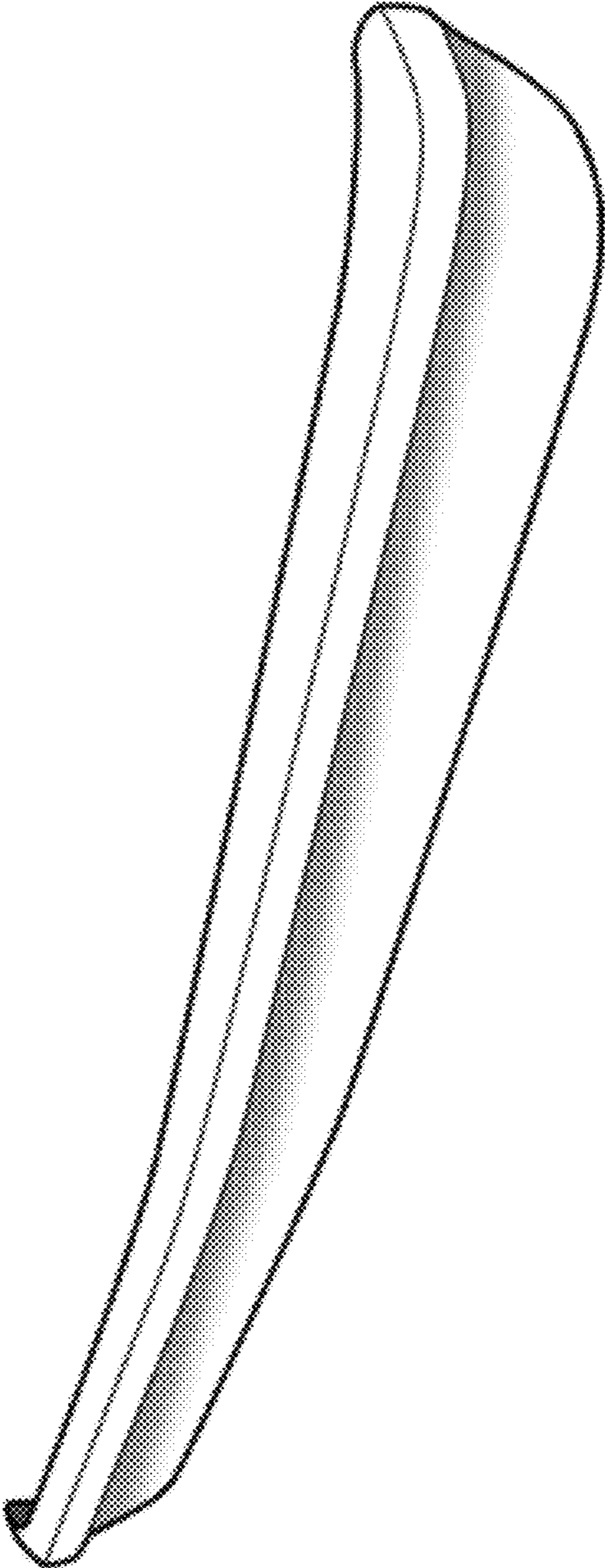


FIG. 1

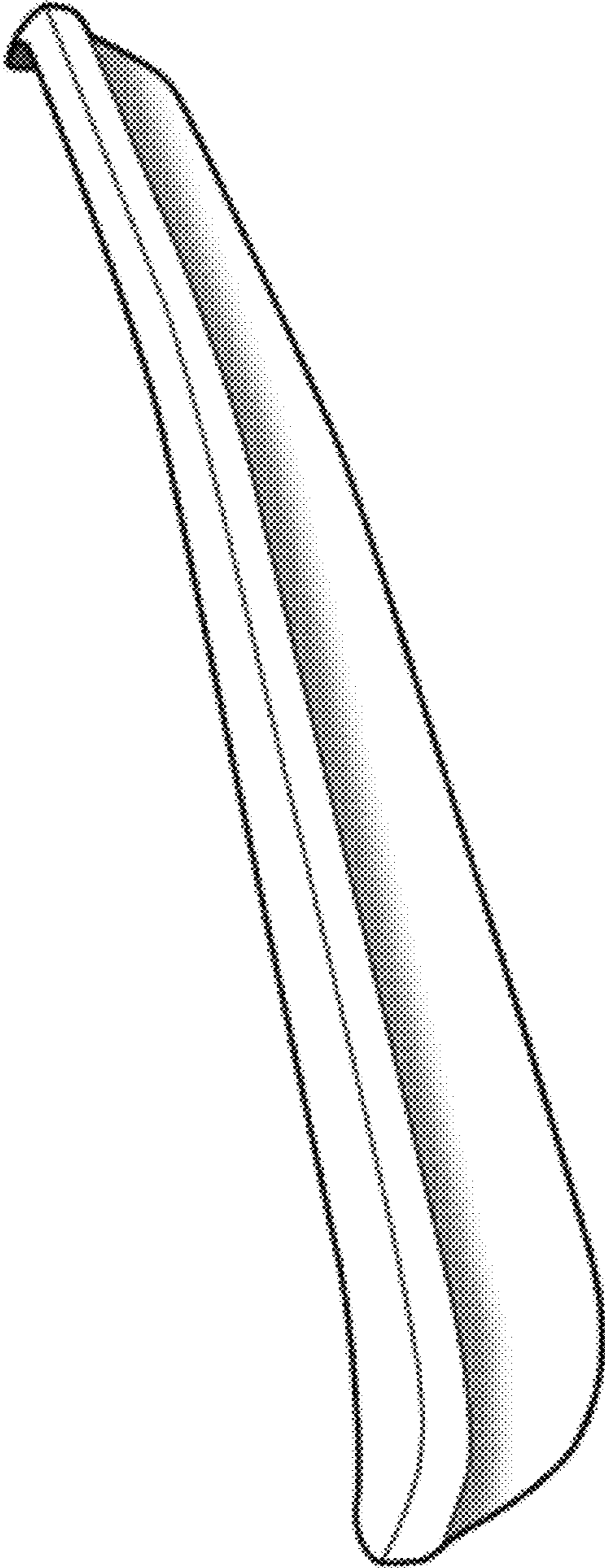


FIG. 2

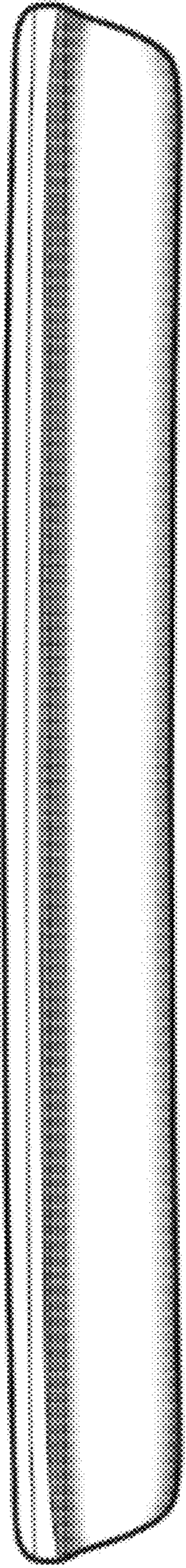


FIG. 3

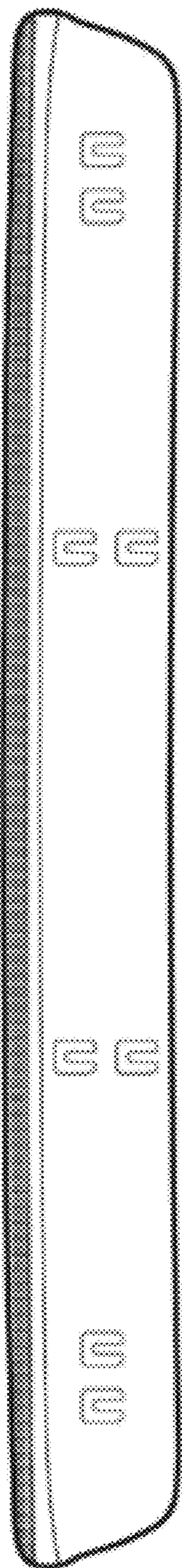


FIG. 4

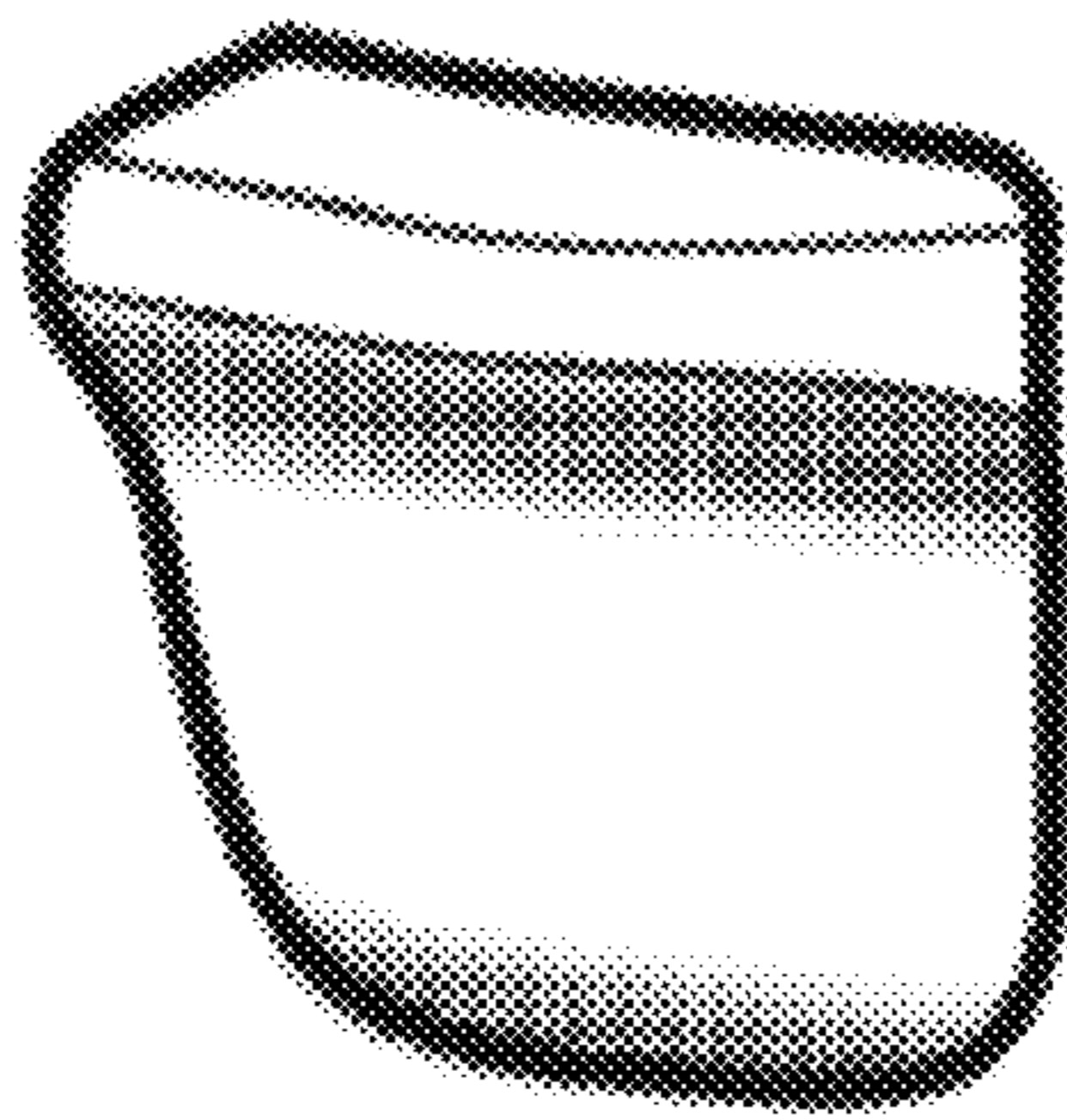


FIG. 5



FIG. 6

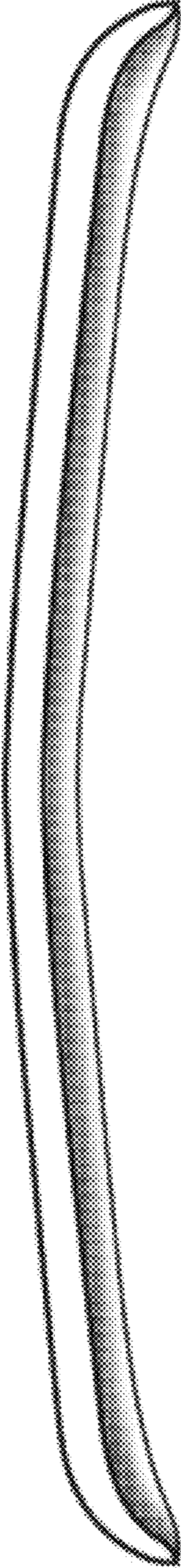


FIG. 7