



US00D654833S

(12) **United States Design Patent**
Pettersson et al.

(10) **Patent No.:** **US D654,833 S**
(45) **Date of Patent:** **** Feb. 28, 2012**

(54) **WALKING AID**

(75) Inventors: **Sofia Pettersson**, Halmstad (SE);
Aurélie Lauret, Villandry (FR)

(73) Assignee: **Invacare International SARL**, Gland
(CH)

(**) Term: **14 Years**

(21) Appl. No.: **29/361,256**

(22) Filed: **May 7, 2010**

(30) **Foreign Application Priority Data**

Nov. 10, 2009 (WO) 520751801

(51) **LOC (9) Cl.** **12-12**

(52) **U.S. Cl.** **D12/133**

(58) **Field of Classification Search** D12/128-133,
D12/16, 85; 267/5; 135/65-67, 74, 912;
280/259, 642, 658, 87.021; 297/DIG. 4;
296/65.03, 65.04; 224/409; D6/364; D34/15;
180/65, 65.1, 65.6, 65.8, 208, 907, 906; 138/66
See application file for complete search history.

(56) **References Cited**

U.S. PATENT DOCUMENTS

6,743,156 B1 * 6/2004 Jacques et al. 482/68
D518,894 S * 4/2006 Kirn D24/184
7,111,856 B1 * 9/2006 Graham 280/87.021

D535,030 S * 1/2007 Brefka et al. D24/184
D567,720 S * 4/2008 Graham D12/128
7,866,677 B1 * 1/2011 Rothstein et al. 280/47.34
D633,620 S * 3/2011 Avett et al. D24/183
7,992,584 B1 * 8/2011 Birnbaum 135/67
2003/0178053 A1 * 9/2003 Wilensky et al. 135/67
2010/0301574 A1 * 12/2010 Derks et al. 280/47.4

* cited by examiner

Primary Examiner — Celia A. Murphy

Assistant Examiner — John Windmuller

(74) *Attorney, Agent, or Firm* — Calfee, Halter & Griswold
LLP

(57) **CLAIM**

The ornamental design for a walking aid, as shown and described.

DESCRIPTION

FIG. 1 is a perspective view of a walking aid of the new design;

FIG. 2 is a front elevational view of the walking aid of FIG. 1;

FIG. 3 is a rear elevational view of the walking aid of FIG. 1;

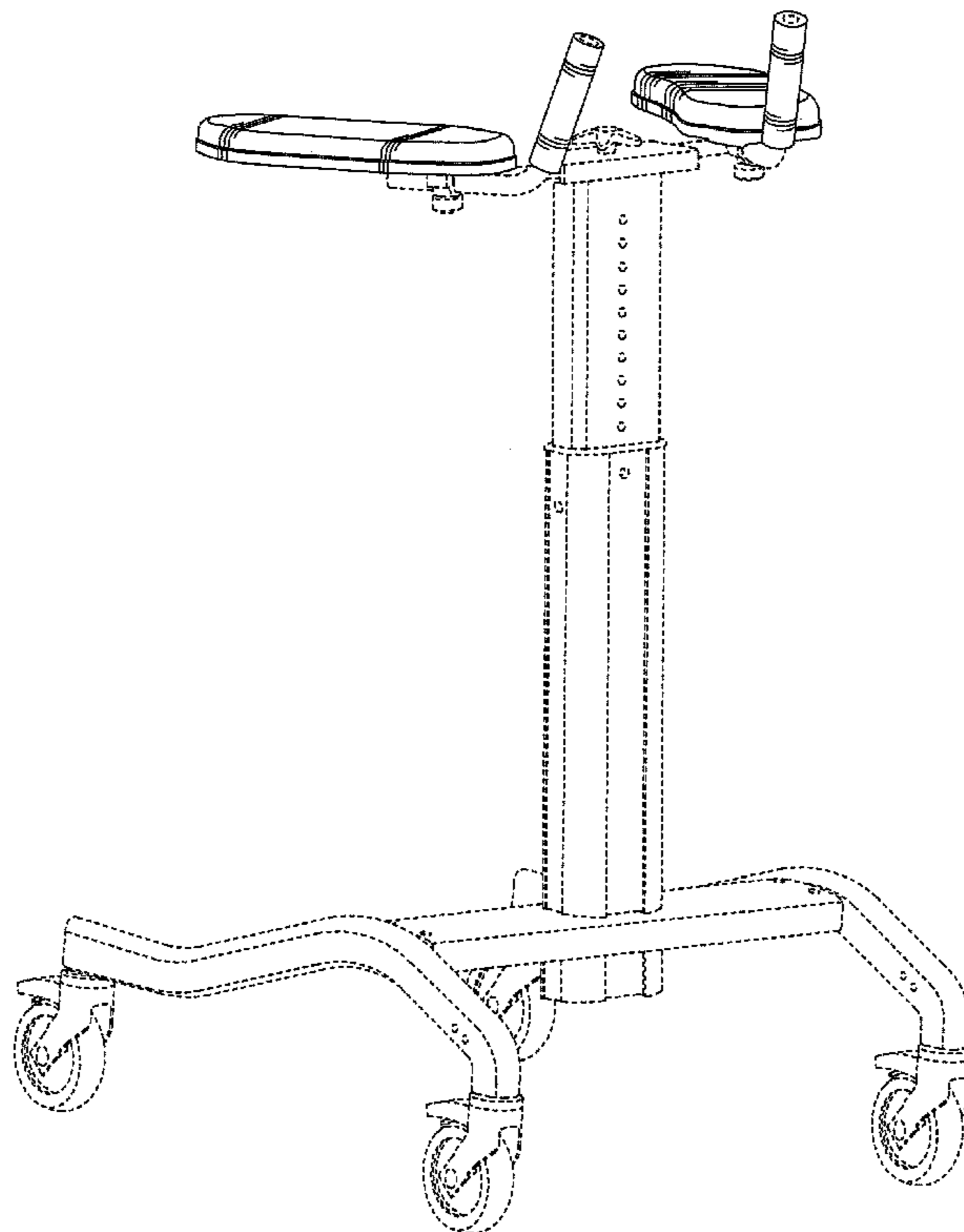
FIG. 4 is a right side elevational view of the walking aid of FIG. 1;

FIG. 5 is a left side elevational view of the walking aid of FIG. 1; and,

FIG. 6 is a top plan view of the walking aid of FIG. 1.

The portions of the Figures shown in broken lines are not part of the claimed design and are for illustration only.

1 Claim, 6 Drawing Sheets



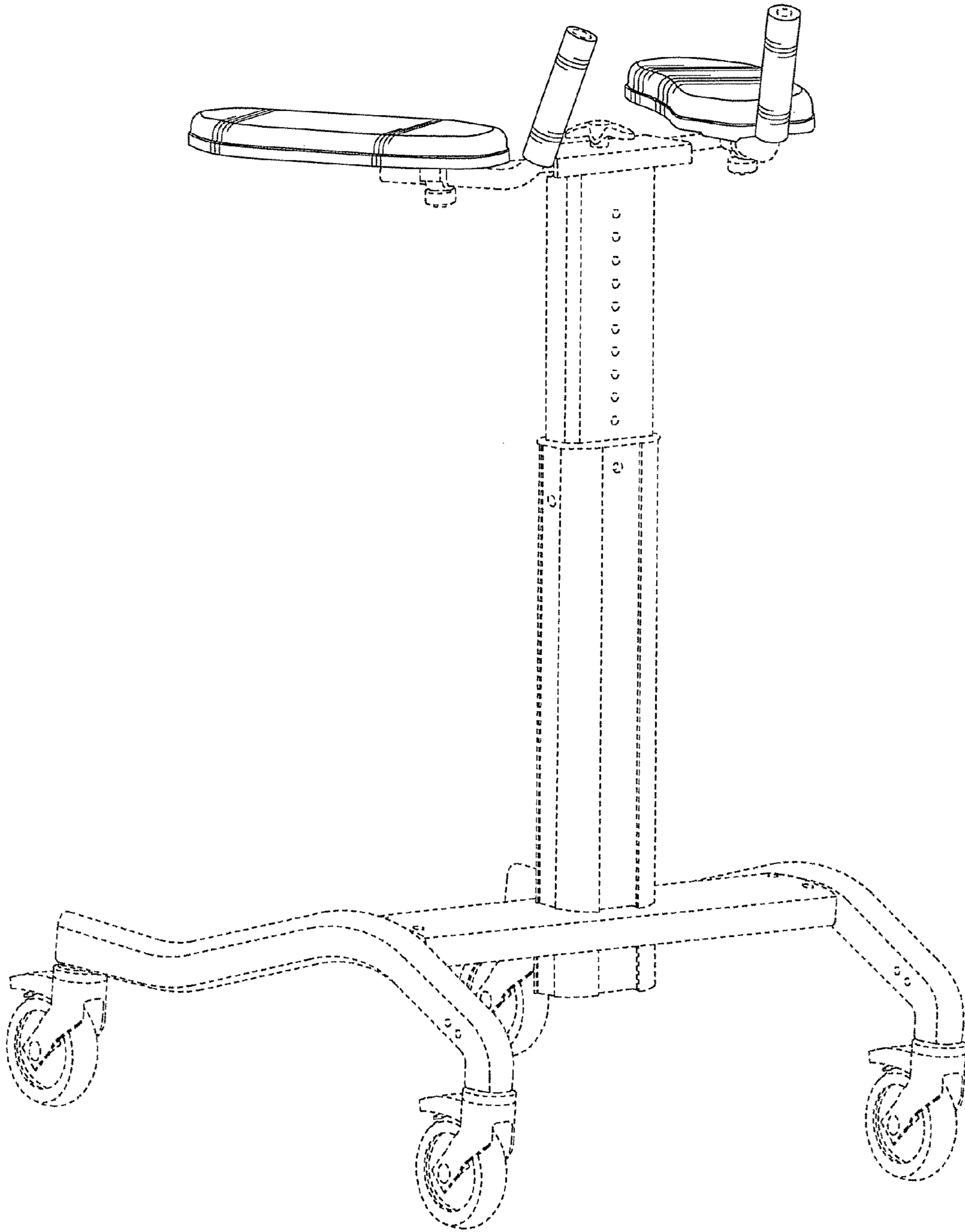


FIG. 1

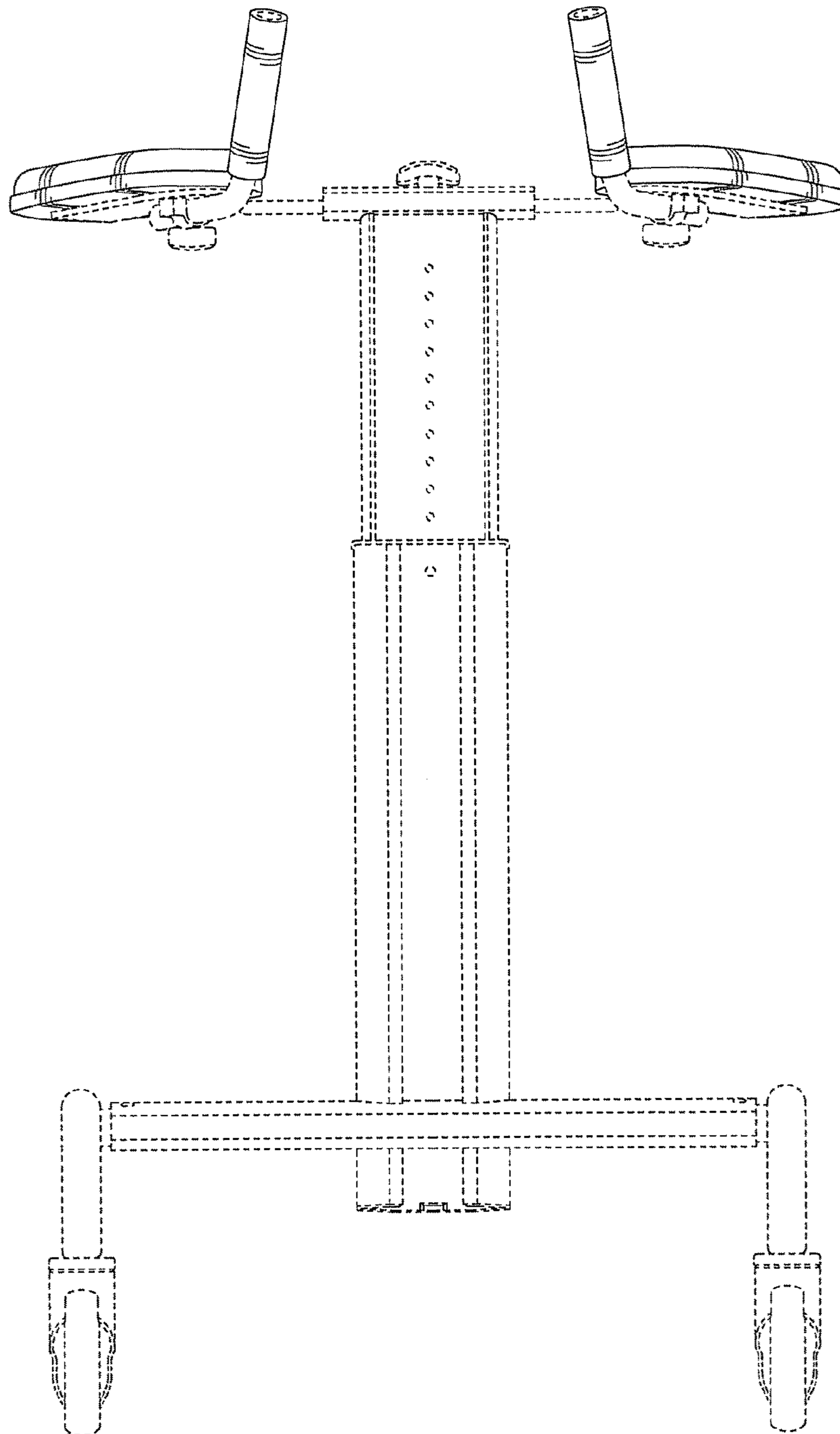


FIG. 2

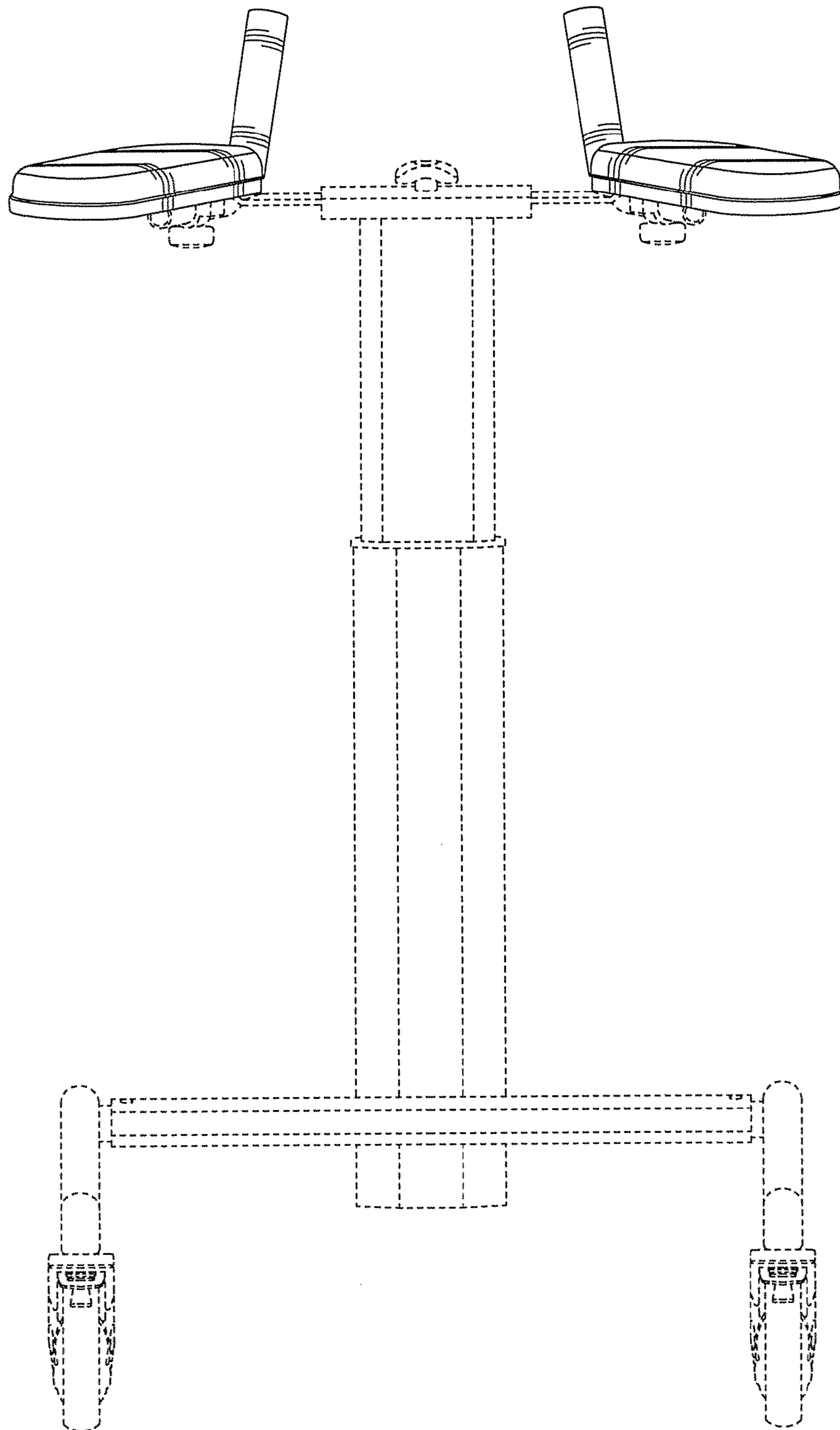


FIG. 3

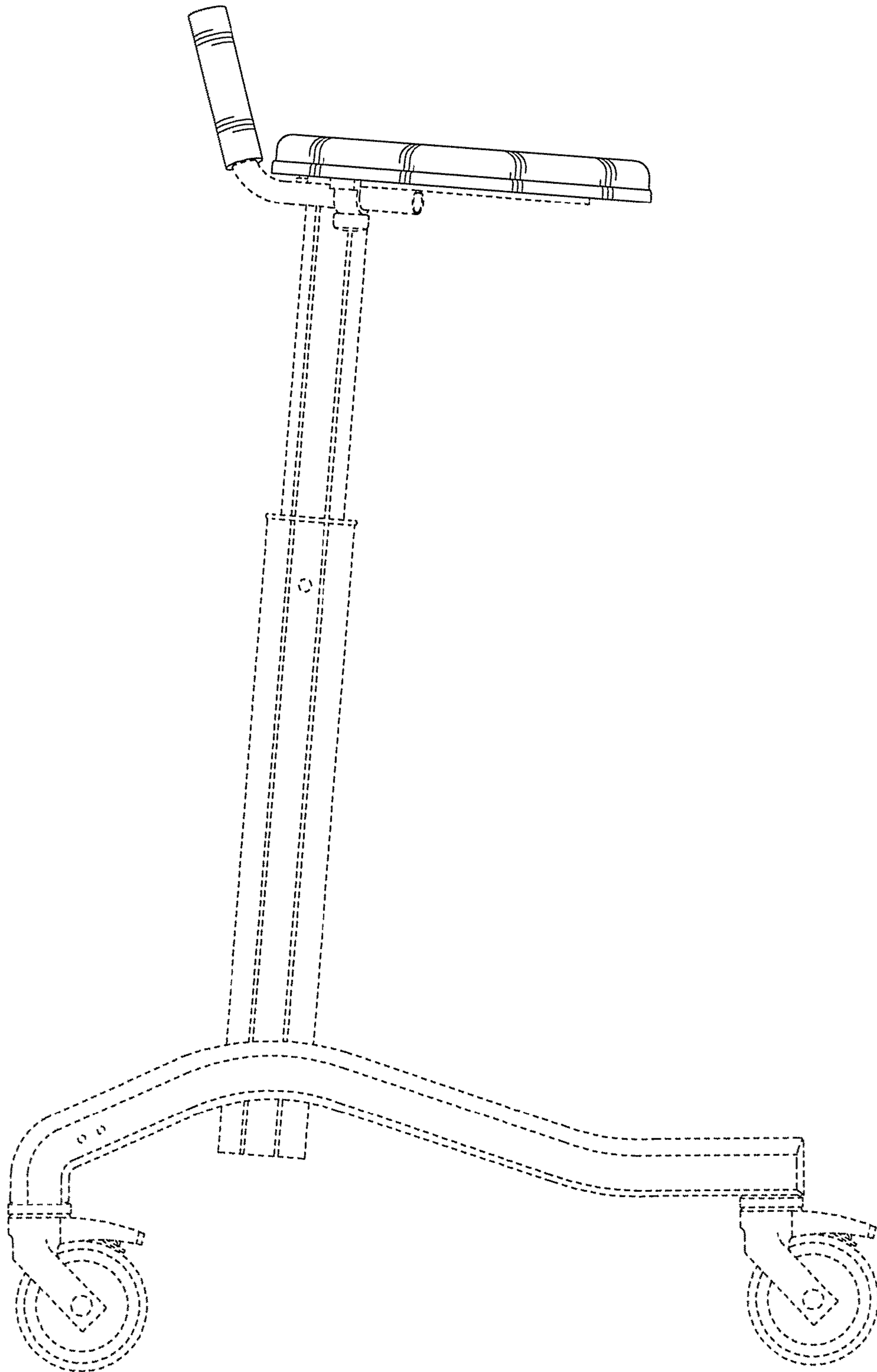


FIG. 4

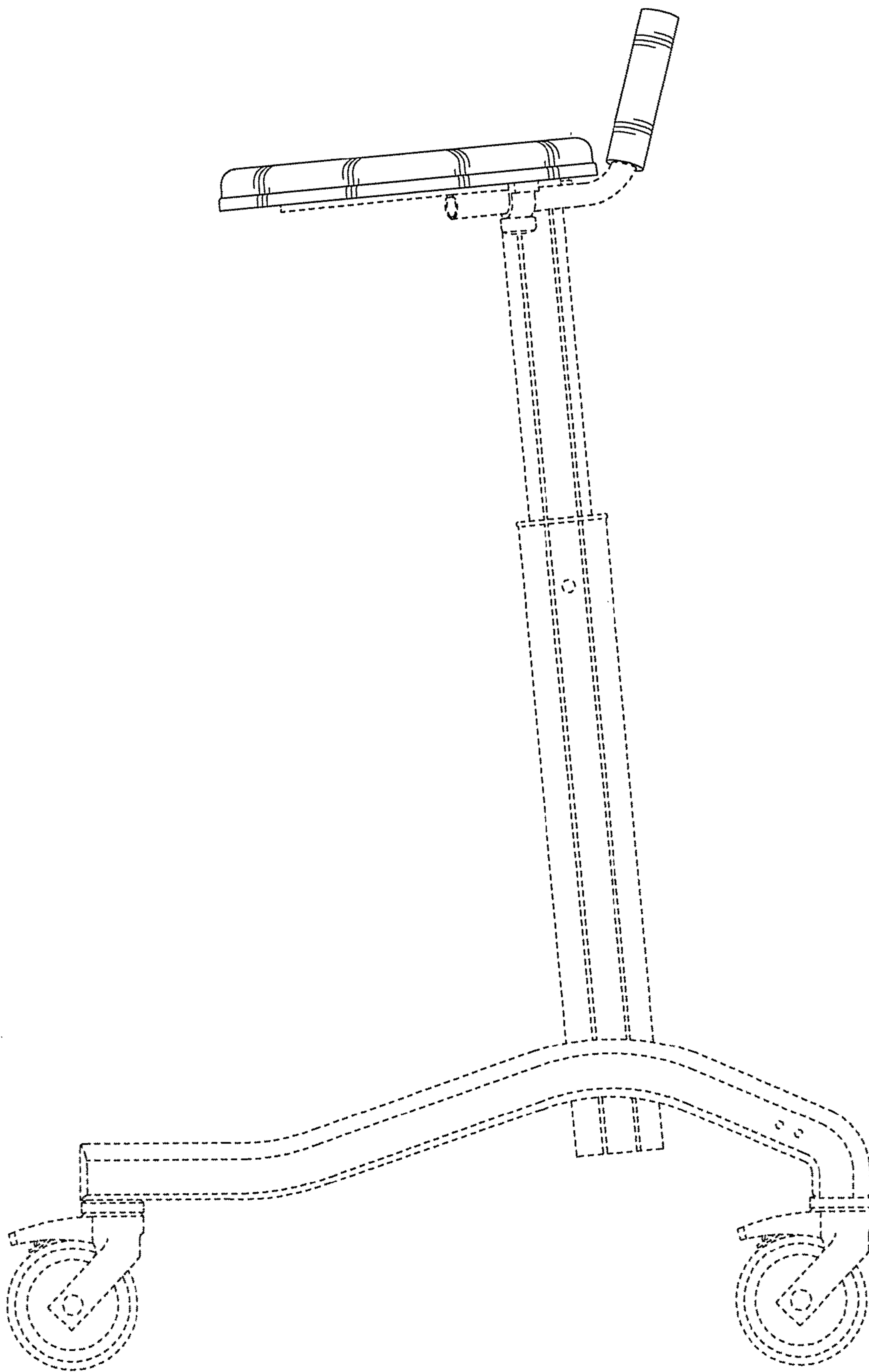


FIG. 5

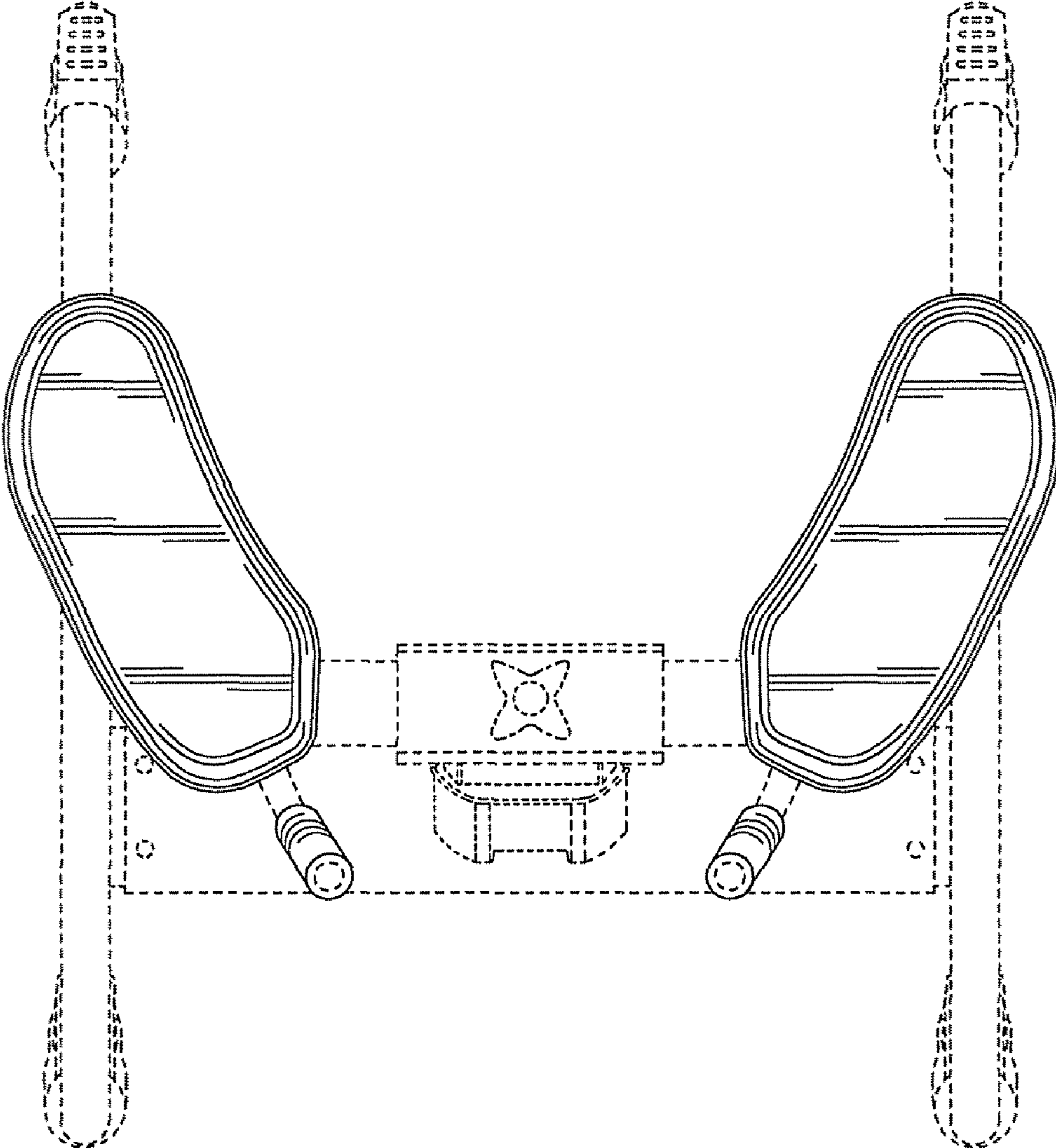


FIG. 6