



US00D654832S

(12) **United States Design Patent**
Pettersson et al.

(10) **Patent No.:** **US D654,832 S**
(45) **Date of Patent:** **** Feb. 28, 2012**

(54) **WALKING AID**

(75) Inventors: **Sofia Pettersson**, Halmstad (SE);
Aurélie Lauret, Villandry (FR)

(73) Assignee: **Invacare International SARL**, Gland
(CH)

(**) Term: **14 Years**

(21) Appl. No.: **29/361,254**

(22) Filed: **May 7, 2010**

(30) **Foreign Application Priority Data**

Nov. 10, 2009 (WO) 520751801

(51) **LOC (9) Cl.** **12-12**

(52) **U.S. Cl.** **D12/133**

(58) **Field of Classification Search** D12/128-133,
D12/16, 85; 267/5; 135/65-67, 74, 912;
280/259, 642, 658, 87.021; 297/DIG. 4;
296/65.03, 65.04; 224/409; D6/364; D34/15;
180/65, 65.1, 65.6, 65.8, 208, 907, 906; 138/66
See application file for complete search history.

(56) **References Cited**

U.S. PATENT DOCUMENTS

D415,075	S *	10/1999	Lan	D12/133
6,247,717	B1 *	6/2001	Lovins et al.	280/250.1
D451,851	S *	12/2001	Dickie et al.	D12/133
6,688,633	B2 *	2/2004	van't Schip	280/642
D493,977	S *	8/2004	Rossini et al.	D6/426
D501,432	S *	2/2005	Møller	D12/130
D519,423	S *	4/2006	Tolfsen	D12/130

D529,844	S *	10/2006	Chen et al.	D12/129
D561,065	S *	2/2008	Kindberg et al.	D12/130
D588,051	S *	3/2009	Moller et al.	D12/133
D589,411	S *	3/2009	Brown et al.	D12/133
D609,138	S *	2/2010	Skafdrup et al.	D12/133
7,743,779	B2 *	6/2010	Gee, Sr.	135/67
7,988,163	B2 *	8/2011	Accetta	280/87.05
7,992,584	B1 *	8/2011	Birnbaum	135/67
8,020,815	B2 *	9/2011	Cox	248/121
2007/0023073	A1 *	2/2007	Su	135/67
2008/0284125	A1 *	11/2008	Ramm et al.	280/263

* cited by examiner

Primary Examiner — Celia A. Murphy

Assistant Examiner — John Windmuller

(74) *Attorney, Agent, or Firm* — Calfee, Halter & Griswold
LLP

(57) **CLAIM**

The ornamental design for a walking aid, as shown and described.

DESCRIPTION

FIG. 1 is a perspective view of a walking aid of the new design;

FIG. 2 is a front elevational view of the walking aid of FIG. 1;

FIG. 3 is a rear elevational view of the walking aid of FIG. 1;

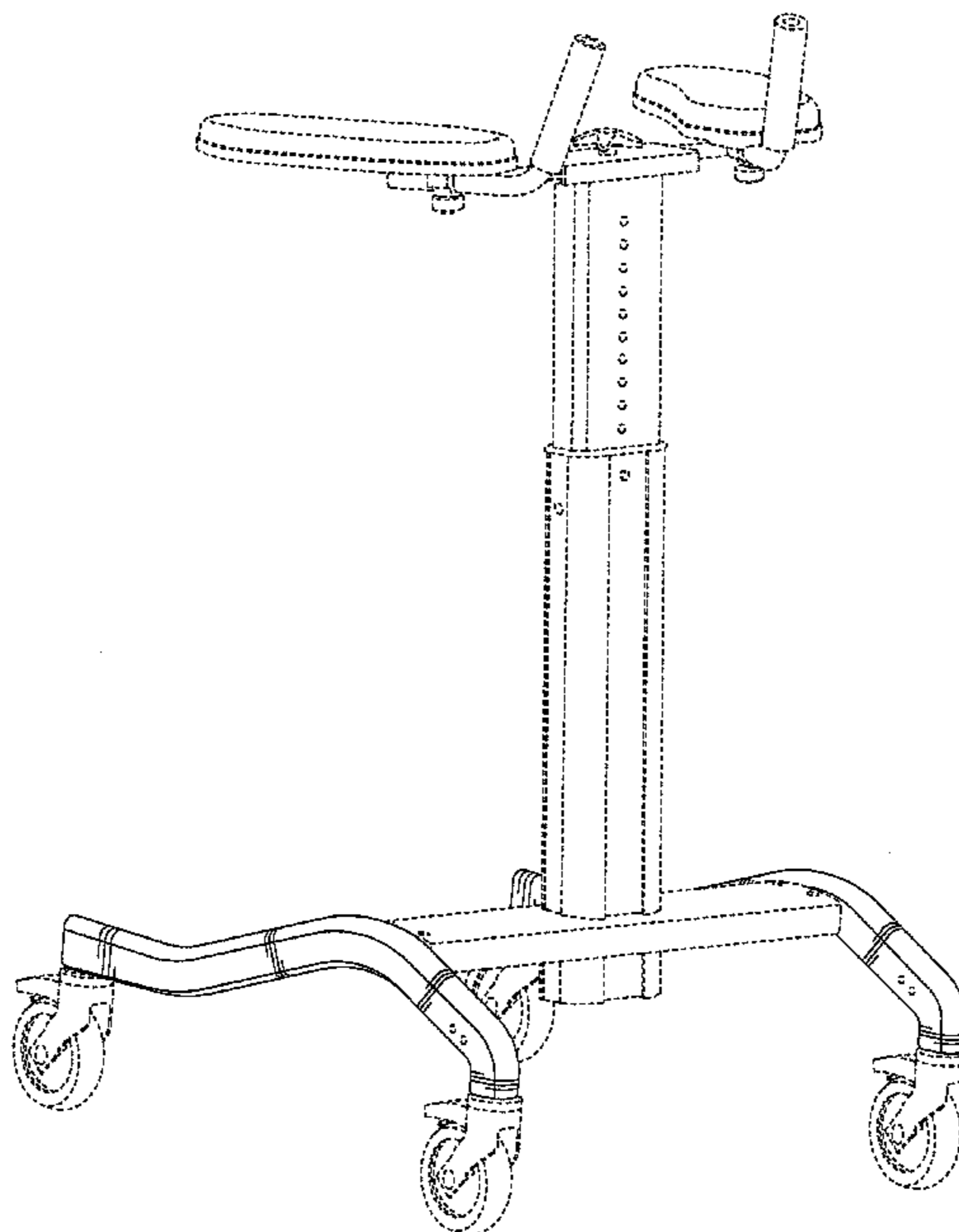
FIG. 4 is a right side elevational view of the walking aid of FIG. 1;

FIG. 5 is a left side elevational view of the walking aid of FIG. 1; and,

FIG. 6 is a top plan view of the walking aid of FIG. 1.

The portions of the Figures shown in broken lines are not part of the claimed design and are for illustration only.

1 Claim, 6 Drawing Sheets



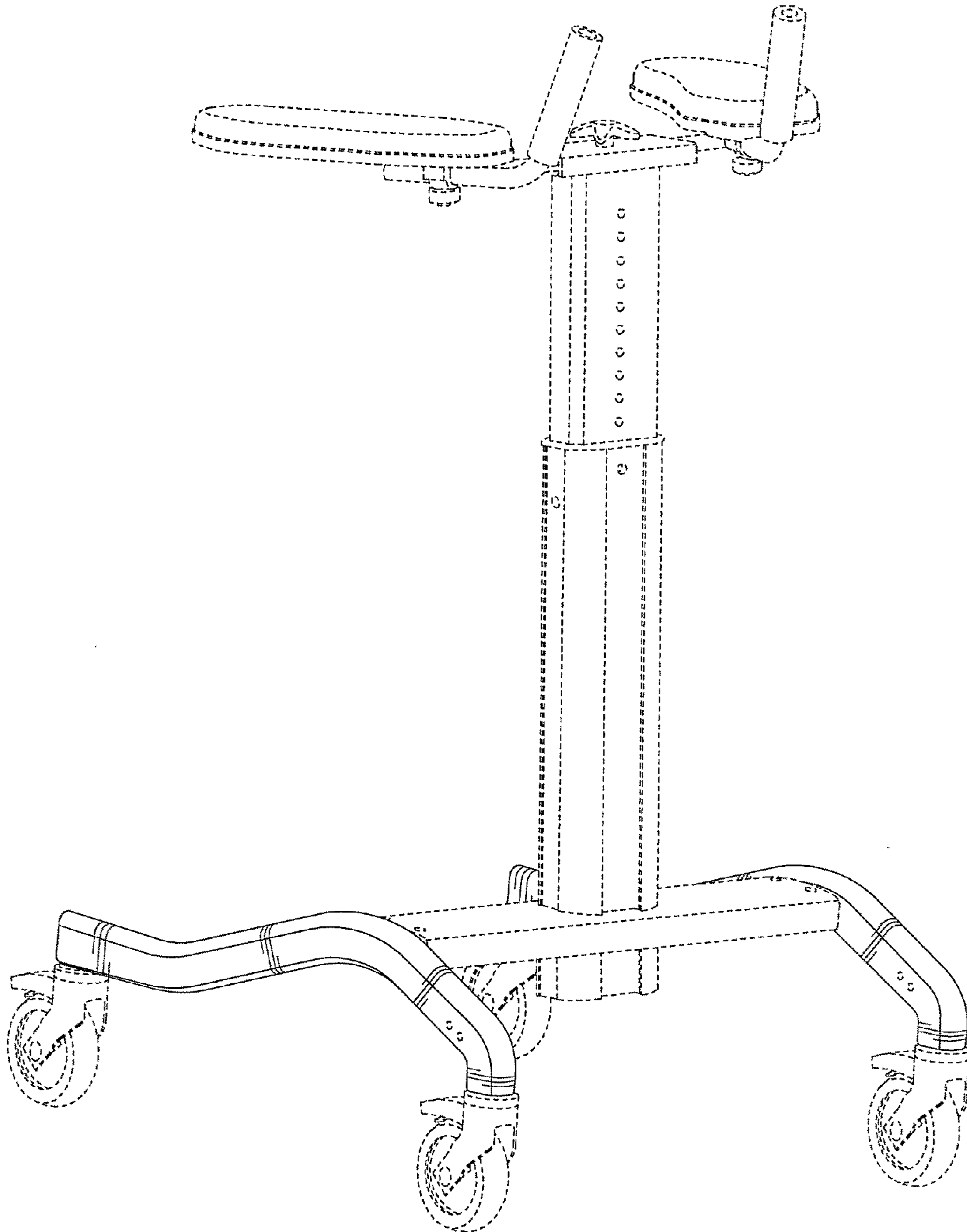


FIG. 1

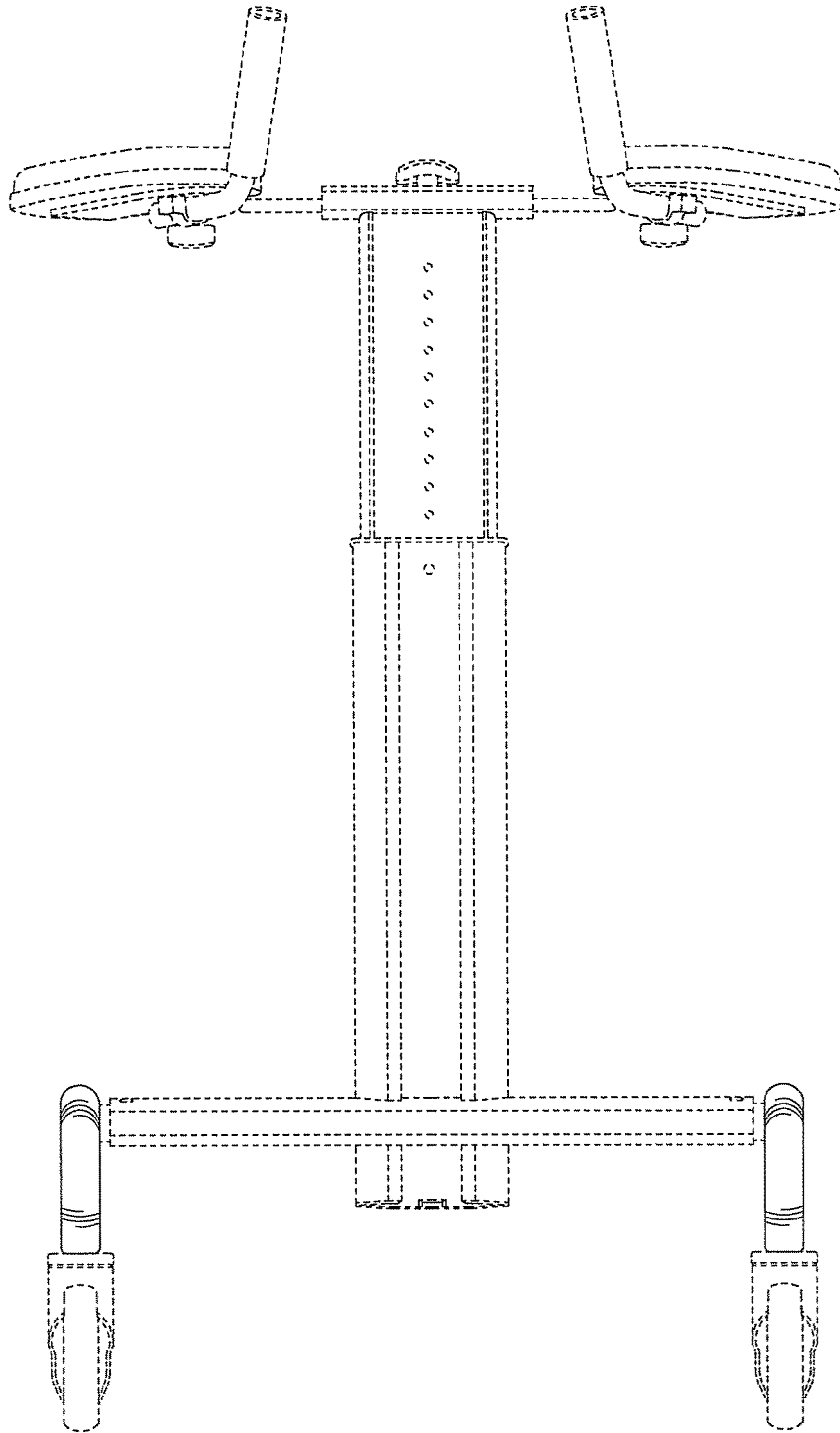


FIG. 2

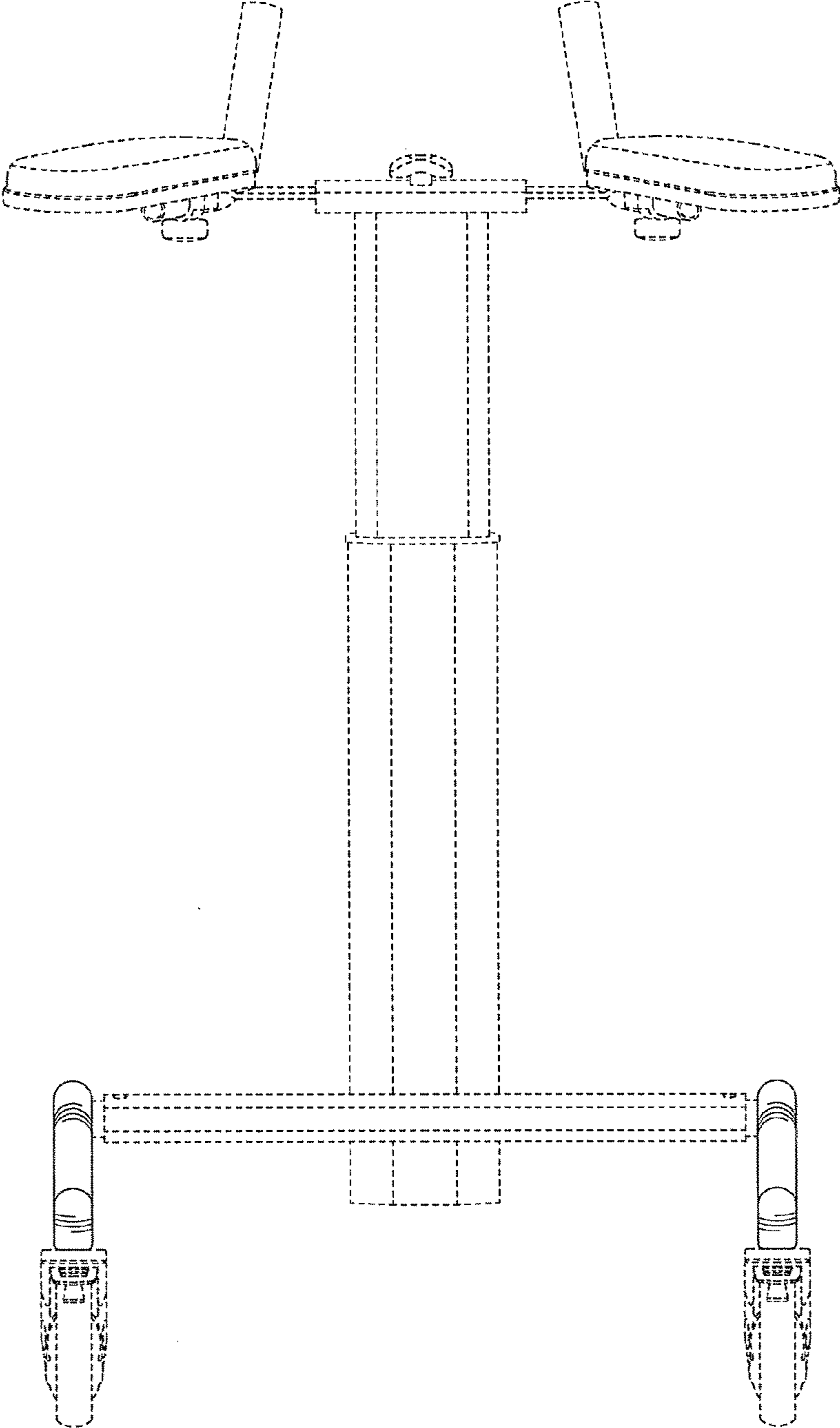


FIG. 3

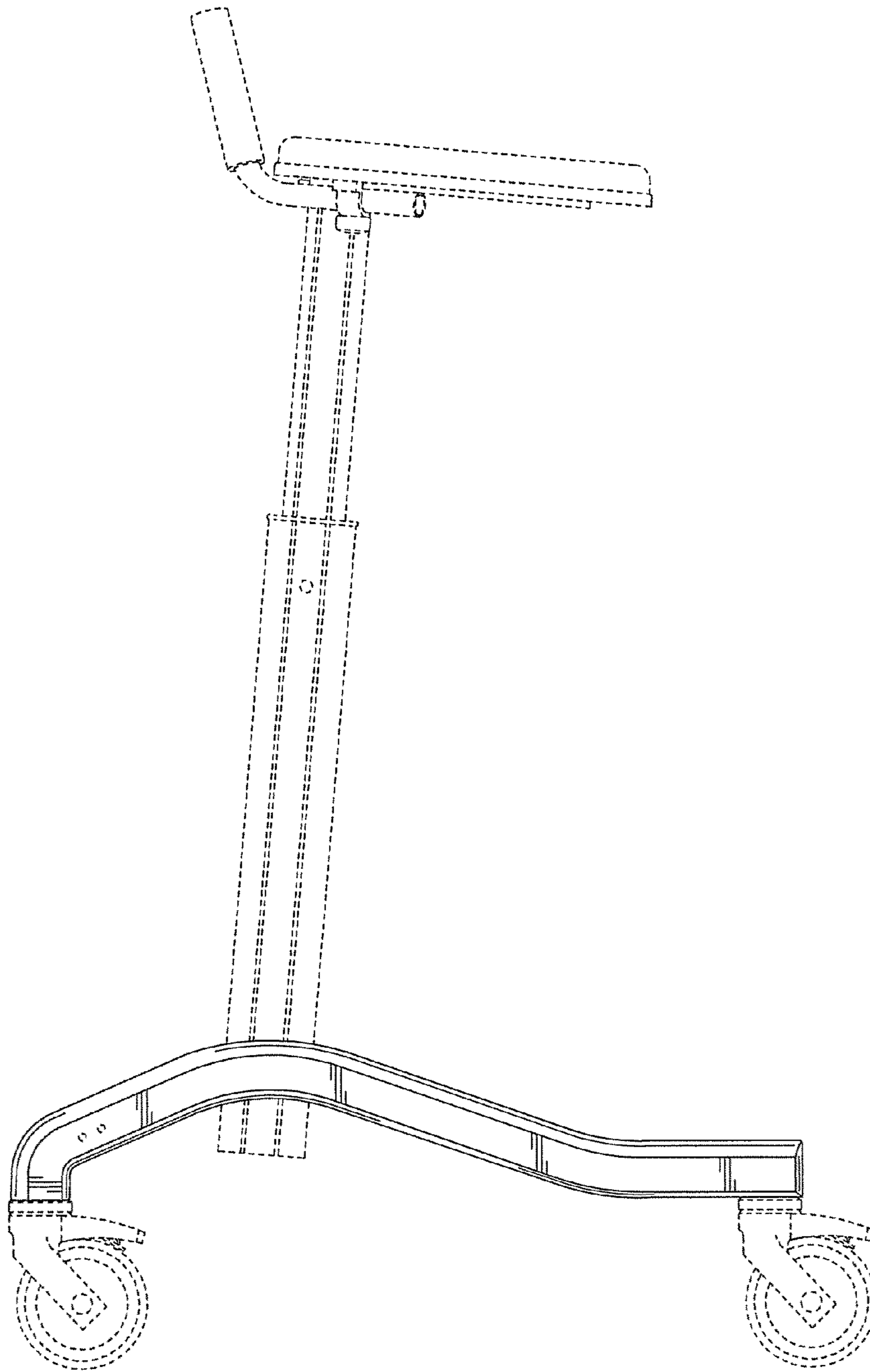


FIG. 4

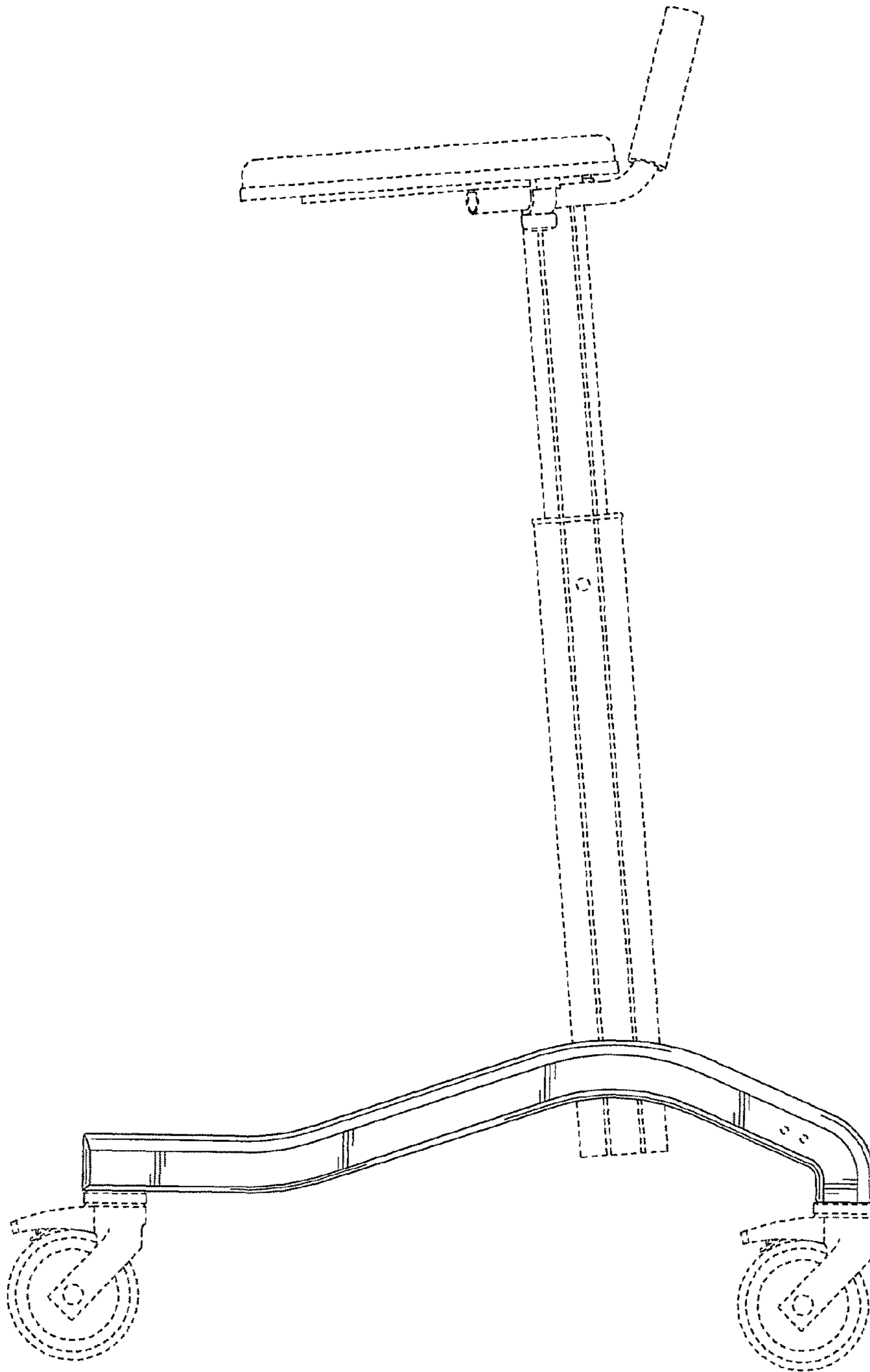


FIG. 5

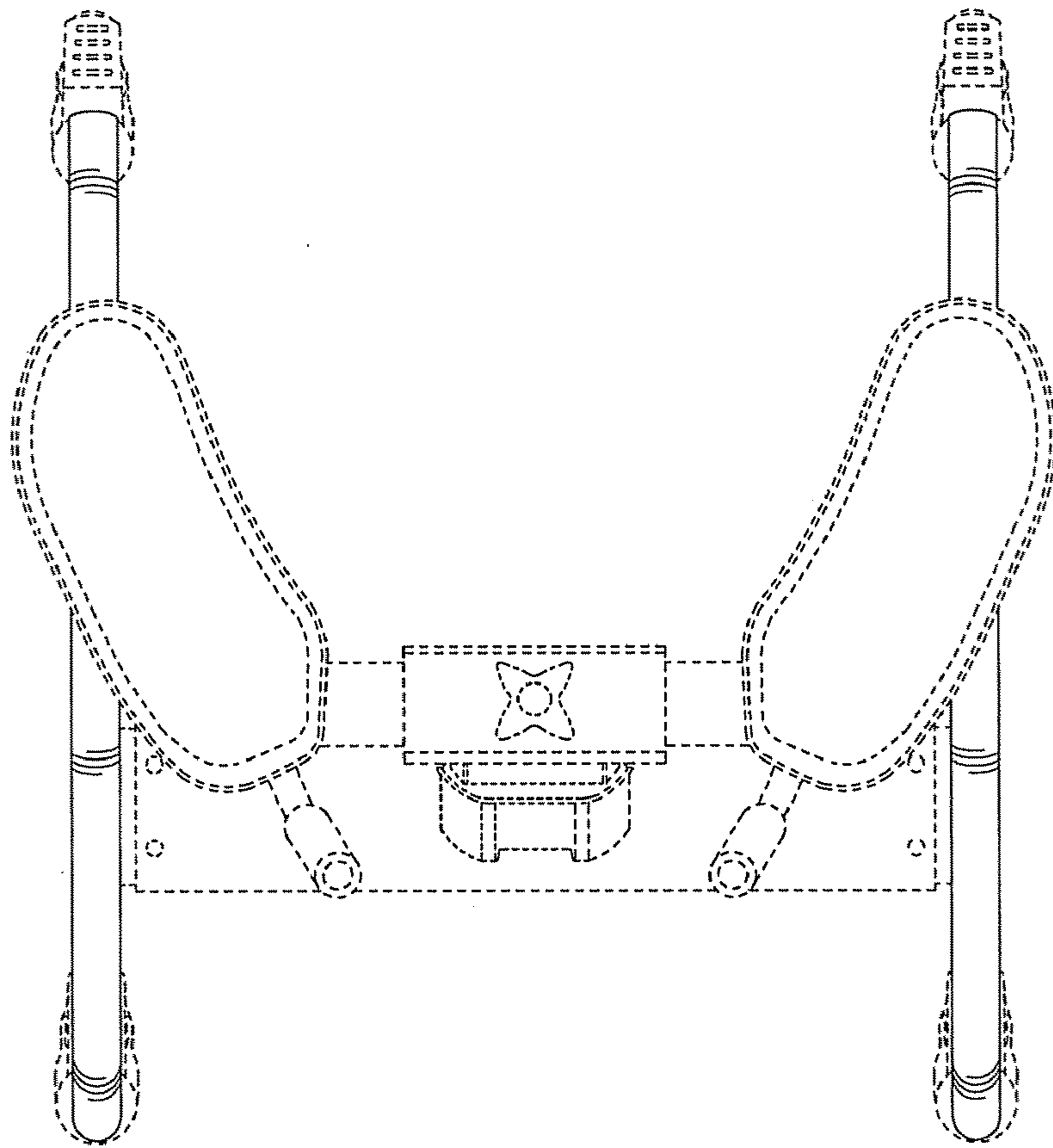


FIG. 6