

US00D654831S

(12) **United States Design Patent**  
**Pedretti et al.**

(10) **Patent No.:** **US D654,831 S**  
(45) **Date of Patent:** **\*\* Feb. 28, 2012**

(54) **PUSHCHAIR**

(56) **References Cited**

(75) Inventors: **Luciano Pedretti**, Como (IT); **Bastiaan Van Asch**, Como (IT)

U.S. PATENT DOCUMENTS

6,513,827	B1 *	2/2003	Barenbrug	.....	280/648
D572,175	S *	7/2008	Lai	.....	D12/129
D585,336	S *	1/2009	van Buul et al.	.....	D12/129
D616,339	S *	5/2010	Kho et al.	.....	D12/129
7,753,398	B2 *	7/2010	Yang	.....	280/642

(73) Assignee: **Artsana S.p.A.**, Grandate (CO) (IT)

\* cited by examiner

(\*\*) Term: **14 Years**

*Primary Examiner* — Ian Simmons

(21) Appl. No.: **29/384,086**

*Assistant Examiner* — Charles Hanson

(22) Filed: **Jan. 26, 2011**

(74) *Attorney, Agent, or Firm* — King & Schickli, PLLC

(30) **Foreign Application Priority Data**

(57) **CLAIM**

We claim the ornamental design of a pushchair, as shown and described.

Jul. 28, 2010 (EM) ..... 001737008

**DESCRIPTION**

(51) **LOC (9) Cl.** ..... **12-12**

FIG. 1 shows a perspective view of the pushchair;

(52) **U.S. Cl.** ..... **D12/129**

FIG. 2 shows a front view thereof;

(58) **Field of Classification Search** ..... D12/128-133;

FIG. 3 shows a left side view thereof;

297/DIG. 4; 296/65.03, 64.04; 224/409;

FIG. 4 shows a rear view thereof;

280/62, 647-650, 29, 200, 47.38, 250.1,

FIG. 5 shows a right side view thereof;

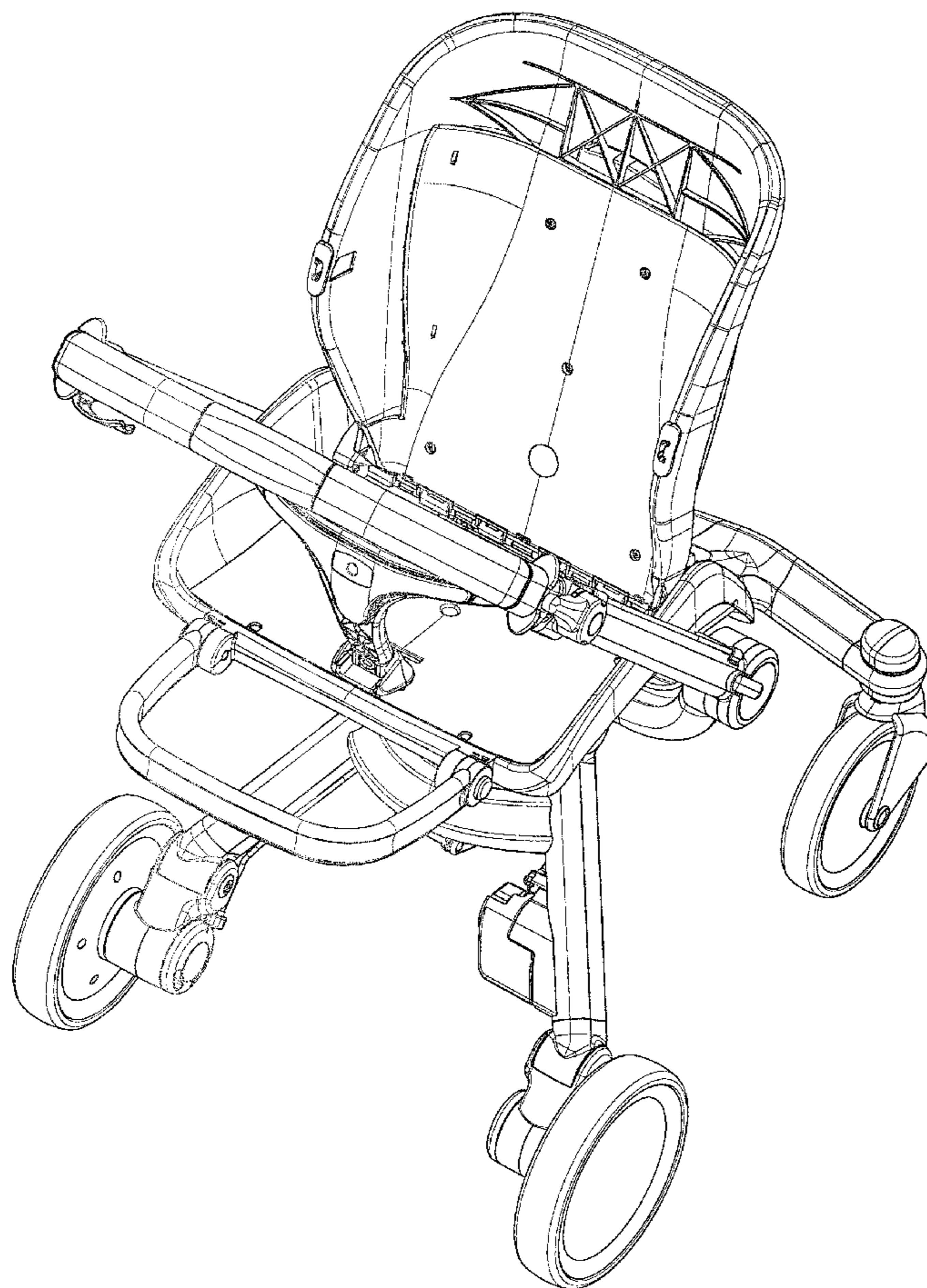
280/259, 642, 658

FIG. 6 shows a top view thereof; and,

FIG. 7 shows a bottom view thereof.

See application file for complete search history.

**1 Claim, 7 Drawing Sheets**



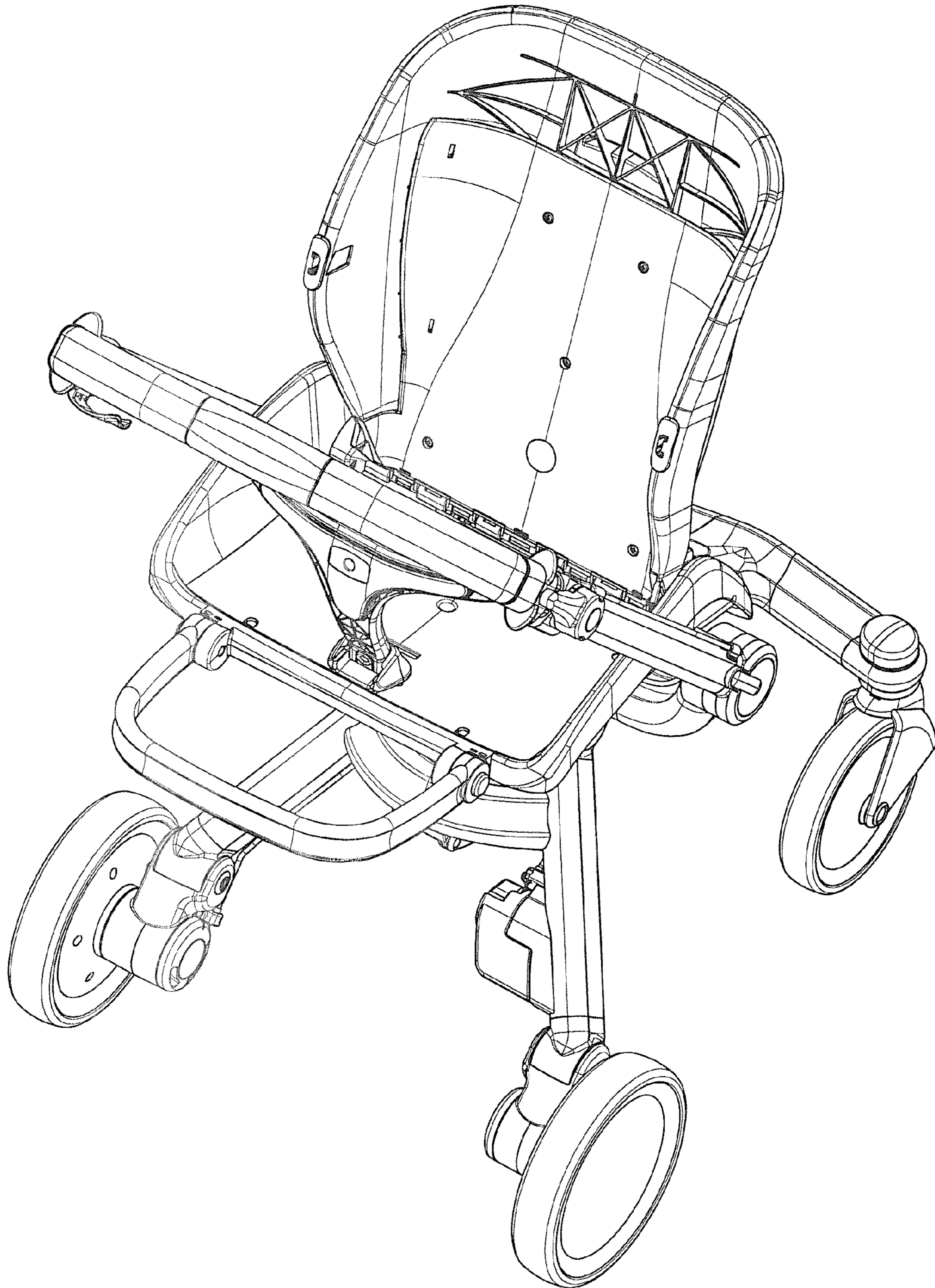


FIG. 1

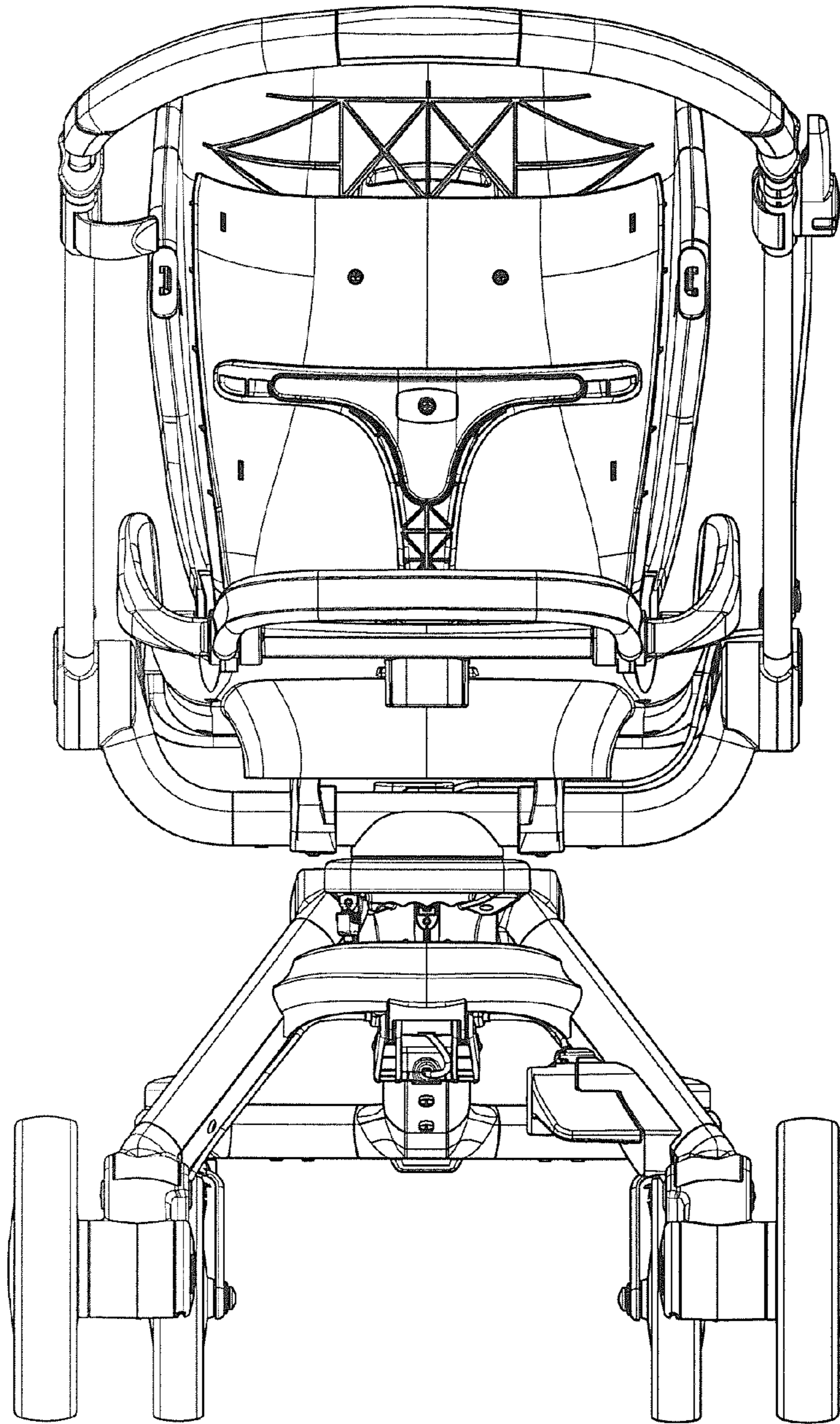


FIG. 2

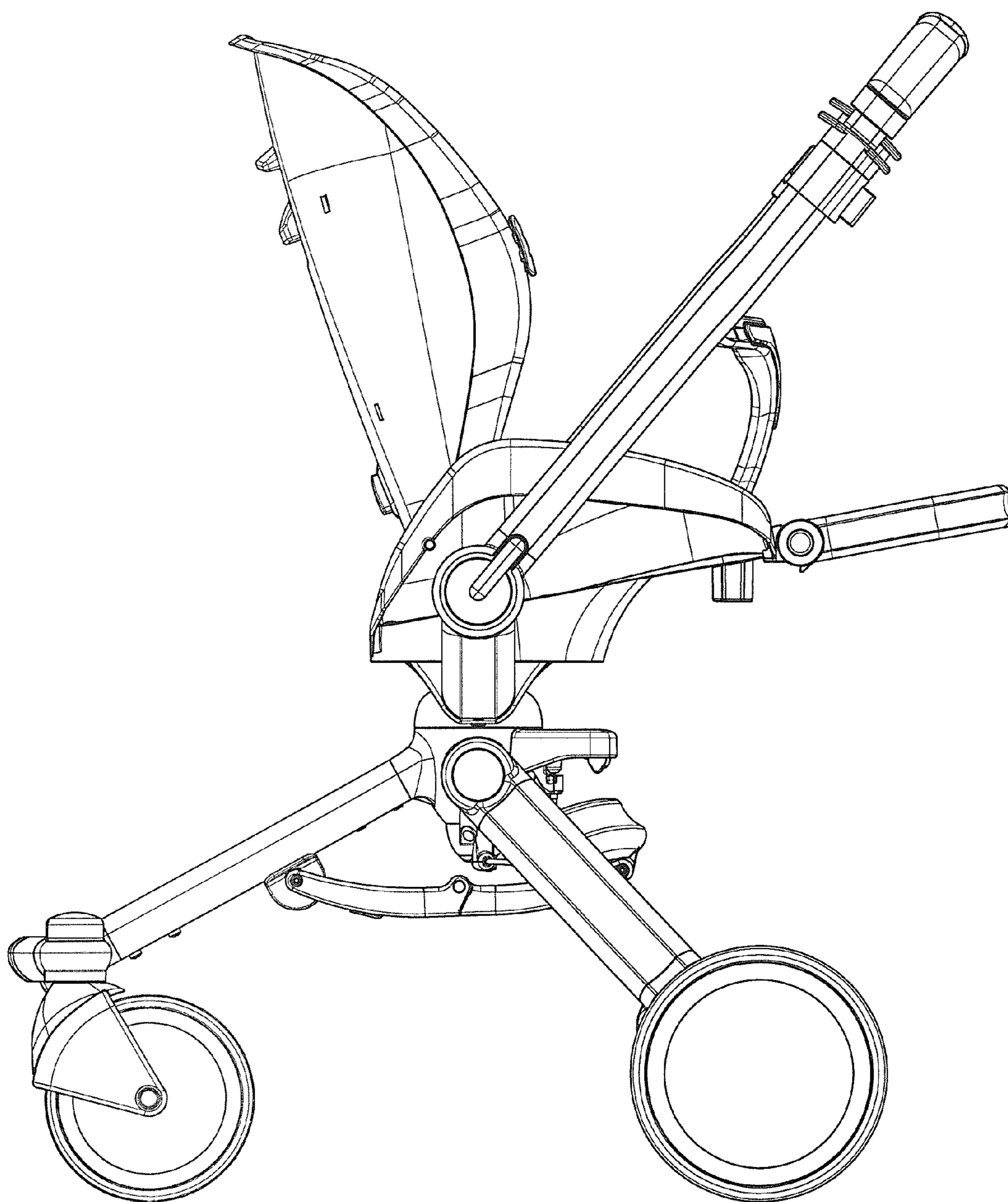


FIG. 3

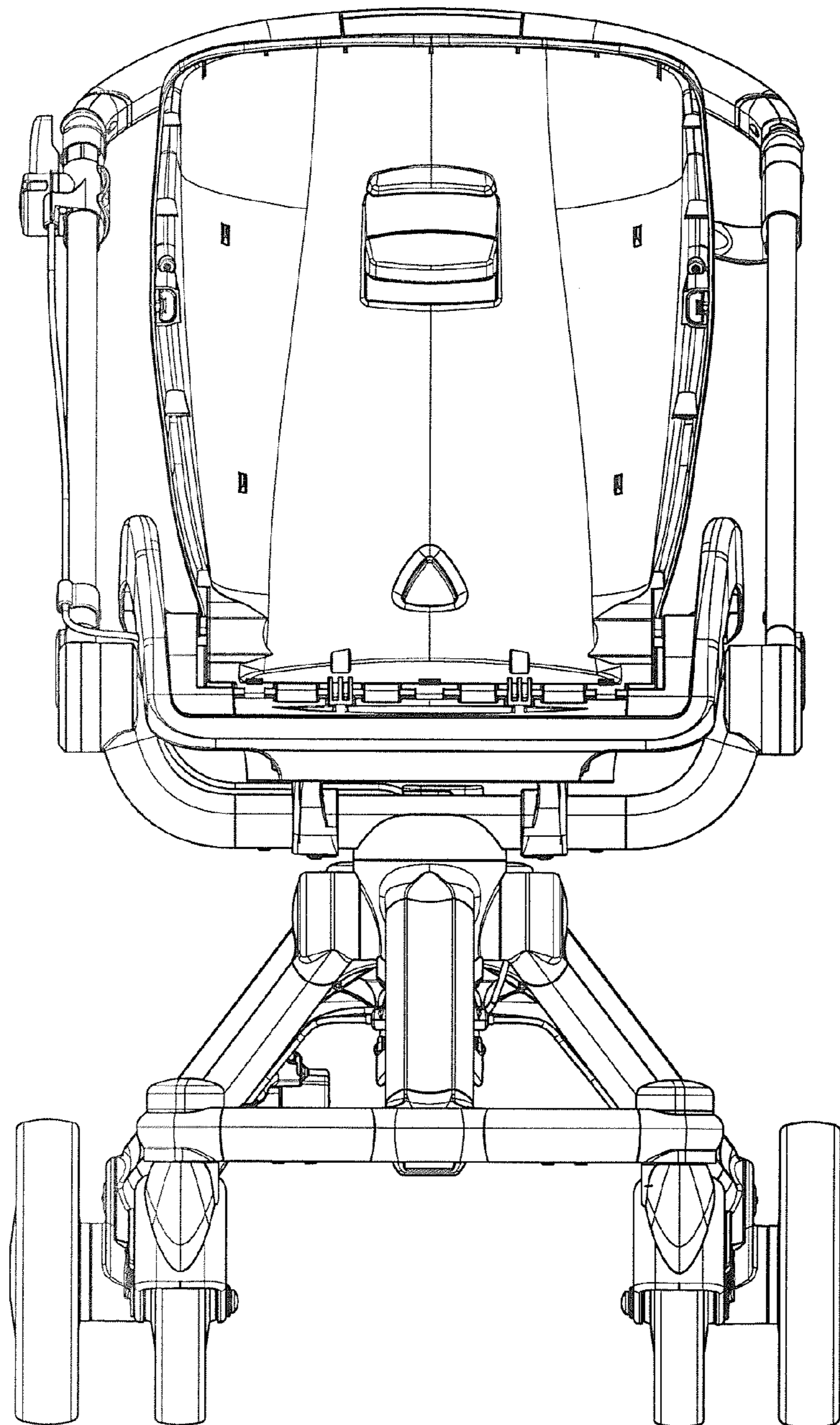


FIG. 4

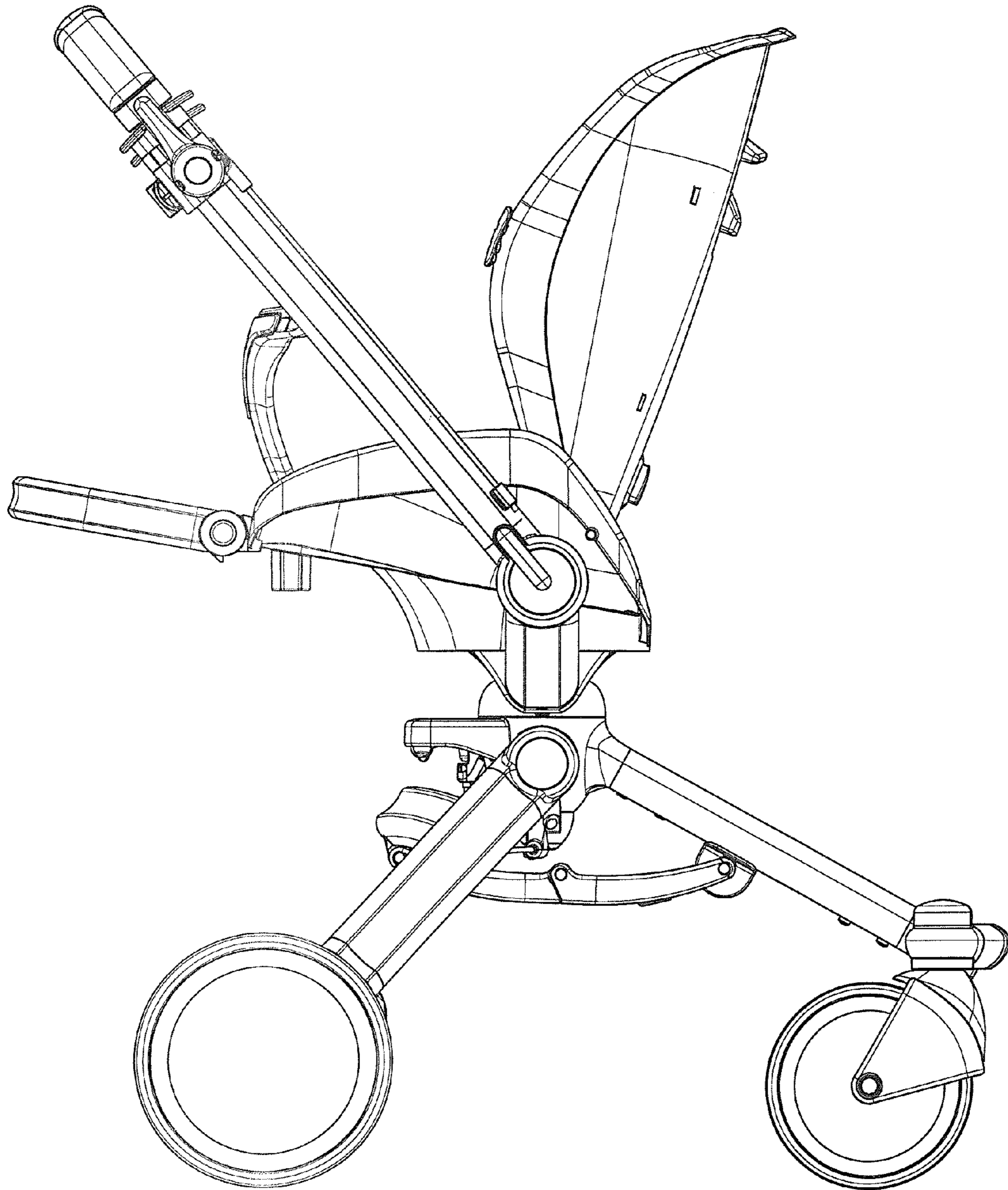


FIG. 5

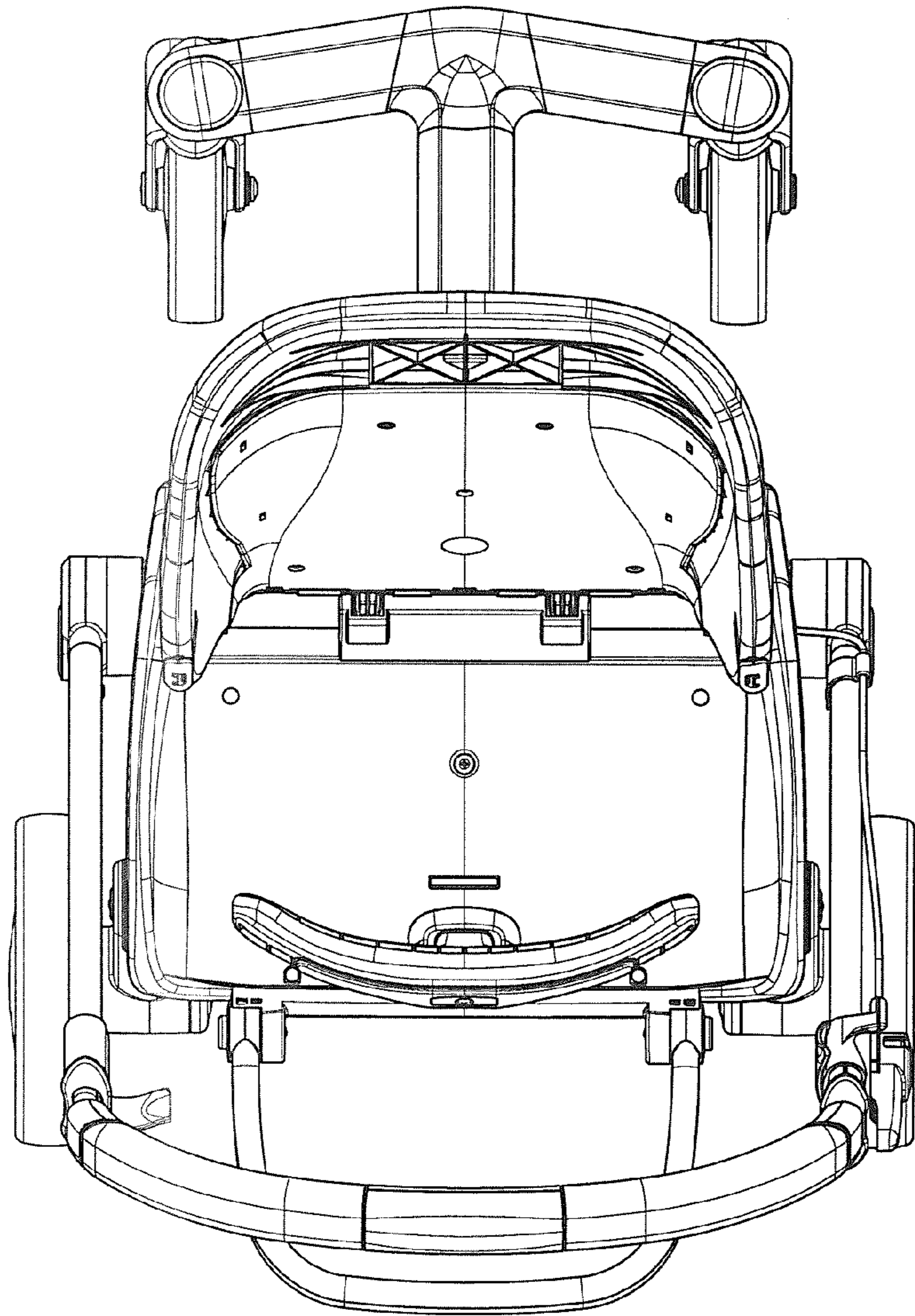


FIG. 6

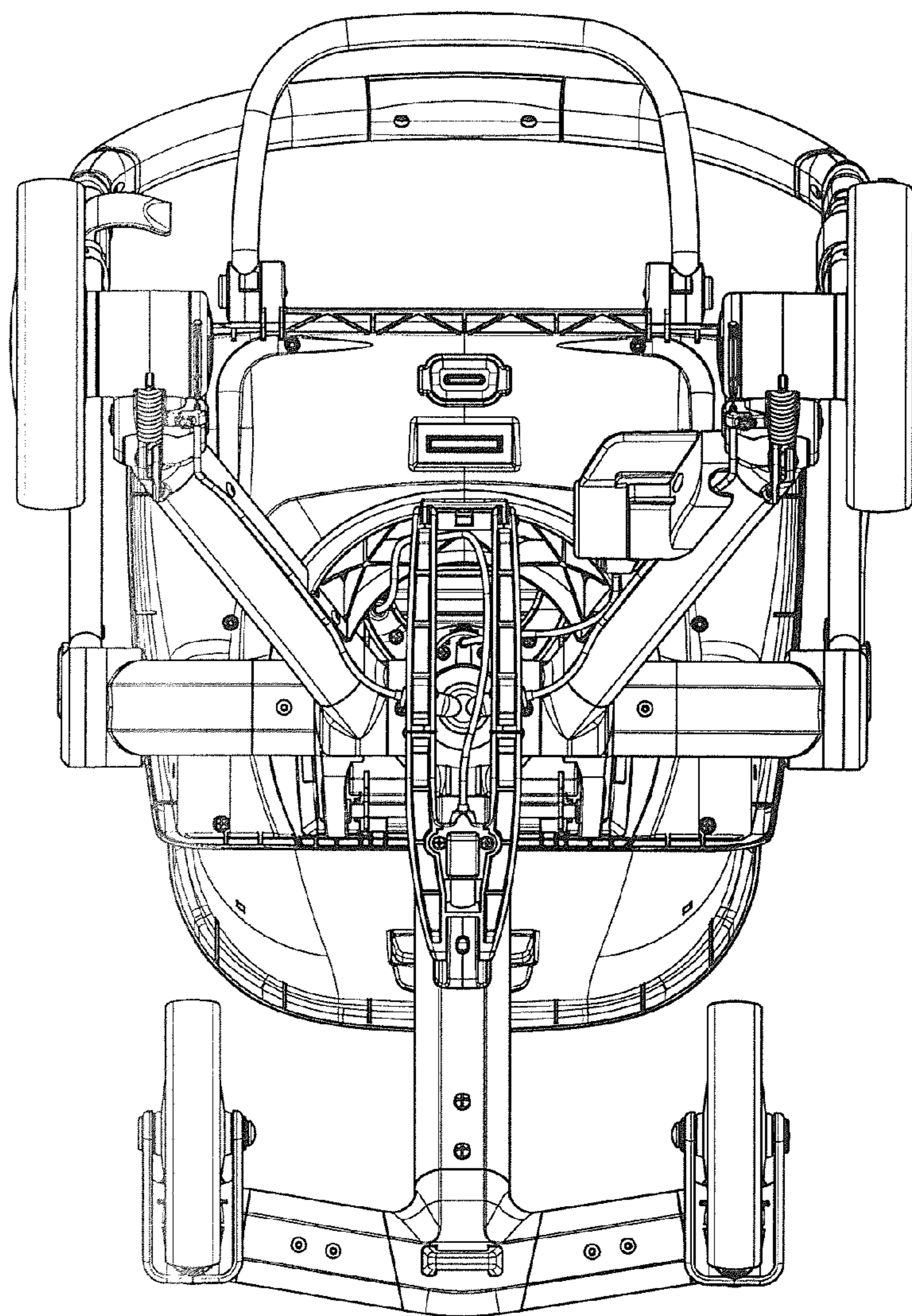


FIG. 7