



US00D654823S

(12) **United States Design Patent**
Schweiger

(10) **Patent No.:** **US D654,823 S**

(45) **Date of Patent:** **** Feb. 28, 2012**

(54) **STONE**

(75) **Inventor:** **Christoph Schweiger, Wörgl (AT)**

(73) **Assignee:** **Swarovski Aktiengesellschaft, Triesen (LI)**

(**) **Term:** **14 Years**

(21) **Appl. No.:** **29/356,992**

(22) **Filed:** **Mar. 5, 2010**

(30) **Foreign Application Priority Data**

Dec. 1, 2009 (EM) 1181879-0003

(51) **LOC (9) Cl.** **11-01**

(52) **U.S. Cl.** **D11/89**

(58) **Field of Classification Search** D11/1-2,
D11/26-29, 89-92; 63/26-28, 32
See application file for complete search history.

(56) **References Cited**

U.S. PATENT DOCUMENTS

D133,706 S *	9/1942	Thatcher	D11/90
D142,193 S *	8/1945	Katz	D11/56
D196,868 S *	11/1963	Nagy	D11/90
D209,771 S *	1/1968	Saltzman	D11/90
D273,371 S *	4/1984	Bulgari	D11/56
D301,213 S *	5/1989	Groh	D11/89
D373,551 S *	9/1996	Udko	D11/90
D384,593 S *	10/1997	Katz	D11/90
6,434,805 B2 *	8/2002	Haimoff	29/10
D501,151 S *	1/2005	Tolkowsky	D11/90

D514,014 S *	1/2006	Hadad	D11/90
D537,378 S *	2/2007	Kothari	D11/89
D542,176 S *	5/2007	Taussig	D11/92
D565,995 S *	4/2008	Granig	D11/90
D567,137 S *	4/2008	Rydlewicz	D11/90
D583,278 S *	12/2008	Steshik	D11/91
D607,368 S *	1/2010	Schweiger	D11/89
D608,681 S *	1/2010	Swarovski	D11/89
D645,378 S *	9/2011	Swarovski	D11/89
D648,649 S *	11/2011	Richter	D11/89
D649,082 S *	11/2011	Neuner	D11/89
D649,083 S *	11/2011	Richter	D11/89

* cited by examiner

Primary Examiner — Ralf Seifert

(74) *Attorney, Agent, or Firm* — Wenderoth, Lind & Ponack, L.L.P.

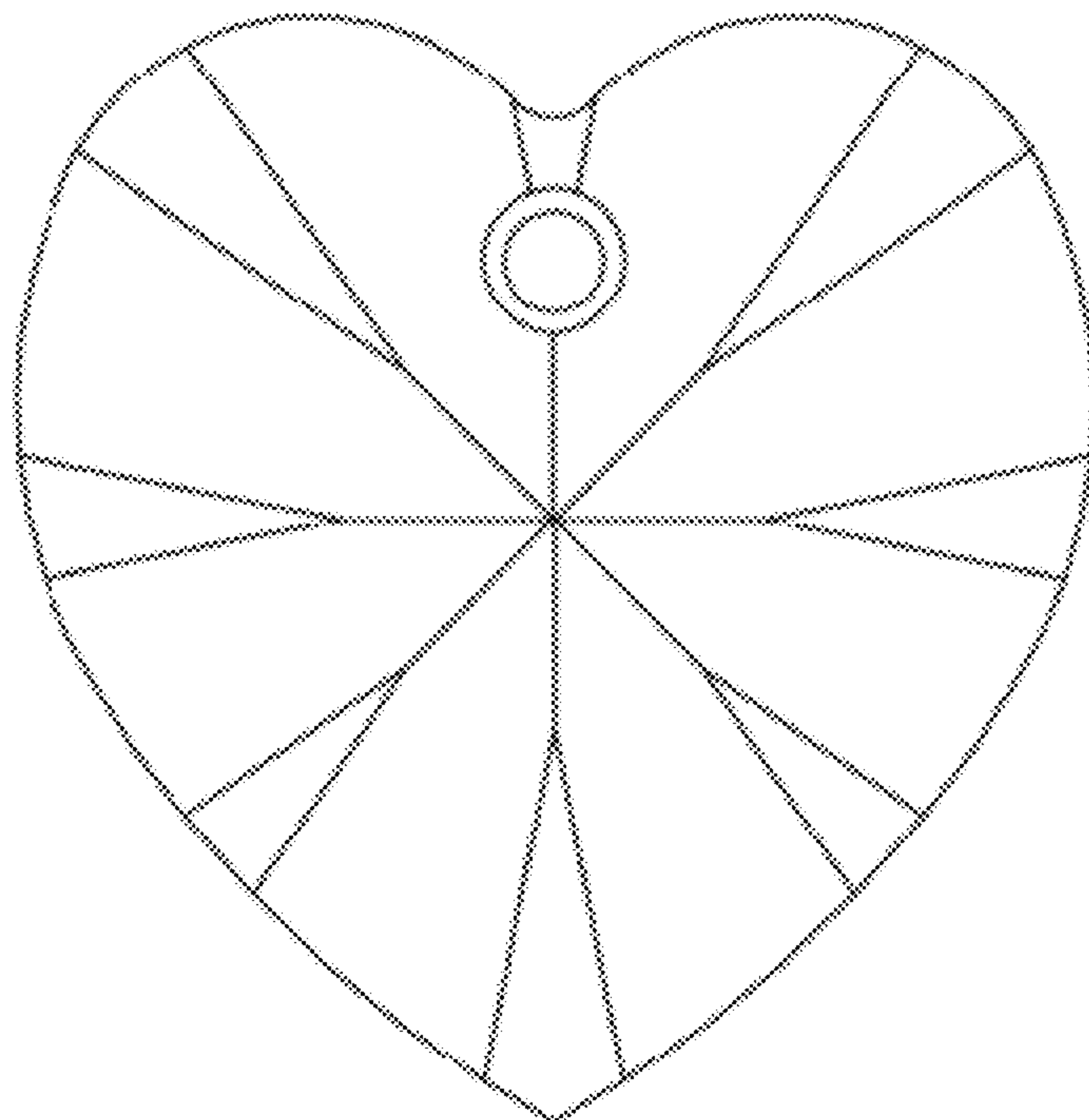
(57) **CLAIM**

The ornamental design for an ornamental stone, as shown and described.

DESCRIPTION

FIG. 1 is a bottom view of the invention;
FIG. 2 is a front view of the invention;
FIG. 3 is a right side view of the invention;
FIG. 4 is a rear view of the invention;
FIG. 5 is a left side view of the invention;
FIG. 6 is a top view of the invention; and,
FIG. 7 is a perspective view of the invention.

1 Claim, 2 Drawing Sheets



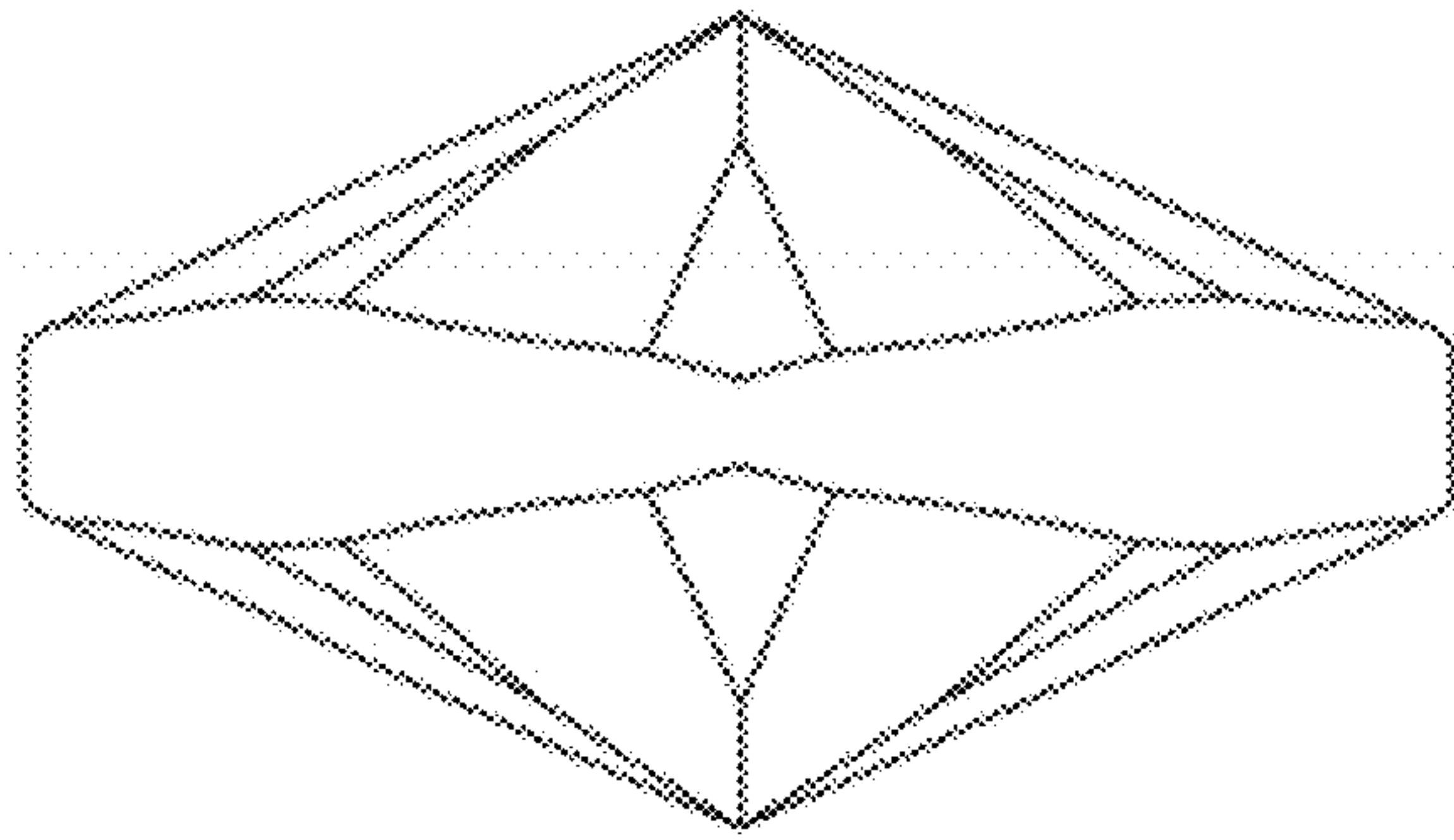


Fig. 1

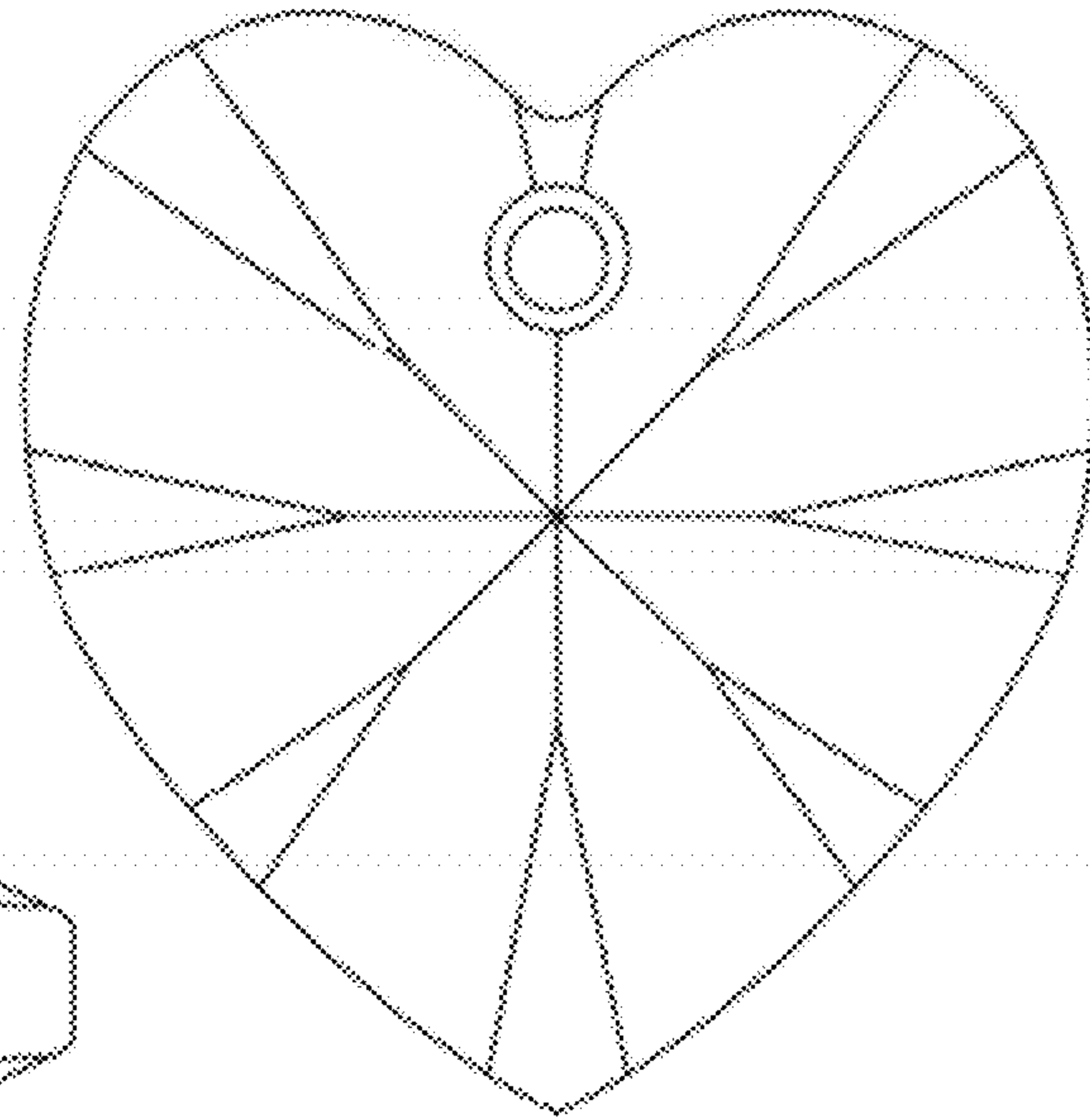


Fig. 2

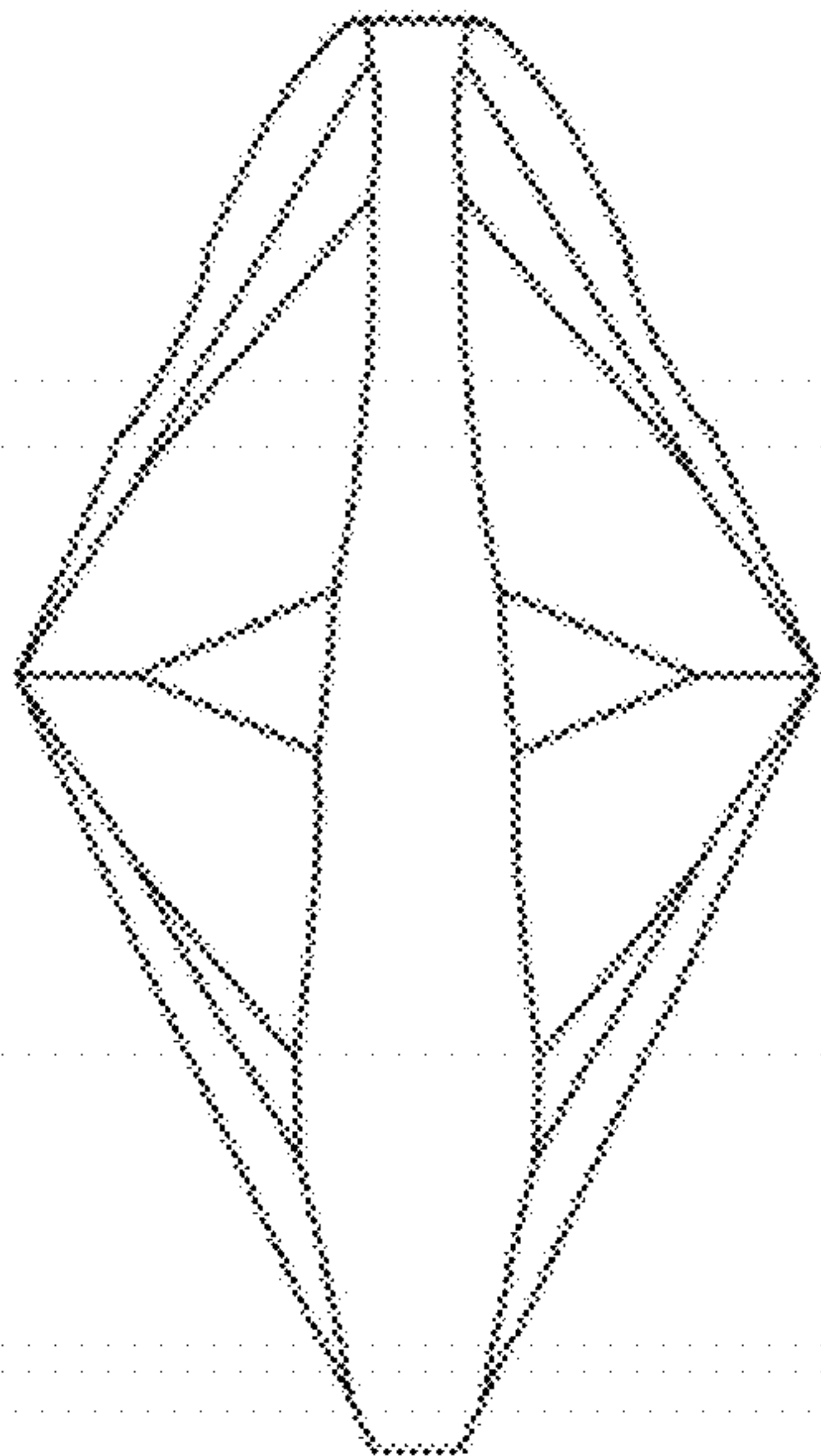


Fig. 3

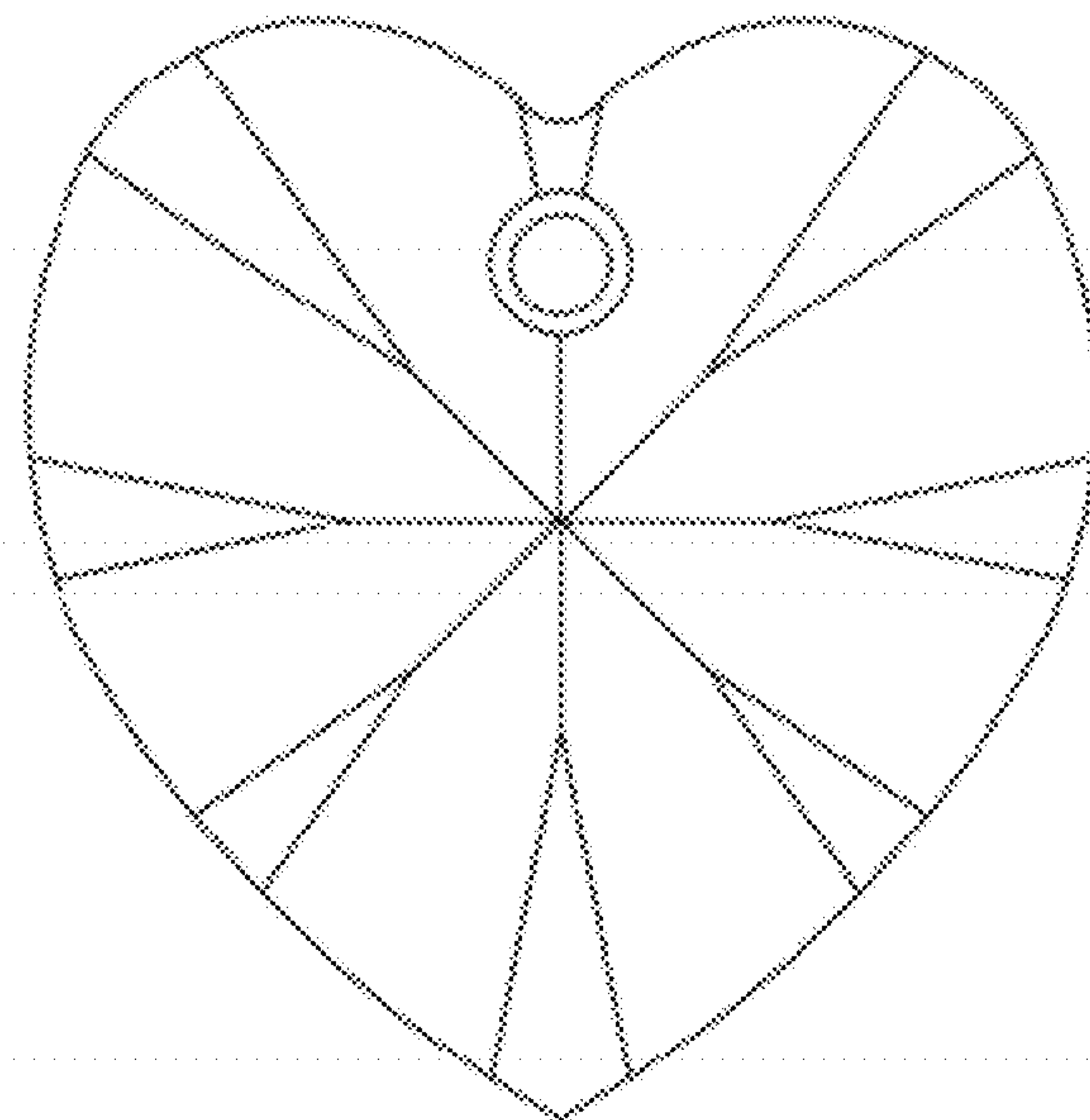


Fig. 4

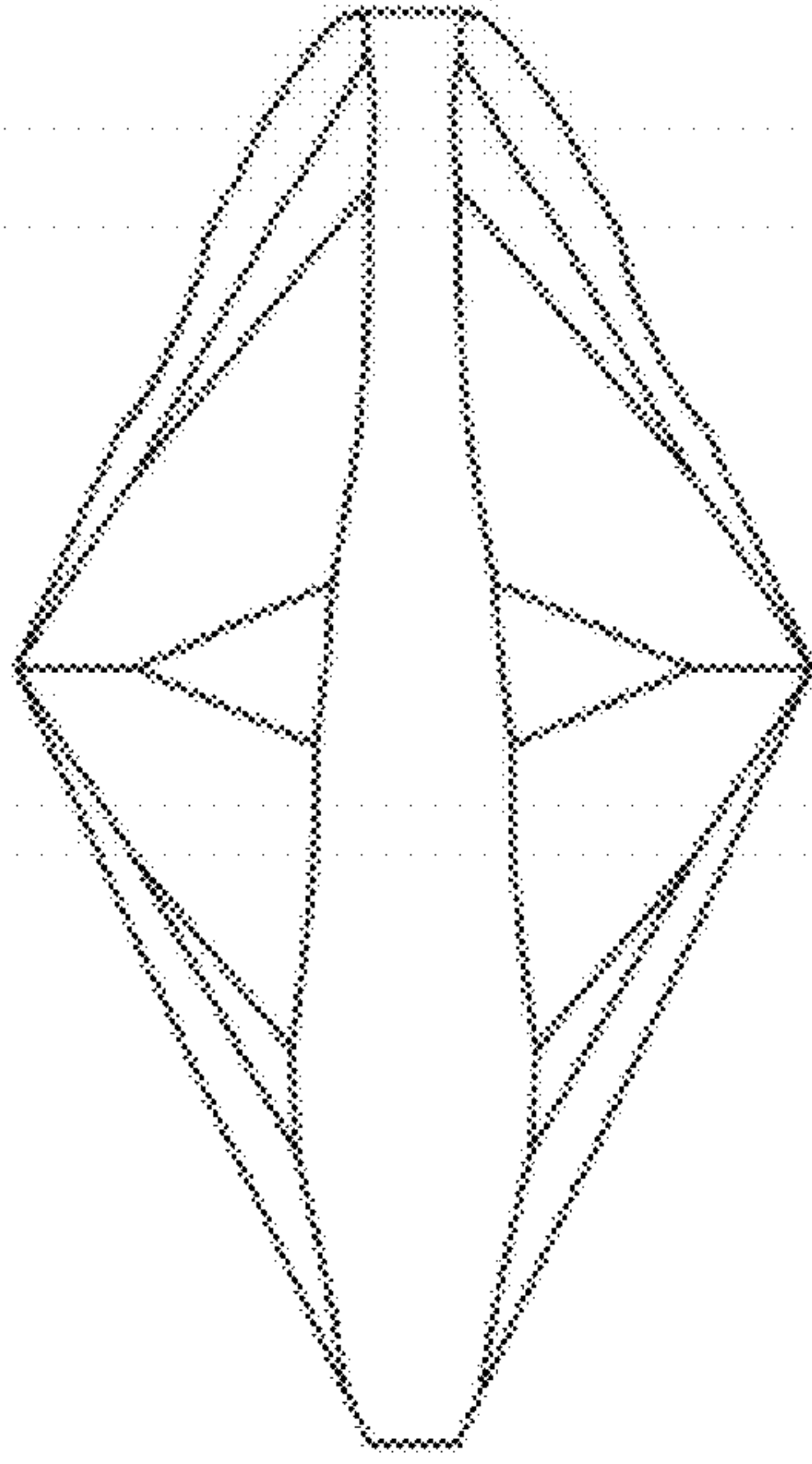


Fig. 5

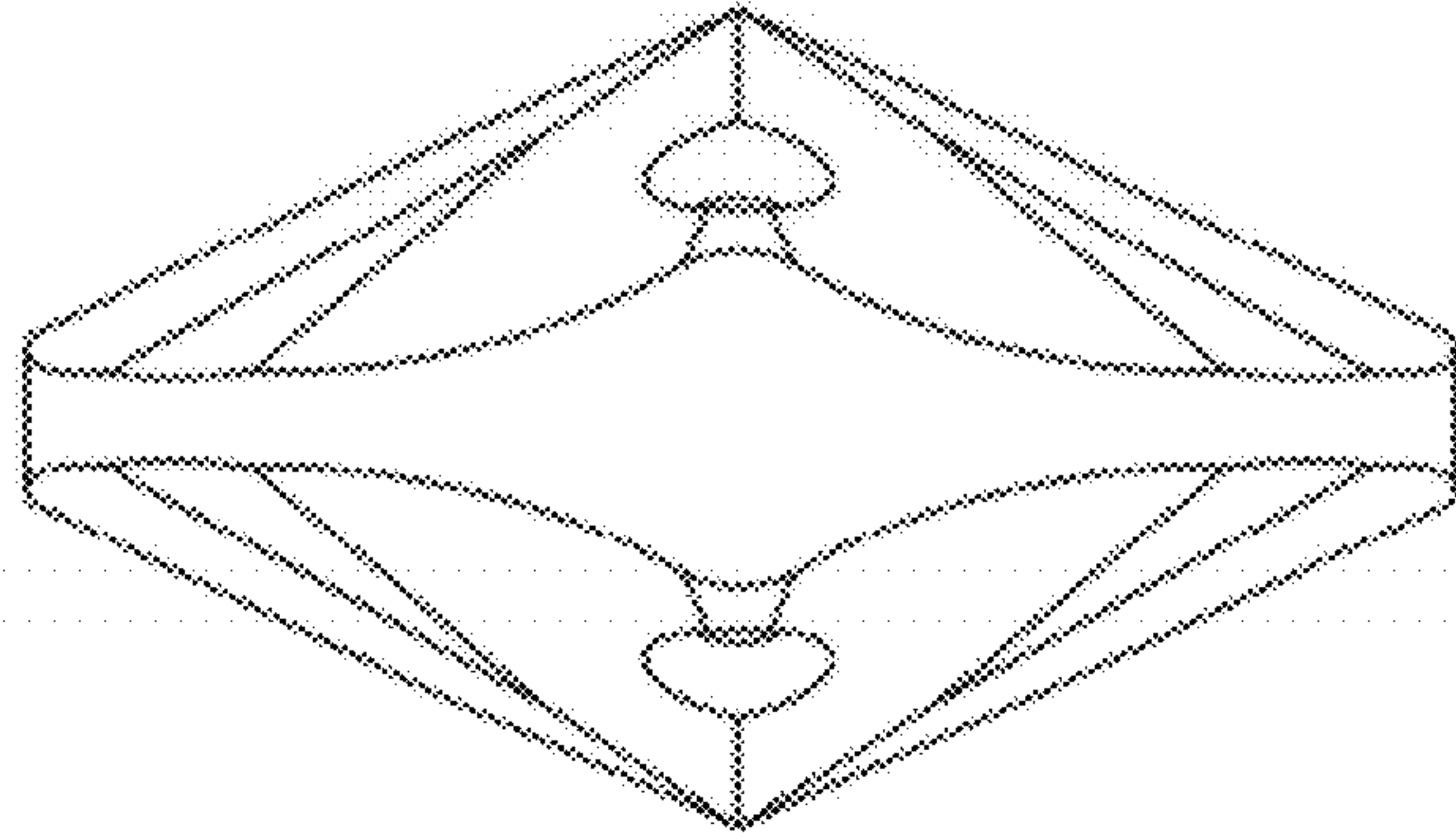


Fig. 6

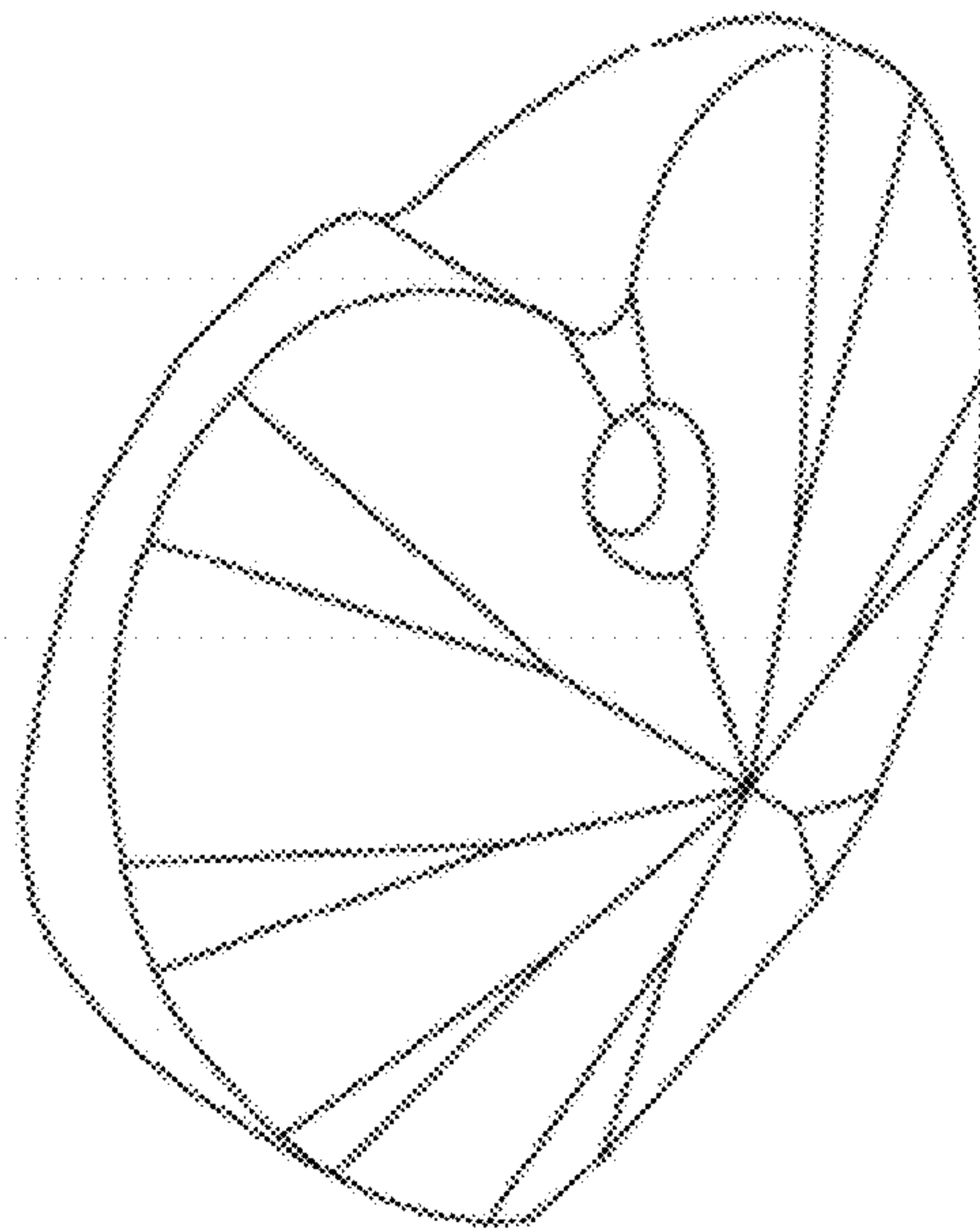


Fig. 7