

US00D654821S

(12) **United States Design Patent**
Perkins et al.

(10) **Patent No.:** **US D654,821 S**

(45) **Date of Patent:** **** Feb. 28, 2012**

(54) **ELECTRICAL HOUSING FOR AN ENCLOSURE**

(75) Inventors: **Mark D. Perkins**, Wayland, NY (US);
Raymond J. Stein, Canandaigua, NY (US)

(73) Assignee: **John D. Brush & Co., Inc.**, Rochester, NY (US)

(**) Term: **14 Years**

(21) Appl. No.: **29/342,716**

(22) Filed: **Aug. 31, 2009**

(51) **LOC (9) Cl.** **10-05**

(52) **U.S. Cl.** **D10/121**

(58) **Field of Classification Search** D10/104.1,
D10/121; D13/184, 110, 133, 139.1, 139.4;
D14/357, 358, 433, 434; 320/107-115; 174/500;
714/480

See application file for complete search history.

(56) **References Cited**

U.S. PATENT DOCUMENTS

D314,367 S * 2/1991 Burgher et al. D13/110
D563,896 S * 3/2008 Greenslate D13/152

D635,095 S * 3/2011 Akahori D13/139.4
D643,376 S * 8/2011 Naumann et al. D13/160
D645,815 S * 9/2011 Wu D13/108

* cited by examiner

Primary Examiner — George D Kirschbaum

(74) *Attorney, Agent, or Firm* — Woods Oviatt Gilman LLP

(57) **CLAIM**

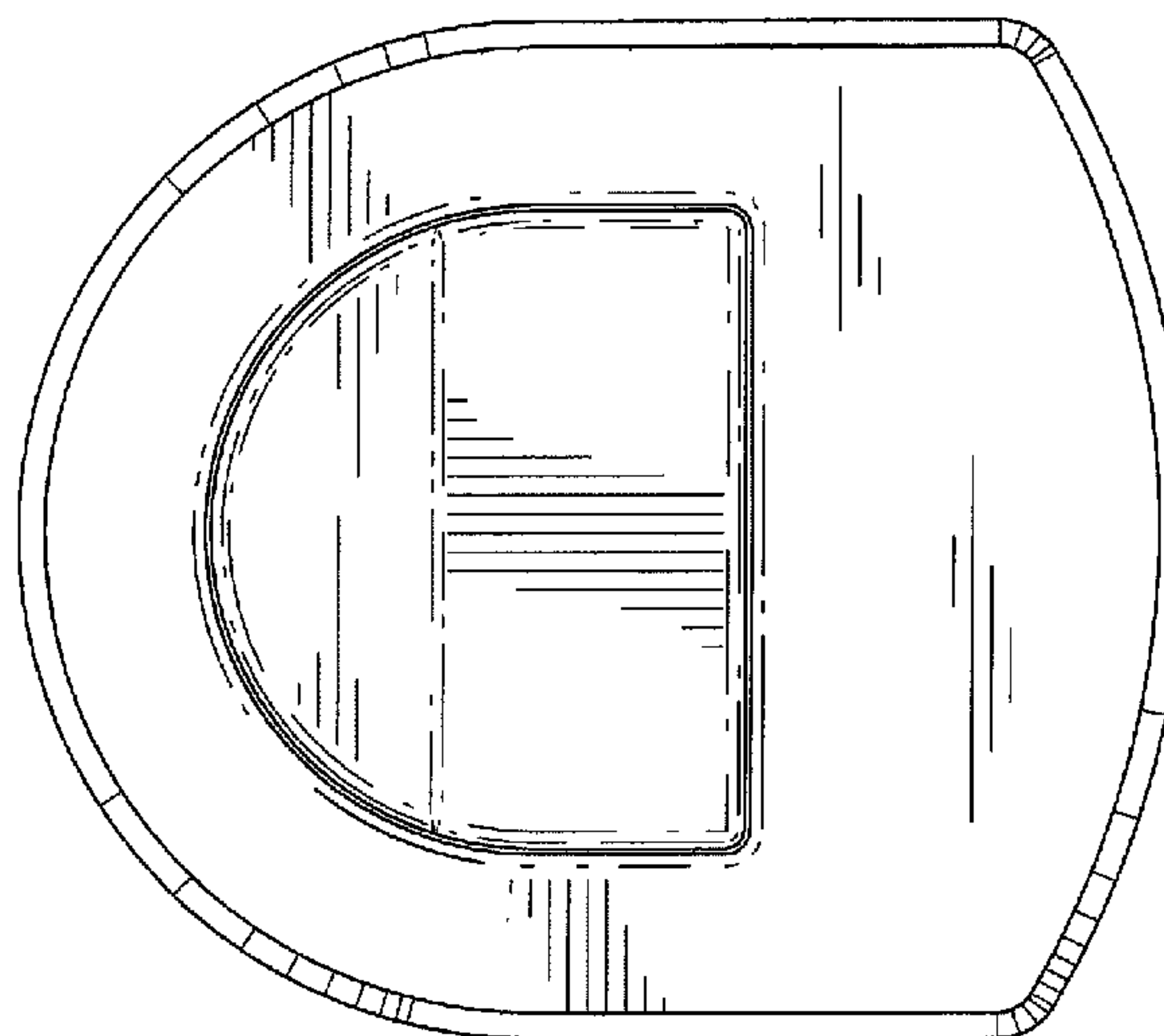
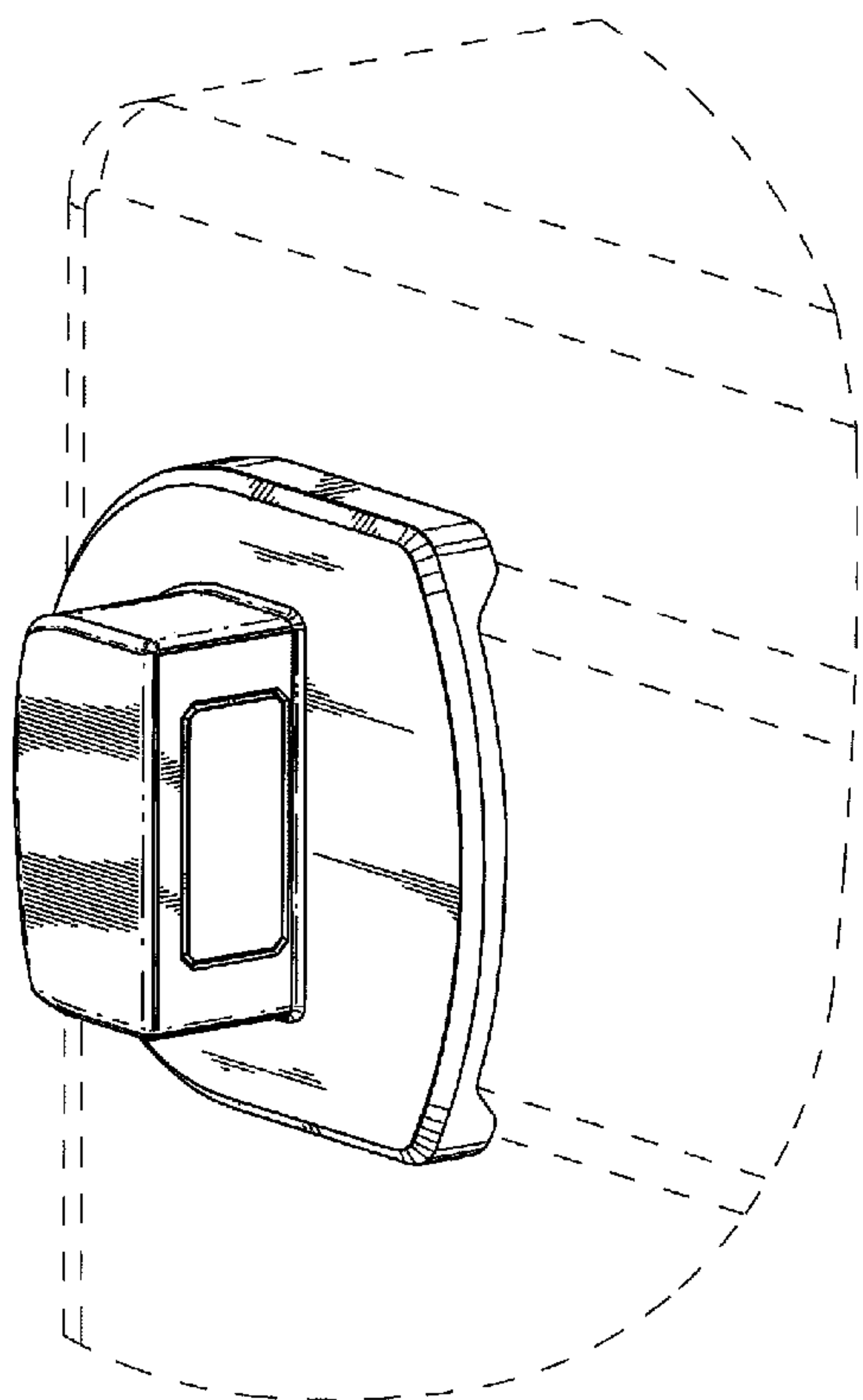
The ornamental design for an electrical housing for an enclosure, as shown and described.

DESCRIPTION

FIG. 1 is a front perspective view of an electrical housing for an enclosure according to the present invention;
FIG. 2 is top view thereof;
FIG. 3 is a right side view thereof;
FIG. 4 is a left side view thereof;
FIG. 5 is rear view thereof; and,
FIG. 6 is a front view thereof.

The broken lines in FIG. 1 showing a portion of an exterior surface of an enclosure have been included for the purpose of illustrating that the electrical housing may be coupled to the exterior surface of an enclosure. The broken lines form no part of the claimed design.

1 Claim, 3 Drawing Sheets



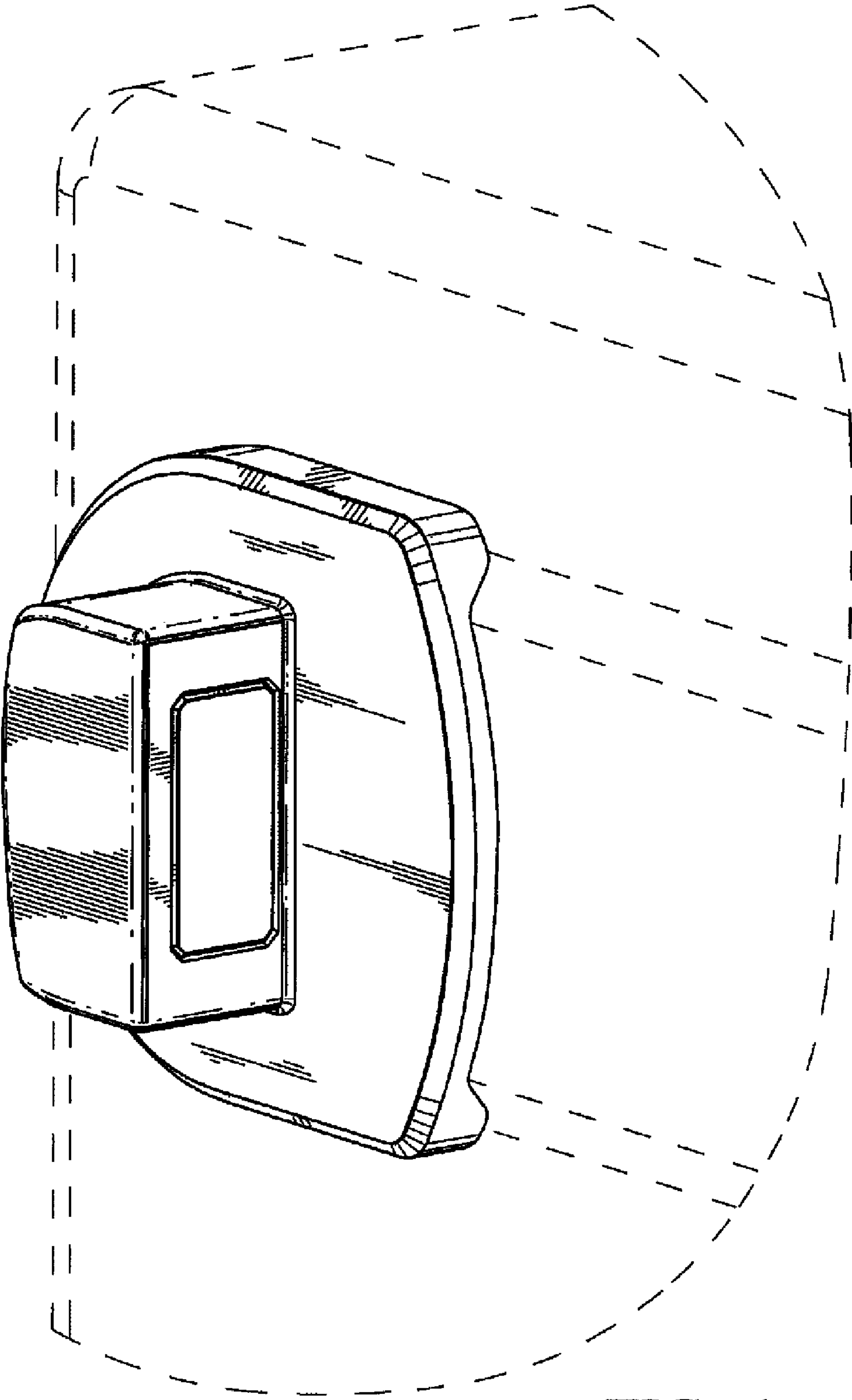


FIG. 1.

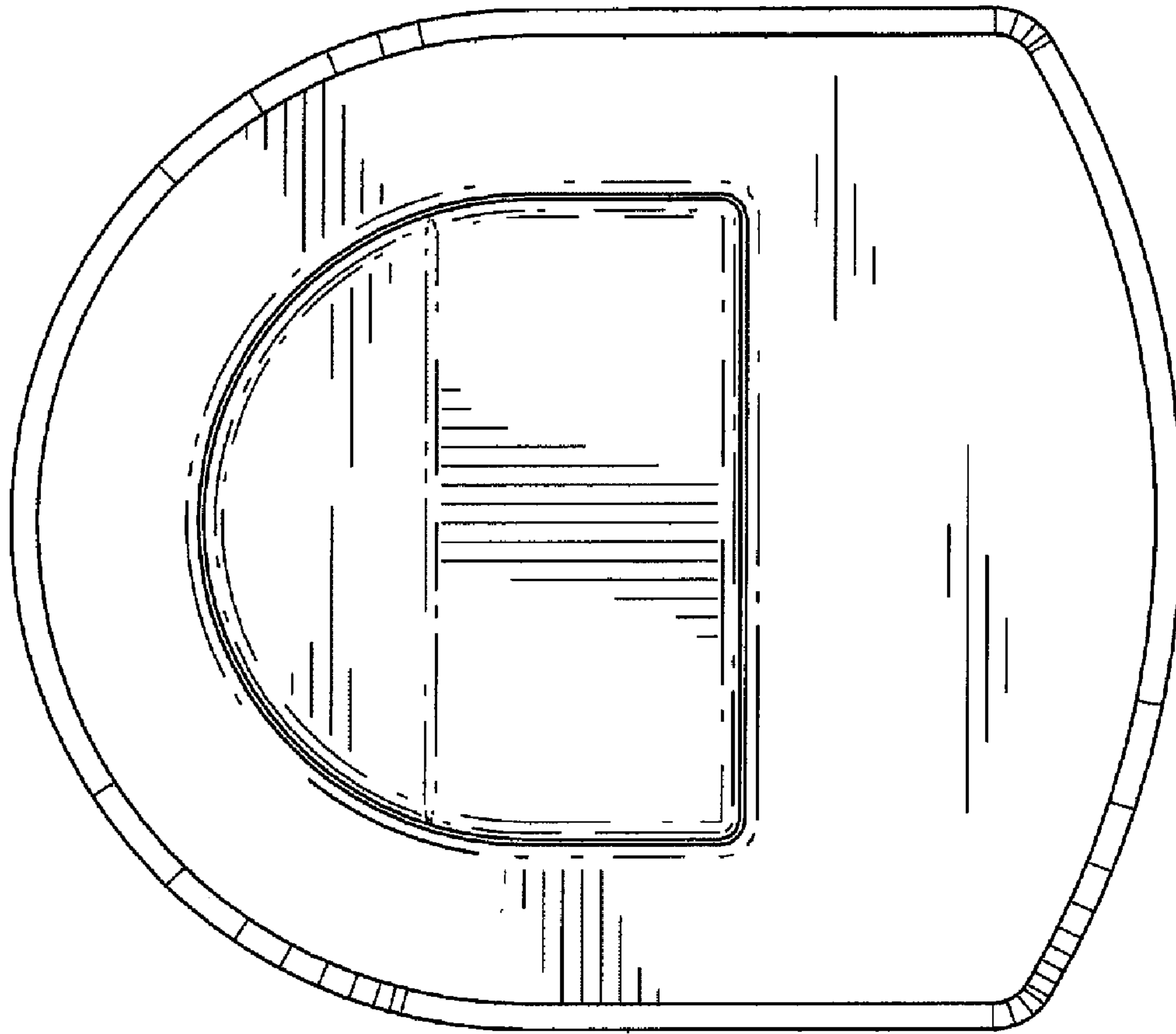


FIG. 2.

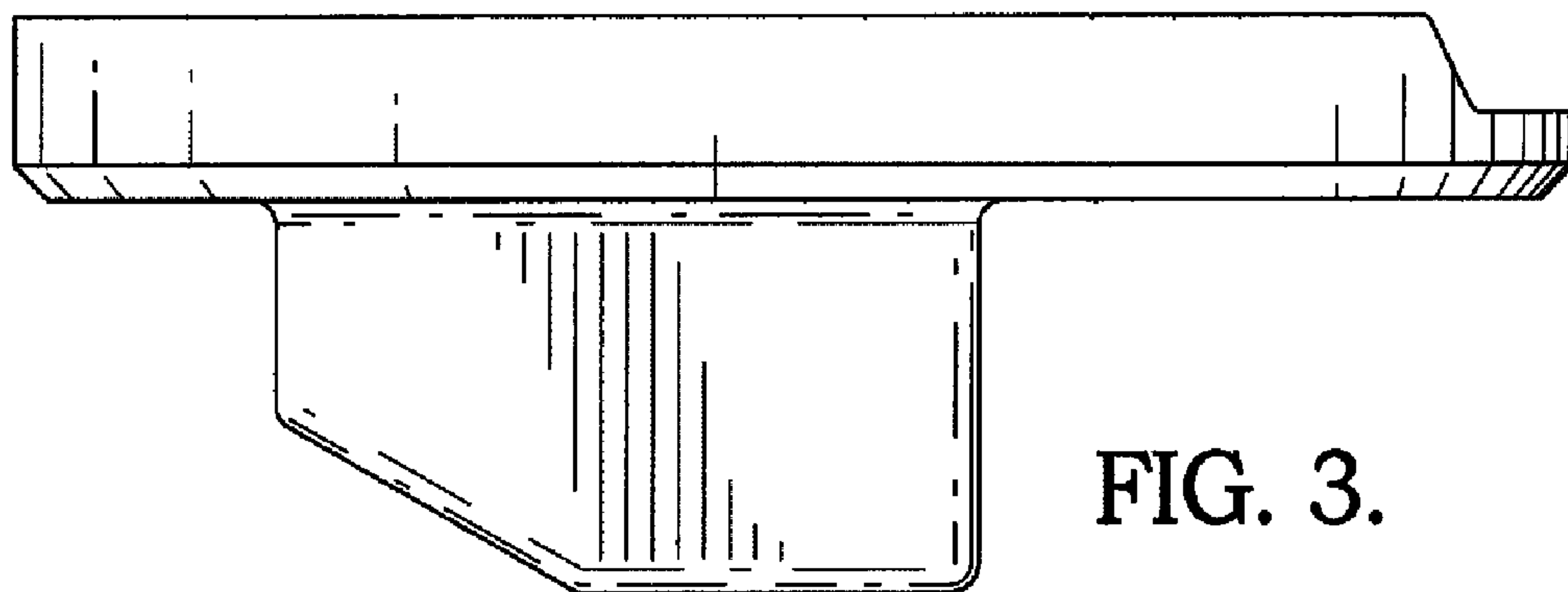


FIG. 3.

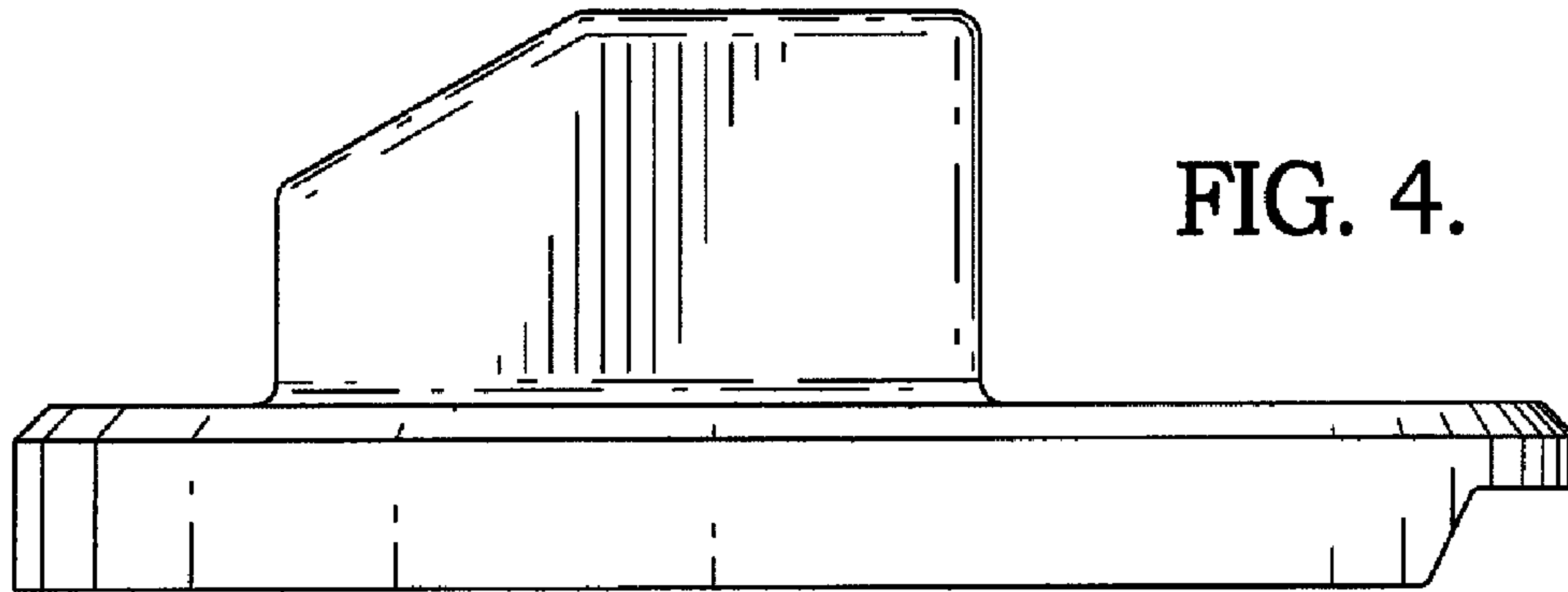


FIG. 4.

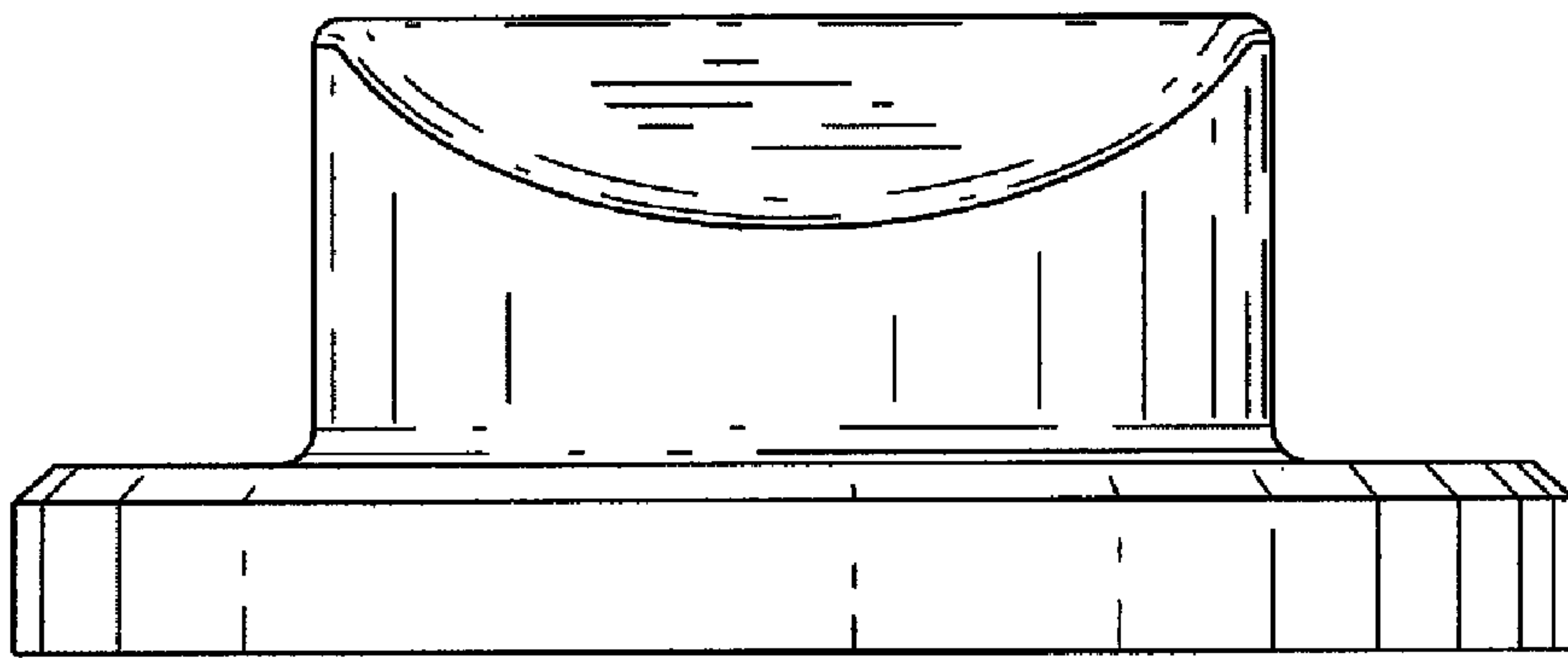


FIG. 5.

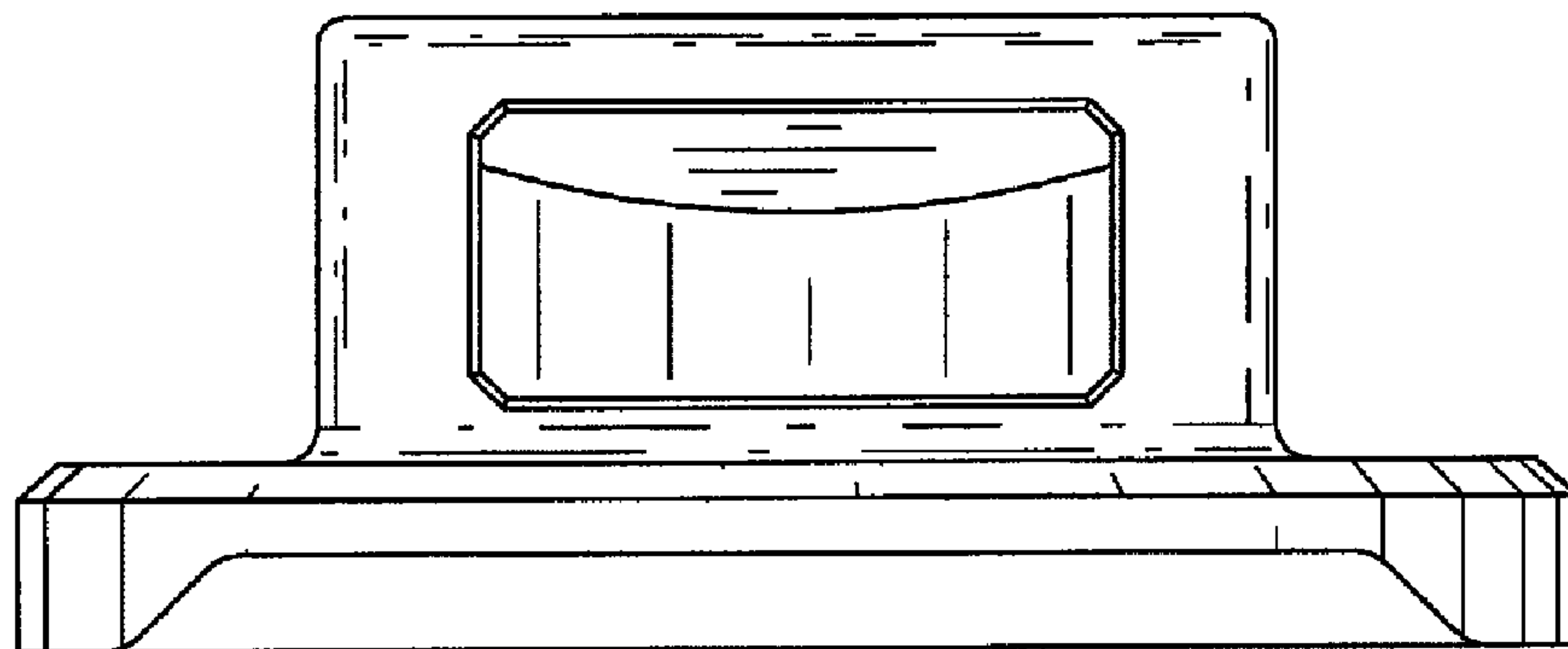


FIG. 6.