



US00D654820S

(12) **United States Design Patent**
D'Angelo

(10) **Patent No.:** **US D654,820 S**

(45) **Date of Patent:** **** Feb. 28, 2012**

(54) **FUEL SENDER**

(75) Inventor: **Gian-Marco D'Angelo**, Portland, OR
(US)

(73) Assignee: **Isspro, Inc.**, Portland, OR (US)

(**) Term: **14 Years**

(21) Appl. No.: **29/367,875**

(22) Filed: **Aug. 13, 2010**

(51) **LOC (9) Cl.** **10-04**

(52) **U.S. Cl.** **D10/101**

(58) **Field of Classification Search** D10/101;
73/317, 322.5, 313, 290 R, 290 V, 304 R;
123/514; 137/565.24, 574; 210/130; 338/33,
338/177; 417/360-363

See application file for complete search history.

(56) **References Cited**

U.S. PATENT DOCUMENTS

1,389,246 A	8/1921	Gregory et al.	
2,371,511 A	3/1945	Faus	
3,714,823 A	2/1973	Wilkens et al.	
4,028,512 A	6/1977	Fiddler	
4,066,997 A	1/1978	Ohmi et al.	
4,084,436 A	4/1978	Smitherman	
4,167,002 A	9/1979	Foley	
4,253,332 A	3/1981	Sabatino et al.	
4,342,224 A	8/1982	Hara et al.	
4,472,969 A	9/1984	Templin	
4,483,192 A	11/1984	Wachter	
4,637,254 A	1/1987	Dyben et al.	
4,694,857 A *	9/1987	Harris	137/565.24
4,706,707 A	11/1987	Betterton et al.	
4,920,798 A	5/1990	Weaver	
4,922,764 A	5/1990	Welker	
4,955,231 A	9/1990	Mahoney	

5,083,115 A	1/1992	Kamiya
5,103,674 A	4/1992	Outwater et al.
5,138,881 A	8/1992	Riley et al.
5,148,709 A	9/1992	Ross, Jr.
5,150,615 A	9/1992	Rymut et al.

(Continued)

FOREIGN PATENT DOCUMENTS

EP 669523 8/1995

(Continued)

Primary Examiner — Antoine D Davis

(74) *Attorney, Agent, or Firm* — Dascenzo Intellectual Property Law, P.C.

(57) **CLAIM**

The ornamental design for a fuel sender, as shown and described.

DESCRIPTION

FIG. 1 is a top perspective view of a fuel sender showing the new design.

FIG. 2 is a bottom perspective view of the new design.

FIG. 3 is a side view of the new design.

FIG. 4 is a side view of the new design.

FIG. 5 is a side view of the new design.

FIG. 6 is a side view of the new design.

FIG. 7 is a profile view of the new design, corresponding to the line 7-7 in FIG. 6.

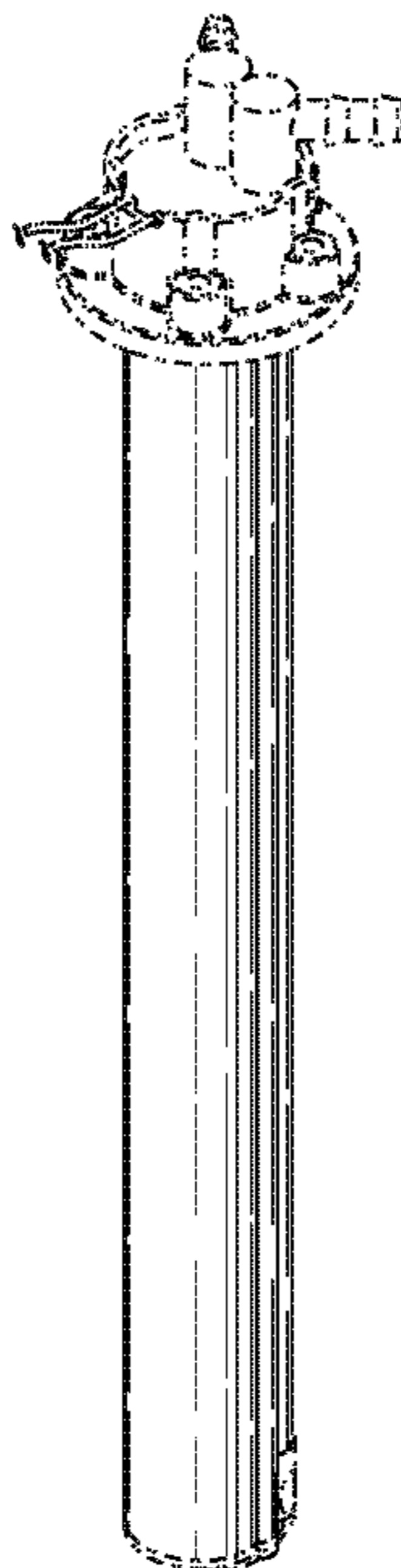
FIG. 8 is a top view of the new design; and,

FIG. 9 is a bottom view of the new design.

The broken lines shown in the drawings are for illustrative purposes only and form no part of the claimed design.

The shading lines shown in the drawings represent the approximate three-dimensional contour of the design, and are not intended to indicate surface decoration.

1 Claim, 4 Drawing Sheets



US D654,820 S

Page 2

U.S. PATENT DOCUMENTS

5,156,047 A 10/1992 Tuma et al.
5,299,456 A 4/1994 Steiner
D350,297 S * 9/1994 Weisel D10/103
5,347,864 A 9/1994 Senghaas et al.
5,357,815 A 10/1994 Williamson
5,398,659 A * 3/1995 Zimmerman et al. 123/514
5,410,913 A 5/1995 Blackburn
5,431,047 A * 7/1995 Coha et al. 73/317
5,433,085 A 7/1995 Rogers
5,435,181 A 7/1995 Koebornik
5,562,003 A 10/1996 Lefebvre
5,924,285 A 7/1999 Chiba
6,408,692 B1 6/2002 Glahn
6,571,626 B1 6/2003 Herford
6,892,573 B2 5/2005 Gansebom

6,923,057 B2 8/2005 Sabatino
D537,743 S * 3/2007 Liu D10/101
7,259,384 B2 8/2007 Hariram et al.
7,360,529 B2 4/2008 Ziegler et al.
7,377,162 B2 5/2008 Lazaris
7,418,861 B2 9/2008 Fling et al.
7,562,571 B2 7/2009 Raffalt
D619,688 S * 7/2010 Gismervik D10/101
D621,015 S * 8/2010 Gismervik D10/101
D622,833 S * 8/2010 Gismervik D10/101
D625,396 S * 10/2010 Gismervik D10/101

FOREIGN PATENT DOCUMENTS

GB 2204997 11/1988

* cited by examiner

Fig. 1

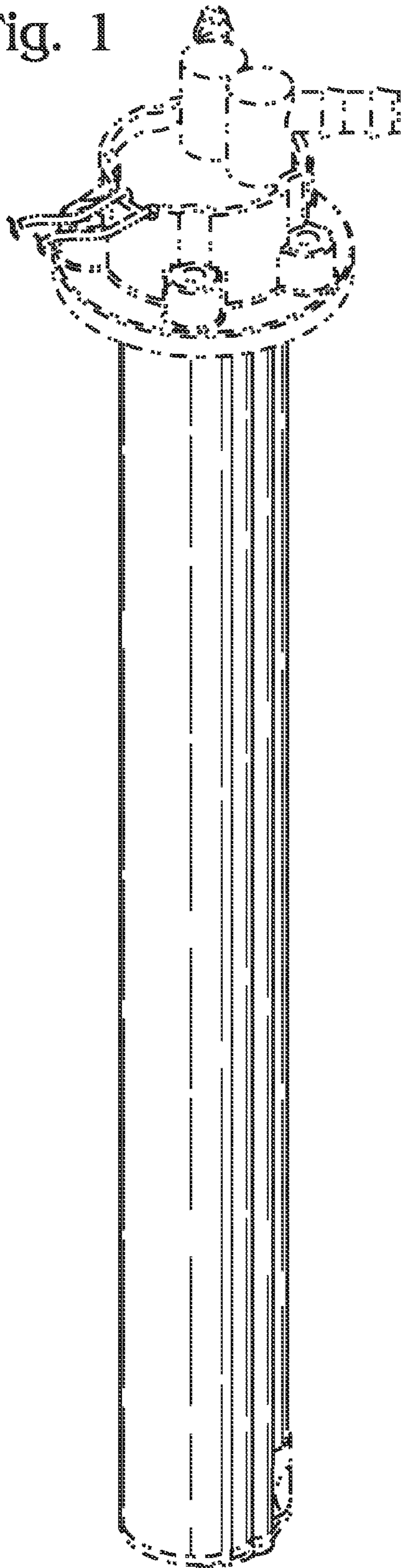


Fig. 2

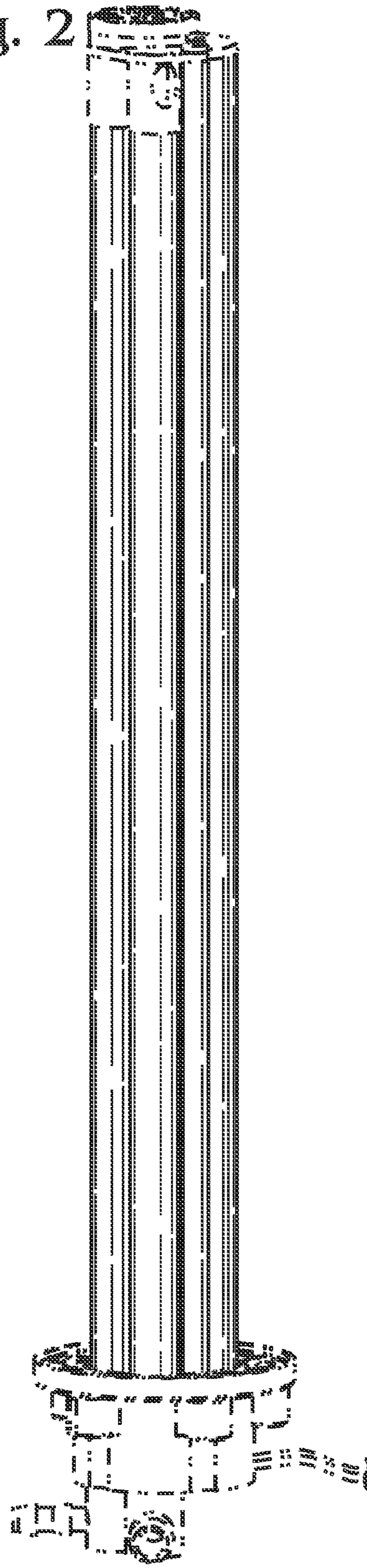


Fig. 3

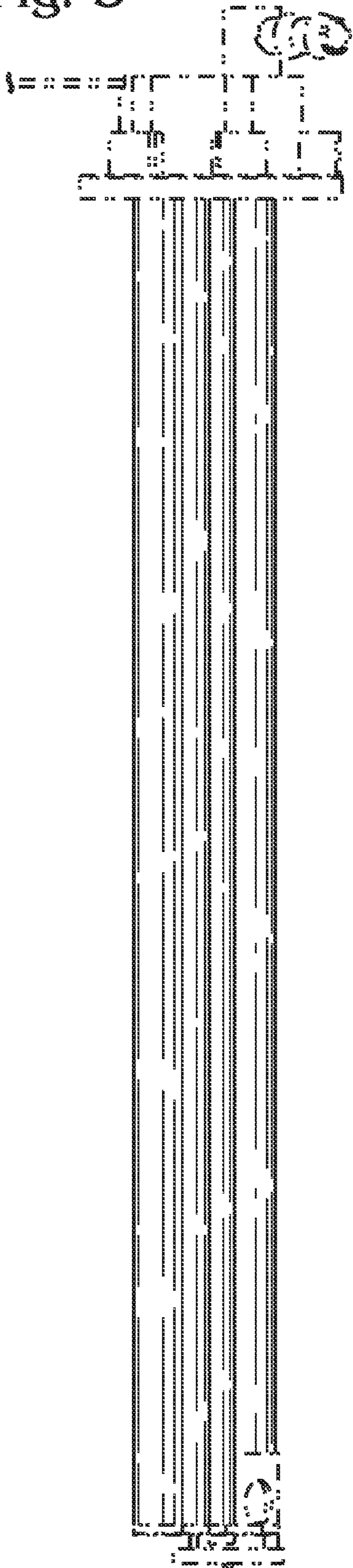


Fig. 4

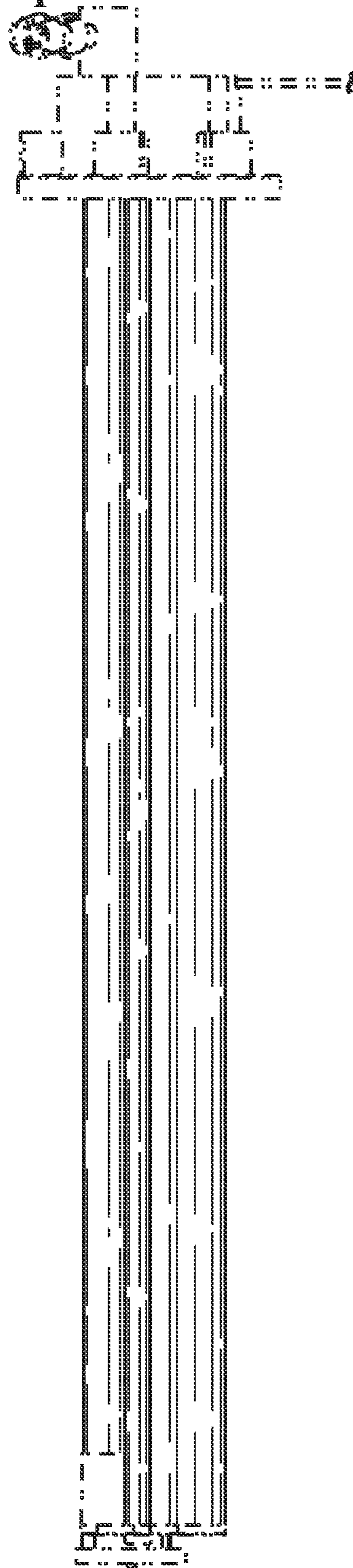


Fig. 5

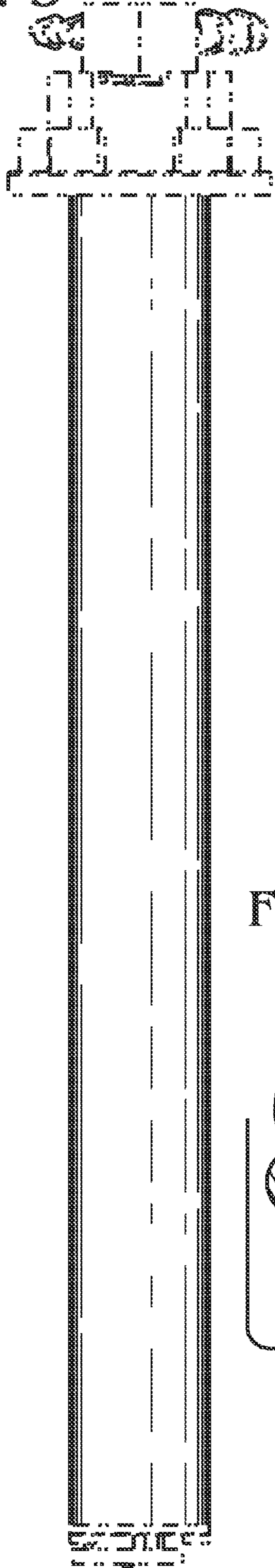


Fig. 6

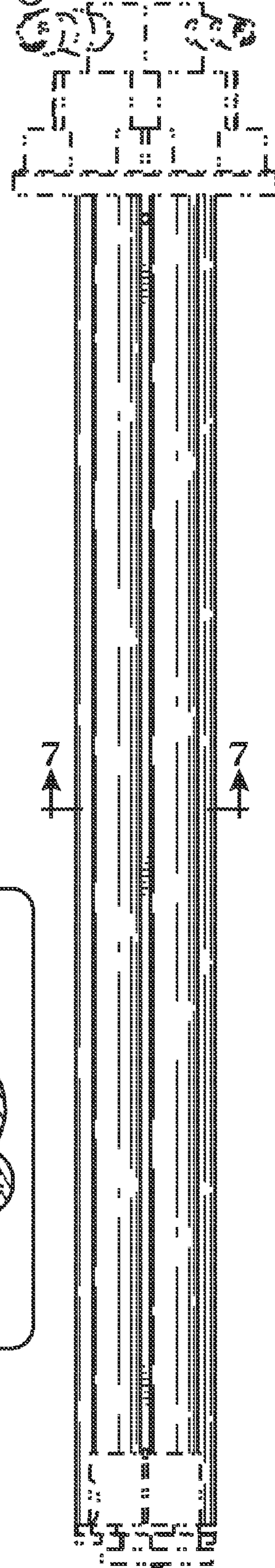


Fig. 7

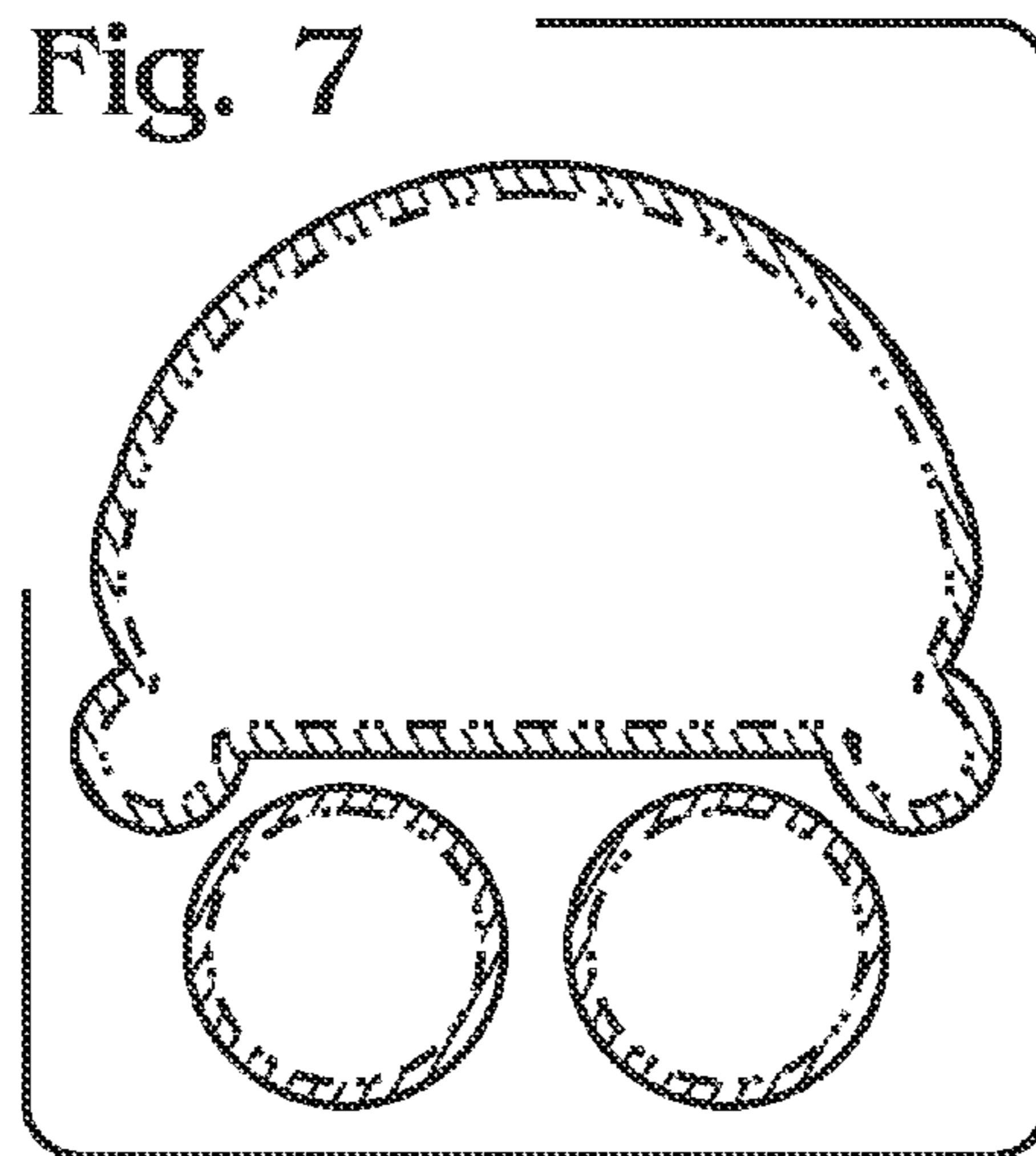


Fig. 8

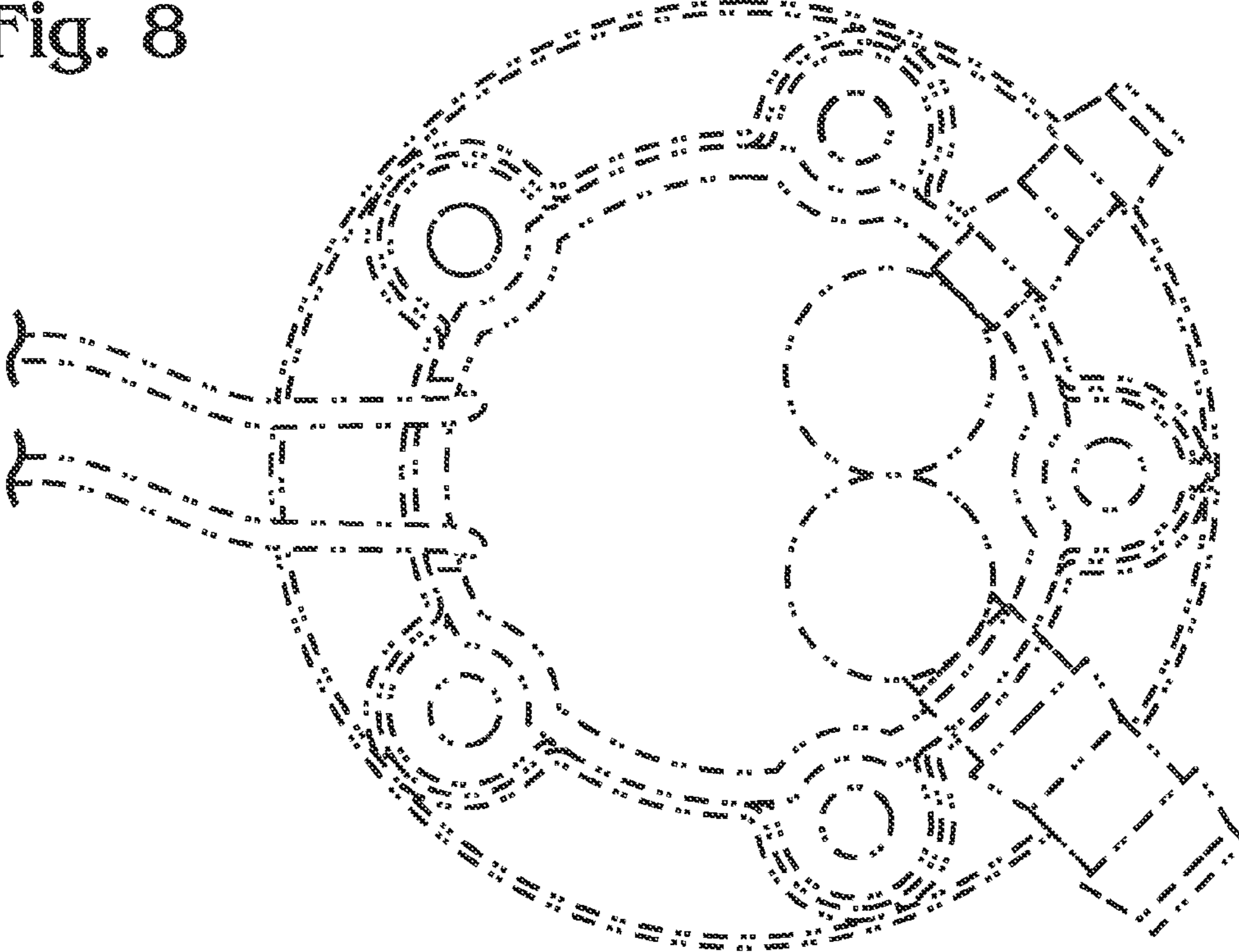


Fig. 9

