



US00D654817S

(12) **United States Design Patent**
Dede et al.

(10) **Patent No.:** **US D654,817 S**
(45) **Date of Patent:** **** Feb. 28, 2012**

(54) **HANDHELD LASER WIND VELOCIMETER**

(56) **References Cited**

(75) Inventors: **Edgar K. Dede**, Manassas, VA (US);
Patrick Mainville, Montréal (CA);
Richard Paré, Boucherville (CA);
Benoit Orban, Saint-Lambert (CA);
François Gaucher, Montréal (CA);
Catherine Turgy, Montréal (CA)

U.S. PATENT DOCUMENTS

D352,909 S 11/1994 Newman
6,257,074 B1 7/2001 Kellerman
D461,421 S 8/2002 Kellerman et al.
2007/0179754 A1 8/2007 Sper
2010/0228517 A1* 9/2010 Wike et al. 702/149
* cited by examiner

(73) Assignee: **Catch The Wind, Inc.**, Manassas, VA (US)

Primary Examiner — Antoine D Davis
(74) *Attorney, Agent, or Firm* — Knobbe Martens Olson & Bear, LLP

(**) Term: **14 Years**

(57) **CLAIM**
The ornamental design for a handheld laser wind velocimeter, as shown and described.

(21) Appl. No.: **29/388,699**

DESCRIPTION

(22) Filed: **Mar. 31, 2011**

Related U.S. Application Data

(63) Continuation of application No. 29/353,748, filed on Jan. 13, 2010, now Pat. No. Des. 637,499.

(51) **LOC (9) Cl.** **10-04**

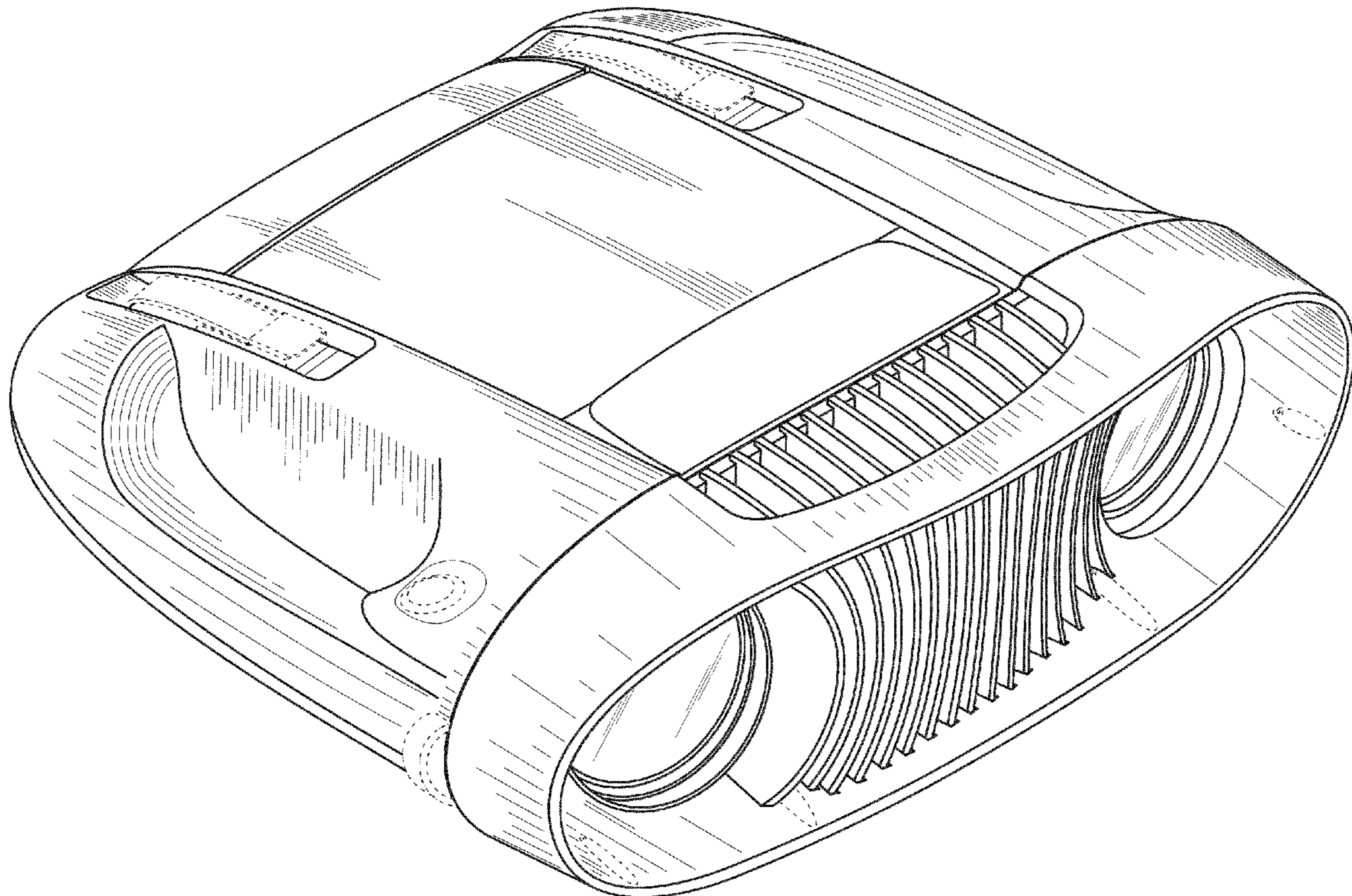
(52) **U.S. Cl.** **D10/59**

(58) **Field of Classification Search** D10/98,
D10/59; 73/861.94; 356/28, 28.5

See application file for complete search history.

FIG. 1 is a front perspective view of a handheld laser wind velocimeter showing our new design; FIG. 2 is a top plan view thereof; FIG. 3 is a side view thereof; FIG. 4 is another side view thereof; FIG. 5 is a rear view thereof; FIG. 6 is a front view thereof; and, FIG. 7 is a bottom plan view thereof. The dashed broken lines in the Figures are included for the purpose of illustrating portions of the handheld laser wind velocimeter that form no part of the claimed design.

1 Claim, 5 Drawing Sheets



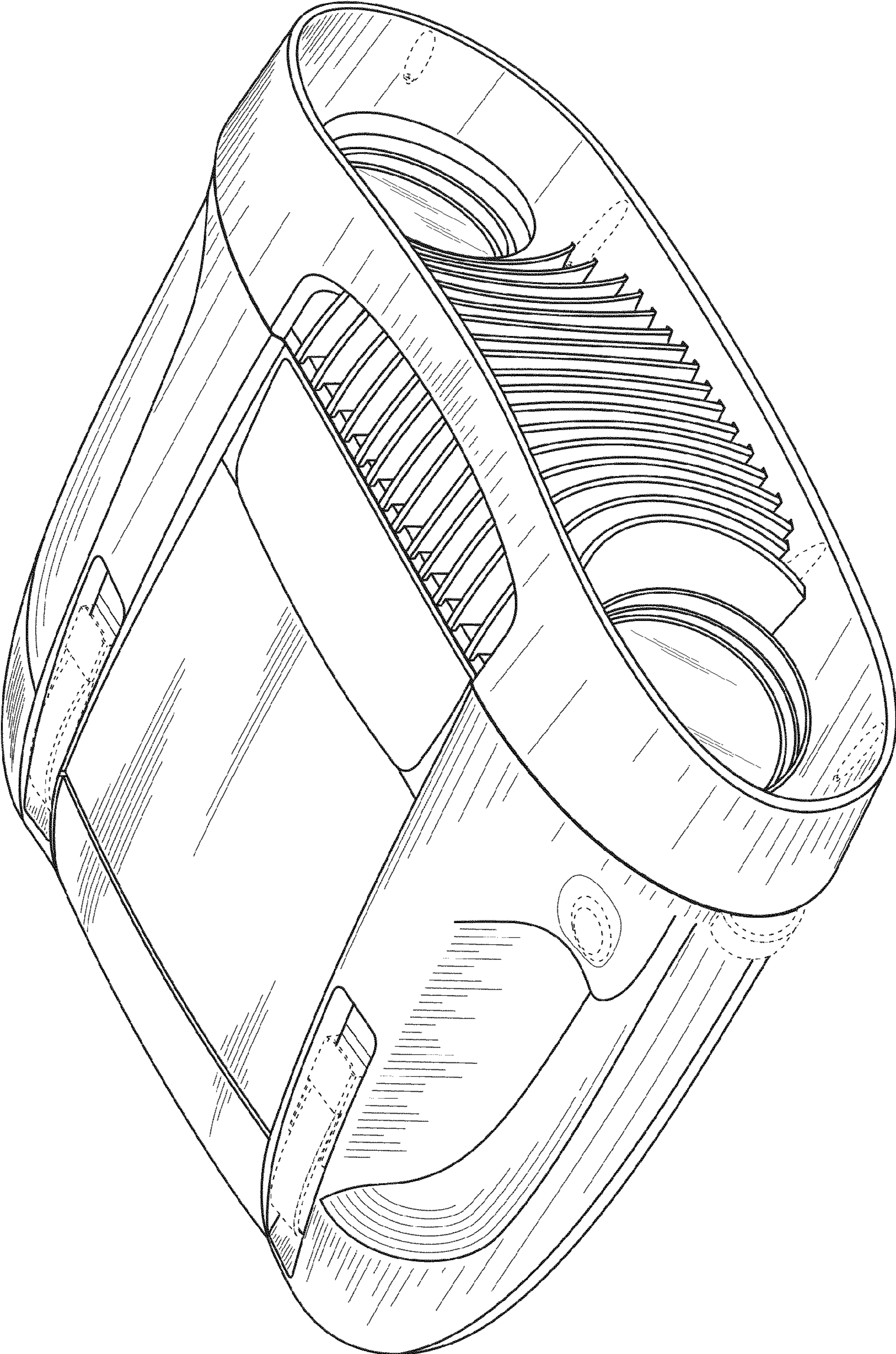


FIG. 1

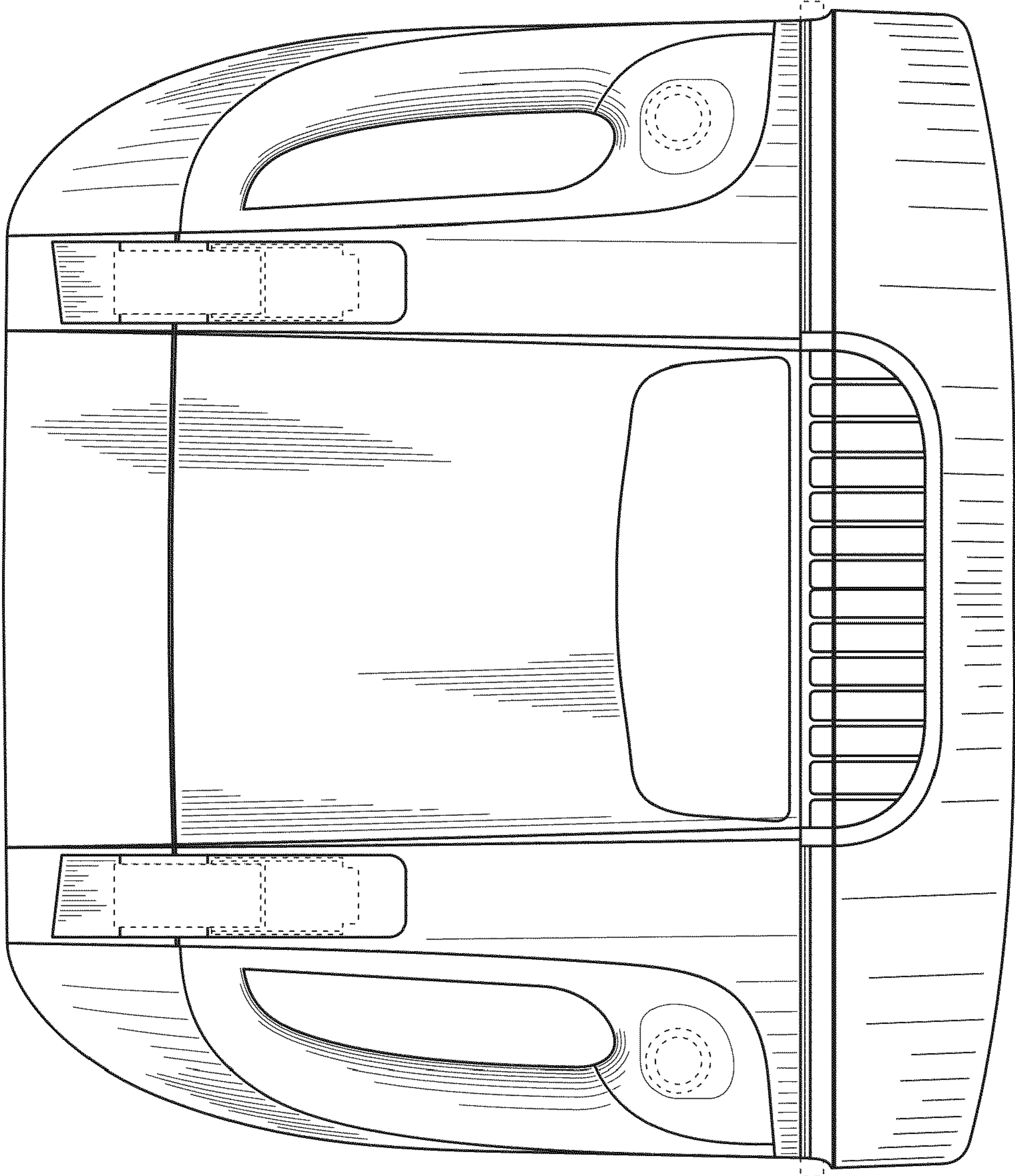


FIG. 2

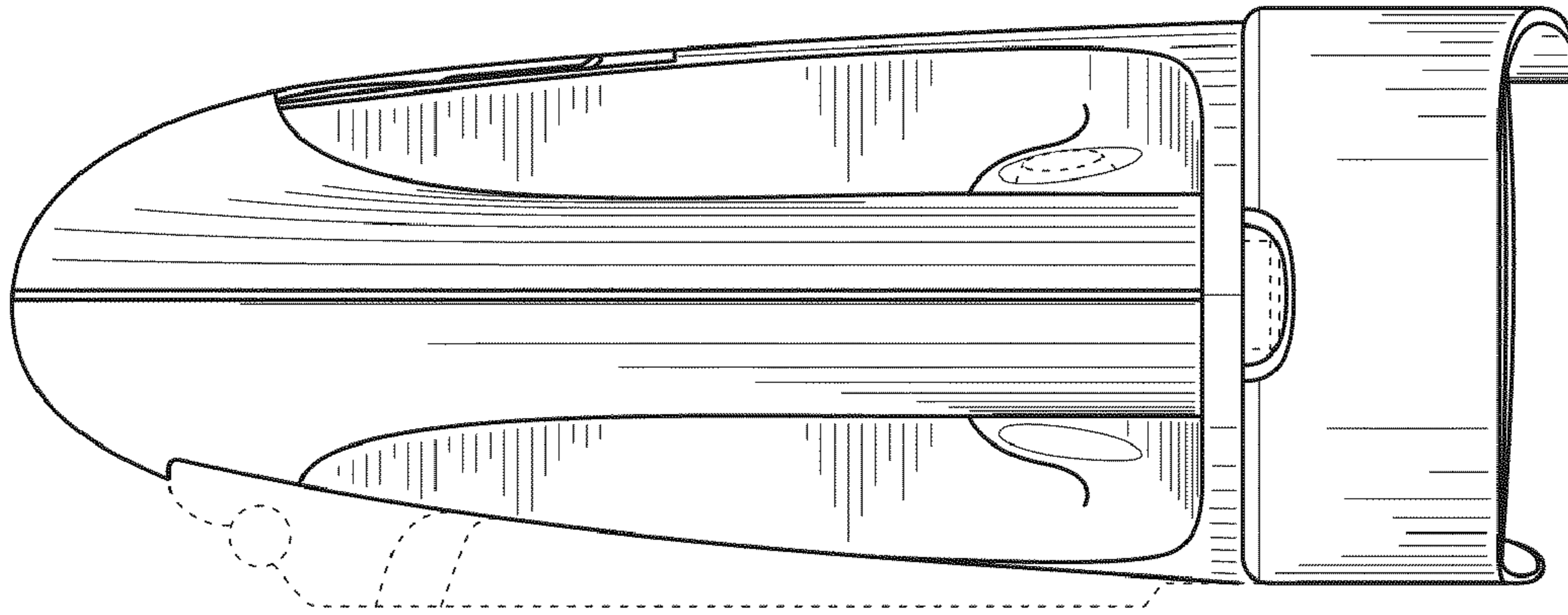


FIG. 3

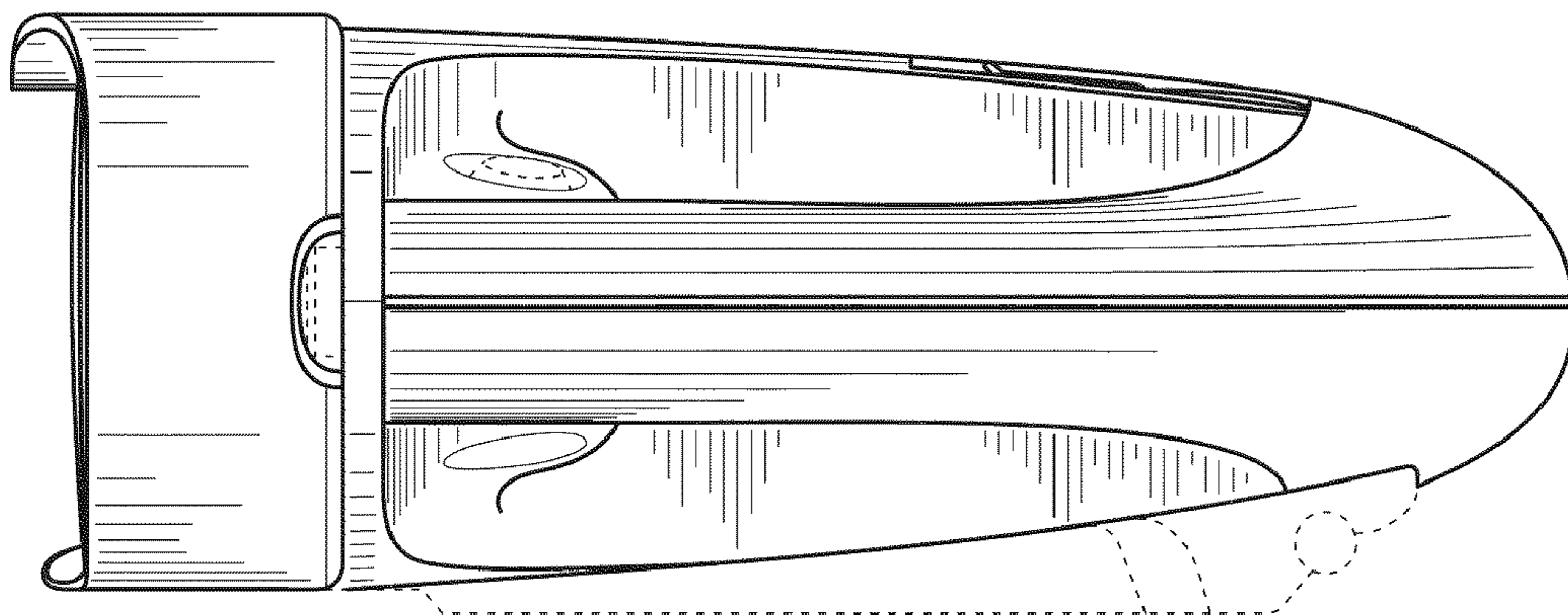


FIG. 4

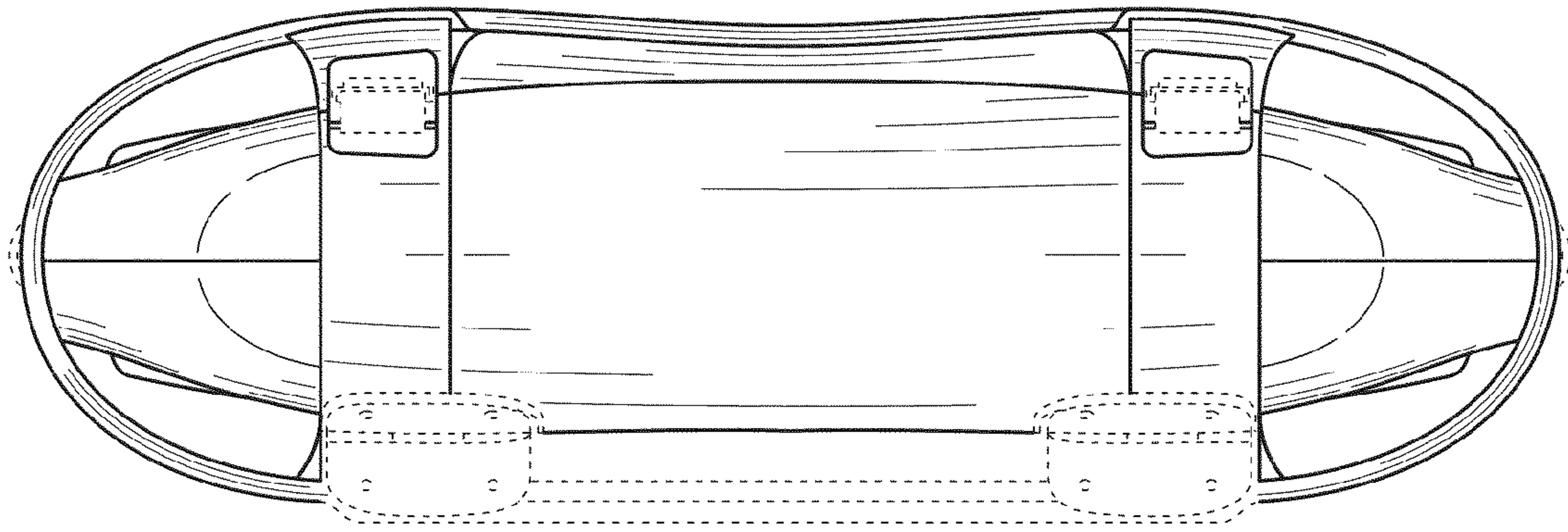


FIG. 5

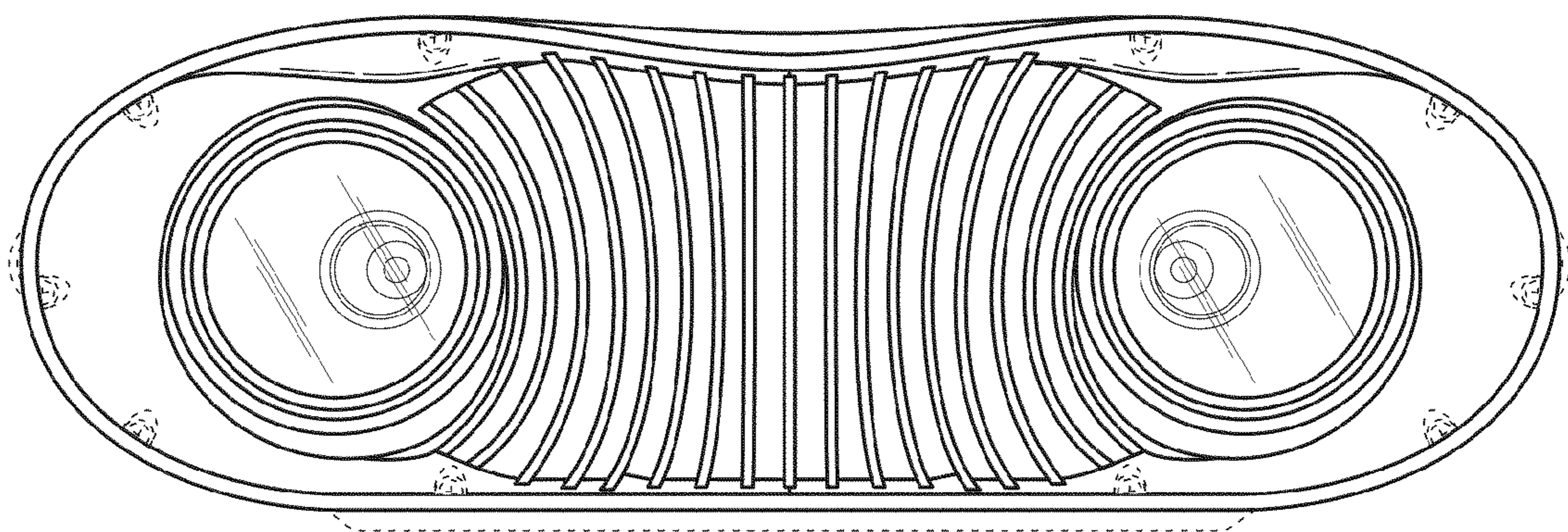


FIG. 6

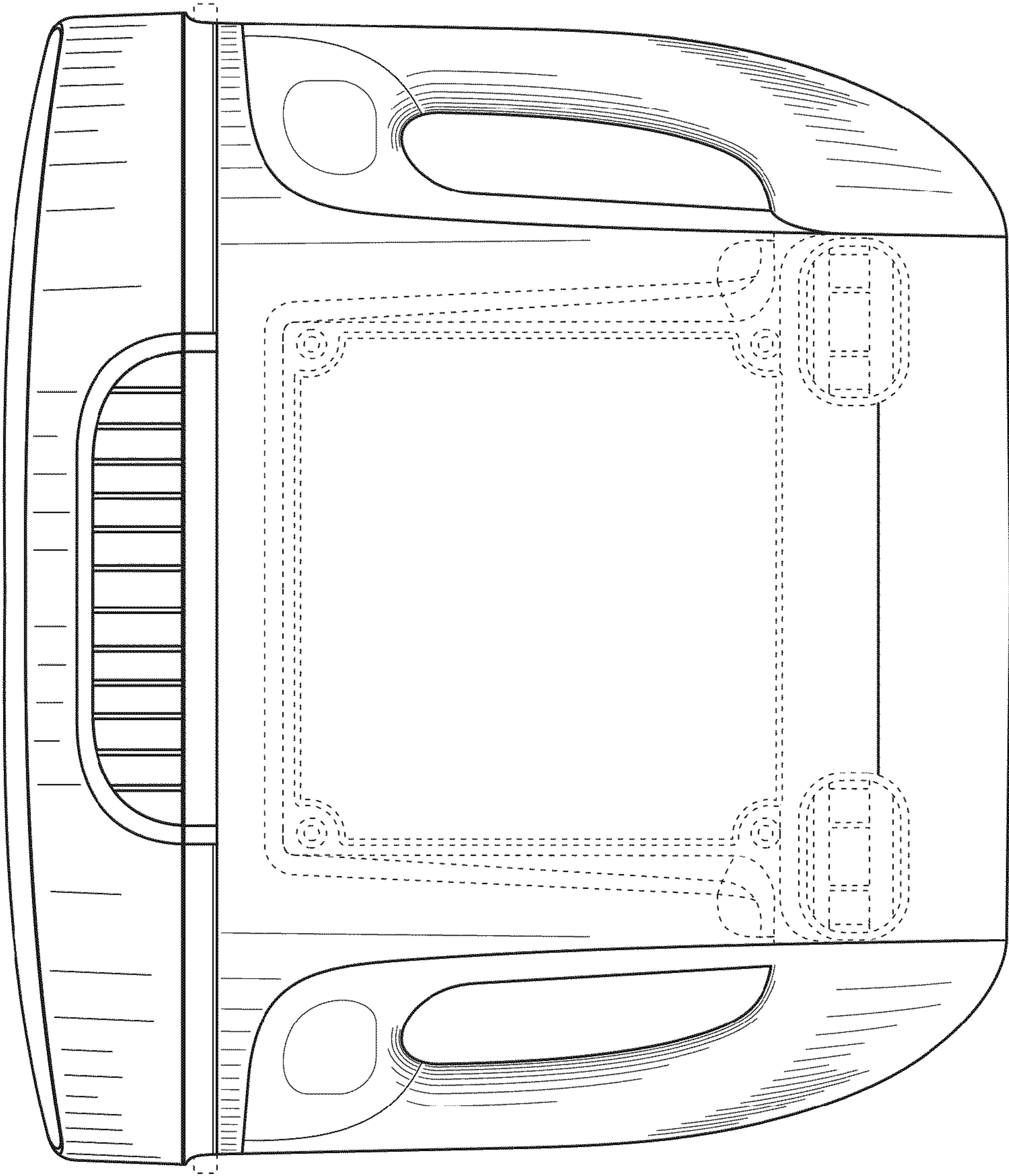


FIG. 7