



US00D654816S

(12) **United States Design Patent**
MacKay et al.

(10) **Patent No.:** **US D654,816 S**

(45) **Date of Patent:** **** Feb. 28, 2012**

(54) **PAYMENT SENSOR FOR A PARKING METER**

(75) Inventors: **George Allan MacKay**, New Glasgow (CA); **Shamus John Angus McLarty**, Halifax (CA)

(73) Assignee: **J.J. MacKay Canada Limited (CA)**

(**) Term: **14 Years**

(21) Appl. No.: **29/367,429**

(22) Filed: **Aug. 6, 2010**

(30) **Foreign Application Priority Data**

Feb. 11, 2010 (CA) 134042

(51) **LOC (9) Cl.** **10-03**

(52) **U.S. Cl.** **D10/42; D10/122**

(58) **Field of Classification Search** D10/42,
D10/122; 368/90, 92; 194/900, 902, 217;
D14/420, 421, 423; D99/28, 35, 43
See application file for complete search history.

(56) **References Cited**

U.S. PATENT DOCUMENTS

D340,038	S	*	10/1993	Venne et al.	D14/420
D381,976	S	*	8/1997	Sandor et al.	D14/420
D391,238	S	*	2/1998	Sakata	D14/420
5,805,083	A	*	9/1998	Sutton et al.	340/932.2
D404,025	S	*	1/1999	Van Horne et al.	D14/331
D413,311	S	*	8/1999	Blalock	D14/420
D448,910	S	*	10/2001	Kit et al.	D99/28
6,354,425	B1	*	3/2002	Tuxen et al.	194/350
D461,728	S	*	8/2002	Tuxen et al.	D10/42

6,747,575	B2	*	6/2004	Chauvin et al.	340/932.2
6,874,340	B1	*	4/2005	Berman	70/161
D587,141	S	*	2/2009	King et al.	D10/42
D602,225	S	*	10/2009	Lute et al.	D99/28
D615,274	S	*	5/2010	Kim et al.	D99/28
D617,799	S	*	6/2010	Odhe et al.	D14/420
7,854,310	B2	*	12/2010	King et al.	194/350

FOREIGN PATENT DOCUMENTS

WO WO 2007063530 A2 * 6/2007

* cited by examiner

Primary Examiner — Lucy Lieberman

(74) *Attorney, Agent, or Firm* — Hayes Soloway P.C.

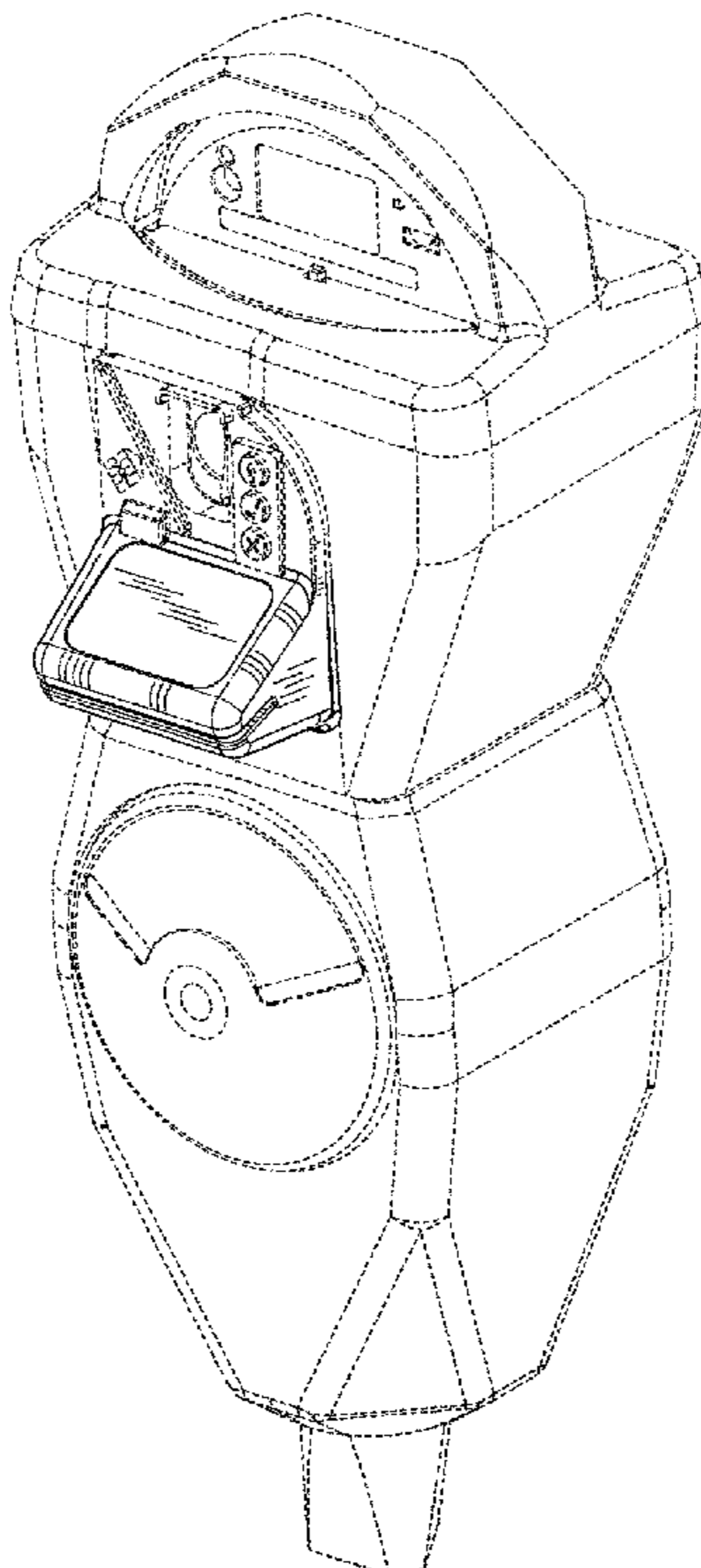
(57) **CLAIM**

The ornamental design for a payment sensor for a parking meter, as shown and described.

DESCRIPTION

FIG. 1 is a front view of the payment sensor for a parking meter;
FIG. 2 is a right side view of the payment sensor for a parking meter;
FIG. 3 is a left side view of the payment sensor for a parking meter;
FIG. 4 is a top plan view of the payment sensor for a parking meter; and,
FIG. 5 is a front perspective view of the payment sensor for a parking meter.
The broken lines are for the purpose of illustrating location of the cover and form no part of the claimed design.

1 Claim, 3 Drawing Sheets



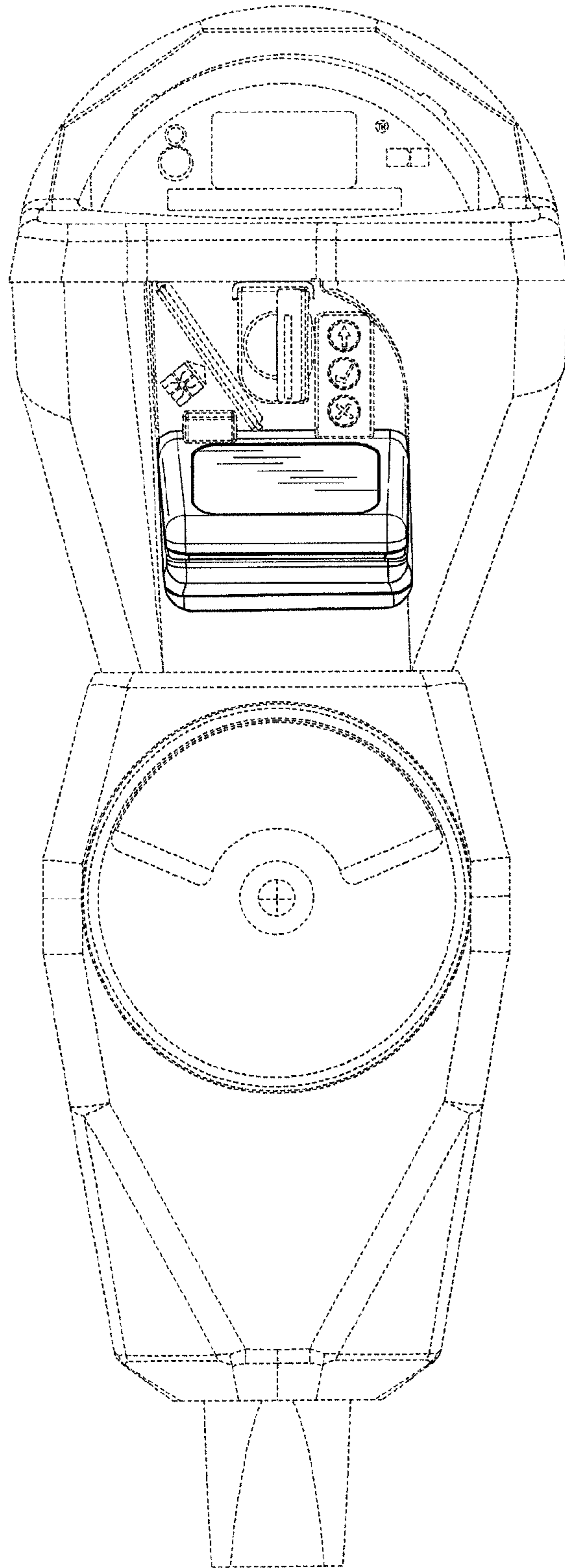


FIG. 1

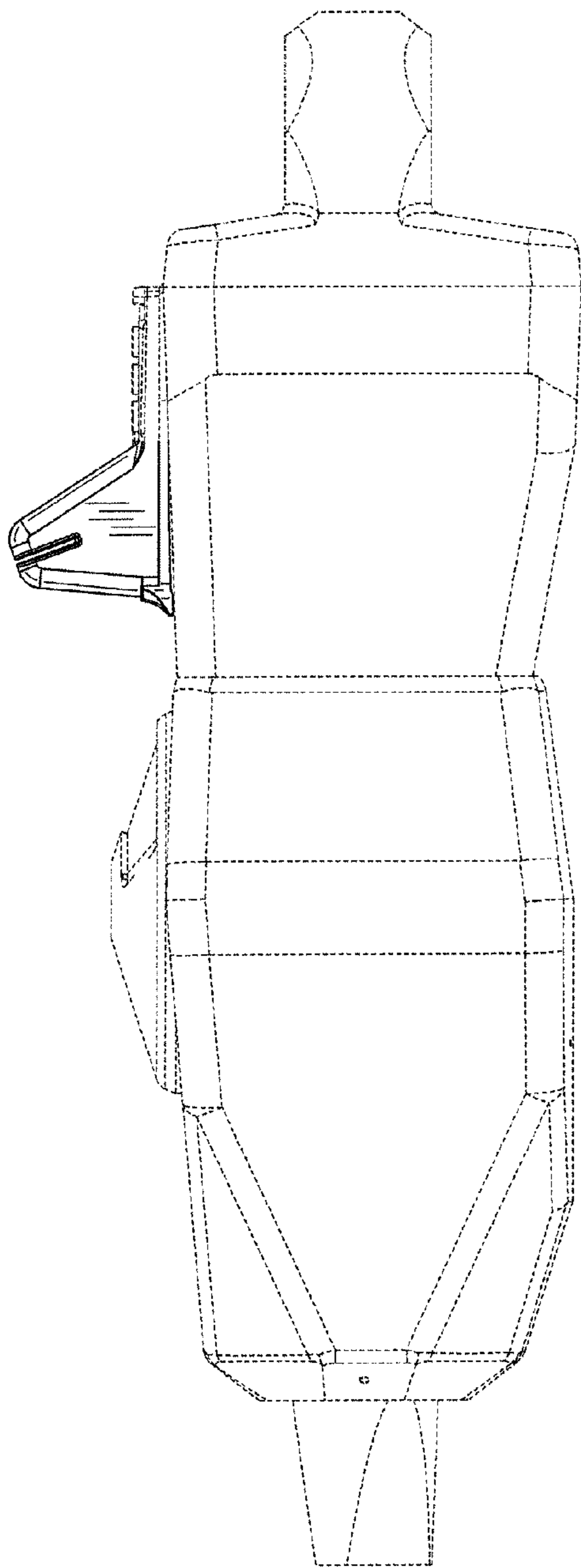


FIG. 2

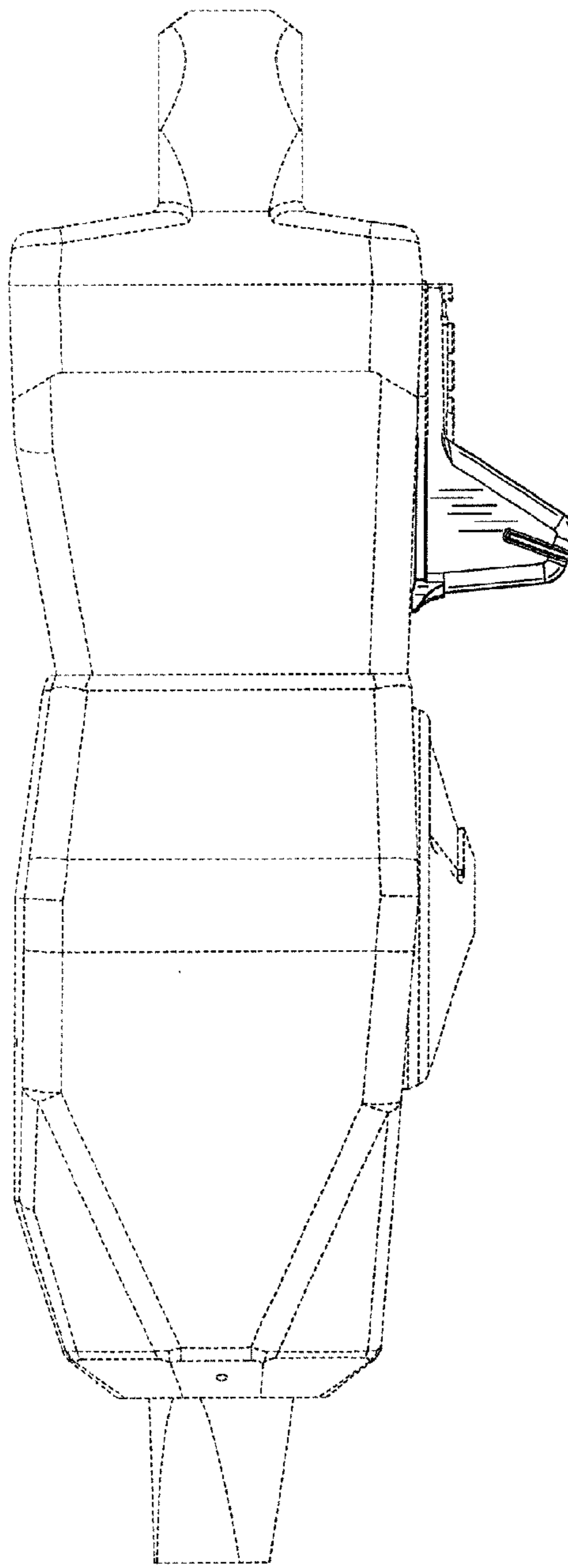


FIG. 3

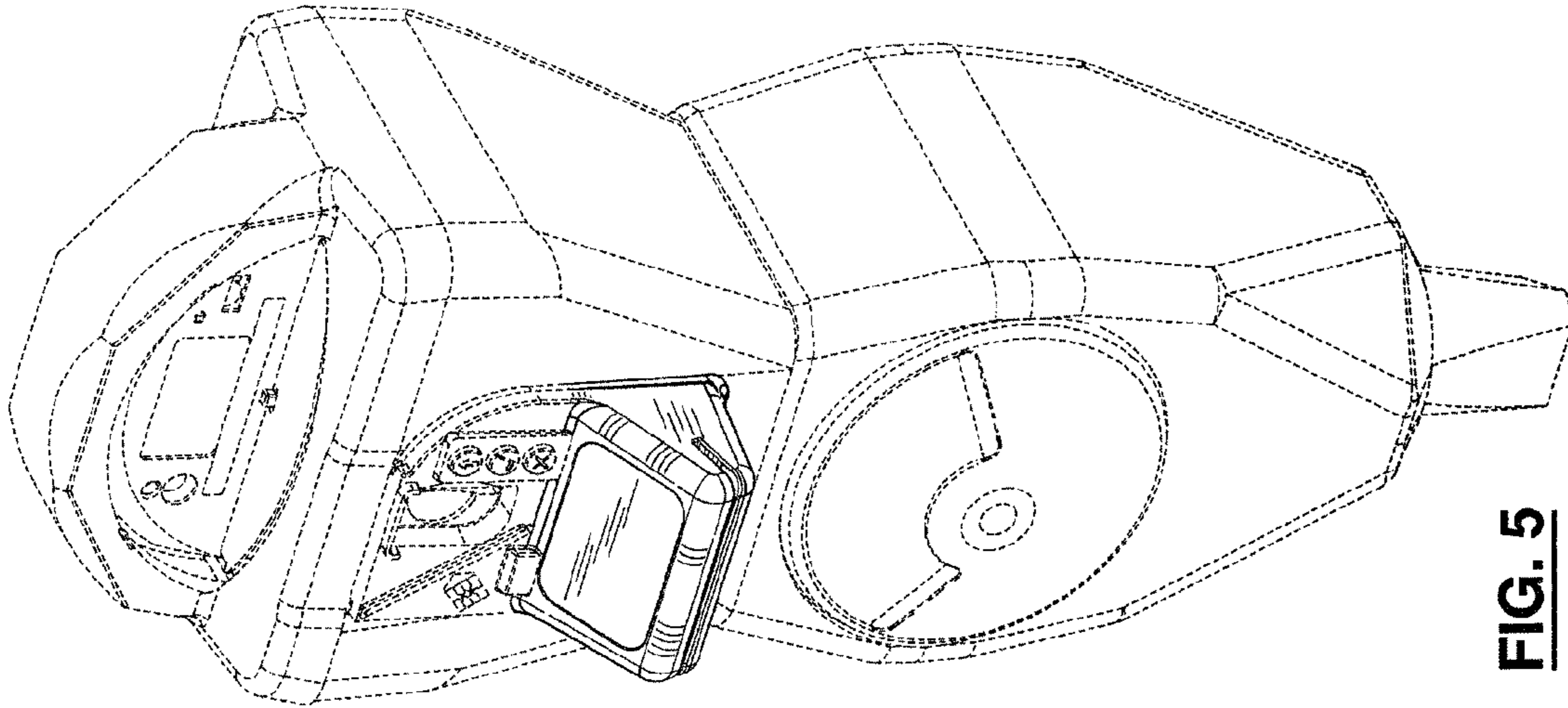


FIG. 5

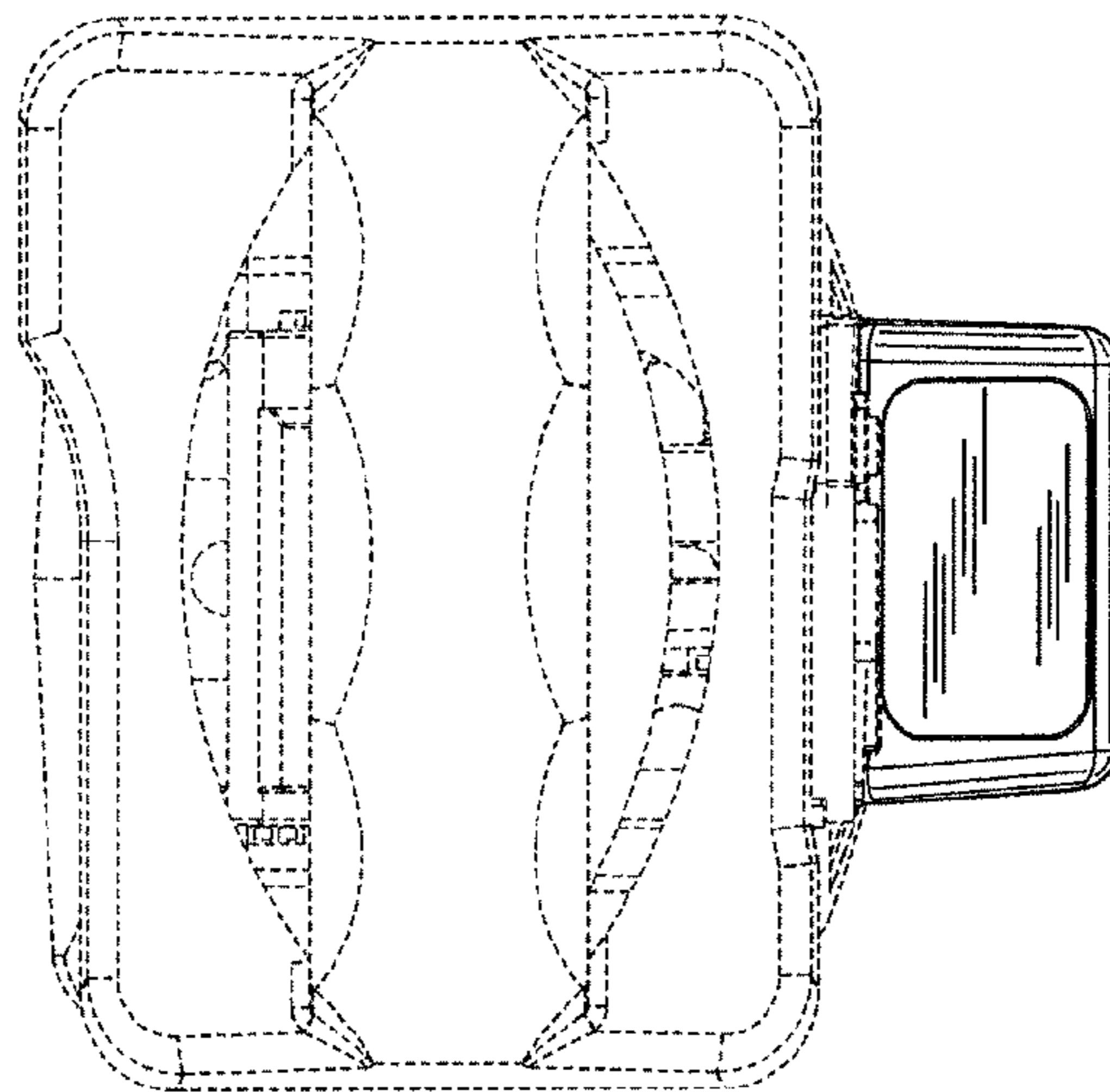


FIG. 4