



US00D654805S

(12) **United States Design Patent**  
**Lua**

(10) **Patent No.:** **US D654,805 S**  
(45) **Date of Patent:** **\*\* Feb. 28, 2012**

(54) **SPRAY DISPENSING CONTAINER**

(75) Inventor: **James Lua**, Columbus, OH (US)

(73) Assignee: **R. J. Reynolds Tobacco Company**,  
Winston-Salem, NC (US)

(\*\*) Term: **14 Years**

(21) Appl. No.: **29/387,231**

(22) Filed: **Mar. 10, 2011**

(51) **LOC (9) Cl.** ..... **09-01**

(52) **U.S. Cl.** ..... **D9/686; D9/687**

(58) **Field of Classification Search** ..... D9/682-694,  
D9/516-575, 434-455, 723-729, 715, 717,  
D9/719, 730-733, 420-423; D28/5, 76,  
D28/77, 91.1, 78, 79; 222/129, 135, 153.01,  
222/153.03, 153.04, 153.09, 153.11-153.14,  
222/182, 631, 635, 209, 211-213, 215, 321.7-321.9,  
222/372, 373, 378, 379, 383.1, 384-386,  
222/398, 400.7, 400.8, 401, 402.1-402.25;  
D24/108, 110, 110.5; 128/200.12, 200.14,  
128/200.17-200.23, 203.12-203.24; D27/139,  
D27/141-161, 172, 183-194

See application file for complete search history.

(56) **References Cited**

**U.S. PATENT DOCUMENTS**

D4,460 S *	11/1870	Kilburn	.....	D6/440
D120,746 S *	5/1940	Trevisan	.....	D9/423
D150,826 S *	9/1948	Bugbee	.....	D28/77
D182,860 S *	5/1958	Szajna	.....	D9/724
D240,391 S *	7/1976	Koenigsberg	.....	D9/652
D248,046 S *	5/1978	Tada	.....	D24/113
D256,435 S *	8/1980	Payne	.....	D9/420
D299,561 S *	1/1989	Bakic	.....	D28/78
5,692,492 A *	12/1997	Bruna et al.	.....	128/200.23
D414,683 S	10/1999	DeJong et al.		
D441,611 S *	5/2001	Hudson et al.	.....	D7/538
6,712,244 B1	3/2004	Sallows et al.		
D492,588 S *	7/2004	Herrmann	.....	D7/682
D499,802 S *	12/2004	Pinon et al.	.....	D24/110
6,871,798 B2	3/2005	Mathiez		
D518,171 S *	3/2006	Anderson et al.	.....	D24/110

7,025,232 B2	4/2006	Green	
D541,170 S	4/2007	Bloc	
7,249,720 B2	7/2007	Mathiez	
D585,541 S *	1/2009	Petersen	..... D24/110
D608,218 S	1/2010	Llewellyn et al.	
D625,801 S *	10/2010	Pidgeon et al.	..... D24/108
D629,887 S *	12/2010	Adamo et al.	..... D24/110.5
D634,204 S	3/2011	Llewellyn et al.	
D636,073 S *	4/2011	White et al.	..... D24/110
D641,076 S *	7/2011	Grunstad et al.	..... D24/110
2006/0231453 A1	10/2006	Grant et al.	
2007/0181123 A1 *	8/2007	Houzego	..... 128/203.15
2011/0049188 A1	3/2011	Parisi et al.	

**FOREIGN PATENT DOCUMENTS**

WO	WO 2004/037435	5/2004
WO	WO 2004/080515	9/2004
WO	WO 2008/037470	4/2008

\* cited by examiner

*Primary Examiner* — Catherine Tuttle

(74) *Attorney, Agent, or Firm* — Womble Carlyle Sandridge & Rice, LLP

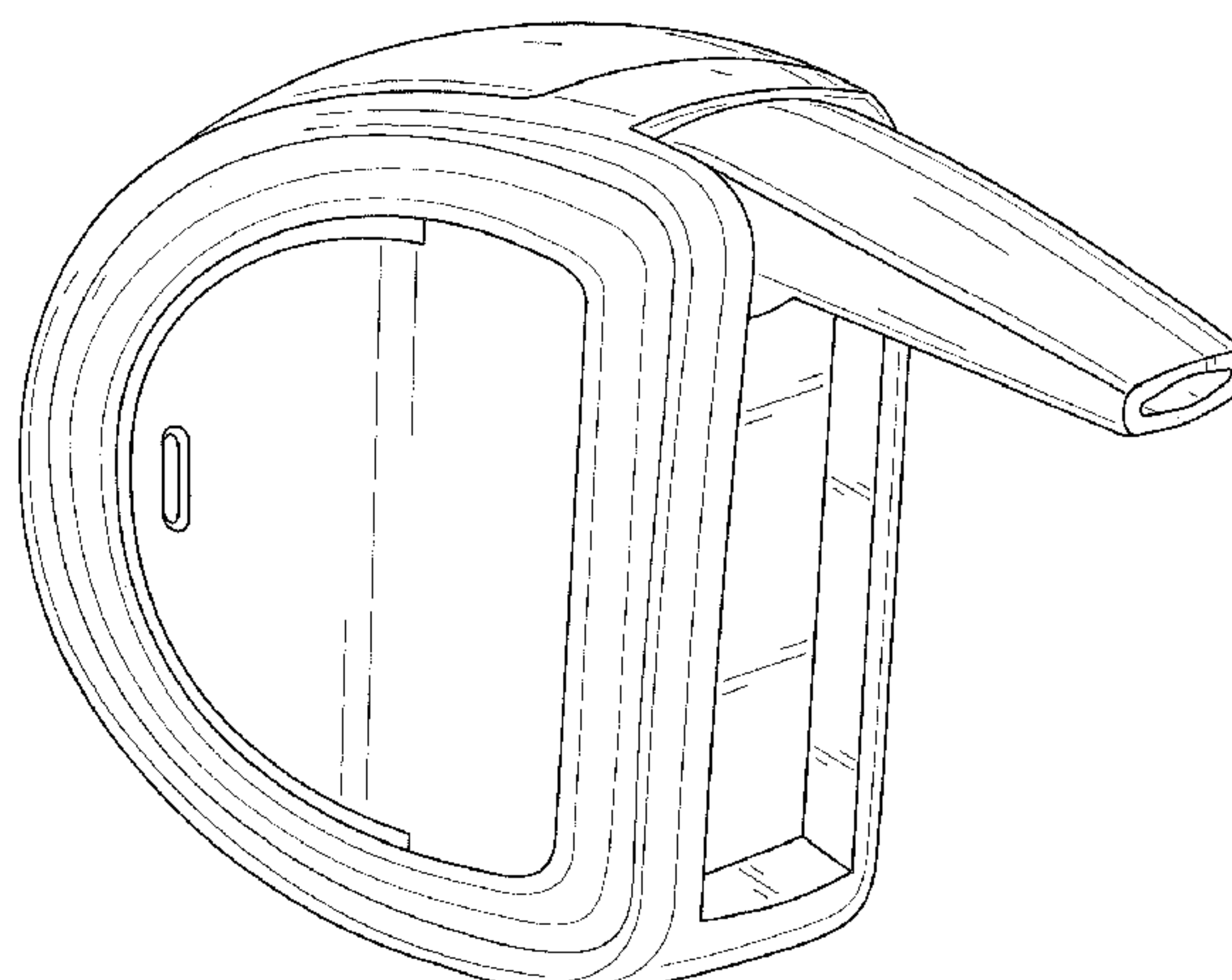
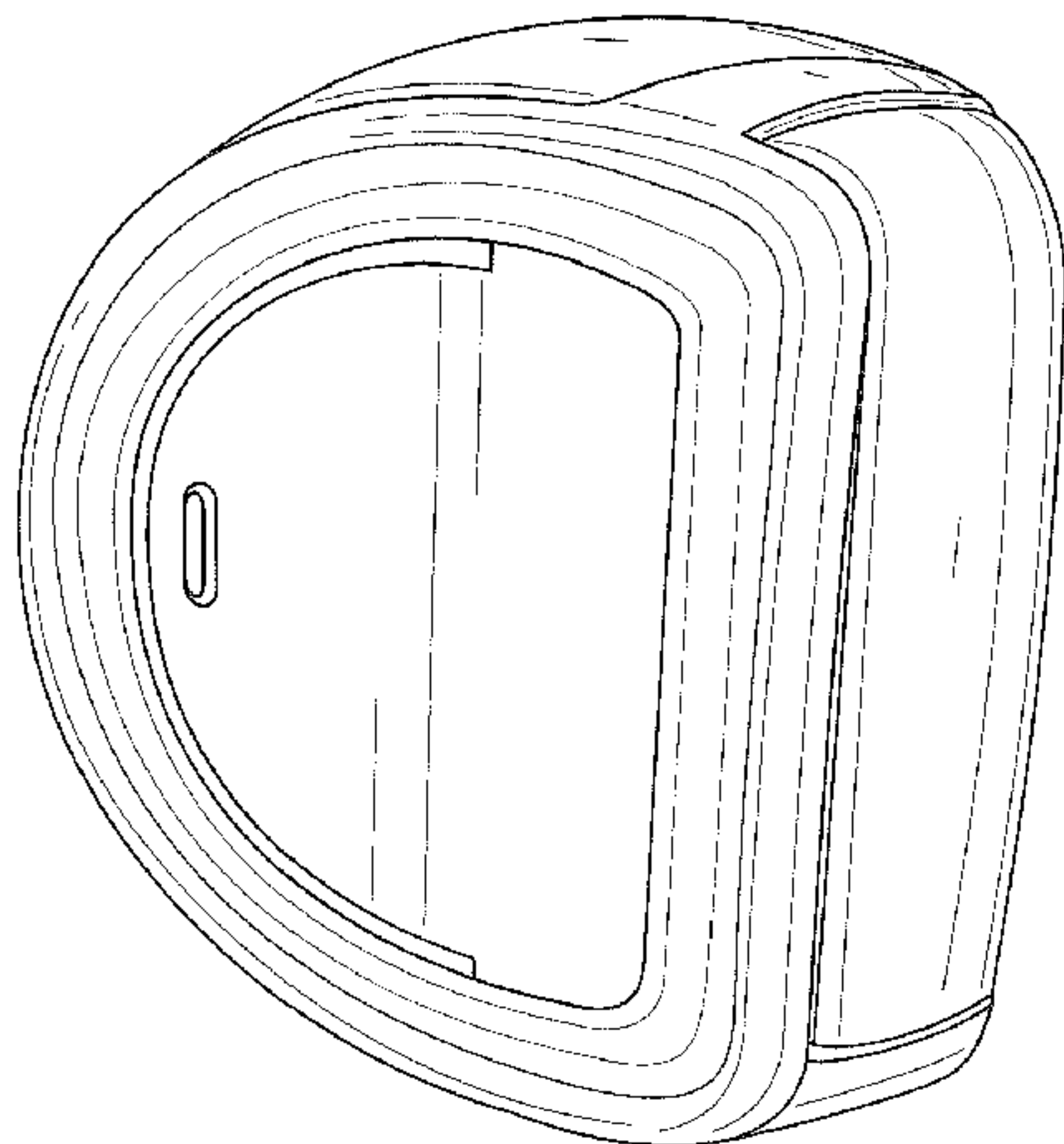
(57) **CLAIM**

The ornamental design for a spray dispensing container, as shown and described.

**DESCRIPTION**

FIG. 1 is a top, front perspective view of a spray dispensing container showing my new design in a closed configuration; FIG. 2 is a side view thereof; FIG. 3 is a side view thereof, wherein the container is rotated along a horizontal axis 180° in relation to the view illustrated in FIG. 2; FIG. 4 is a rear view thereof; FIG. 5 is a front view thereof; FIG. 6 is a top plan view thereof; FIG. 7 is a bottom plan view thereof; FIG. 8 is a top, front perspective view showing my design in an open configuration; and, FIG. 9 is a bottom, rear perspective view of the closed spray dispensing container shown in FIGS. 1-7.

**1 Claim, 7 Drawing Sheets**



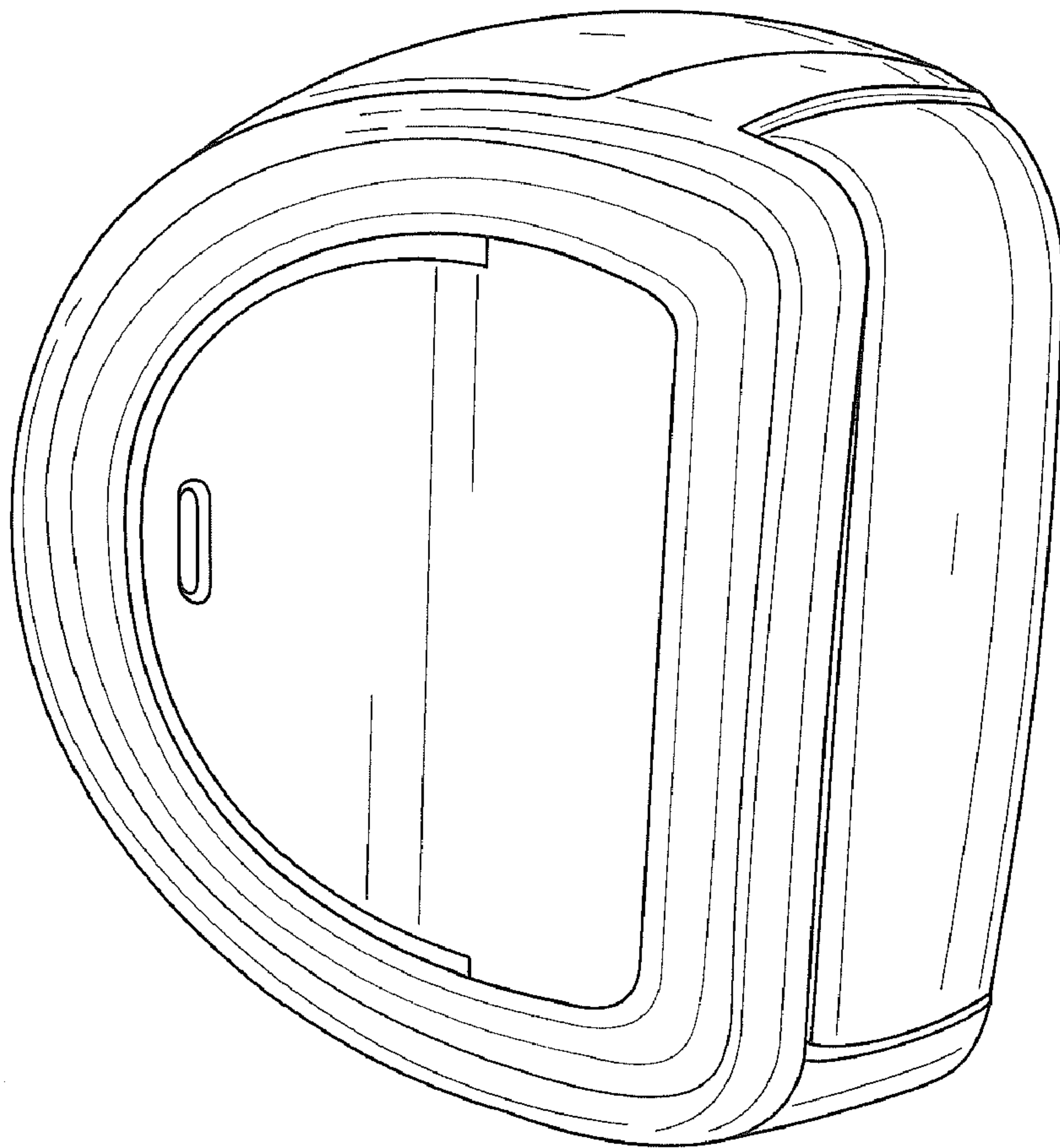


FIG. 1

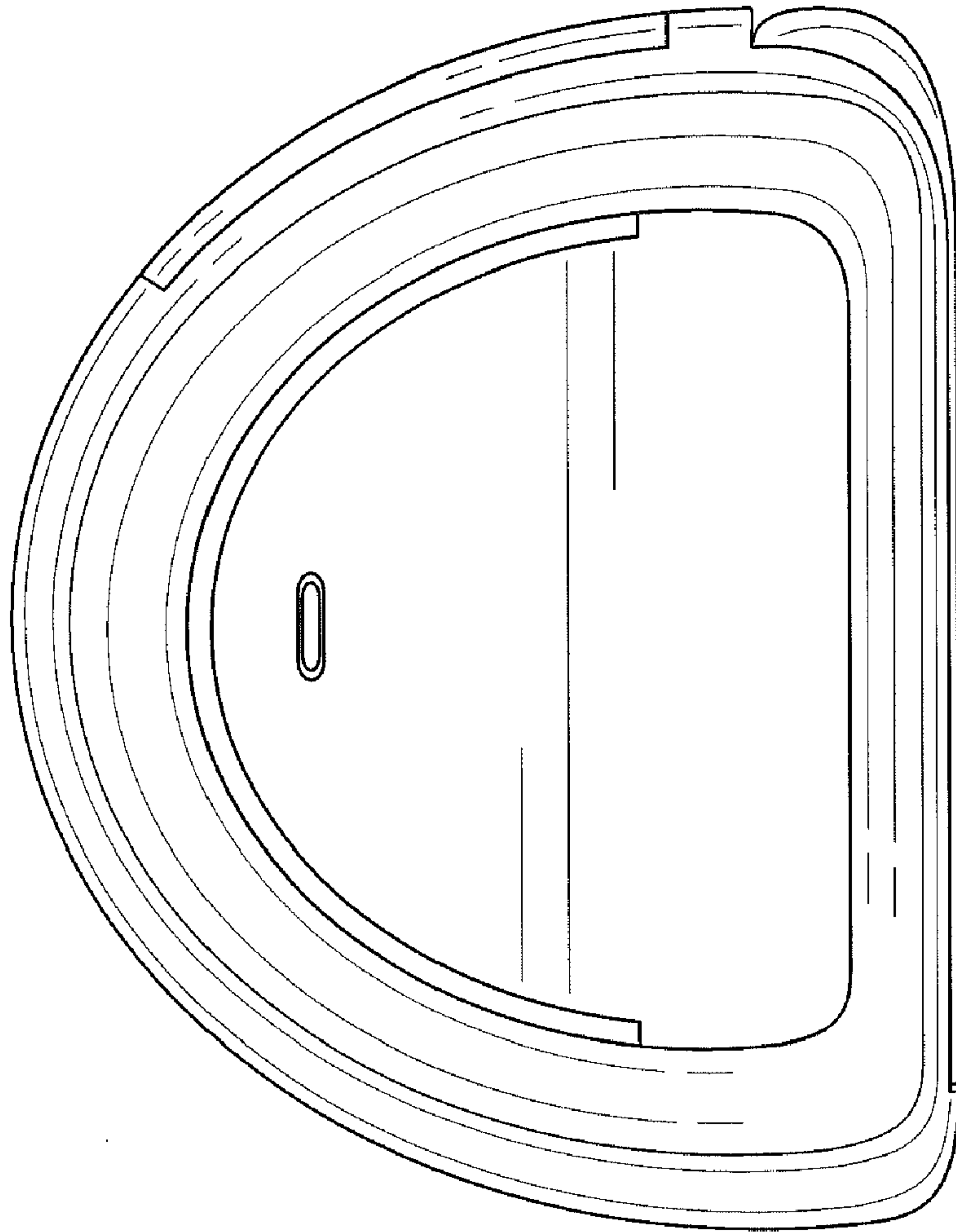


FIG. 2

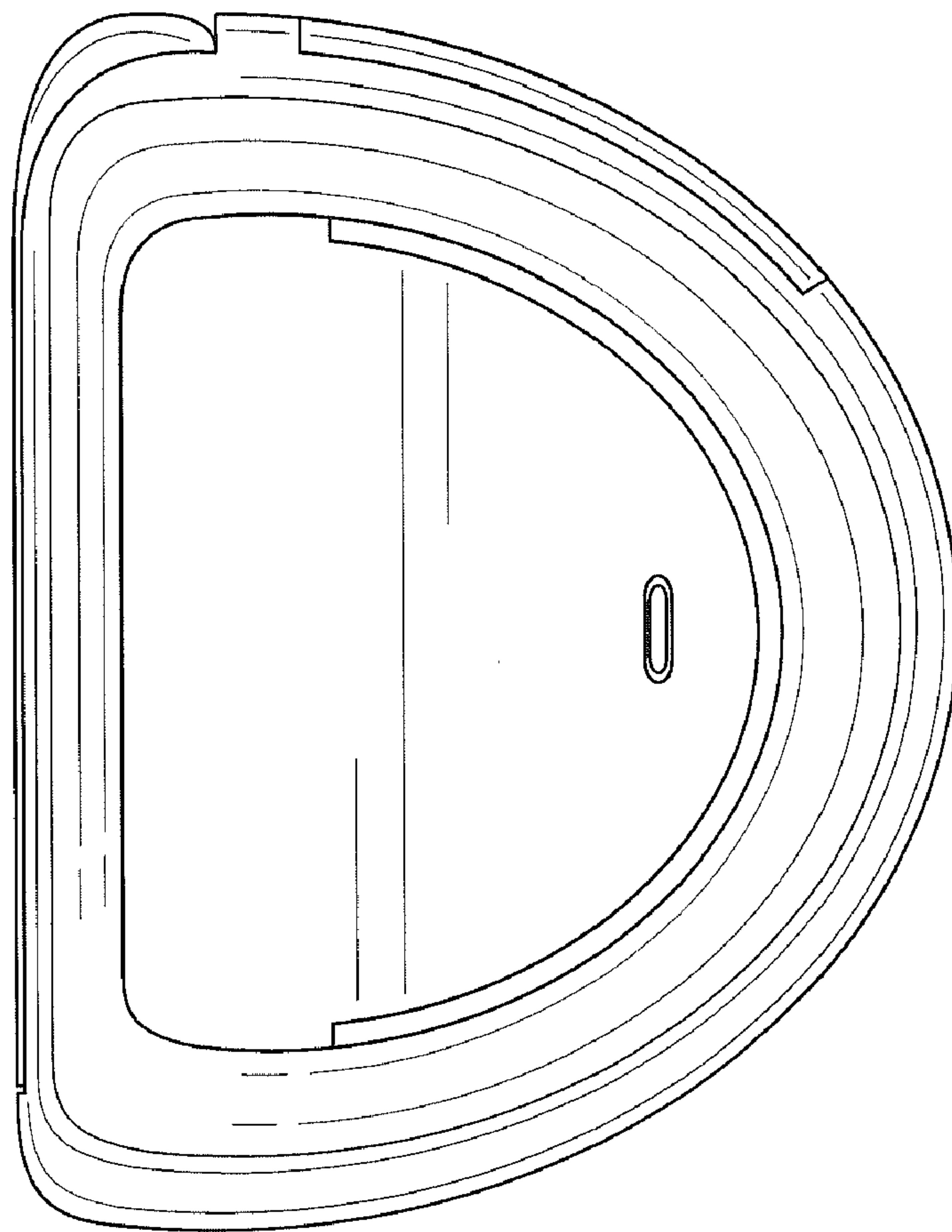


FIG. 3

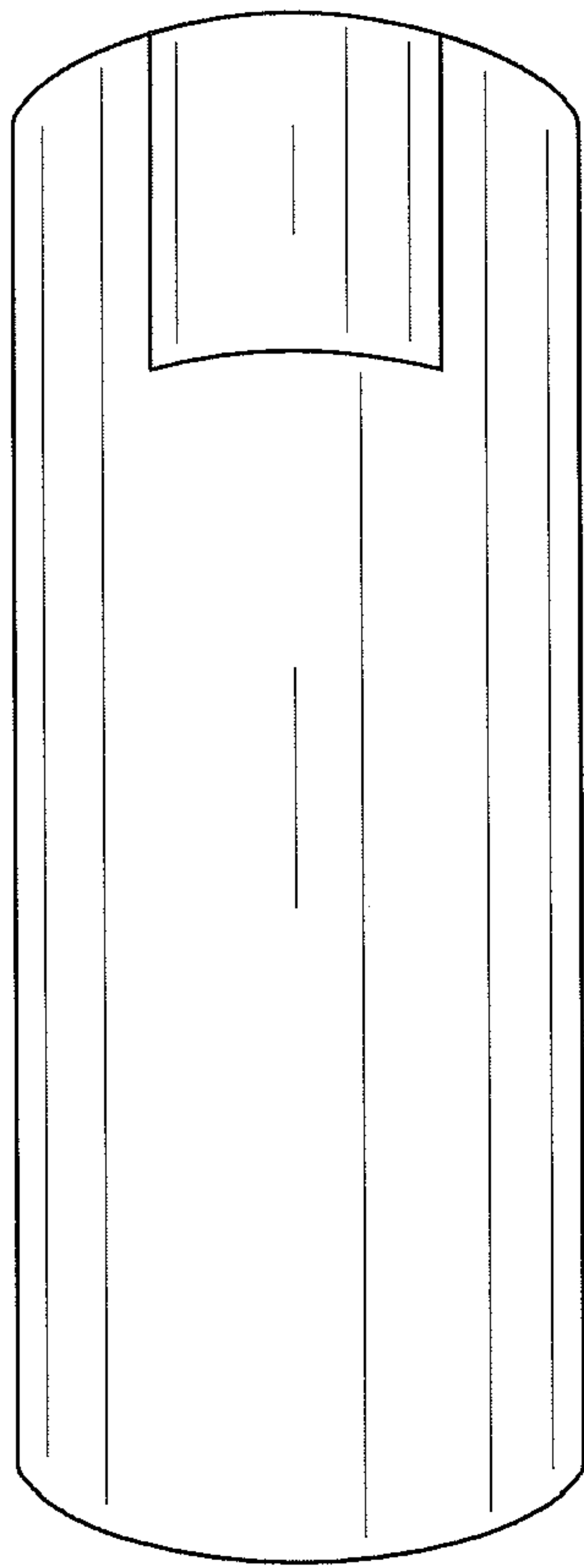


FIG. 4

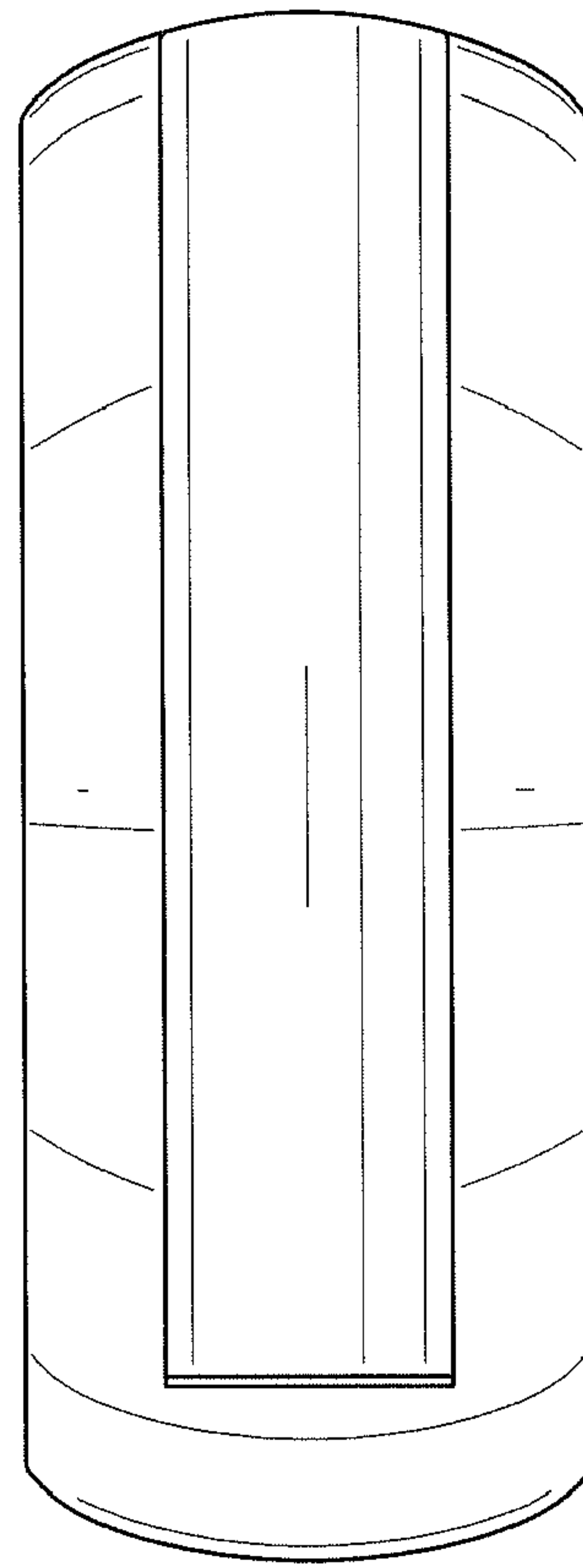


FIG. 5



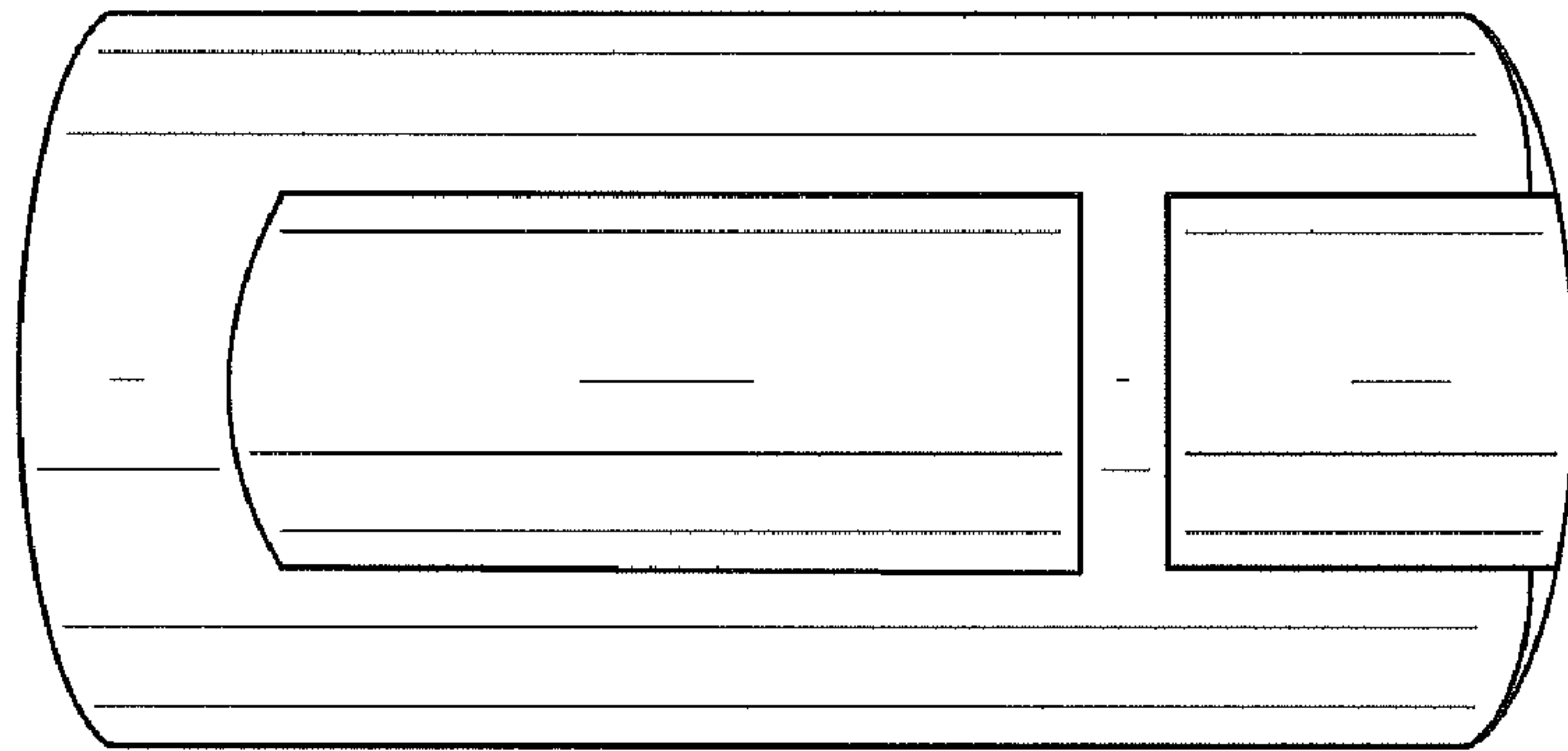


FIG. 6

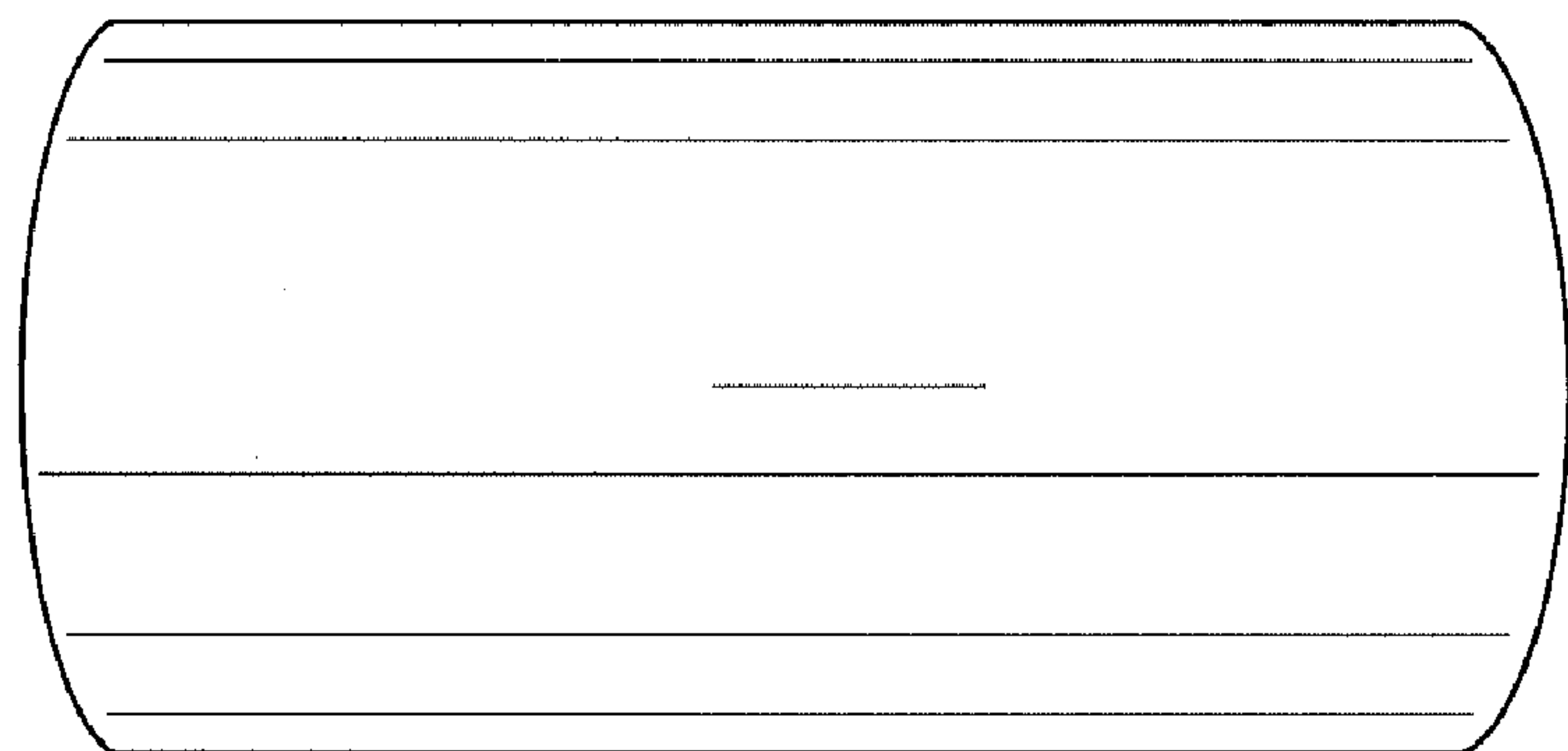


FIG. 7

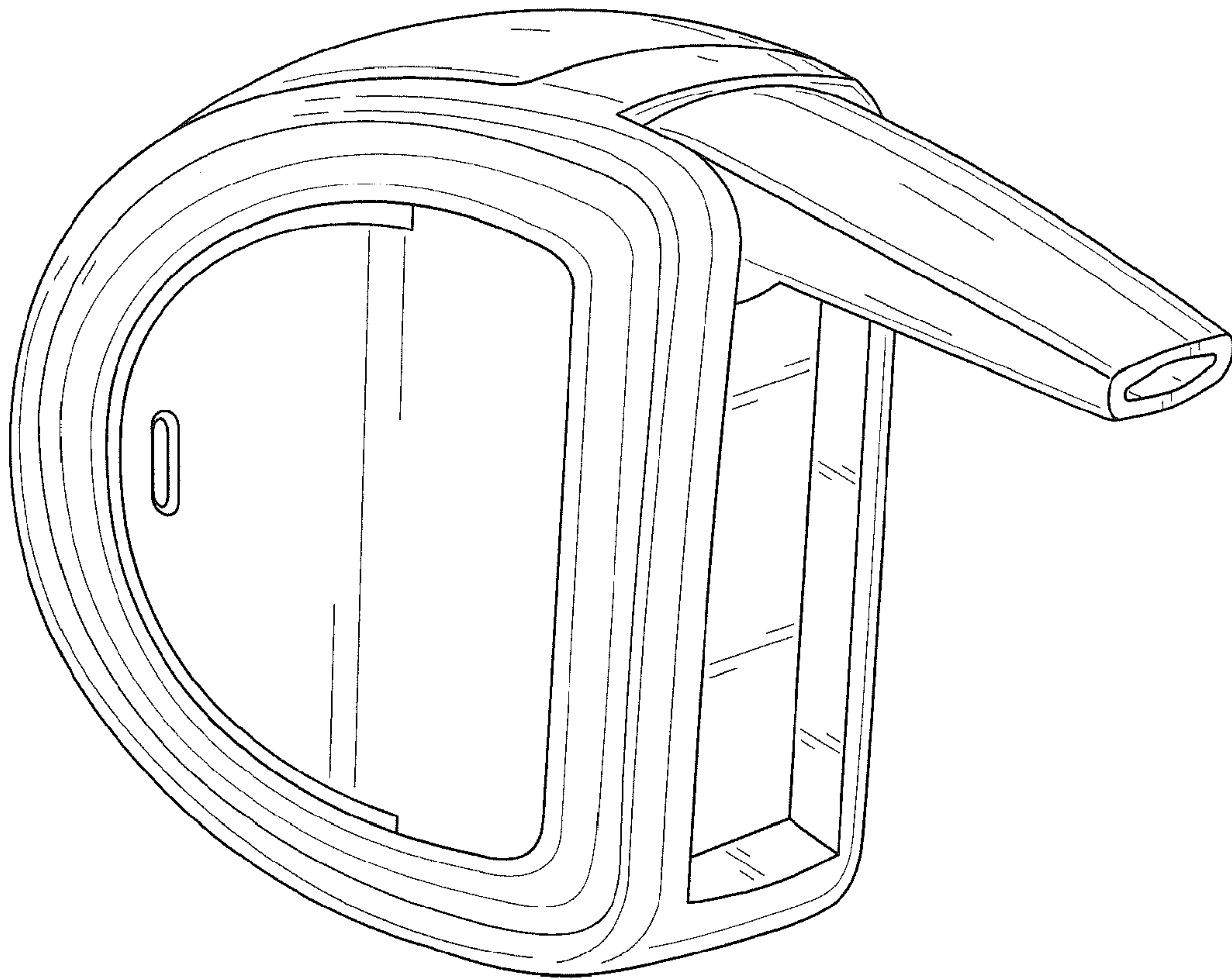


FIG. 8

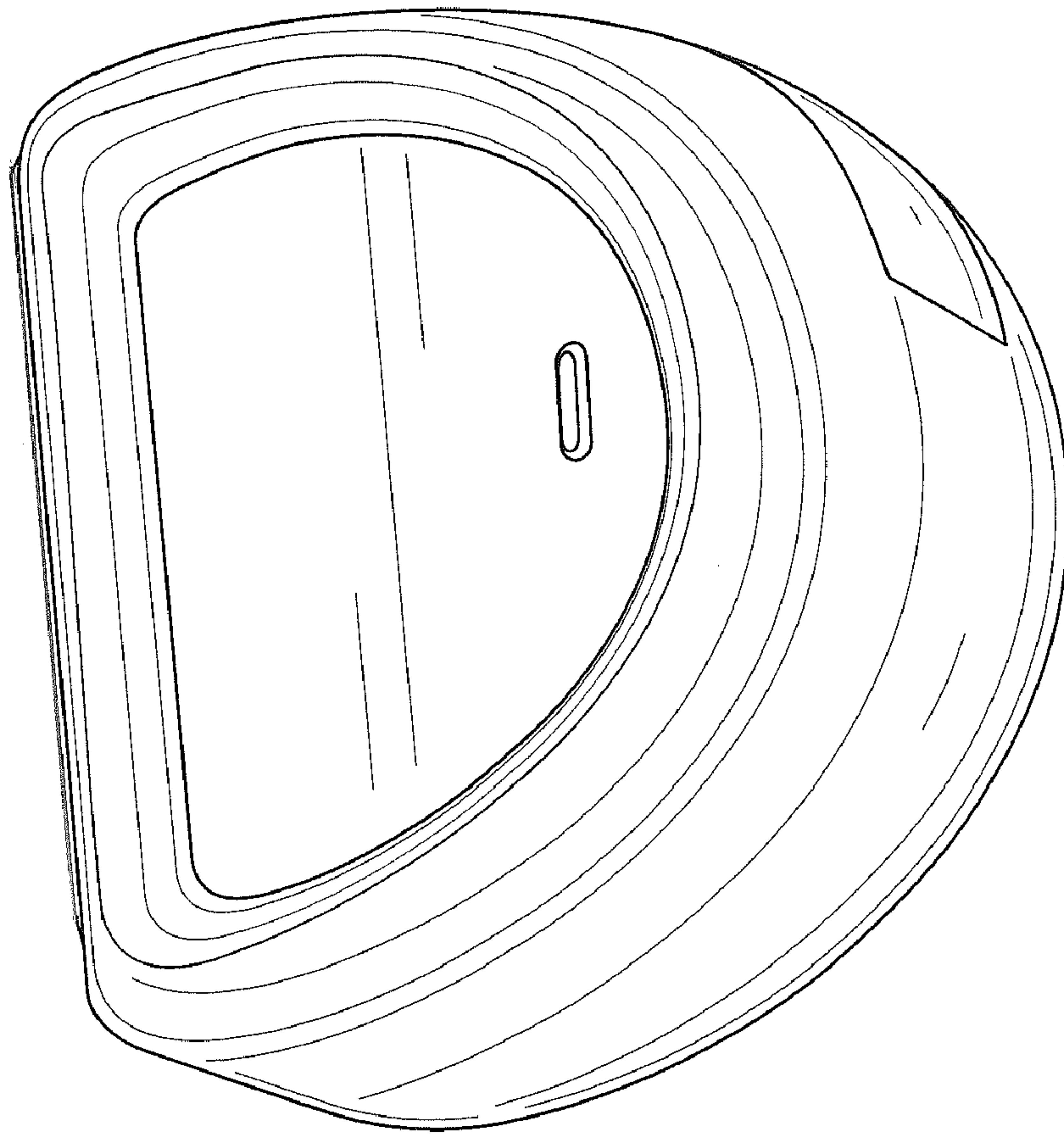


FIG. 9