



US00D654794S

(12) **United States Design Patent**
Morais et al.

(10) **Patent No.:** **US D654,794 S**

(45) **Date of Patent:** **** Feb. 28, 2012**

(54) **FLASK**

(75) Inventors: **Gabriela Dellia Bueno de Morais**, São Paulo (BR); **Marcio Miranda de Faria**, Vinhedo (BR); **Keila Bueno Ramos Pastrello**, São Paulo (BR); **Fabiana Tomás Pellicciari**, Sao Paulo (BR); **Frederico Gelli**, Rio de Janeiro (BR); **Érika Martins Freitas de Andrade**, Rio de Janeiro (BR); **Rodrigo Maia Gonçalves**, Niterói (BR)

(73) Assignee: **Natura Cosméticos S.A.**, Itapeverica de Serra SP (BR)

(**) Term: **14 Years**

(21) Appl. No.: **29/362,690**

(22) Filed: **May 28, 2010**

(30) **Foreign Application Priority Data**

Nov. 30, 2009 (BR) 6904475

(51) **LOC (9) Cl.** **09-01**

(52) **U.S. Cl.** **D9/500**

(58) **Field of Classification Search** D9/500,
D9/502-505, 516, 529-530, 537, 539-540,
D9/542, 544-545, 549, 558, 574, 682, 686,
D9/688-692, 684; D24/224; D7/590-591,
D7/596, 598, 601-602, 630; 215/379, 381-382;
220/660, 662, 669, 675

See application file for complete search history.

(56) **References Cited**

U.S. PATENT DOCUMENTS

D125,567 S * 3/1941 Grunberg D9/500
D178,808 S * 9/1956 Rosenak D9/500
D199,700 S * 12/1964 Lowrey D9/504
D211,563 S * 7/1968 Cherry D9/500
D224,731 S * 9/1972 Nathan D9/540
D233,982 S * 12/1974 De Graw D9/500
D235,312 S * 6/1975 Kretz D9/500
D237,778 S * 11/1975 Lorgues D9/500
D243,387 S * 2/1977 de Jouennes D7/300

D251,382 S * 3/1979 Reed D23/225
D253,038 S * 10/1979 Plummer D9/500
D257,579 S * 12/1980 Hayes D9/534
D264,937 S * 6/1982 Groark D9/500
D288,904 S * 3/1987 Weckman D9/500
D289,012 S * 3/1987 Strand D9/500
D334,711 S * 4/1993 Ekuan D9/503
D412,837 S * 8/1999 Blackburn D9/667
D483,264 S * 12/2003 Canepa D9/500
D550,080 S * 9/2007 Rica D9/500
D595,134 S * 6/2009 Rica D9/500
D614,492 S * 4/2010 Hermel D9/500

* cited by examiner

Primary Examiner — Ian Simmons

Assistant Examiner — Dana L Sipos

(74) *Attorney, Agent, or Firm* — B. Aaron Schulman, Esq.;
Stites & Harbison, PLLC

(57) **CLAIM**

The ornamental design for a flask, as shown and described.

DESCRIPTION

FIG. 1 is a perspective top view showing the new design for the flask.

FIG. 2 is a front view thereof.

FIG. 3 is a top view thereof.

FIG. 4 is a bottom view thereof.

FIG. 5 is a perspective top view showing an alternative embodiment of the new design for the flask.

FIG. 6 is a front view thereof.

FIG. 7 is a top view thereof.

FIG. 8 is a bottom view thereof.

FIG. 9 is a perspective top view showing an alternative embodiment of the new design for the flask.

FIG. 10 is a front view thereof.

FIG. 11 is a top view thereof.

FIG. 12 is a bottom view thereof.

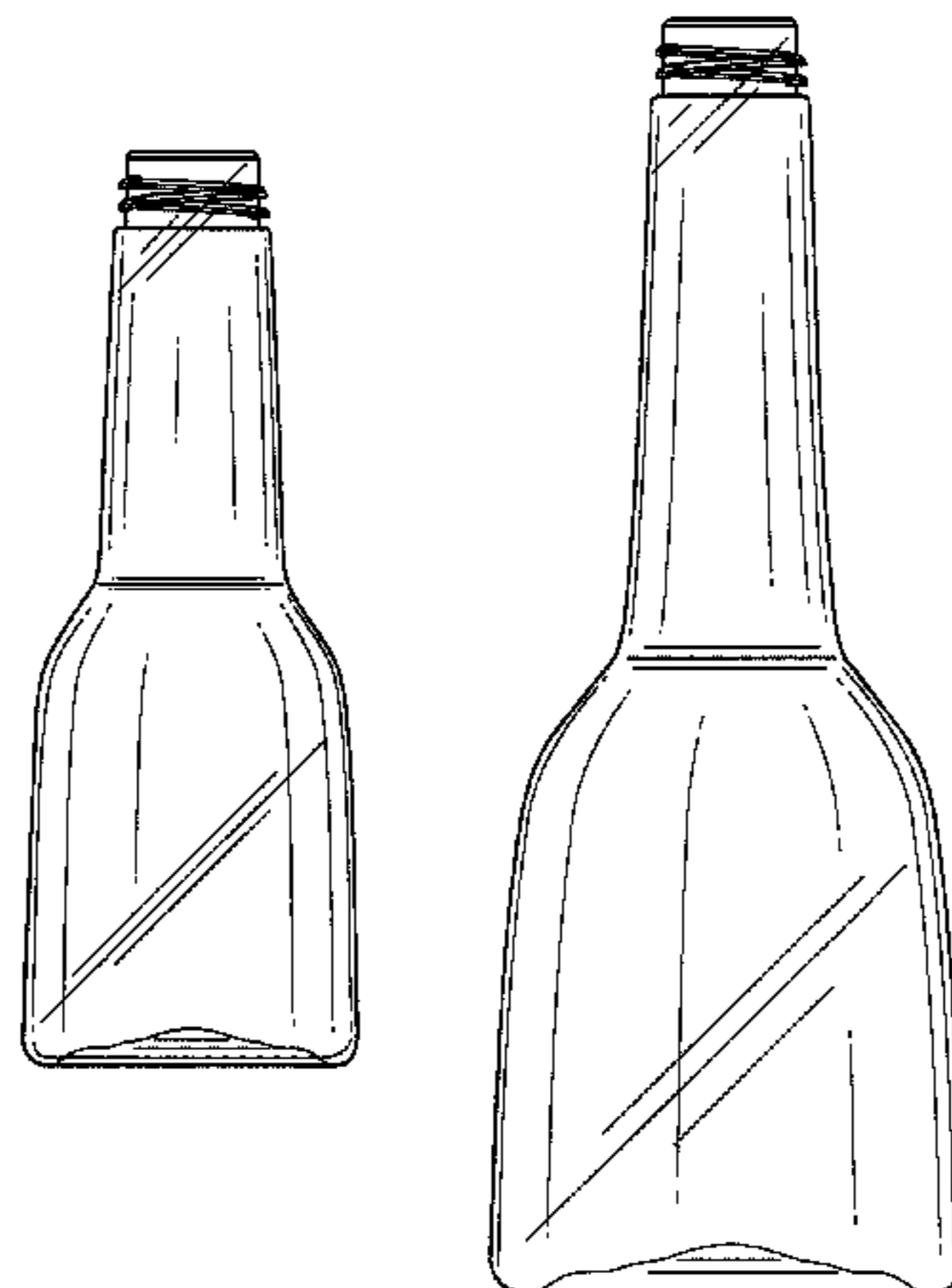
FIG. 13 is a perspective top view showing an alternative embodiment of the new design for the flask.

FIG. 14 is a front view thereof.

FIG. 15 is top view thereof; and,

FIG. 16 is a bottom view thereof.

1 Claim, 8 Drawing Sheets



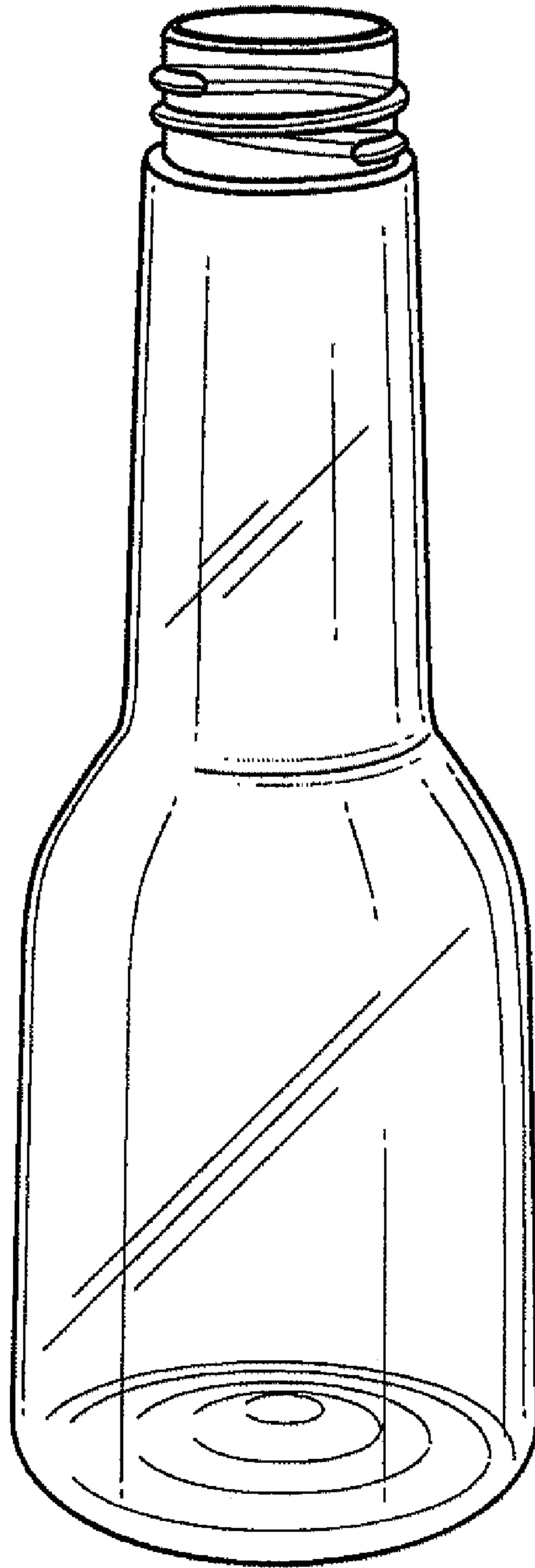


FIG. 1

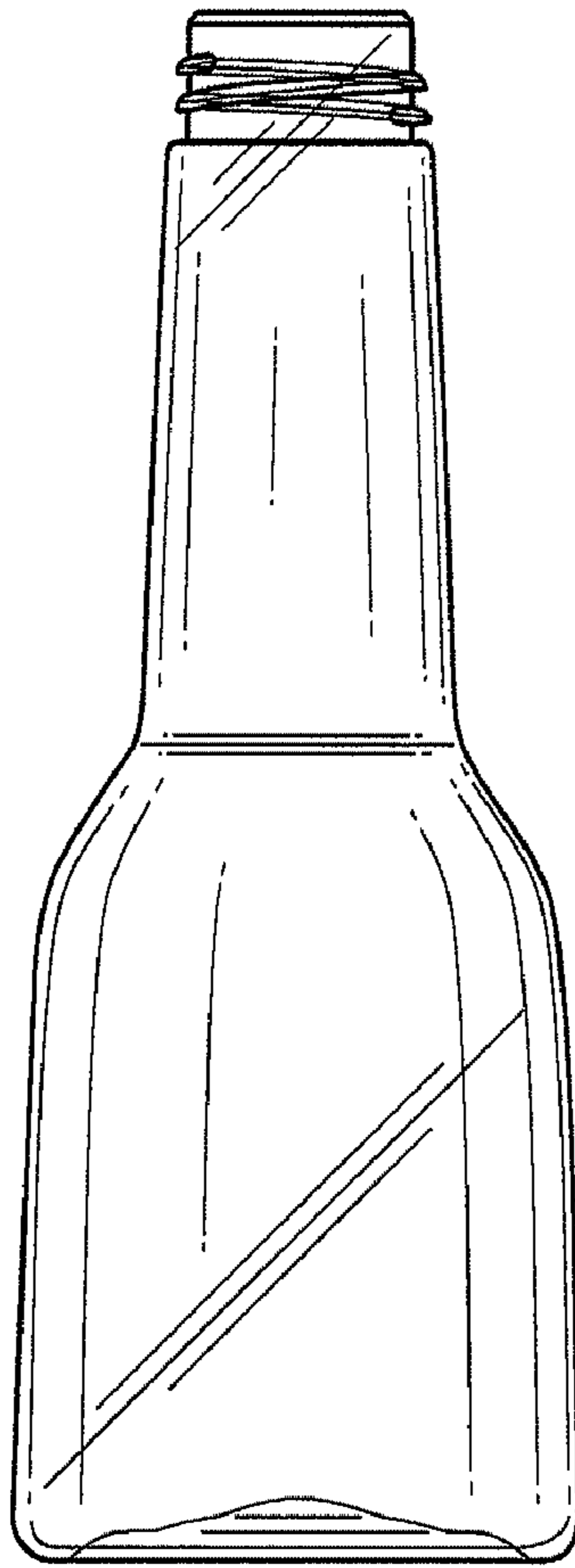


FIG. 2

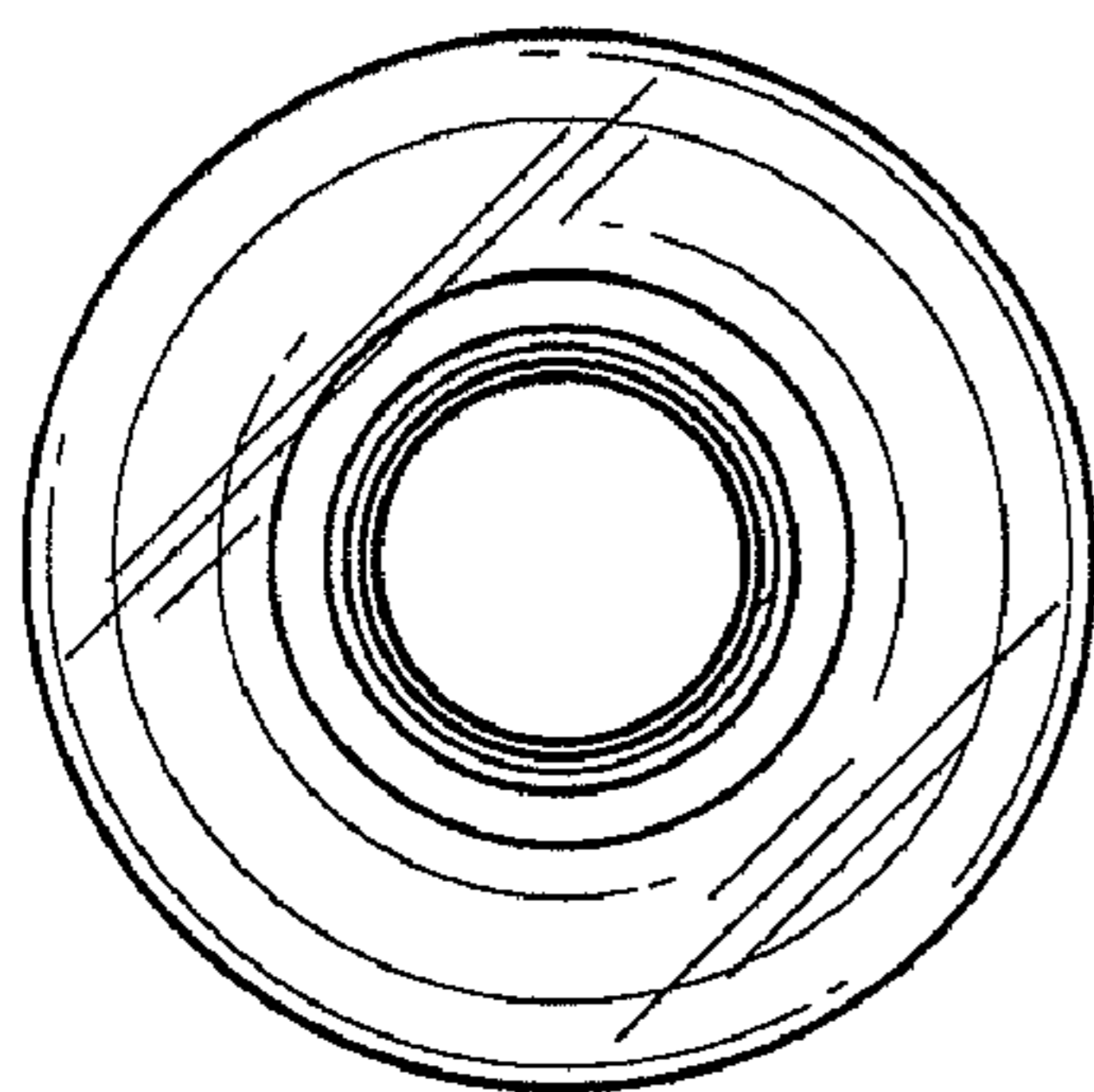


FIG. 3

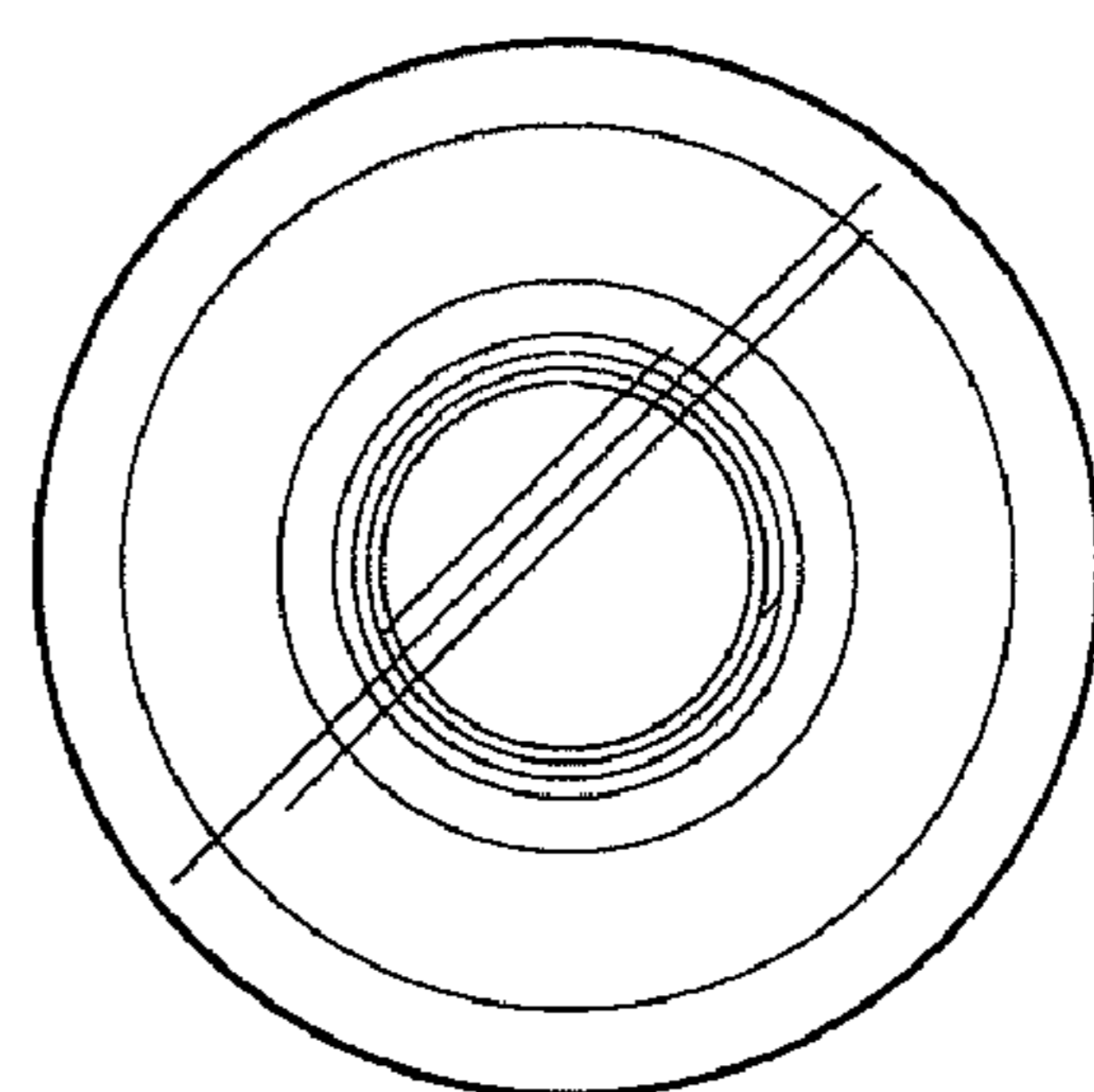


FIG. 4

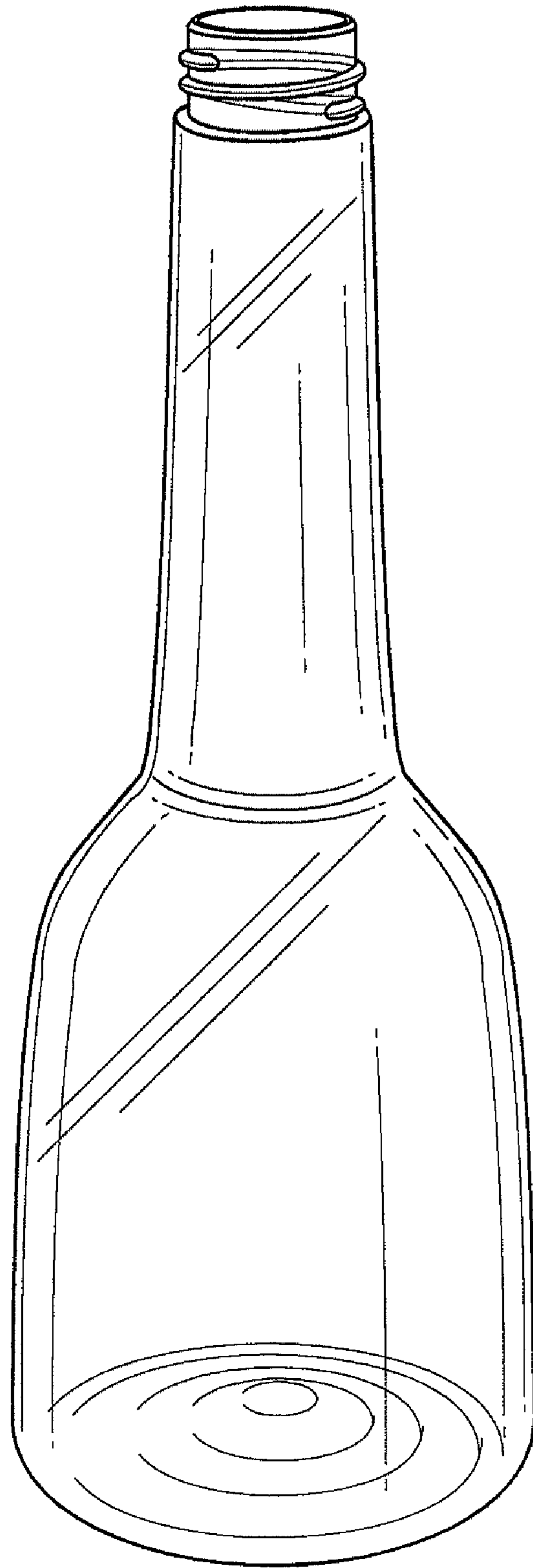


FIG. 5

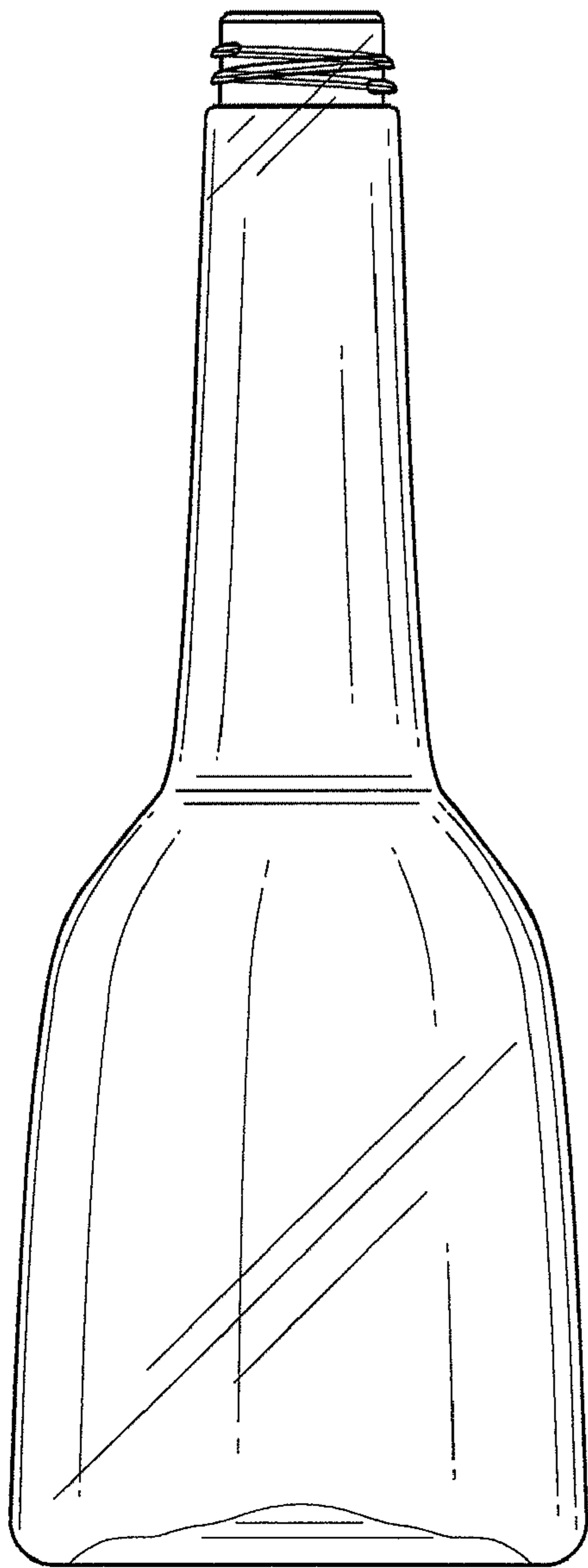


FIG. 6

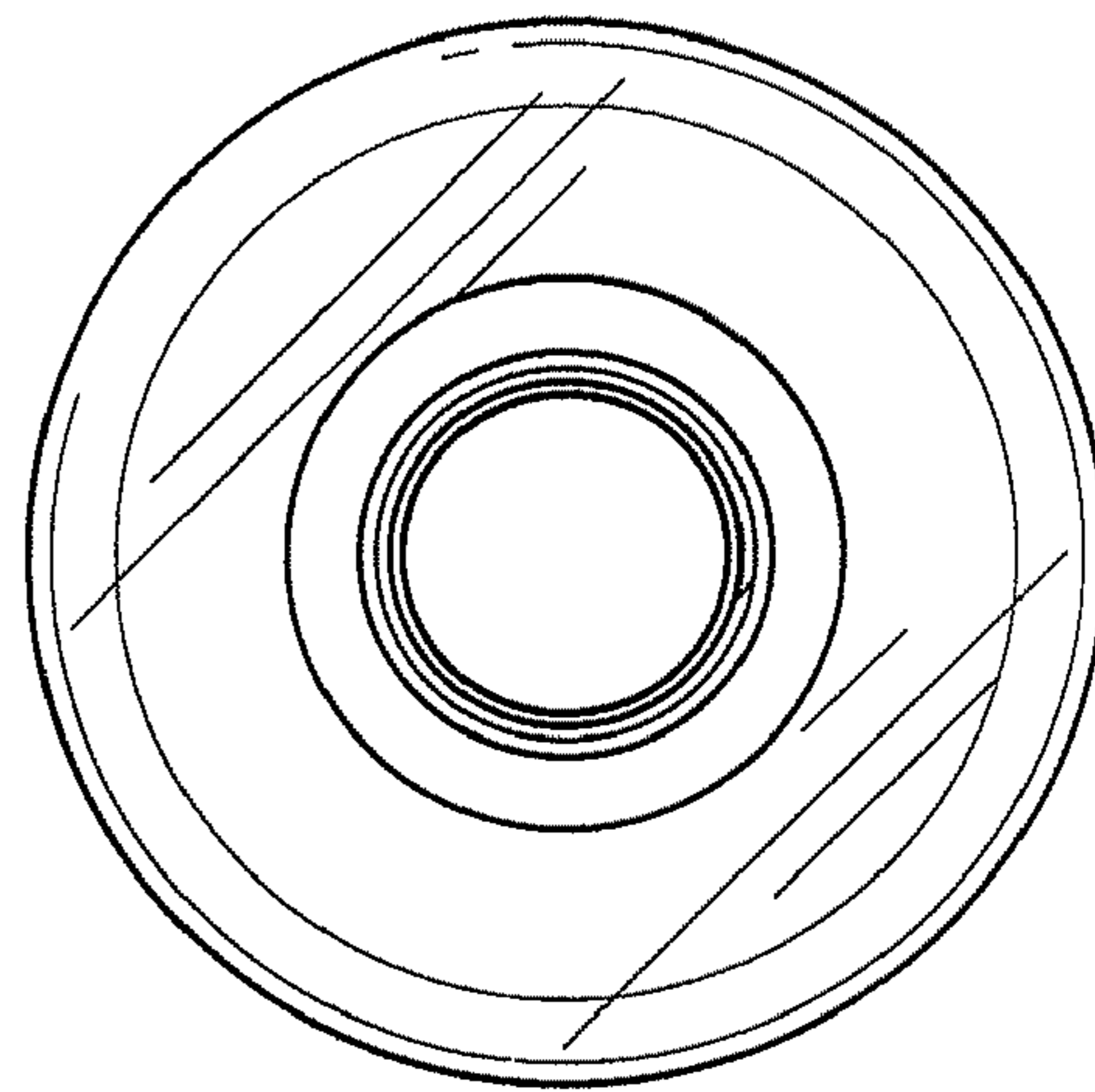


FIG. 7

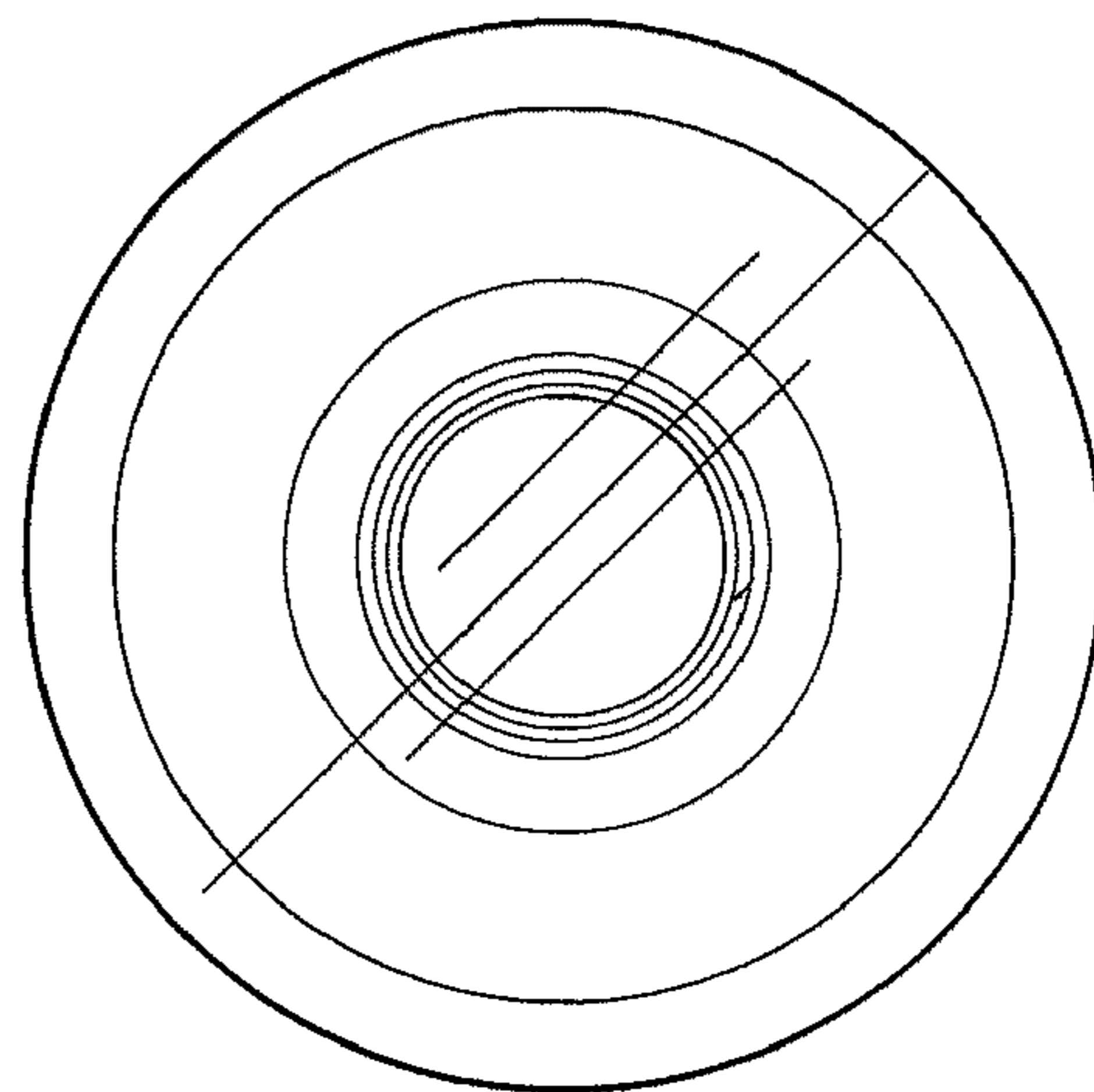


FIG. 8

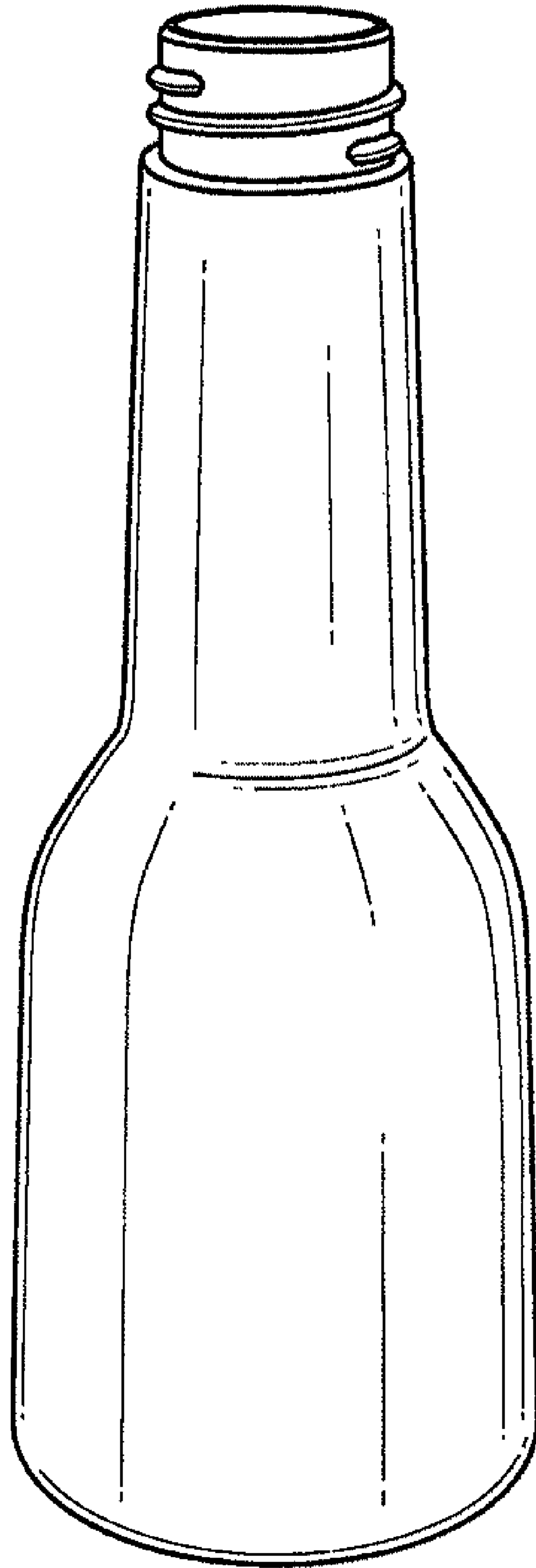


FIG. 9

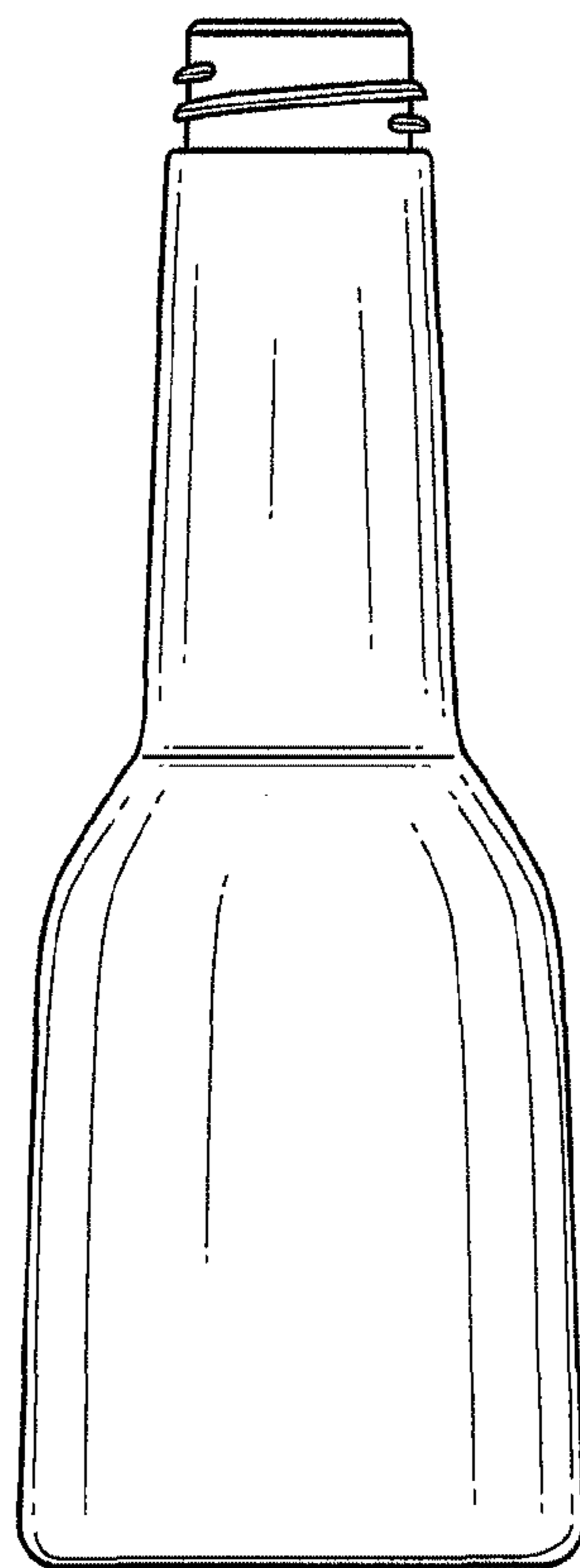


FIG. 10

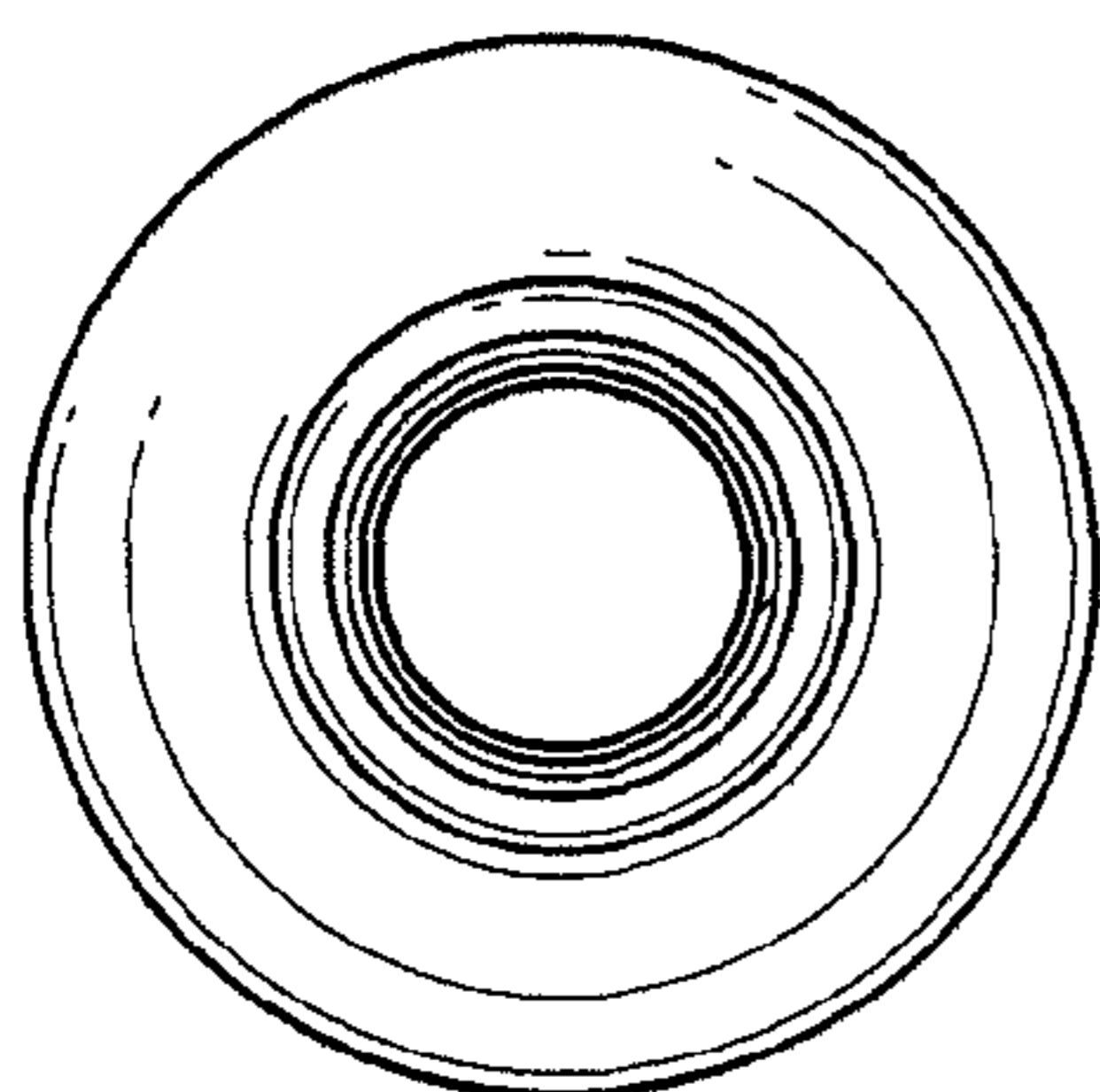


FIG. 11

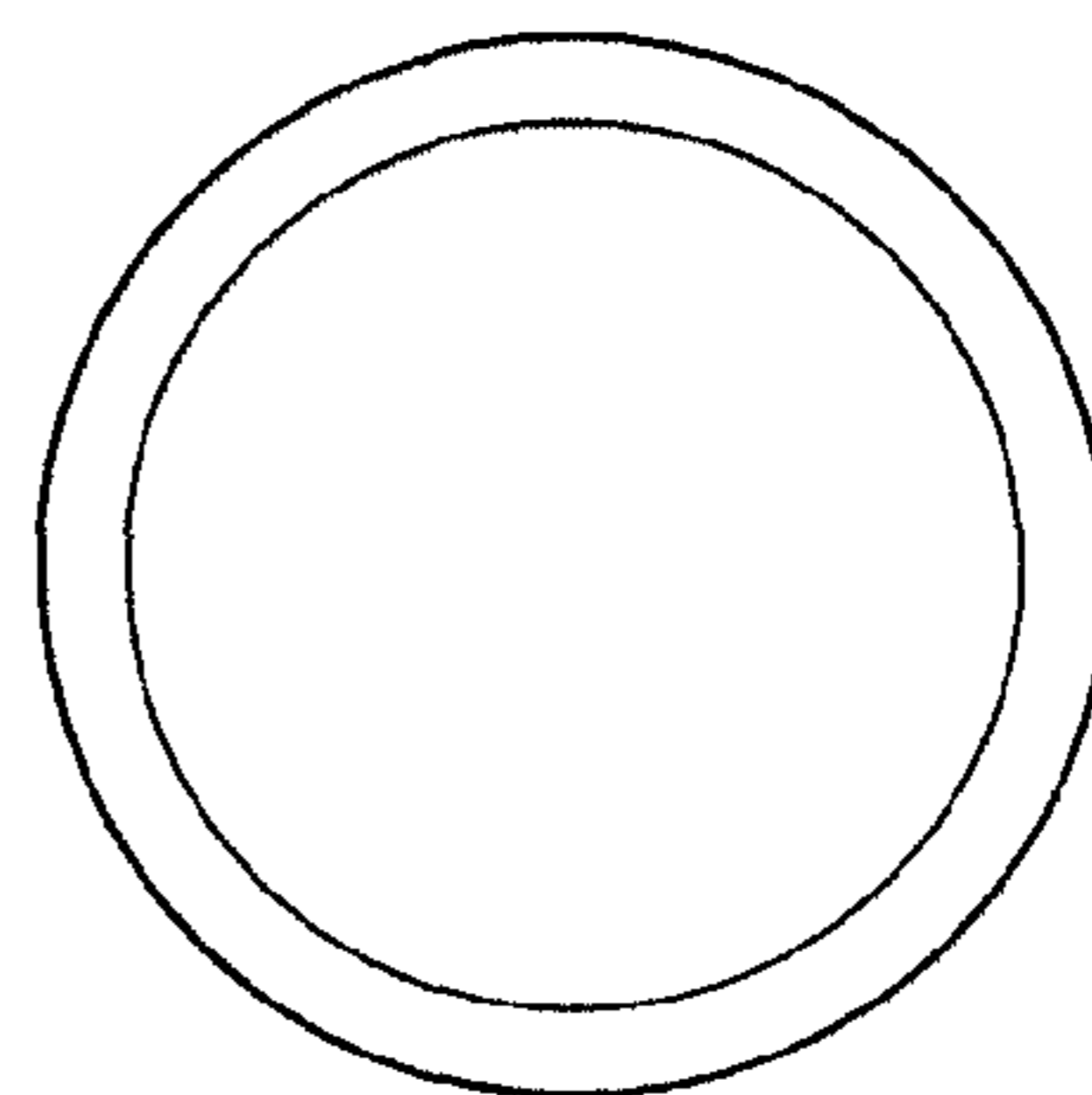


FIG. 12

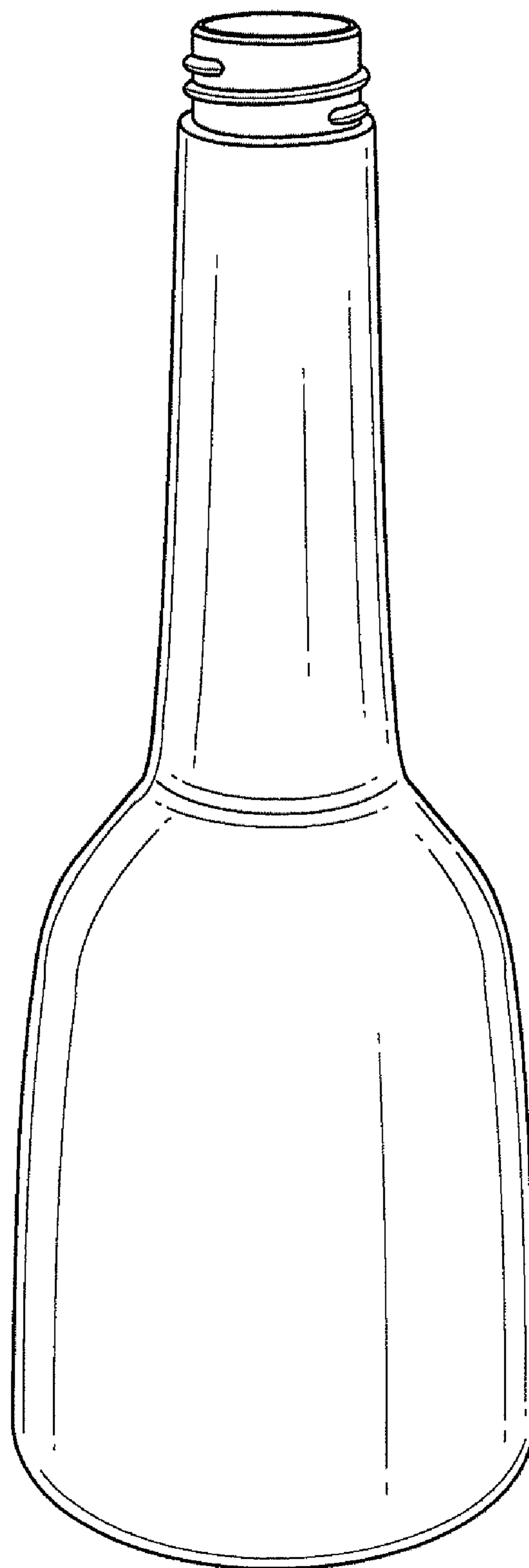


FIG. 13

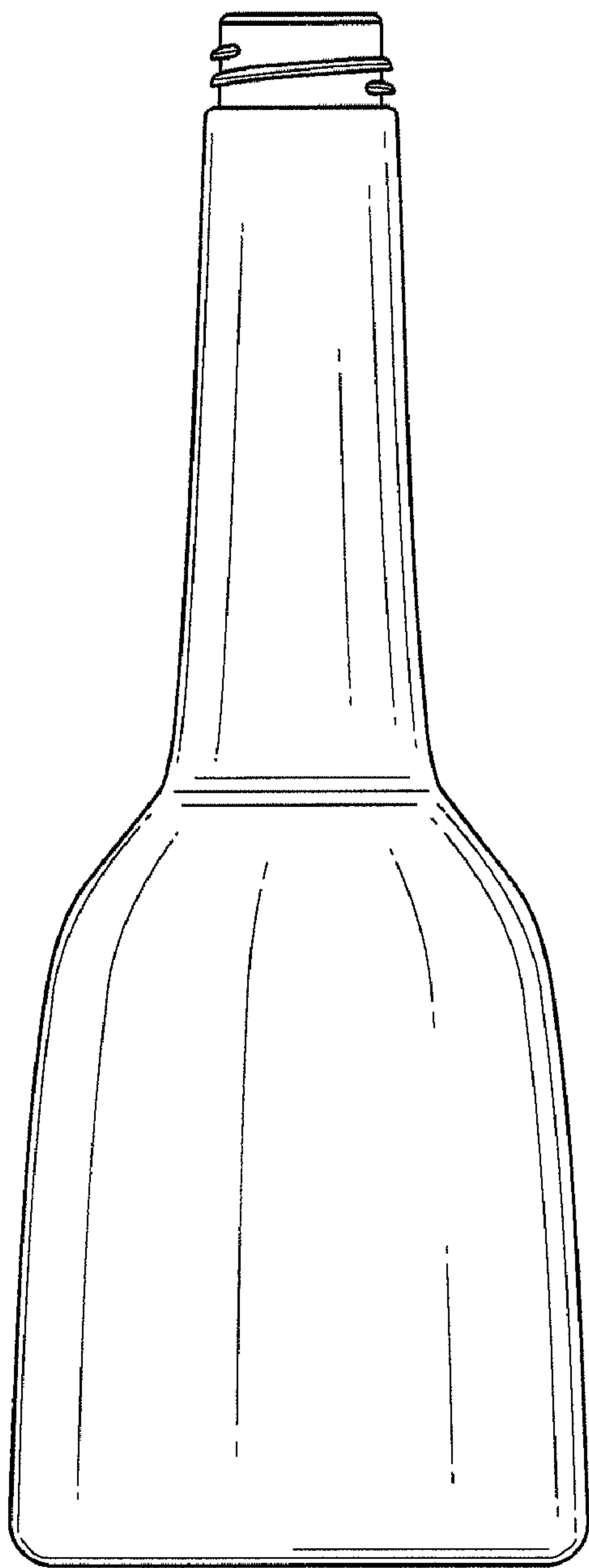


FIG. 14

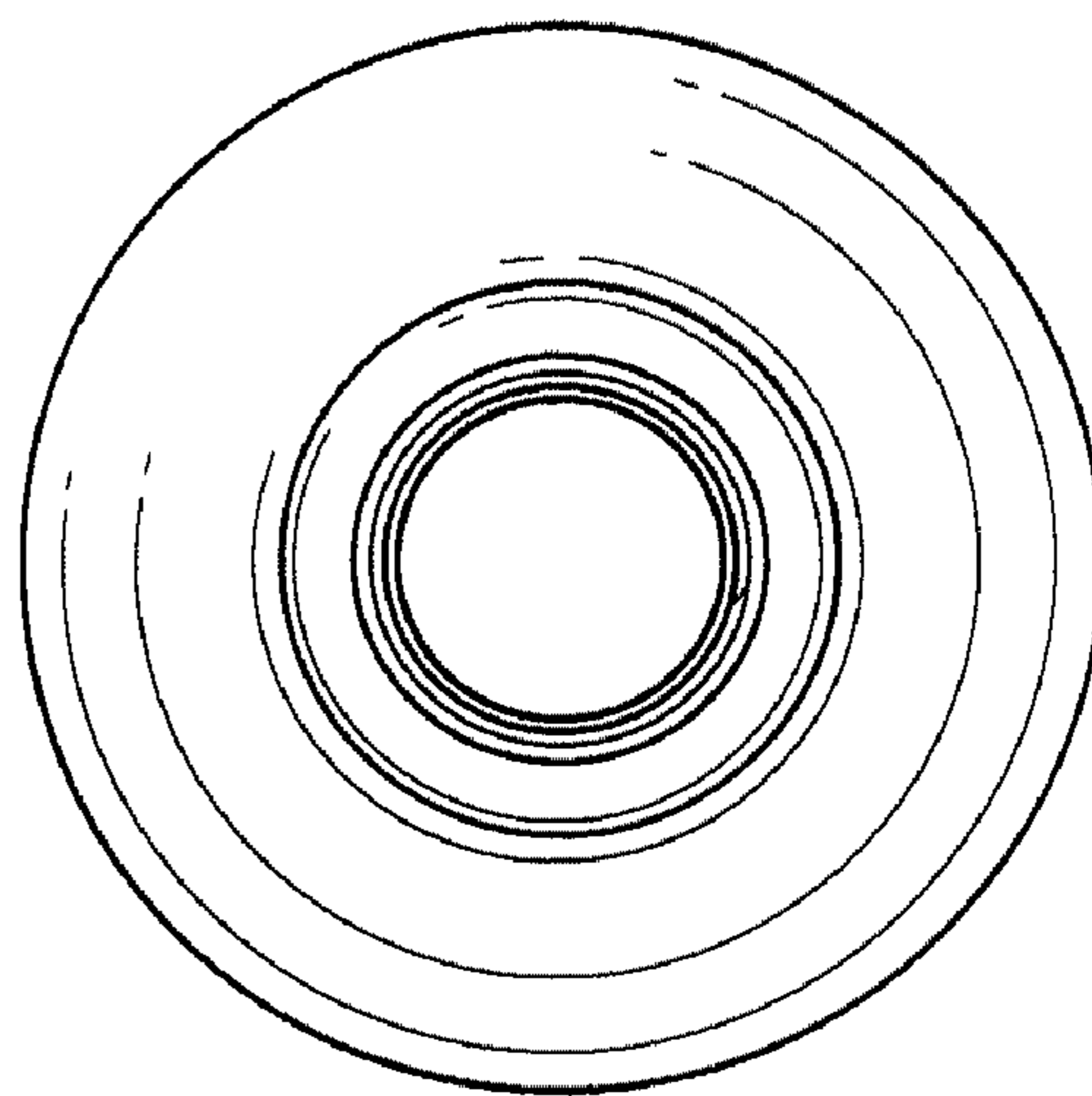


FIG. 15

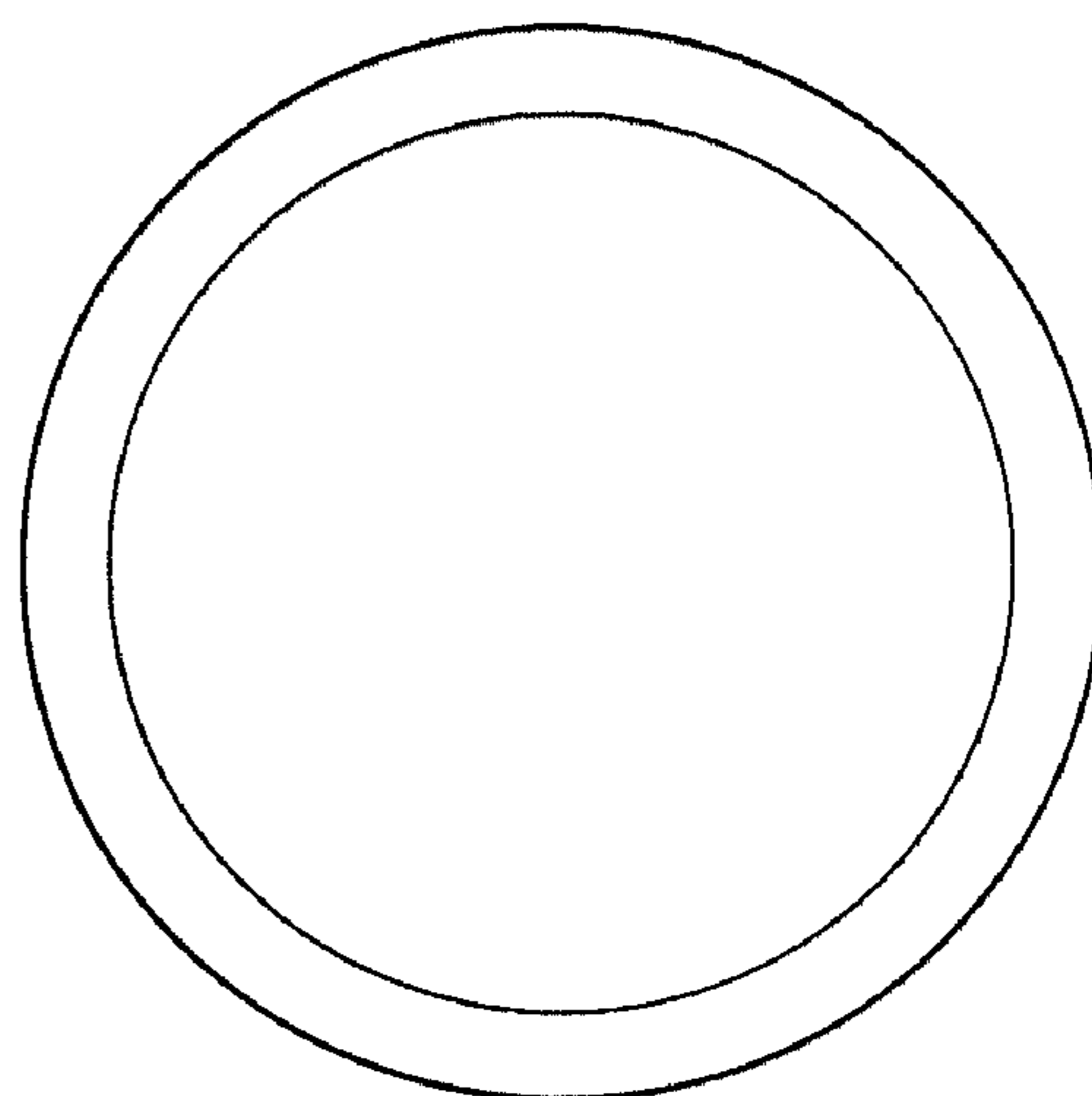


FIG. 16