



US00D654793S

(12) **United States Design Patent**
Rosbach

(10) **Patent No.:** **US D654,793 S**

(45) **Date of Patent:** **** Feb. 28, 2012**

(54) **SPORTS BOTTLE CAP**

(56) **References Cited**

(76) Inventor: **Travis R. Rosbach**, Bend, OR (US)

U.S. PATENT DOCUMENTS

(**) Term: **14 Years**

D508,185 S *	8/2005	Gauss	D7/392.1
D543,454 S *	5/2007	Leoncavallo et al.	D9/449
D580,227 S *	11/2008	Roth et al.	D7/510
D586,184 S *	2/2009	Miller et al.	D7/511
D614,440 S *	4/2010	Cresswell et al.	D7/392.1

(21) Appl. No.: **29/399,986**

* cited by examiner

(22) Filed: **Aug. 22, 2011**

Primary Examiner — Susan Bennett Hattan

(51) **LOC (9) Cl.** **09-07**

(57) **CLAIM**

(52) **U.S. Cl.** **D9/447; D9/443; D9/436**

The ornamental design for a sports bottle cap, as shown and described.

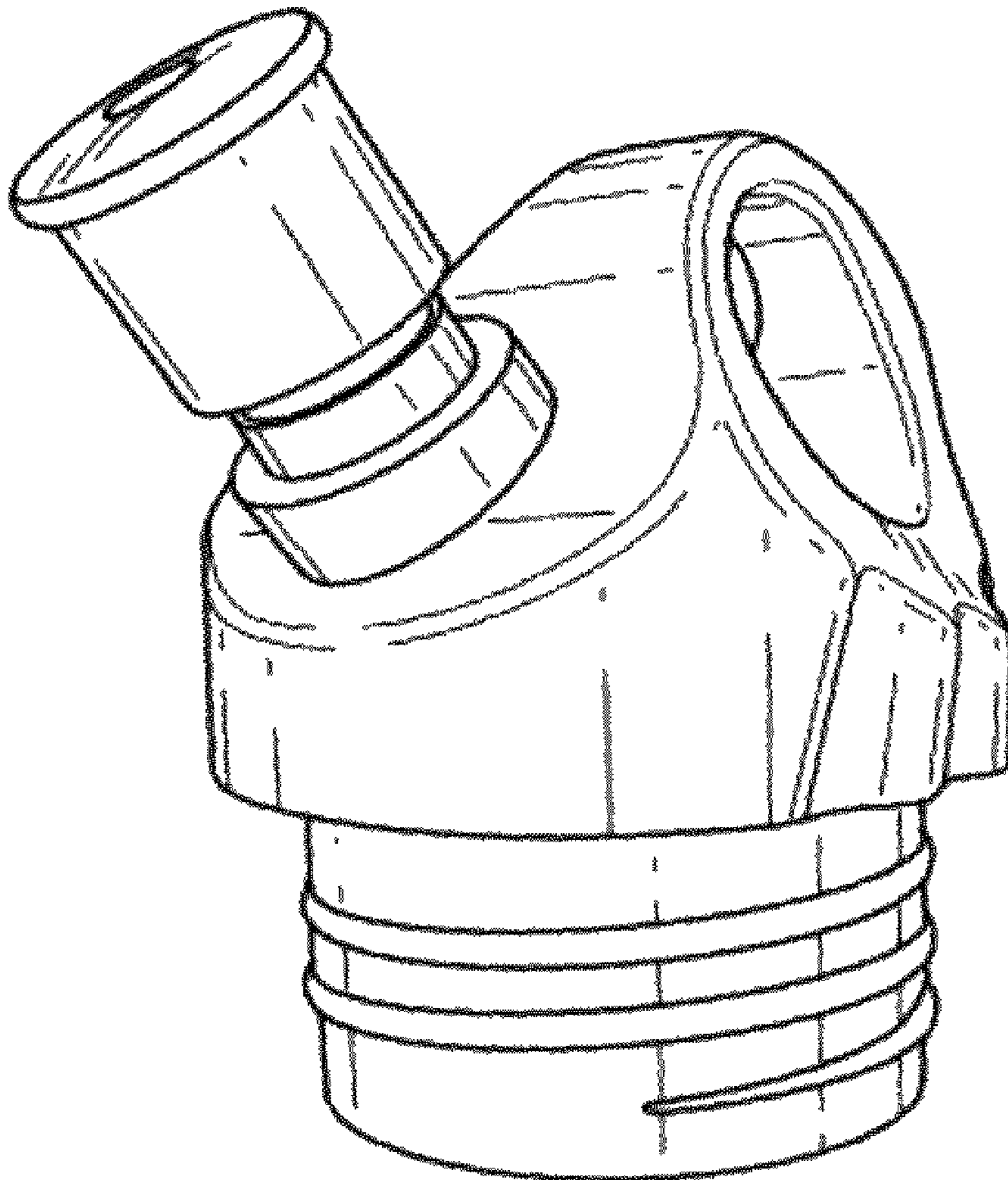
(58) **Field of Classification Search** D9/453,
D9/452, 448, 447, 443, 440, 436, 435, 434;
D7/511, 510, 398, 397, 396.2; 220/915.1,
220/751, 733, 719, 715, 713, 711, 708, 703,
220/255; 215/388, 387, 229; 222/570, 569,
222/571, 108

DESCRIPTION

FIG. 1 is a side perspective view of the present design;
FIG. 2 is a side view thereof;
FIG. 3 is a front view thereof;
FIG. 4 is a back view thereof; and,
FIG. 5 is a top view thereof.

See application file for complete search history.

1 Claim, 3 Drawing Sheets



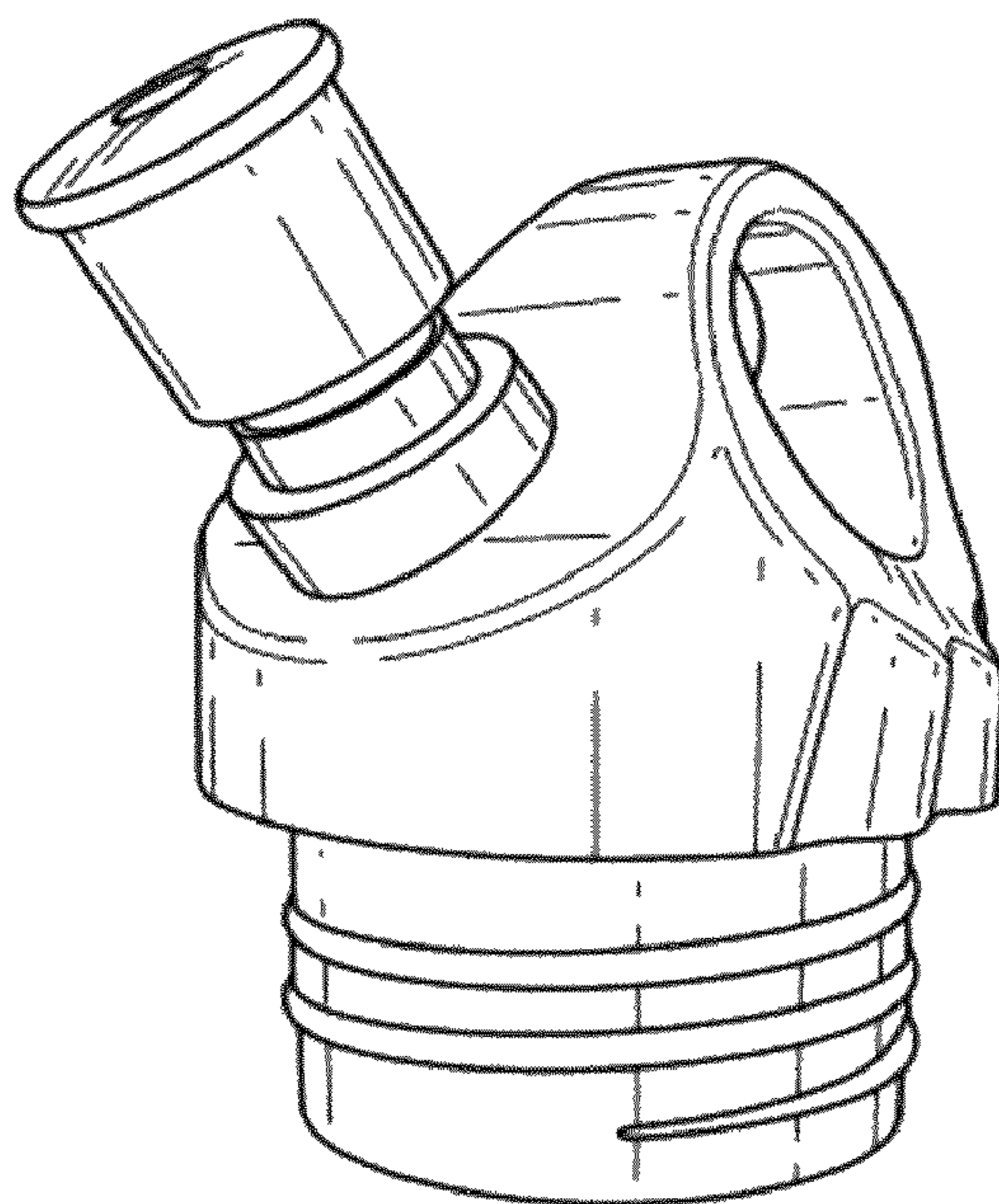


FIG. 1

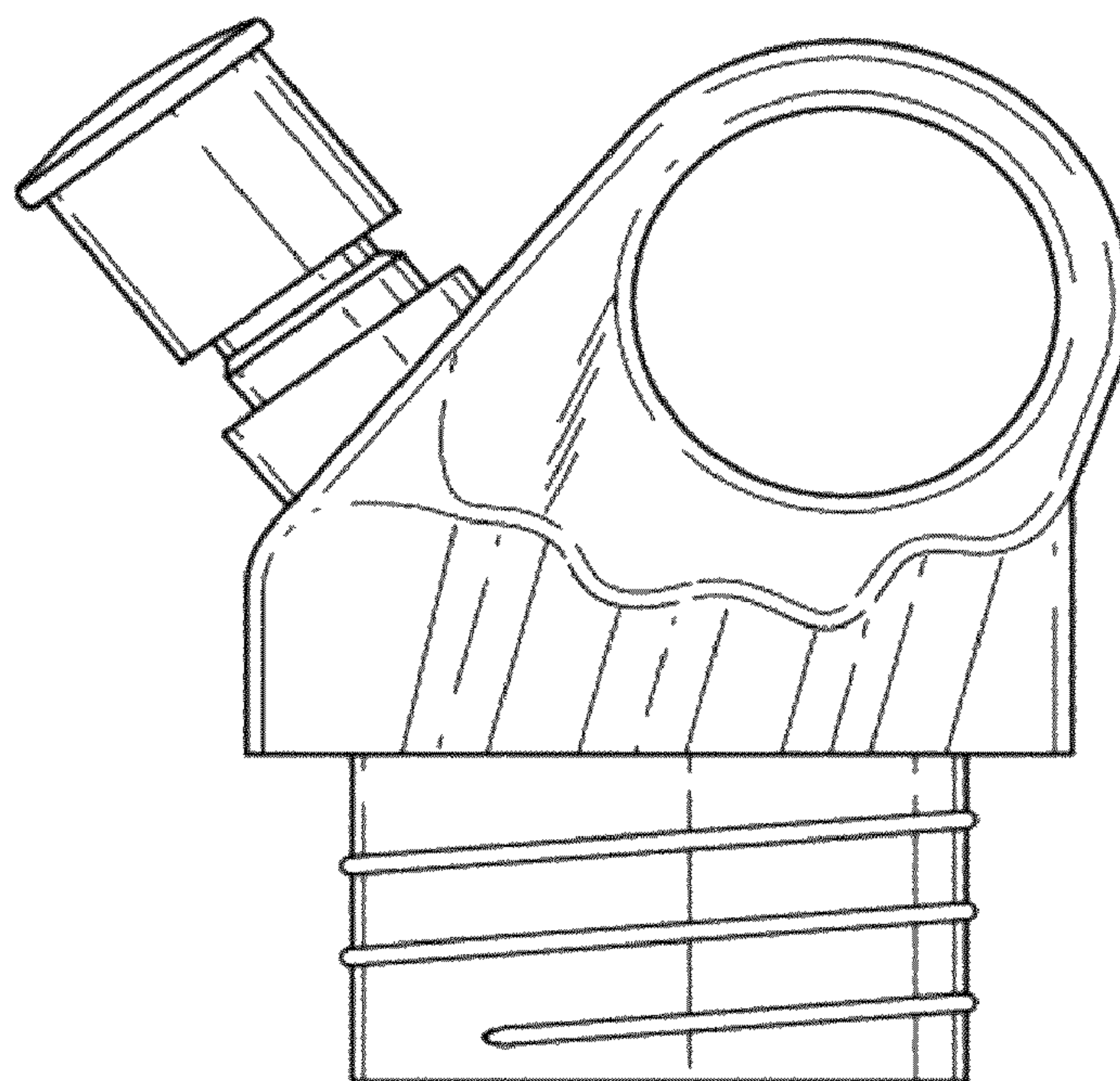


FIG. 2

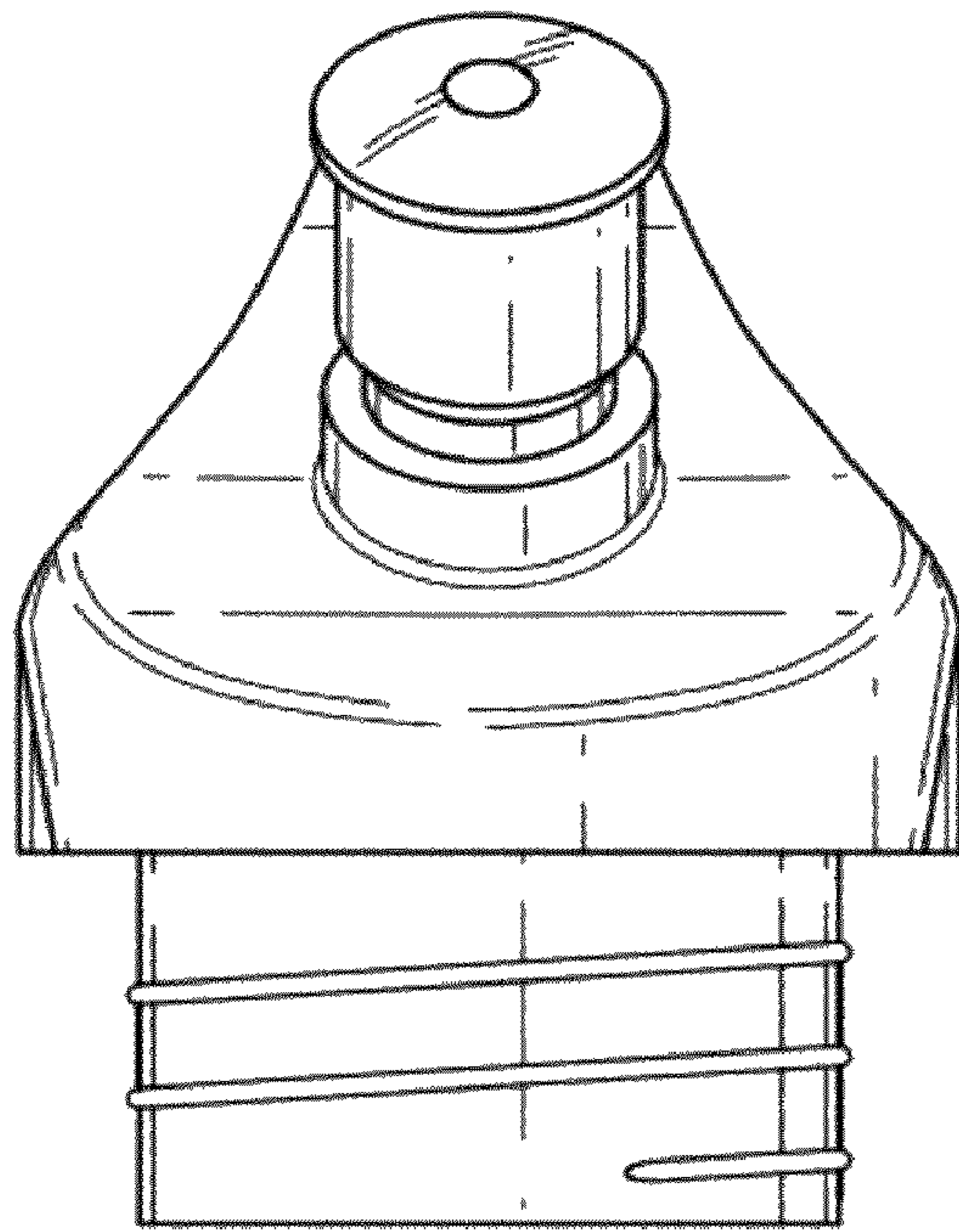


FIG. 3

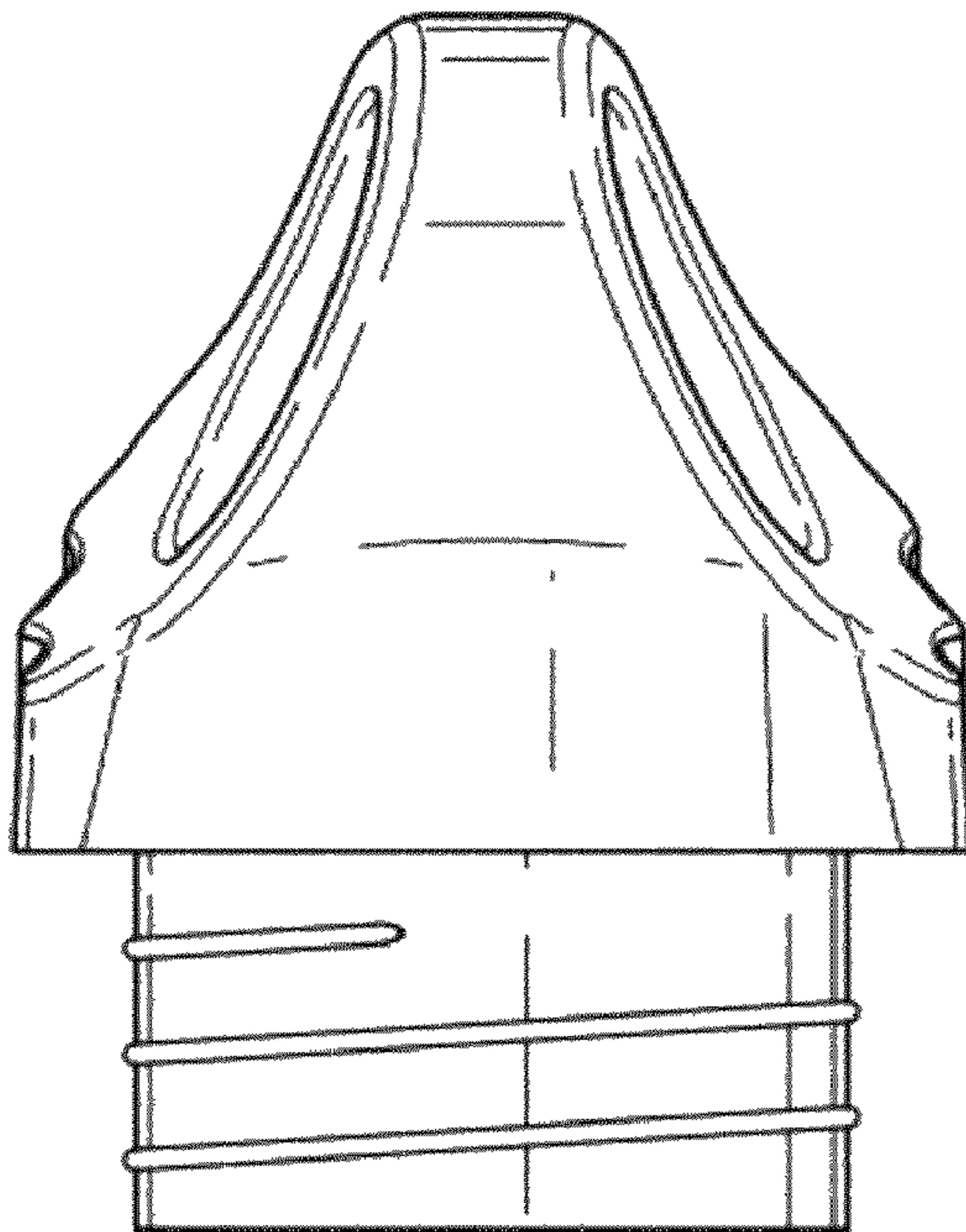


FIG. 4

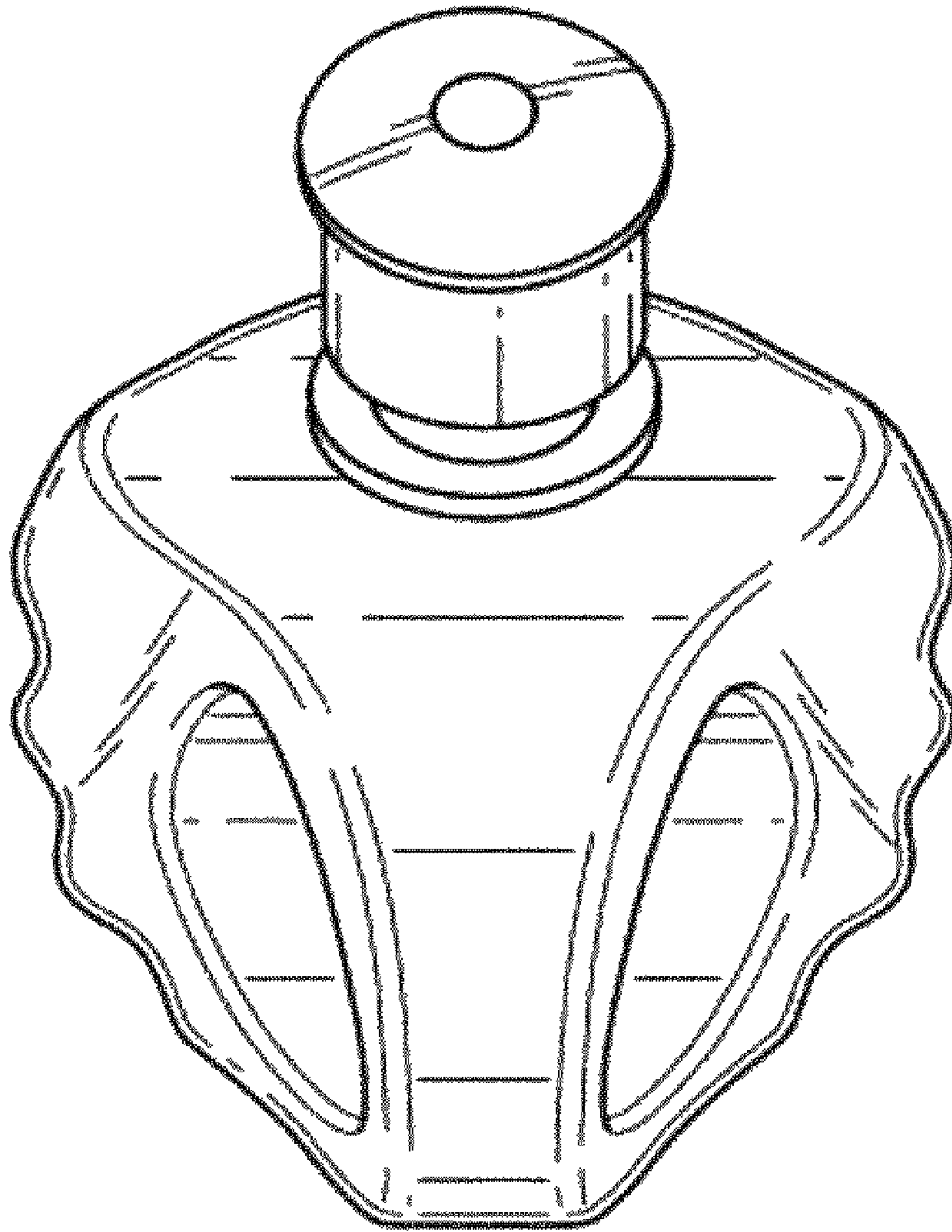


FIG. 5