



US00D654792S

(12) **United States Design Patent**  
**Bertelsen**

(10) **Patent No.:** **US D654,792 S**  
(45) **Date of Patent:** **\*\* Feb. 28, 2012**

(54) **DOSING CLOSURE**

(75) Inventor: **Poul Martin Bertelsen**, Assens (DK)

(73) Assignee: **Plum A/S** (DK)

(\*\*) Term: **14 Years**

(21) Appl. No.: **29/365,503**

(22) Filed: **Jul. 9, 2010**

(30) **Foreign Application Priority Data**

Jan. 11, 2010 (EM) ..... 001188270-0001

(51) **LOC (9) Cl.** ..... **09-07**

(52) **U.S. Cl.** ..... **D9/436**

(58) **Field of Classification Search** ..... D9/499,  
D9/455, 450, 449, 447, 443, 440, 436; D8/373;  
D7/590, 512, 396.2, 392.1; D4/116, 114;  
D10/74, 72; 248/113; 222/536, 521, 480;  
220/254.3; 215/228

See application file for complete search history.

(56) **References Cited**

**U.S. PATENT DOCUMENTS**

1,685,727	A *	9/1928	Stewart	.....	215/228
1,801,196	A *	4/1931	Grove	.....	132/290
2,944,273	A *	7/1960	Harris	.....	15/105
3,146,484	A *	9/1964	Lussier et al.	.....	401/186
D272,235	S *	1/1984	Orlando	.....	D9/436
4,974,984	A *	12/1990	Kafkis et al.	.....	401/268

D376,048	S *	12/1996	Gerhart et al.	.....	D4/114
D385,704	S *	11/1997	Williams	.....	D4/116
D503,539	S *	4/2005	Tani	.....	D4/114
D510,863	S *	10/2005	Juhng et al.	.....	D9/436
D516,919	S *	3/2006	Sakai et al.	.....	D9/529
D544,212	S *	6/2007	Hsieh	.....	D4/114
D555,831	S *	11/2007	Chan	.....	D28/7
D558,540	S *	1/2008	White et al.	.....	D7/693
D608,097	S *	1/2010	Zanjani et al.	.....	D4/114
D612,614	S *	3/2010	Maxwell	.....	D4/114

\* cited by examiner

*Primary Examiner* — Susan Bennett Hattan

(74) *Attorney, Agent, or Firm* — Kelly & Kelley, LLP

(57) **CLAIM**

The ornamental design for a dosing closure, as shown and described.

**DESCRIPTION**

FIG. 1 is a front and left-side perspective view of a dosing closure embodying my new design, the dotted lines representing an exemplary canister and forming no part of the inventive design;

FIG. 2 is a front and left-side perspective view of a dosing closure embodying my new design;

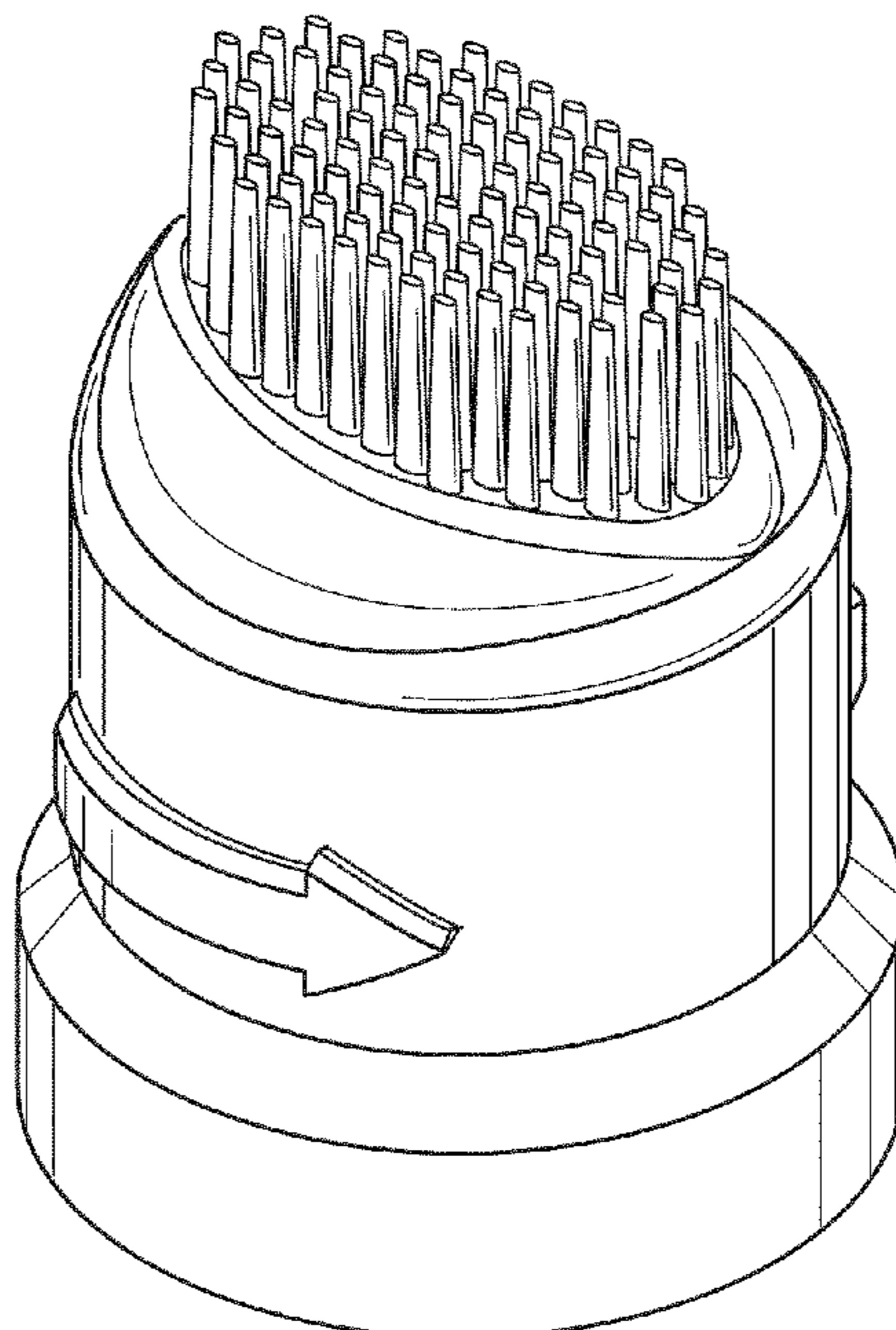
FIG. 3 is a front elevational view thereof, the rear elevational view being a mirror image;

FIG. 4 is a right-side elevational view thereof;

FIG. 5 is a top plan view thereof; and,

FIG. 6 is a bottom plan view thereof.

**1 Claim, 2 Drawing Sheets**



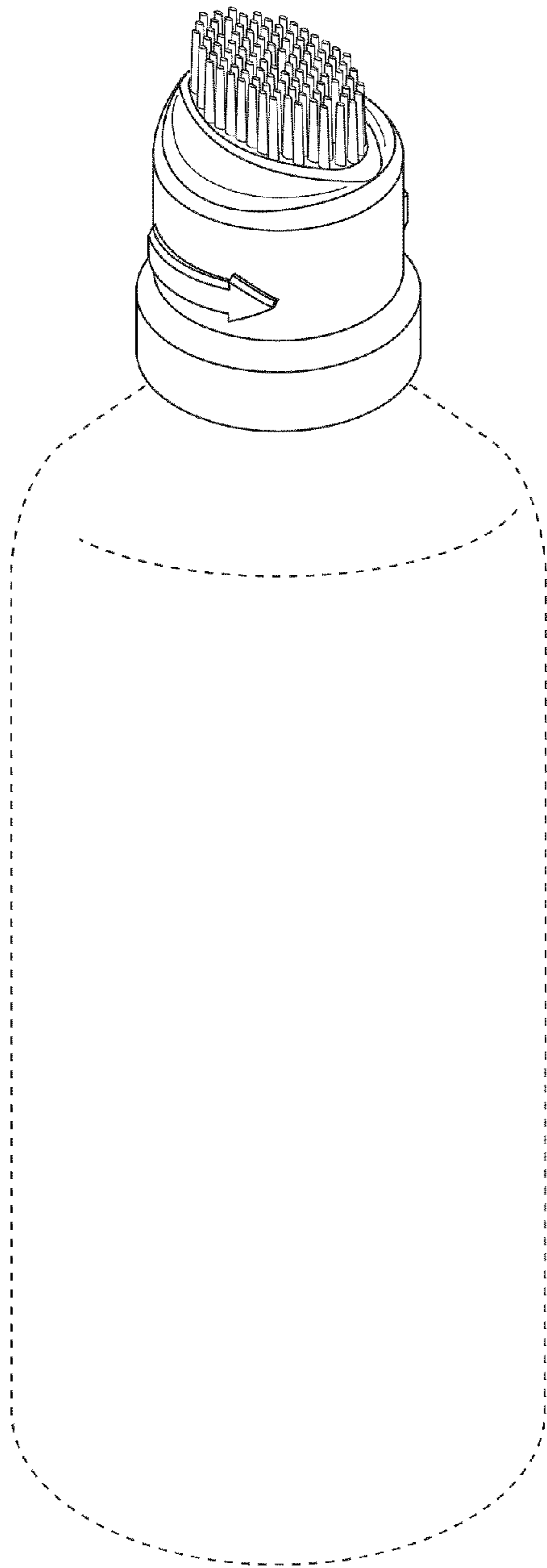


FIG. 1

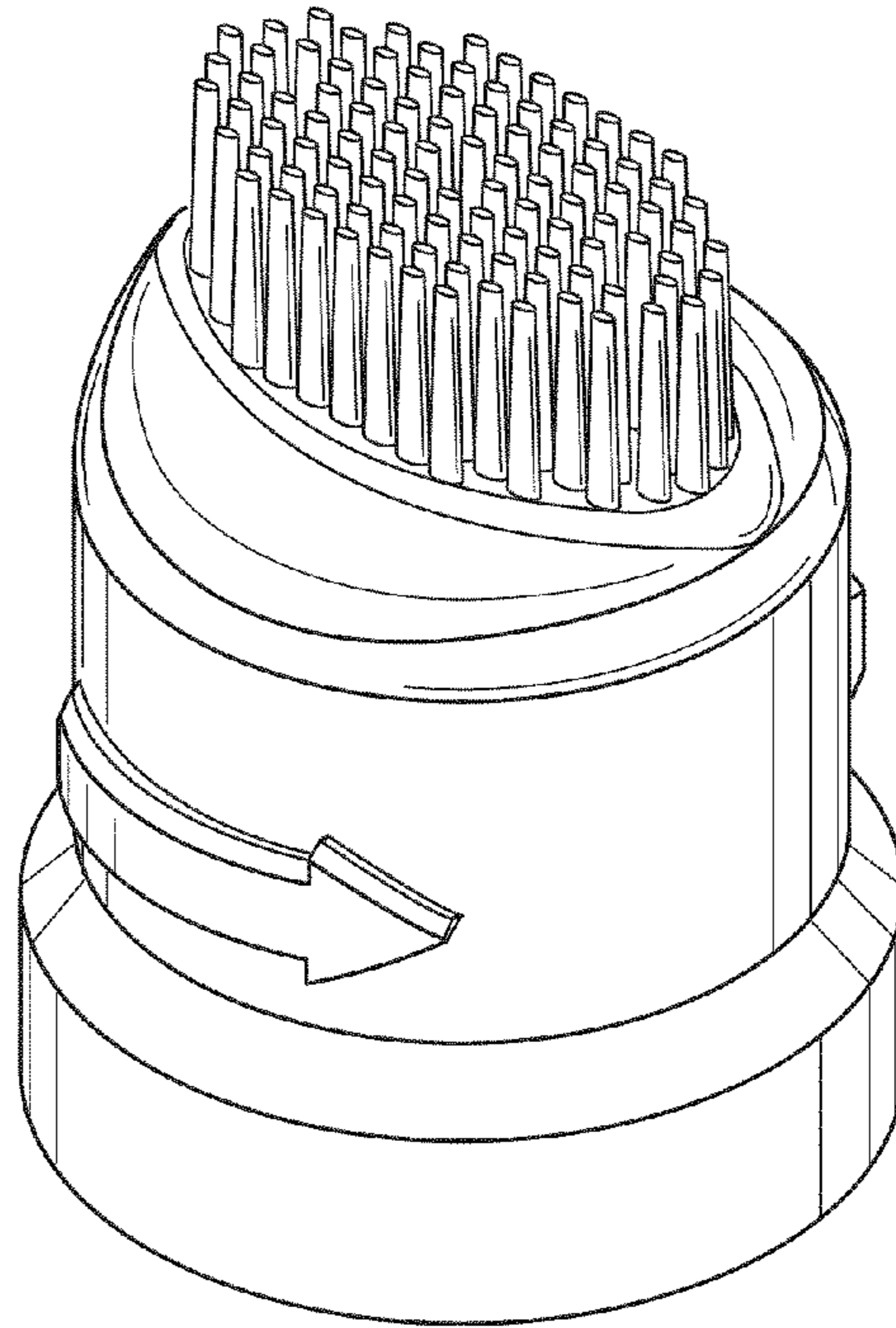


FIG. 2

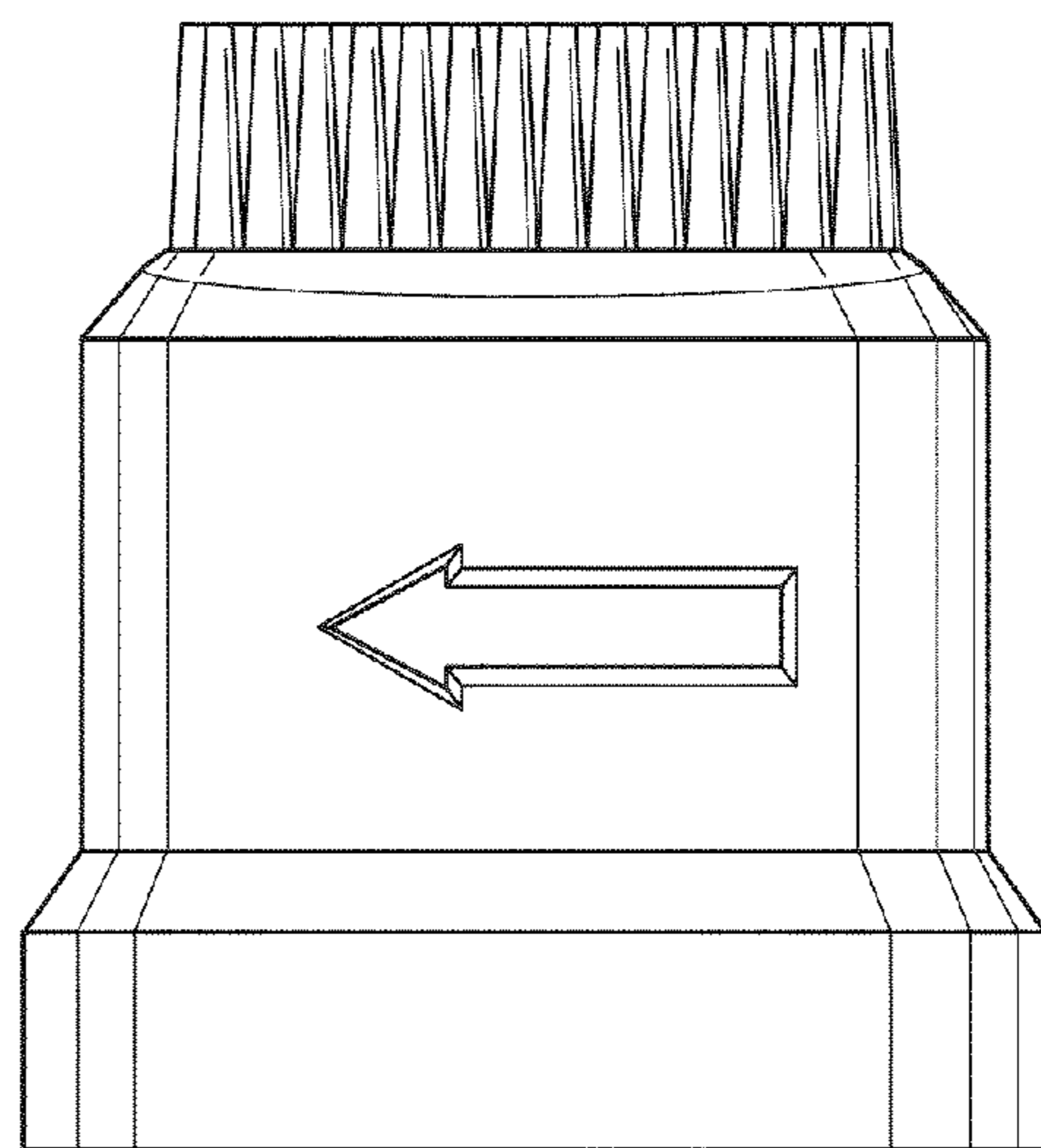


FIG. 3

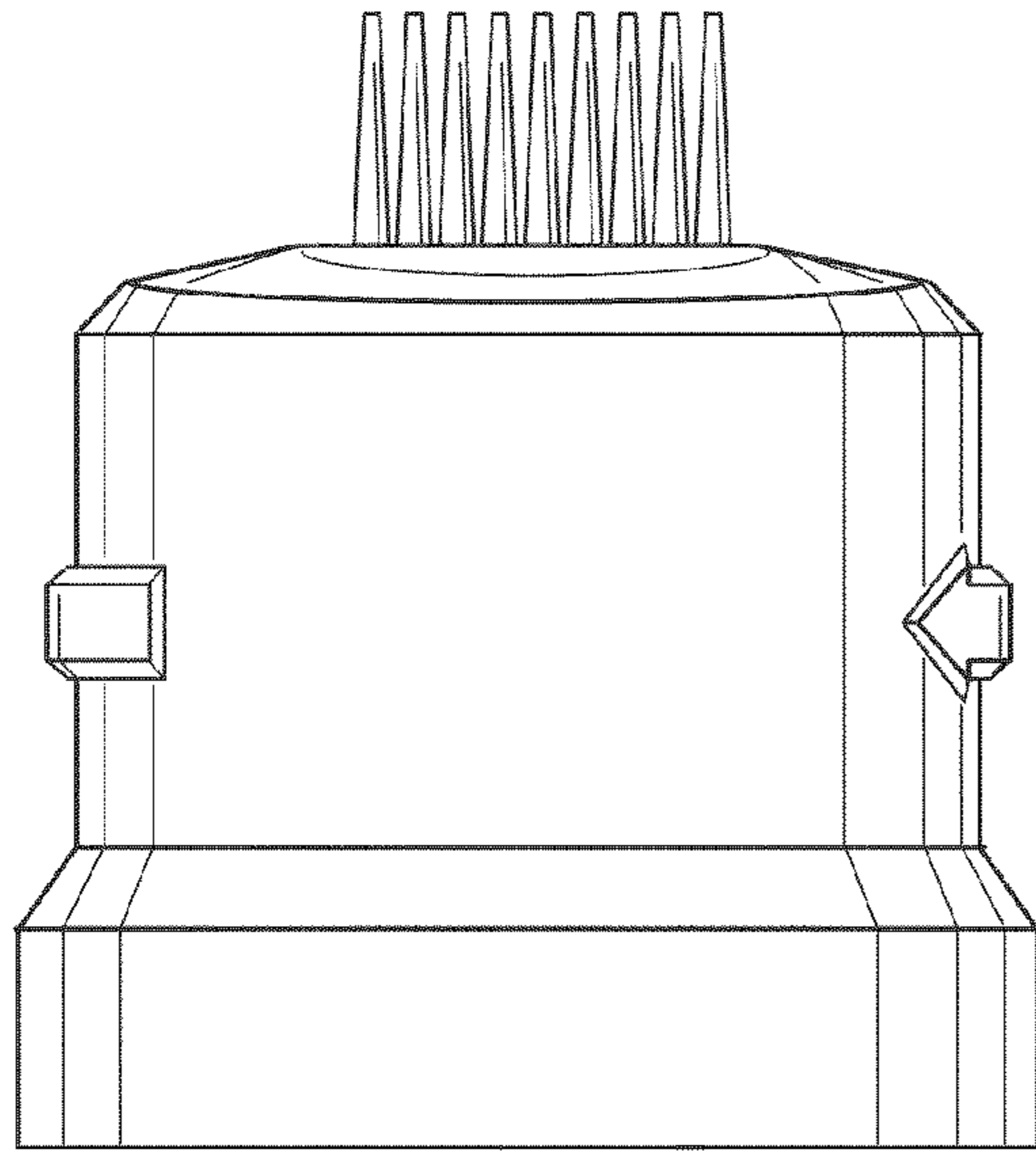


FIG. 4

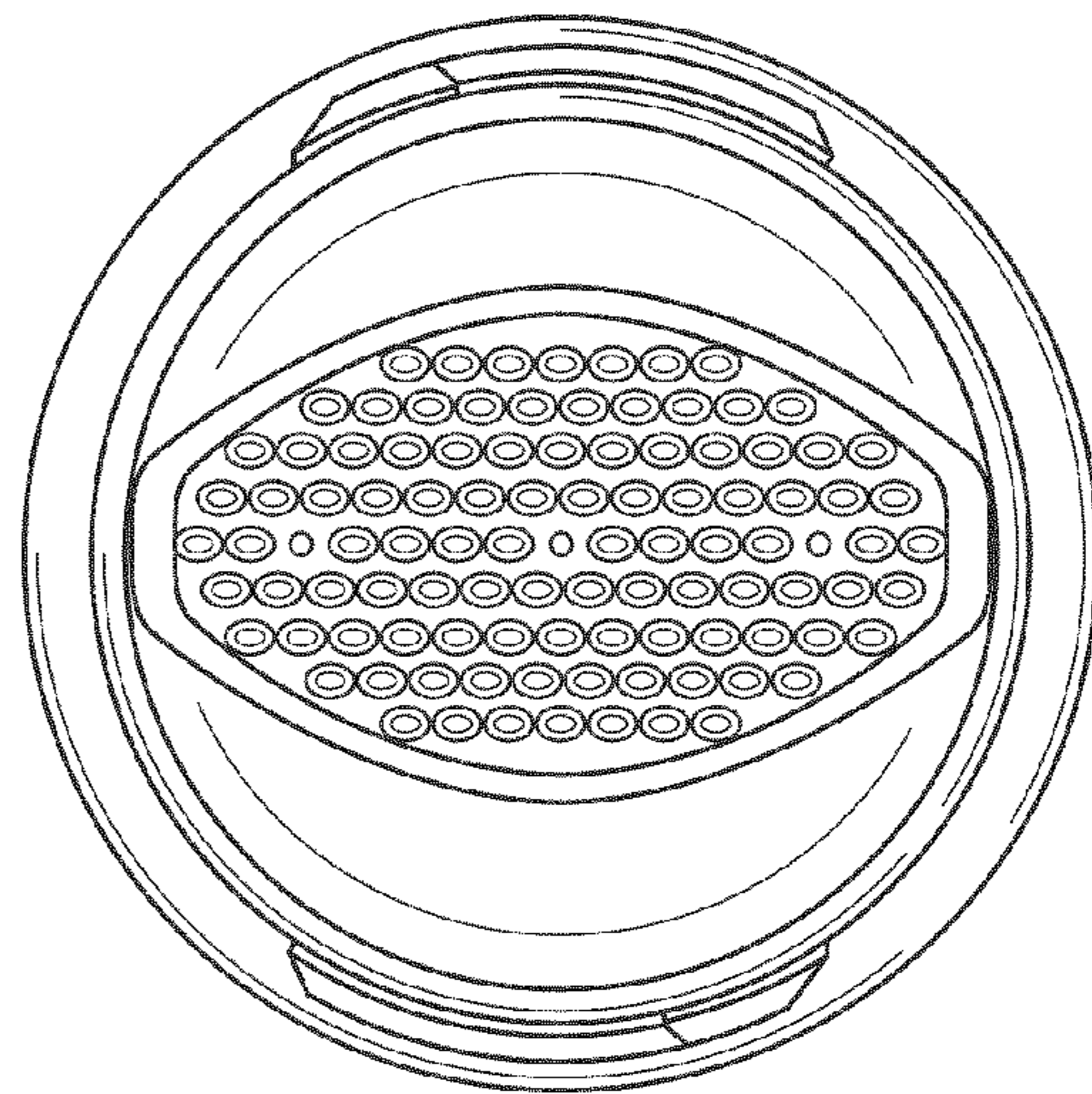


FIG. 6

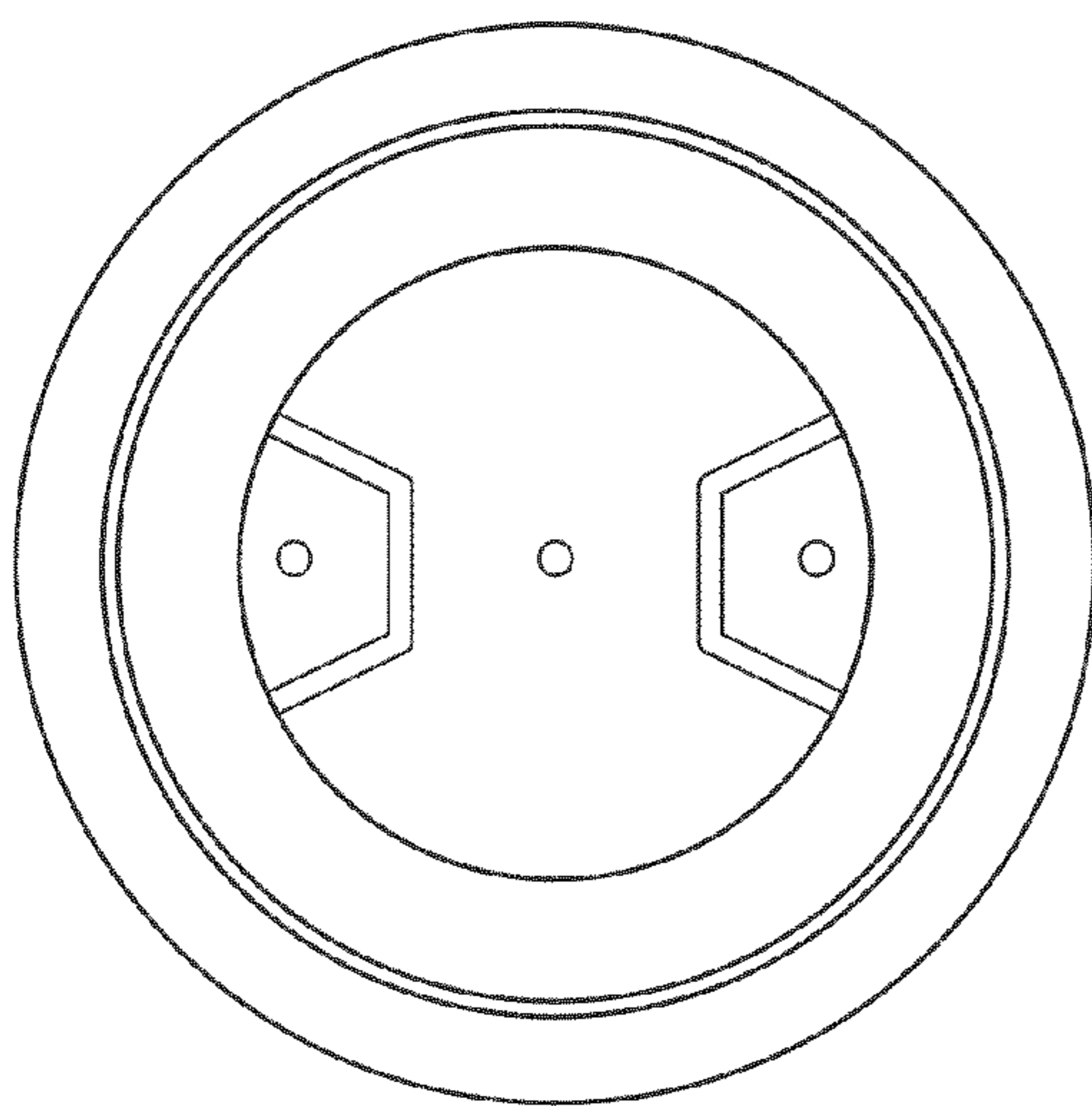


FIG. 5