

US00D654787S

(12) **United States Design Patent**
Kissner et al.

(10) **Patent No.:** **US D654,787 S**
(45) **Date of Patent:** **** Feb. 28, 2012**

(54) **CONTAINER**

(75) Inventors: **Douglas Robert Kissner**, Glenview, IL (US); **Abby Rose Herstich**, Chicago, IL (US); **Michele Marie Dziaba**, Mundelein, IL (US)

(73) Assignee: **Kraft Foods Global Brands LLC**, Northfield, IL (US)

(**) Term: **14 Years**

(21) Appl. No.: **29/381,787**

(22) Filed: **Dec. 22, 2010**

(51) **LOC (9) Cl.** **09-03**

(52) **U.S. Cl.** **D9/420; D9/425**

(58) **Field of Classification Search** D9/414-416, D9/418-421, 423-428, 430-432, 434; D3/302, D3/314; 206/119, 464, 470, 508, 545, 806; 220/4.22-4.24, 574, 604-608, 659, 675, 220/781-782, 793, 835, 839, DIG. 14; 229/406, 229/407, 902; D7/396.1, 392.1, 394, 538, D7/543-545, 550.1, 551, 554.3, 587, 566, D7/584, 586, 629, 667; 221/191; D23/355-366; 219/725, 735

See application file for complete search history.

(56) **References Cited**

U.S. PATENT DOCUMENTS

3,392,870	A	7/1968	Schulz	
3,417,897	A	12/1968	Johnson	
3,904,074	A	9/1975	Hoffman et al.	
5,111,956	A	5/1992	Jow	
5,190,152	A	3/1993	Smith et al.	
D431,458	S *	10/2000	Bried et al. D3/203.2

6,352,170	B1	3/2002	Brown et al.	
D456,713	S *	5/2002	Bried et al. D9/449
D462,613	S *	9/2002	Bried et al. D3/294
D474,402	S *	5/2003	Baerenwald D9/420
D522,362	S *	6/2006	Liebe D9/449
D537,717	S	3/2007	Notarianni	
D607,315	S *	1/2010	George et al. D9/420
D631,338	S *	1/2011	Prevost D9/421
2006/0124643	A1	6/2006	Markert et al.	
2006/0151512	A1	7/2006	Van Heugten et al.	
2008/0083768	A1	4/2008	Luburic	
2008/0190951	A1	8/2008	Gallagher et al.	

FOREIGN PATENT DOCUMENTS

EP	0579225	A2	1/1994
GB	2162821	A	2/1986
JP	2008265790	A	11/2008
WO	2008103343	A1	8/2008

* cited by examiner

Primary Examiner — Thomas Johannes

(74) *Attorney, Agent, or Firm* — Fitch, Even, Tabin & Flannery LLP

(57) **CLAIM**

The ornamental design for a container, as shown and described.

DESCRIPTION

FIG. 1 is a perspective view of a container showing our new design;
FIG. 2 is a front elevational view thereof;
FIG. 3 is a rear elevational view thereof;
FIG. 4 is a bottom plan view thereof;
FIG. 5 is a top plan view thereof; and,
FIG. 6 is a right side elevational view thereof, the left side being a mirror image thereof.

1 Claim, 3 Drawing Sheets

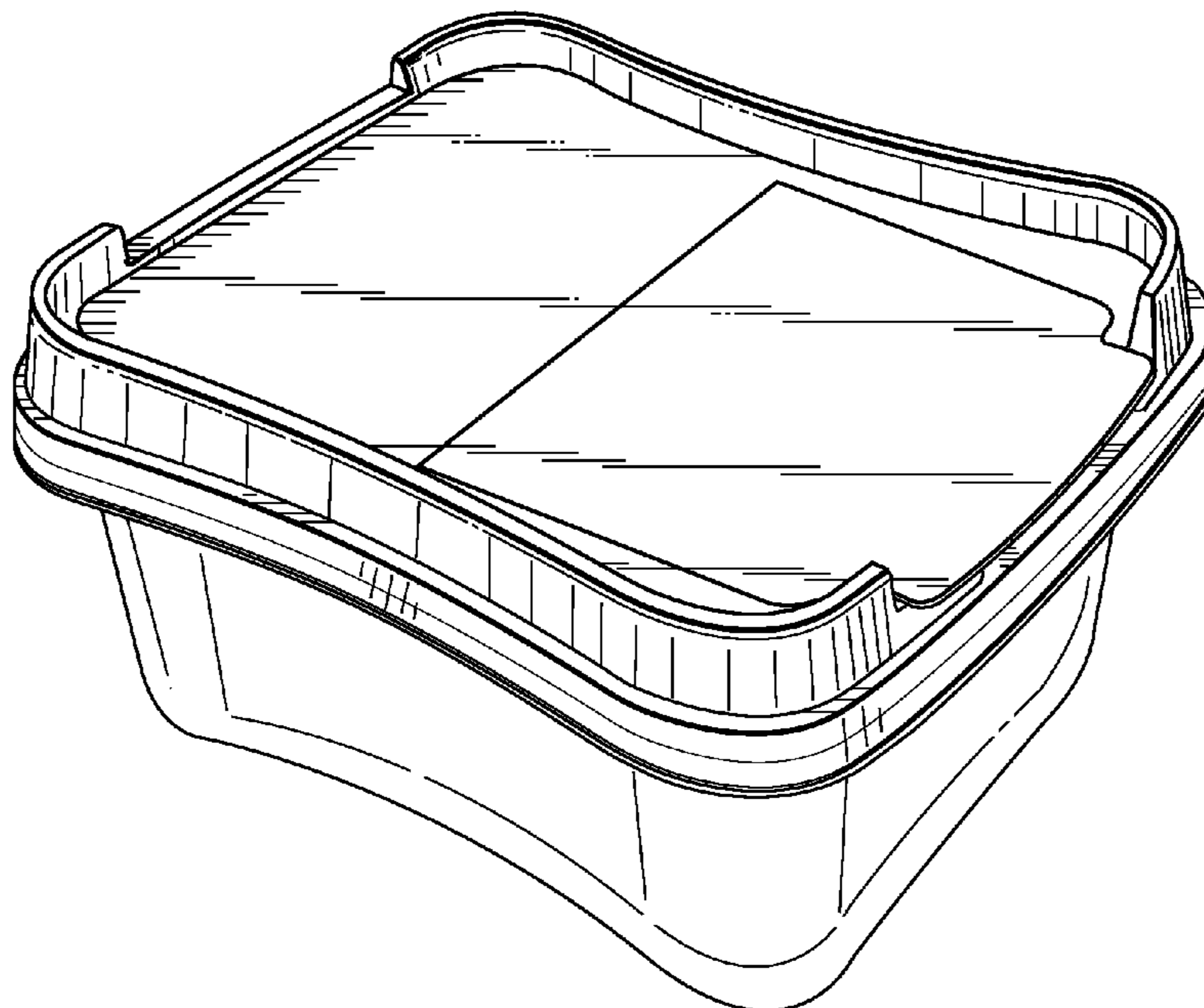


FIG. 1

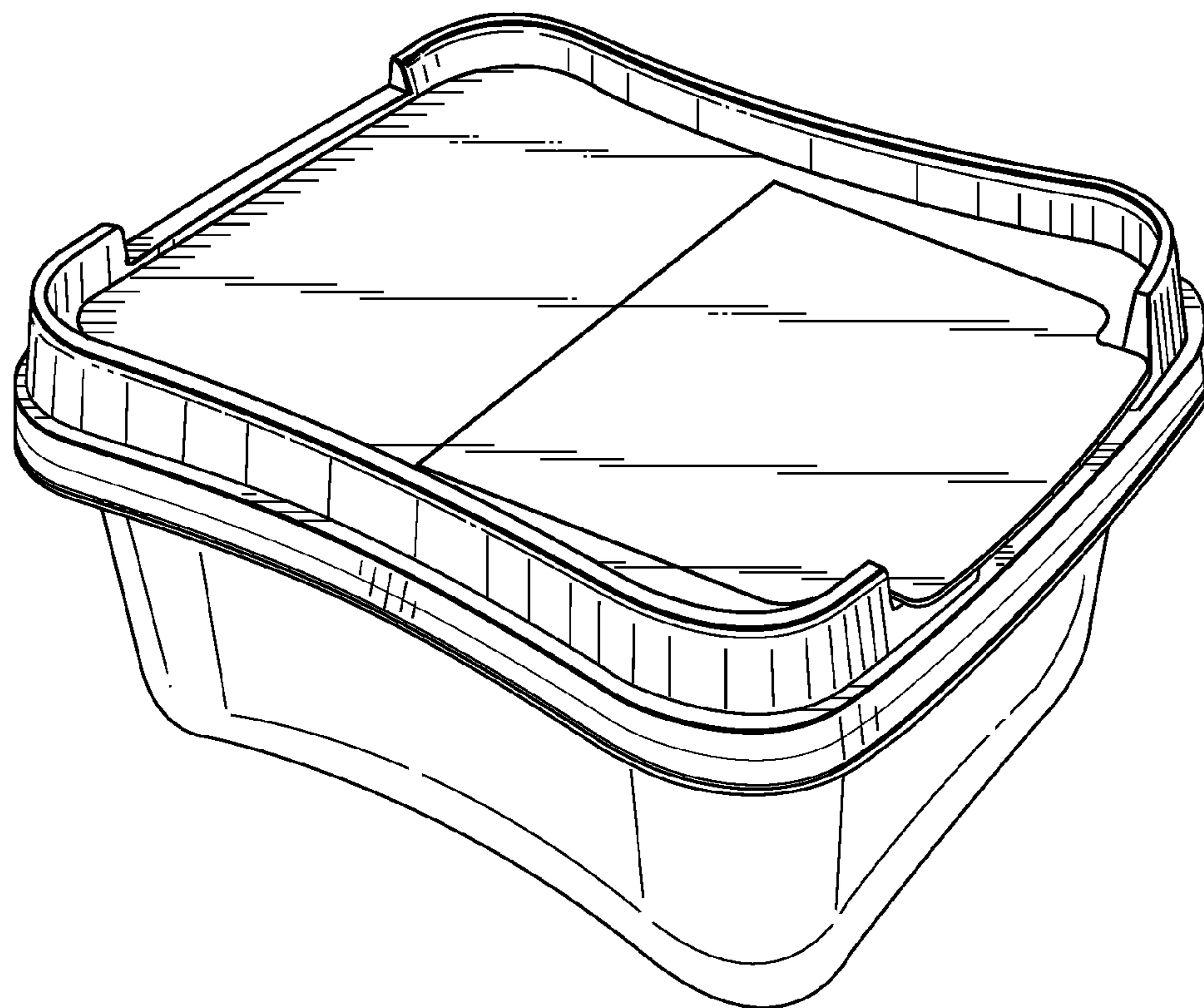


FIG. 2

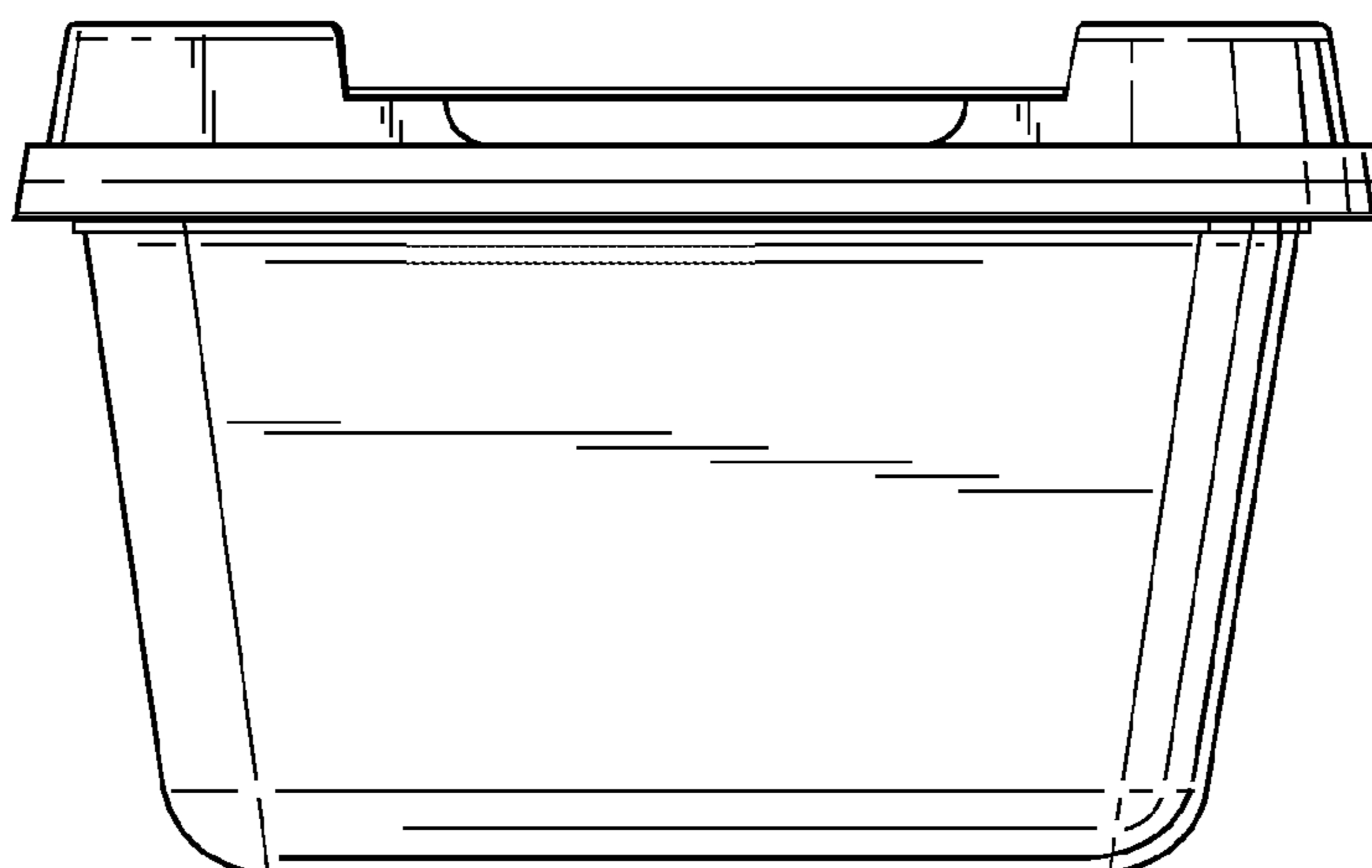


FIG. 3

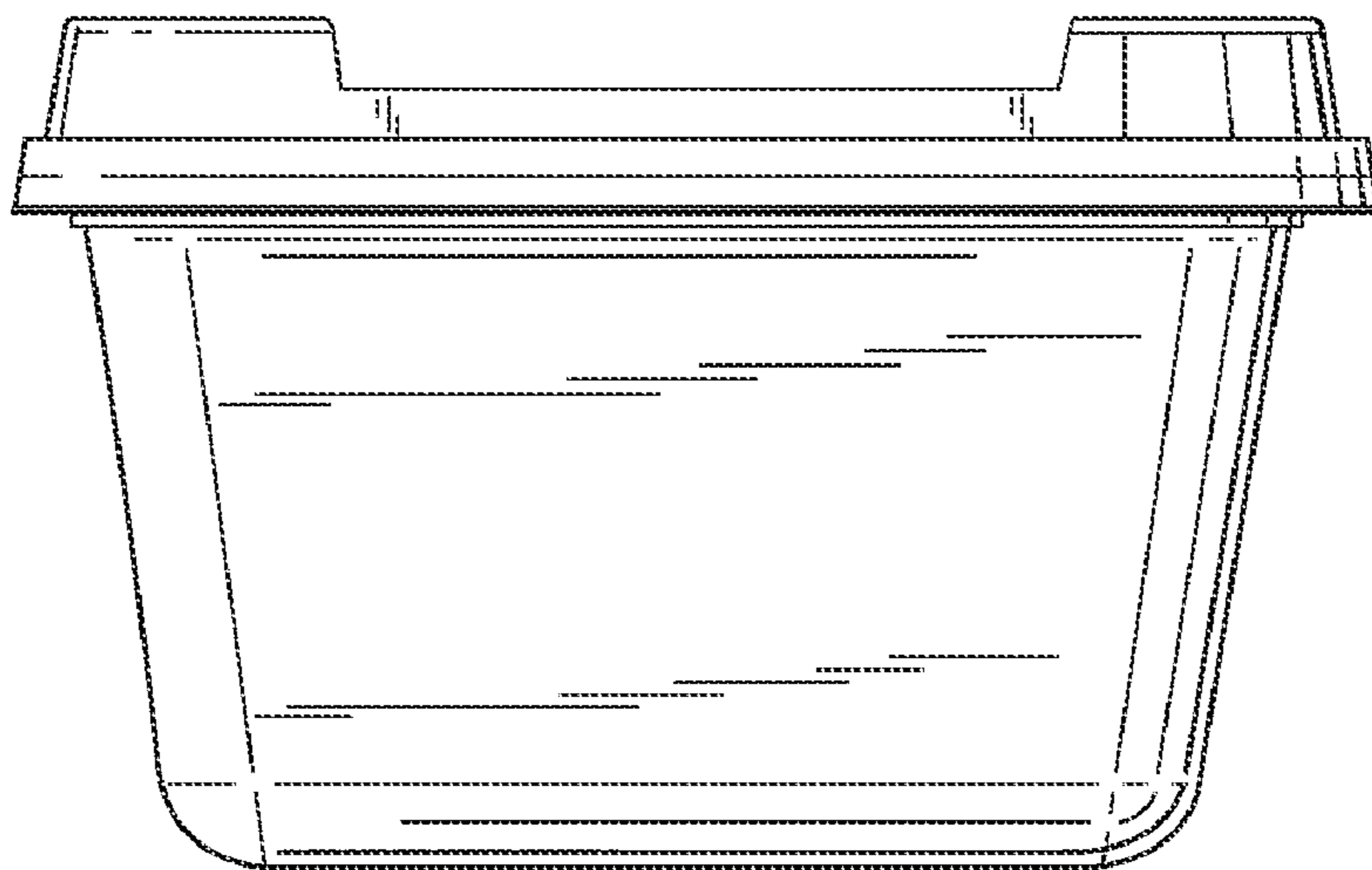


FIG. 4

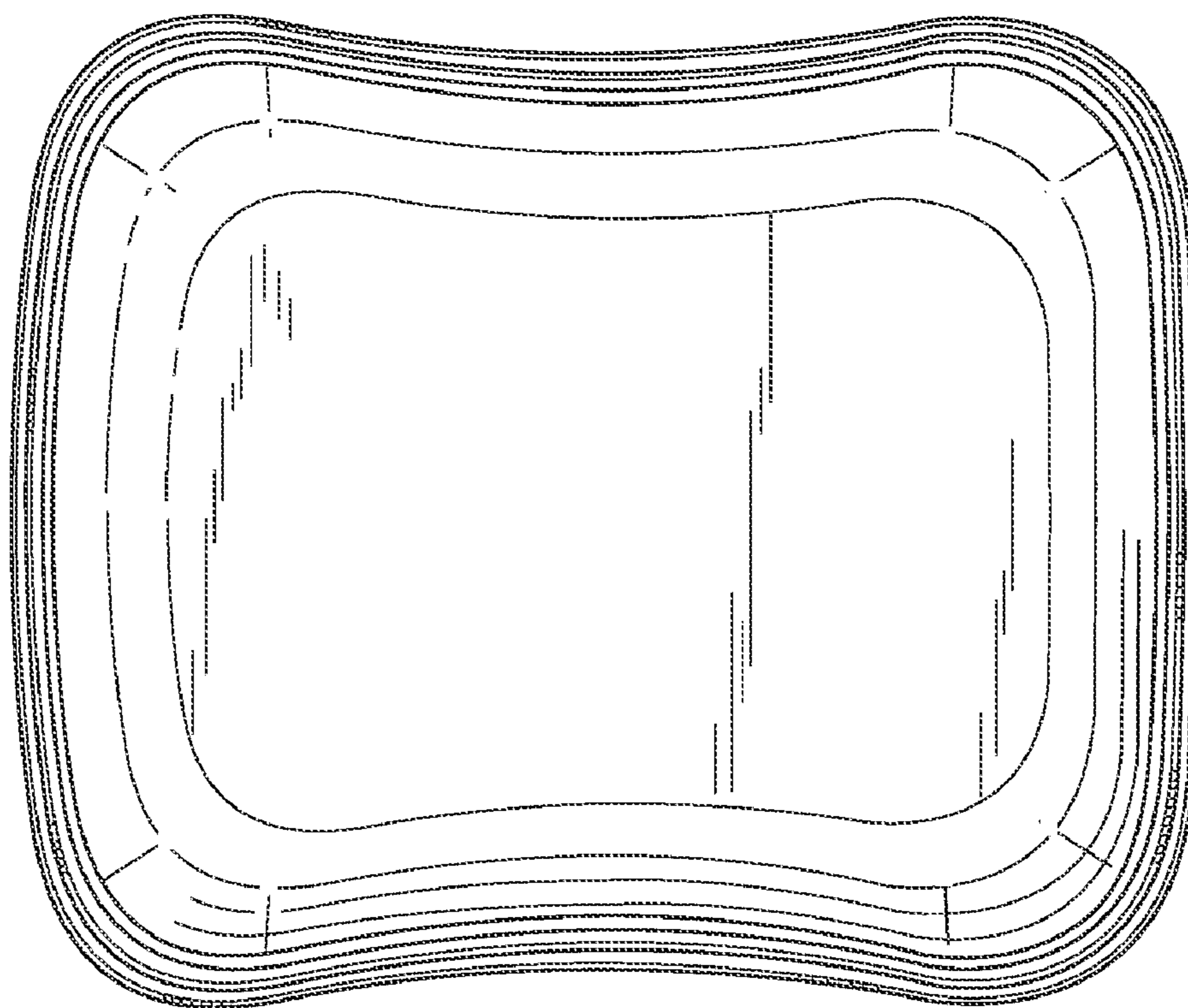


FIG. 5

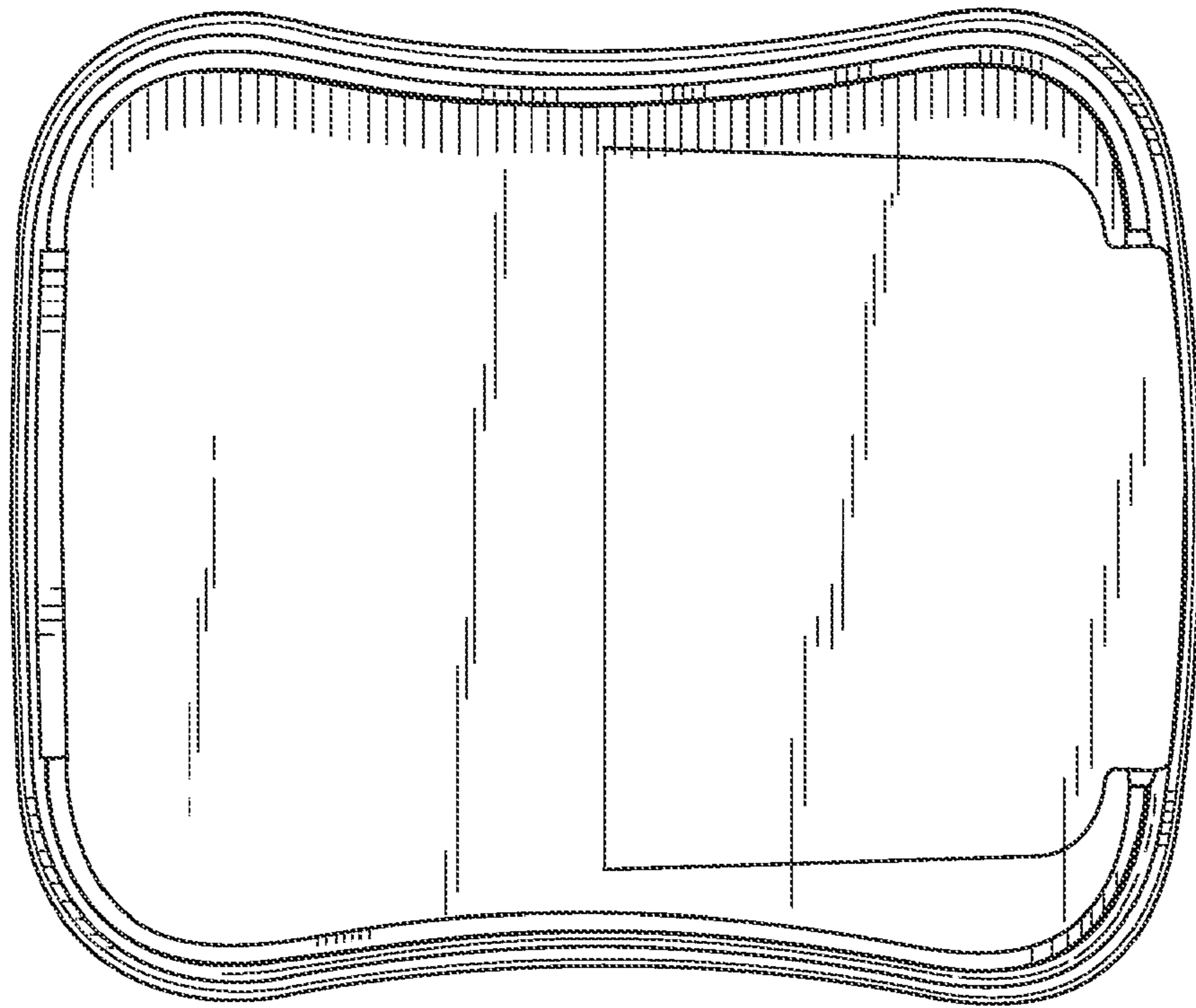


FIG. 6

