



US00D654785S

(12) **United States Design Patent**
Clorley

(10) **Patent No.:** **US D654,785 S**
(45) **Date of Patent:** **** Feb. 28, 2012**

(54) **CLAMPING BAND**

(76) **Inventor:** **Steven John Clorley, Hong Kong (CN)**

(**) **Term:** **14 Years**

(21) **Appl. No.:** **29/359,052**

(22) **Filed:** **Apr. 5, 2010**

(51) **LOC (9) Cl.** **08-08**

(52) **U.S. Cl.** **D8/396**

(58) **Field of Classification Search** D8/396;
D23/265; 24/247 R, 279; 285/252, 253;
220/320, 321; 292/256.69, 256.49, 317,
292/DIG. 49

See application file for complete search history.

(56) **References Cited**

U.S. PATENT DOCUMENTS

| | | | | | |
|--------------|------|---------|-----------------|-------|------------|
| 1,740,957 | A * | 12/1929 | Phillips | | 362/440 |
| 4,678,216 | A * | 7/1987 | Gregory | | 292/256.69 |
| 5,020,839 | A * | 6/1991 | Kalb | | 292/256.69 |
| 5,129,537 | A * | 7/1992 | Bordner et al. | | 220/321 |
| 5,219,088 | A * | 6/1993 | Reina | | 220/321 |
| 5,295,604 | A * | 3/1994 | Van Ryswyk | | 220/321 |
| 5,713,482 | A * | 2/1998 | Bordner et al. | | 220/321 |
| 5,947,320 | A * | 9/1999 | Bordner et al. | | 220/321 |
| 6,007,120 | A * | 12/1999 | Vogt et al. | | 292/256.69 |
| 6,540,097 | B1 * | 4/2003 | Beck et al. | | 220/321 |
| 7,243,962 | B2 * | 7/2007 | Stolzman | | 292/256.69 |
| 7,497,489 | B2 | 3/2009 | Baughman et al. | | |
| 2006/0220395 | A1 * | 10/2006 | Kuzelka | | 292/256.69 |
| 2008/0079265 | A1 * | 4/2008 | Baughman et al. | | 292/256.65 |
| 2009/0294449 | A1 * | 12/2009 | Taylor | | 220/321 |

FOREIGN PATENT DOCUMENTS

| | | | |
|----|-------------|----|---------|
| CH | 685488 | A5 | 7/1995 |
| CN | 101157402 | A | 4/2008 |
| JP | 2001-270549 | A | 10/2001 |

* cited by examiner

Primary Examiner — John Windmuller

(74) *Attorney, Agent, or Firm* — Buchanan Ingersoll & Rooney PC

(57) **CLAIM**

The ornamental design for a clamping band, as shown and described.

DESCRIPTION

FIG. 1 is a front view of a clamping band incorporating my new design, in a closed configuration.

FIG. 2 is a front view thereof in a first partially opened configuration.

FIG. 3 is a top view thereof in the closed configuration.

FIG. 4 is a left side view thereof in the closed configuration.

FIG. 5 is a top view thereof in the first partially opened configuration.

FIG. 6 is a left side view thereof in a first partially opened configuration.

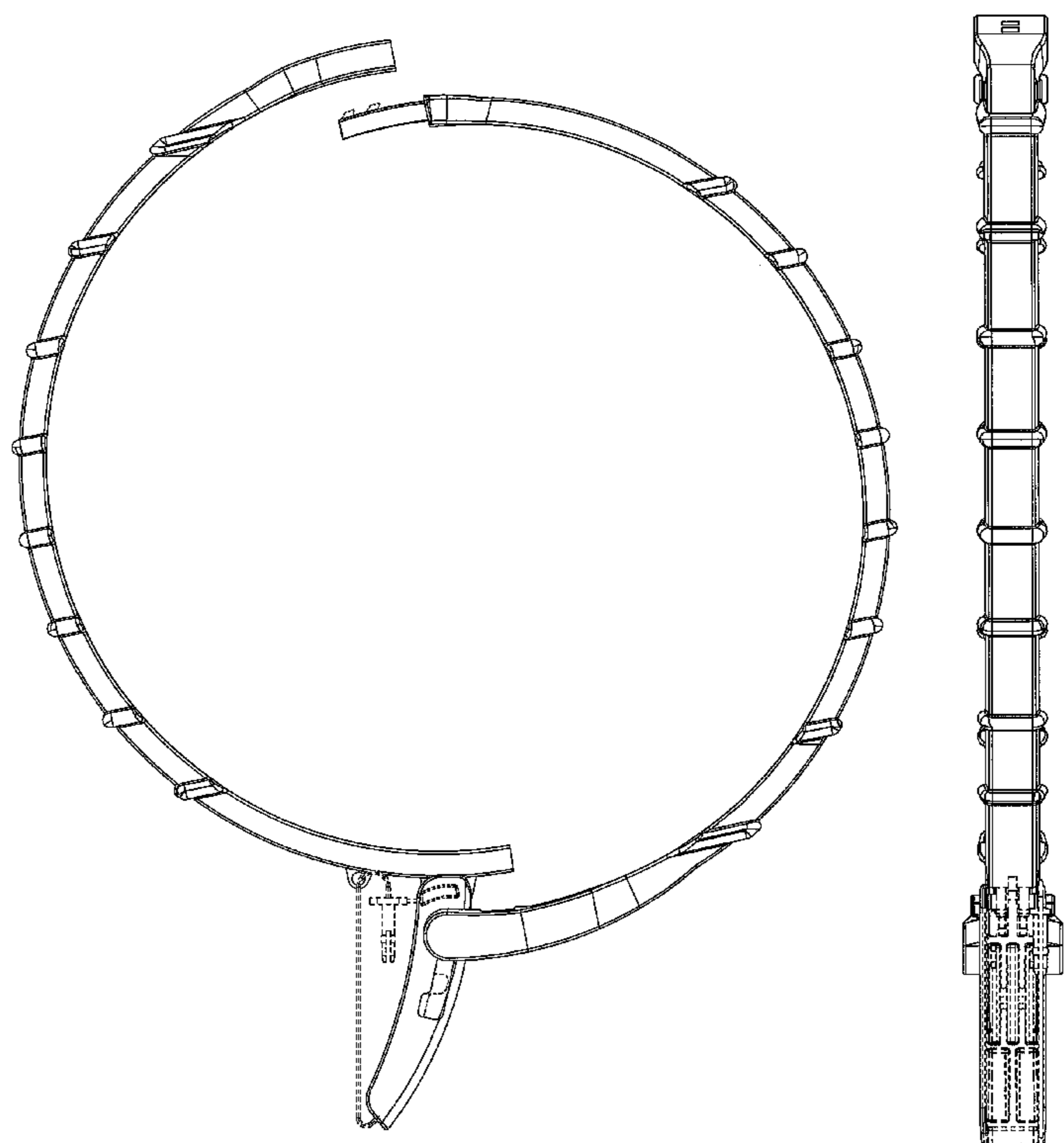
FIG. 7 is a front view thereof in a second partially opened configuration.

FIG. 8 is a top view thereof of the second partially opened configuration; and,

FIG. 9 is a left side view thereof in the second partially opened configuration.

The broken lines in the figures depict portions of the clamping band that form no part of the claimed design.

1 Claim, 9 Drawing Sheets



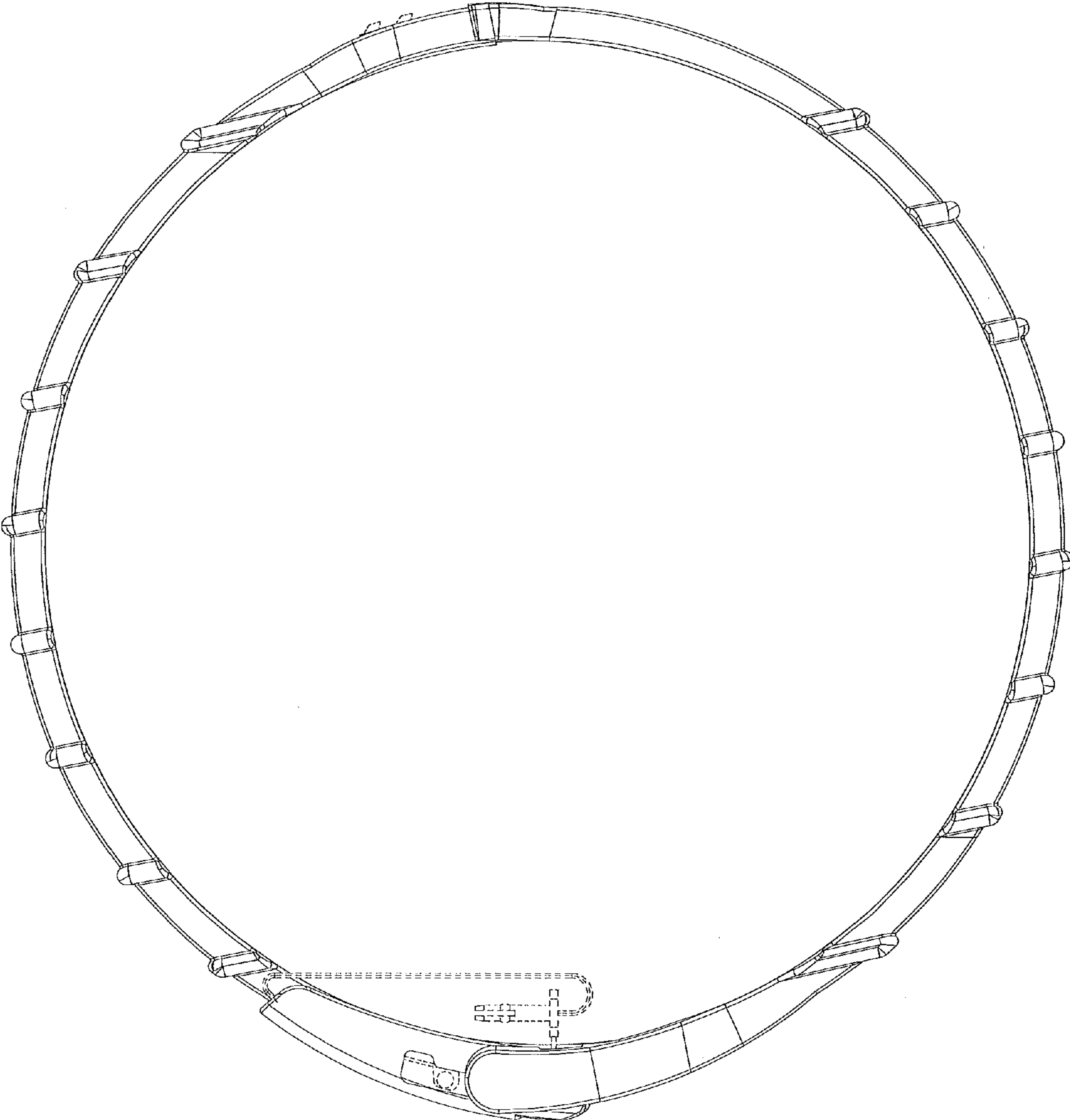


Fig. 1

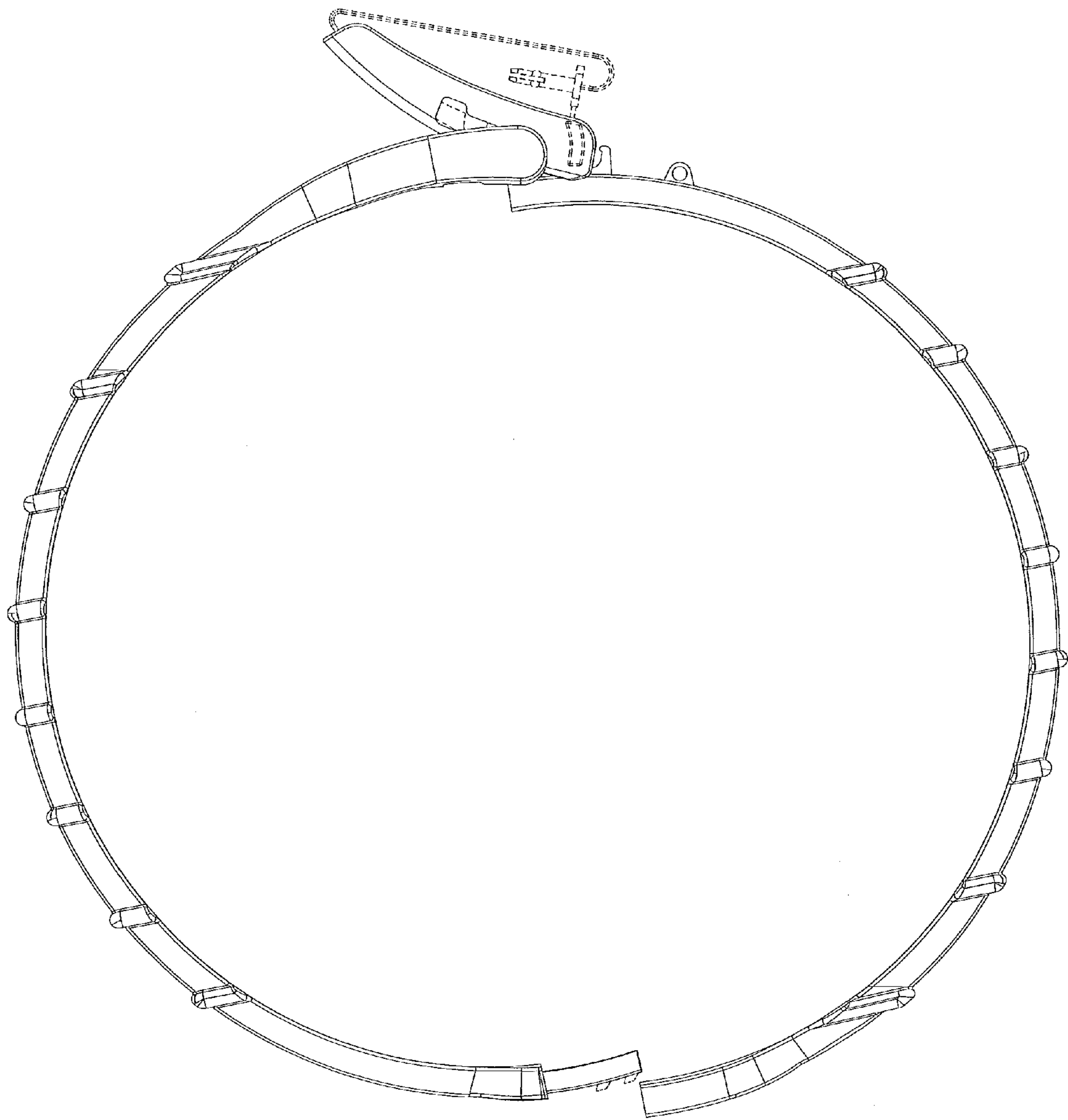


Fig. 2

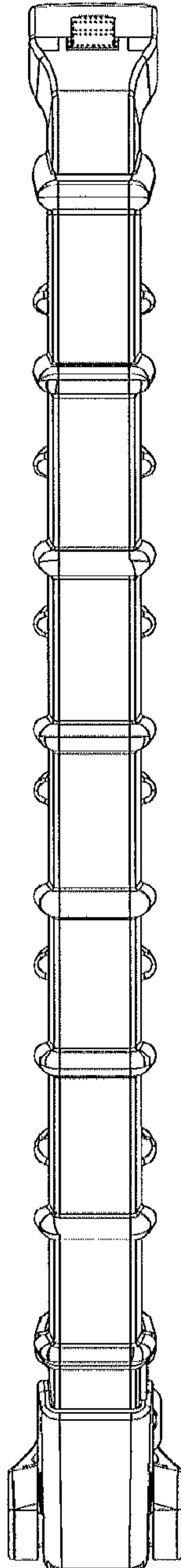


Fig. 3

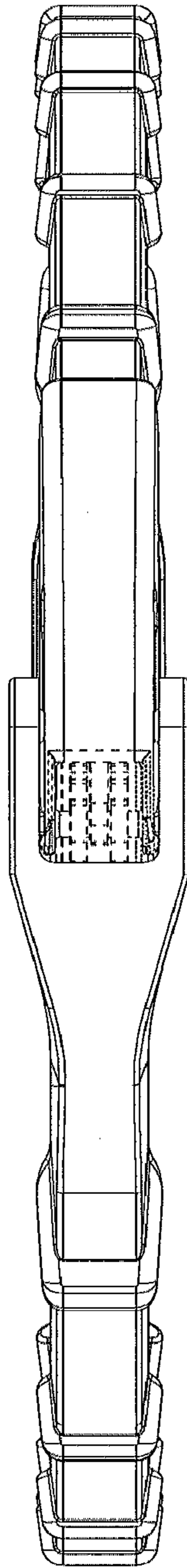


Fig. 4

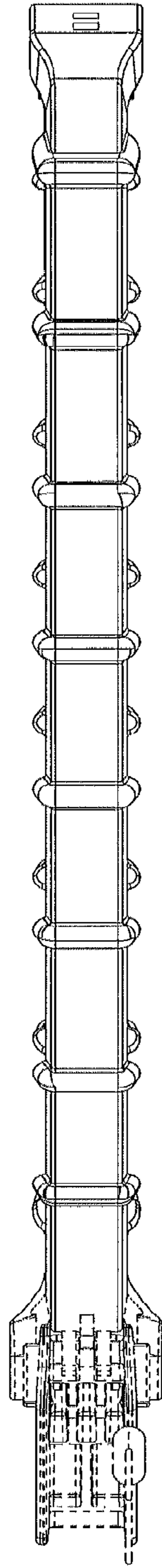


Fig. 5

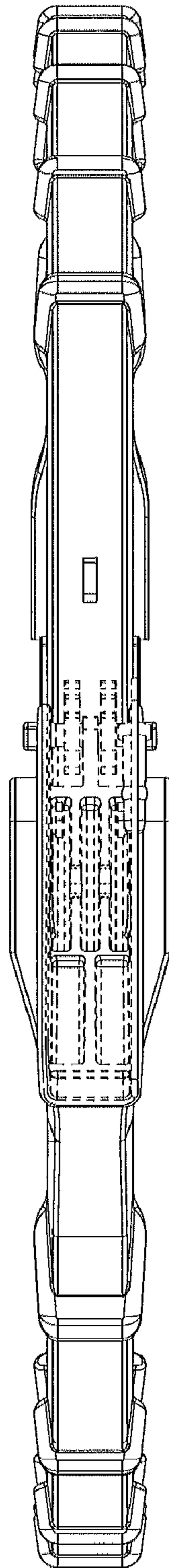


Fig. 6

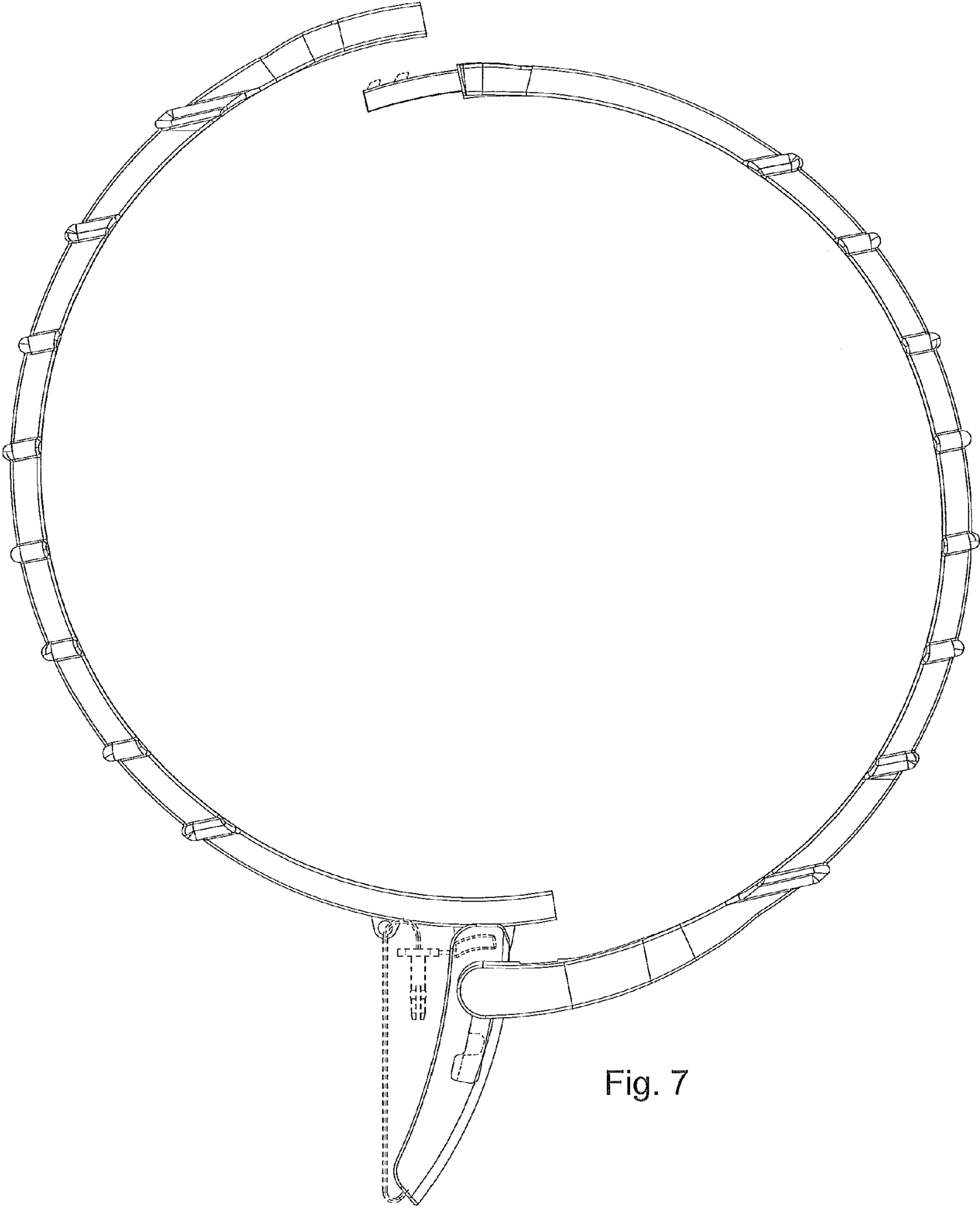


Fig. 7

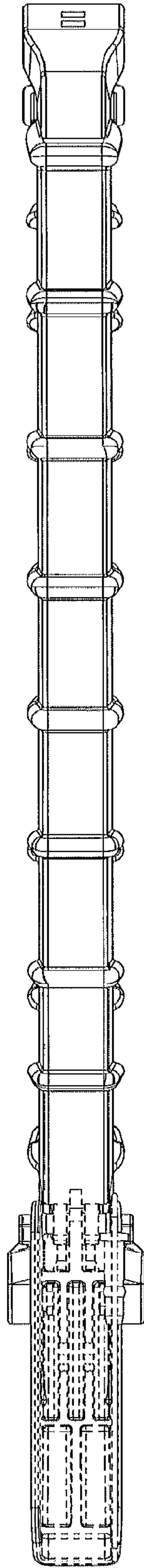


Fig. 8

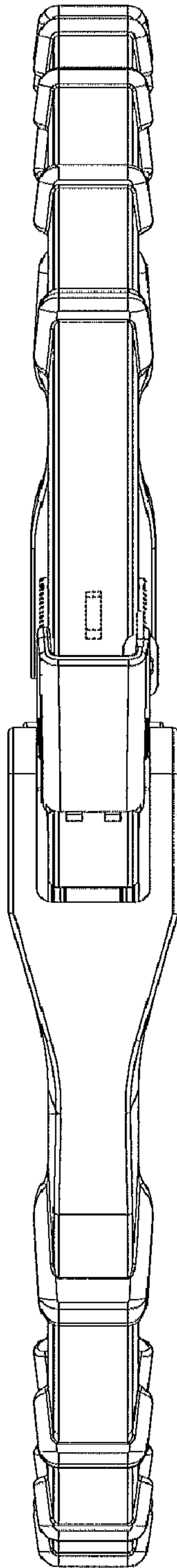


Fig. 9