



US00D654782S

(12) **United States Design Patent**  
**Peng**

(10) **Patent No.:** **US D654,782 S**

(45) **Date of Patent:** **\*\* Feb. 28, 2012**

(54) **OIL EXTRACTOR HOOK**

(76) Inventor: **I-Sin Peng**, Taichung (TW)

(\*\*) Term: **14 Years**

(21) Appl. No.: **29/376,991**

(22) Filed: **Oct. 15, 2010**

(51) **LOC (9) Cl.** ..... **08-05**

(52) **U.S. Cl.** ..... **D8/367**

(58) **Field of Classification Search** ..... 248/227.2,  
248/308, 215, 231.81, 301-304, 175, 63;  
16/256, 258; D8/367, 323, 382, 328, 356,  
D8/354, 372, 1; D12/115, 317, 162; 63/8,  
63/7, 12, 15, 1.14; D6/323; 70/59; 24/588.1,  
24/601, 599.9, 598.1, 599.6, 592.11, 452,  
24/601.5, 129 R, 600.9; 402/35; 114/218,  
114/114; 294/137, 158, 82.19; 410/101;  
182/3; D11/210; D3/207

See application file for complete search history.

(56) **References Cited**

**U.S. PATENT DOCUMENTS**

2,480,479	A *	8/1949	Keleher	.....	248/215
D270,516	S *	9/1983	Achille	.....	D8/354
D301,833	S *	6/1989	Hoover	.....	D8/354
D330,850	S *	11/1992	Roick	.....	D8/367
D348,386	S *	7/1994	Cogburn	.....	D8/373
D372,420	S *	8/1996	Mendez	.....	D8/383

D417,807	S *	12/1999	McBarnette	.....	D6/513
6,536,730	B1 *	3/2003	Baer	.....	248/304
D479,378	S *	9/2003	Simpson	.....	D34/35
D601,880	S *	10/2009	Veilleux	.....	D8/367
7,793,390	B2 *	9/2010	Mills et al.	.....	24/129 R
2005/0076602	A1 *	4/2005	Routhier	.....	52/698

\* cited by examiner

*Primary Examiner* — Cynthia Underwood

(74) *Attorney, Agent, or Firm* — Jackson IPG PLLC;  
Demian K. Jackson

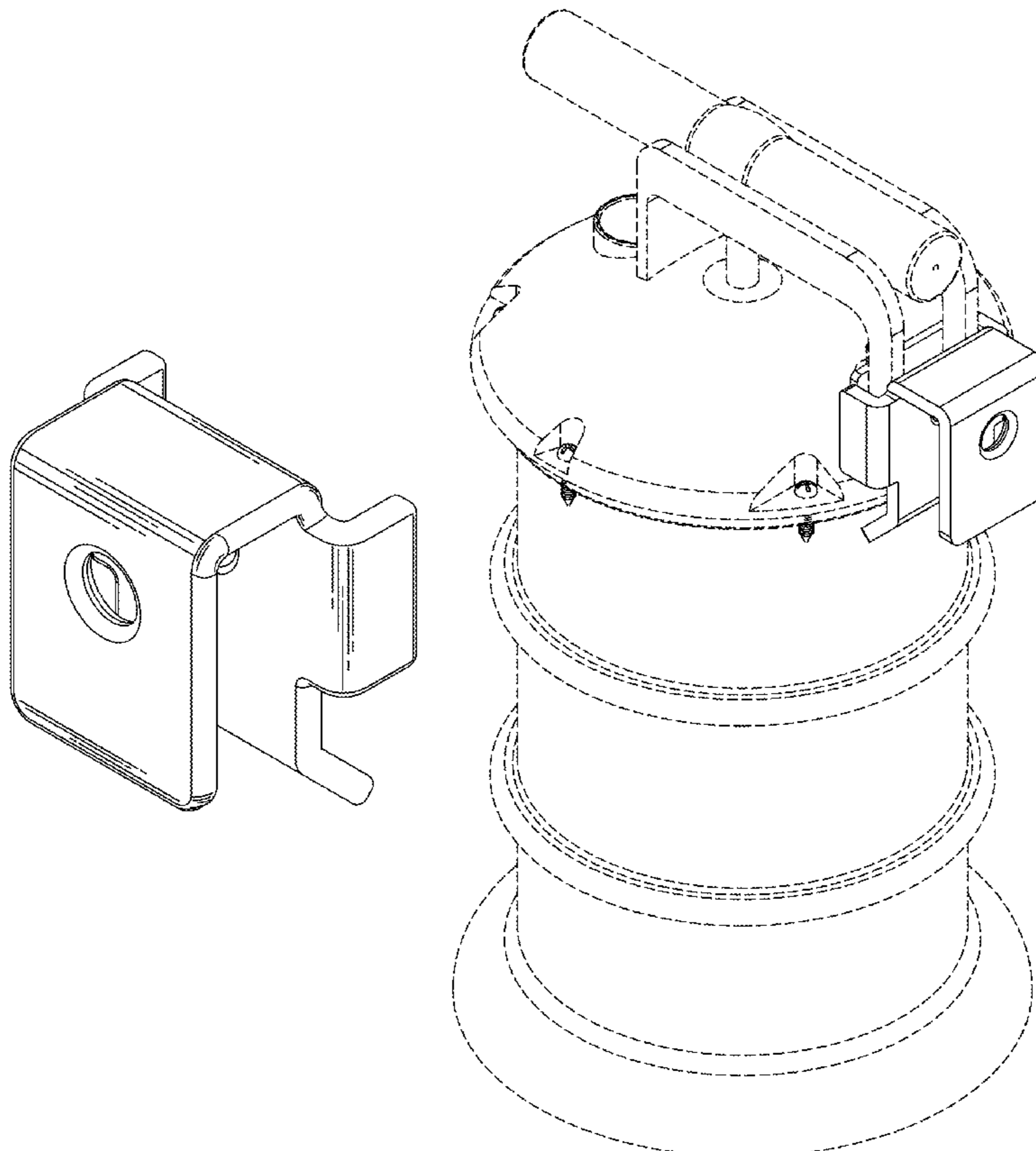
(57) **CLAIM**

The ornamental design for an oil extractor hook, as shown and described.

**DESCRIPTION**

The FIG. 1 is a rear elevation view thereof with the broken lines forming no part of the claim;  
FIG. 2 is a front elevation view thereof;  
FIG. 3 is a left side view thereof;  
FIG. 4 is a right side view thereof;  
FIG. 5 is a top plan view thereof;  
FIG. 6 is a bottom plan view thereof; and,  
FIG. 7 is a perspective view of an oil extractor hook showing my new design.  
FIG. 8 is a perspective view shown in an environment of use, with broken lines forming no part of the claim.

**1 Claim, 5 Drawing Sheets**



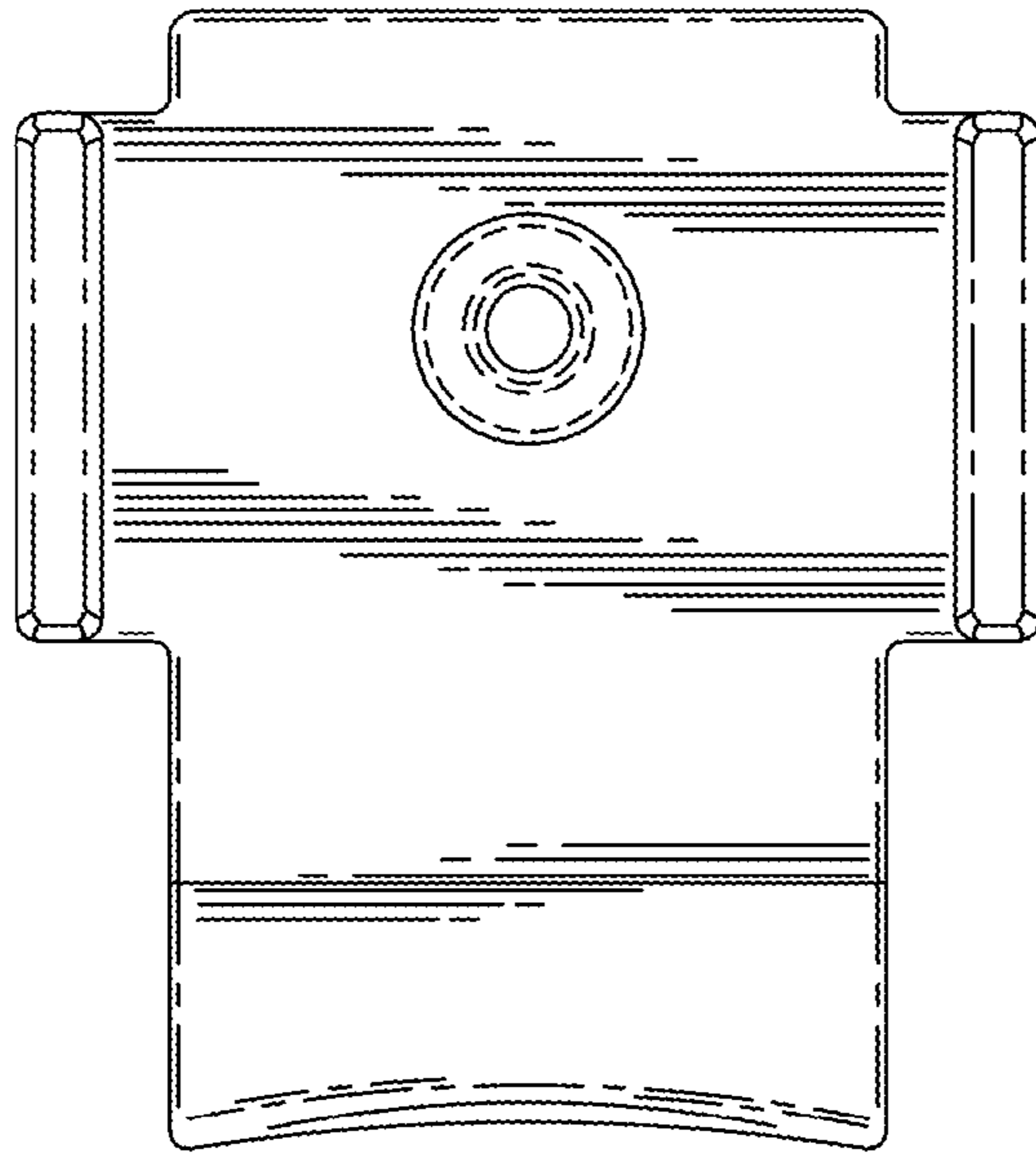


Fig. 1

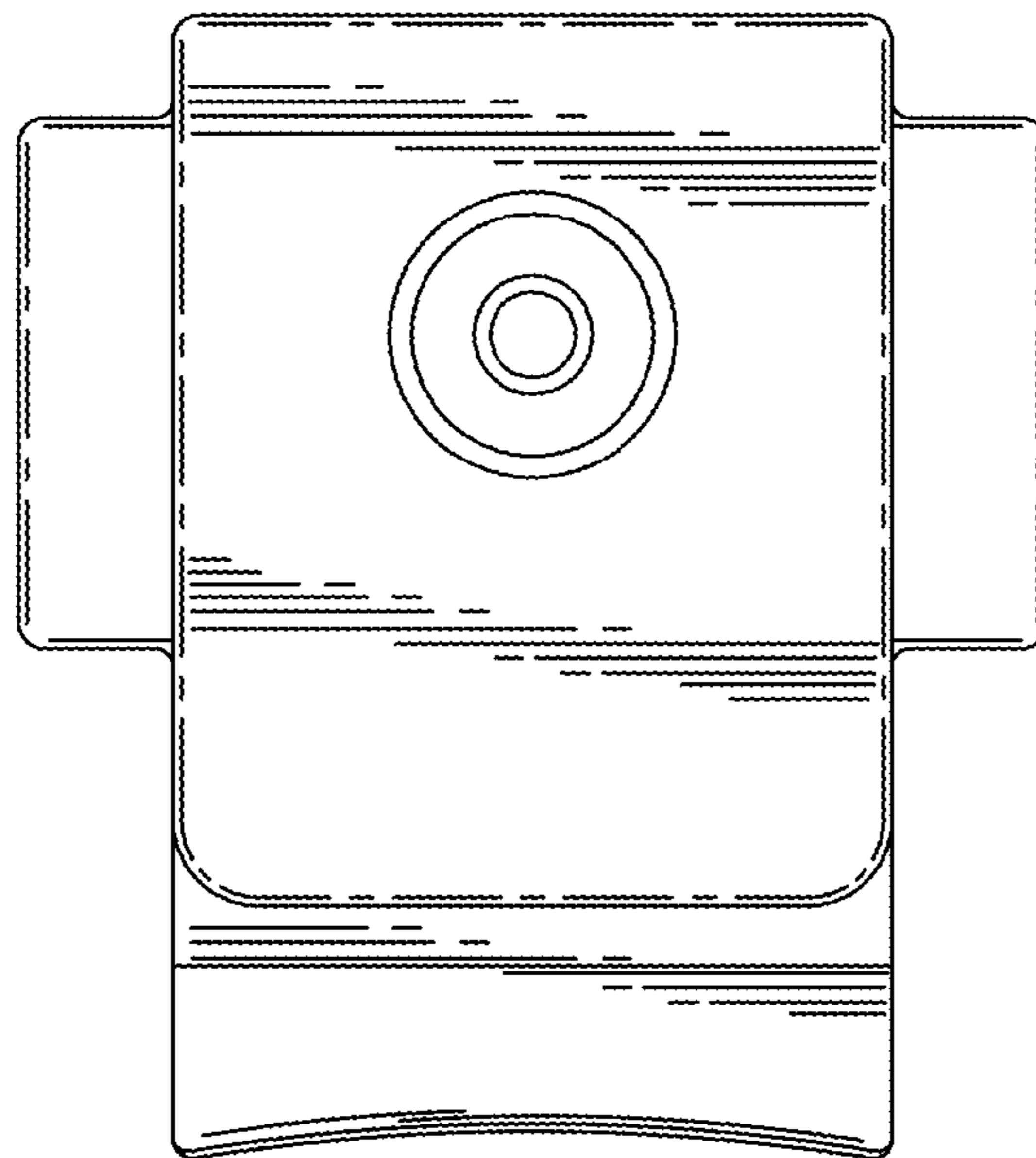


Fig. 2

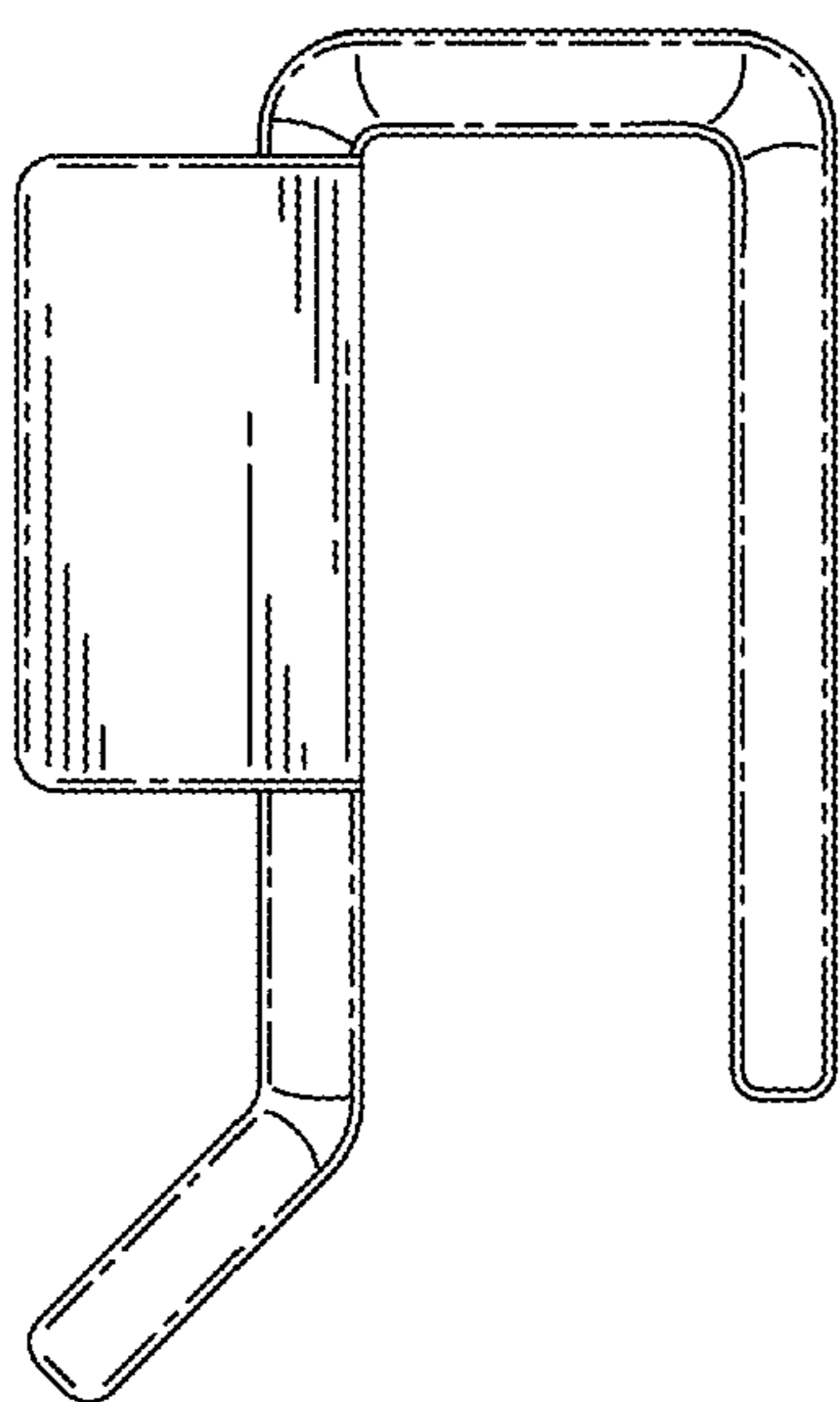


Fig. 3

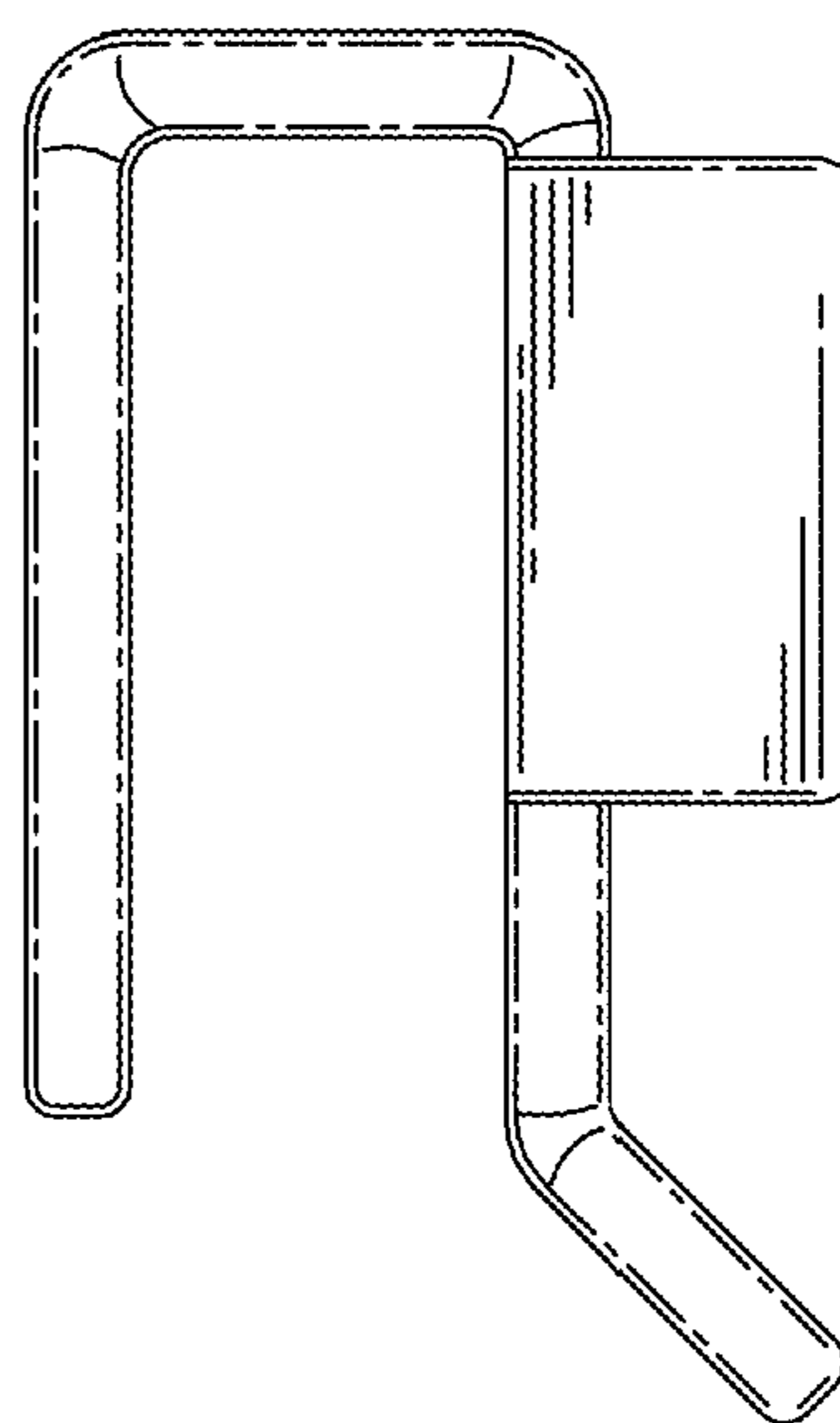


Fig. 4

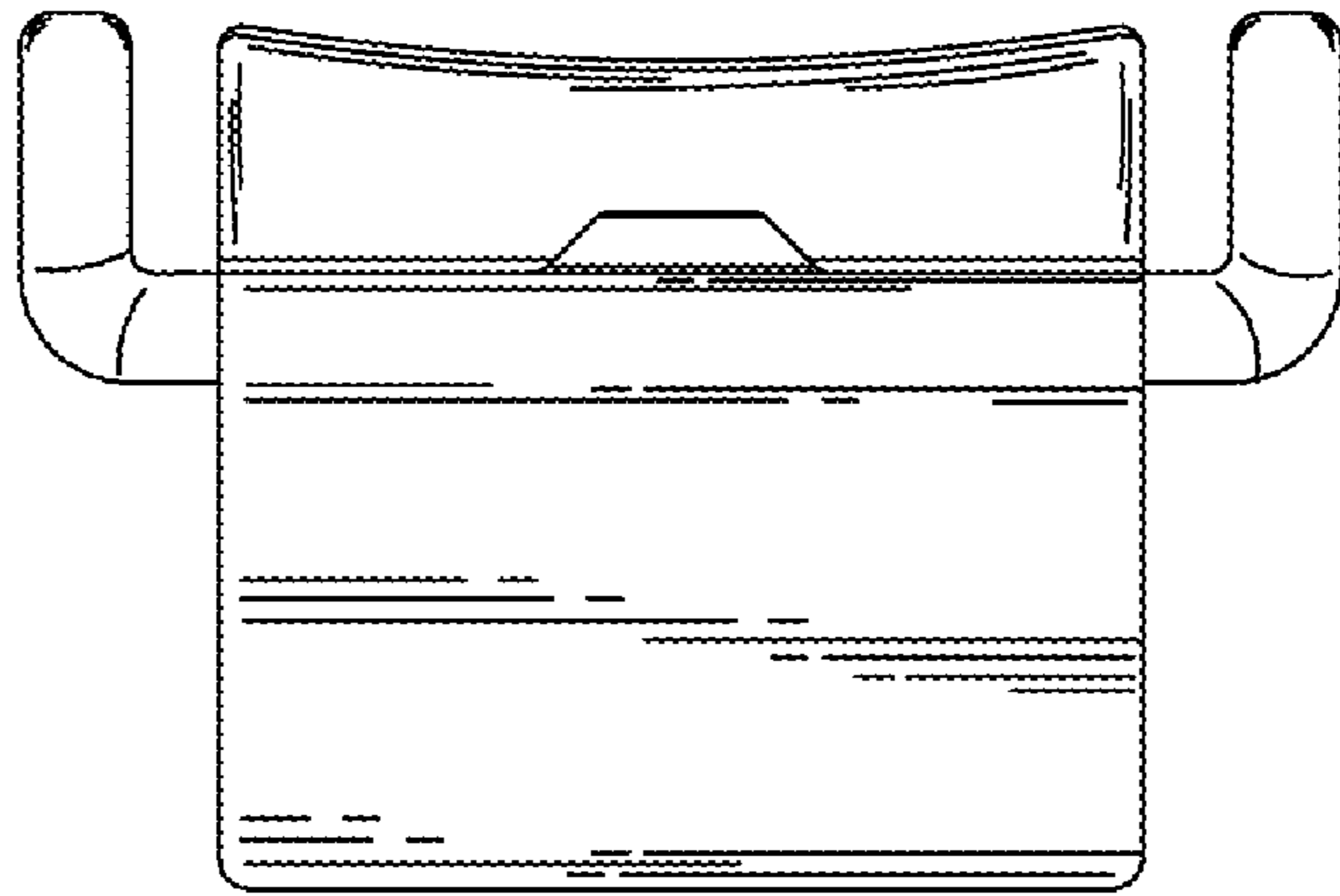


Fig. 5

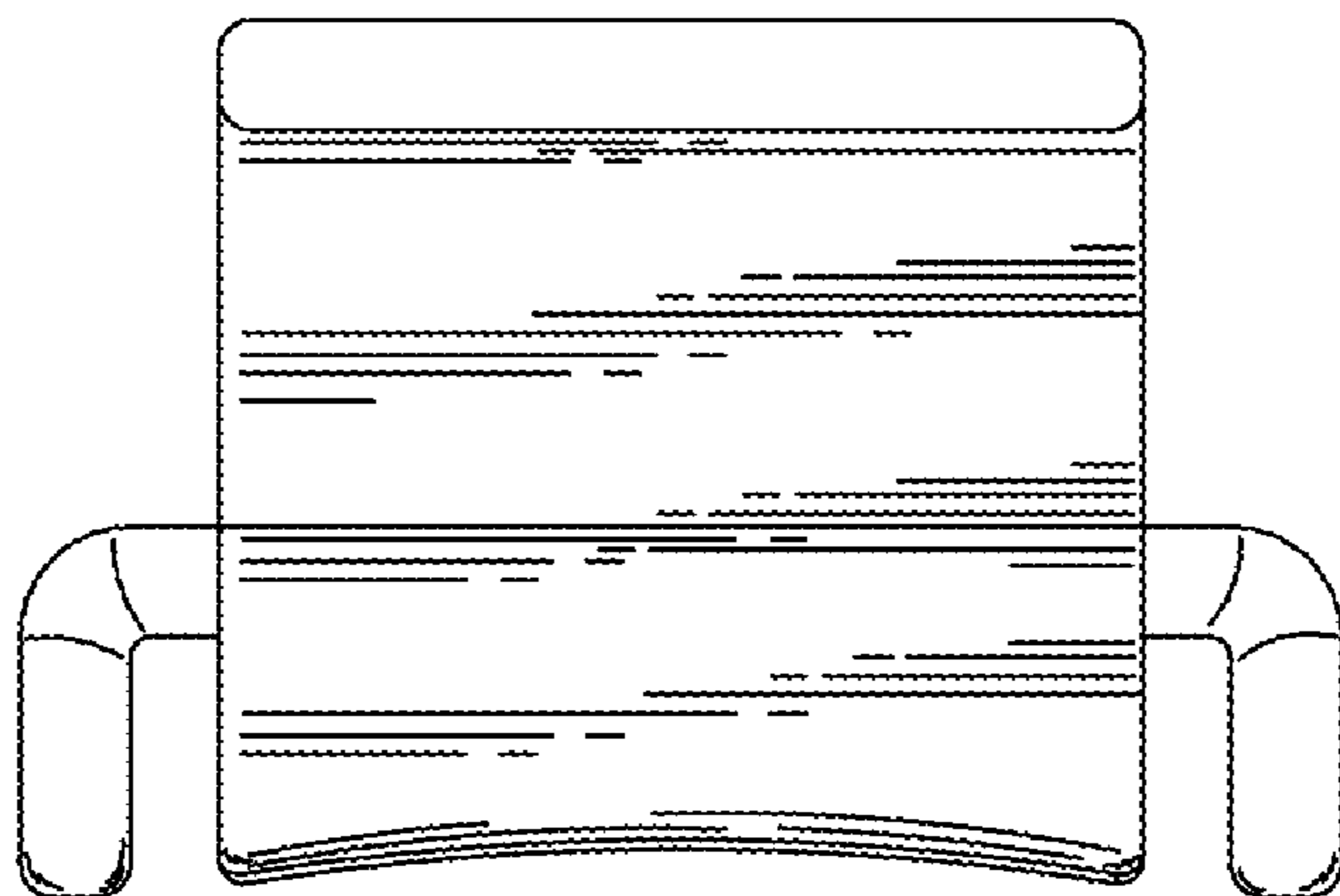


Fig. 6

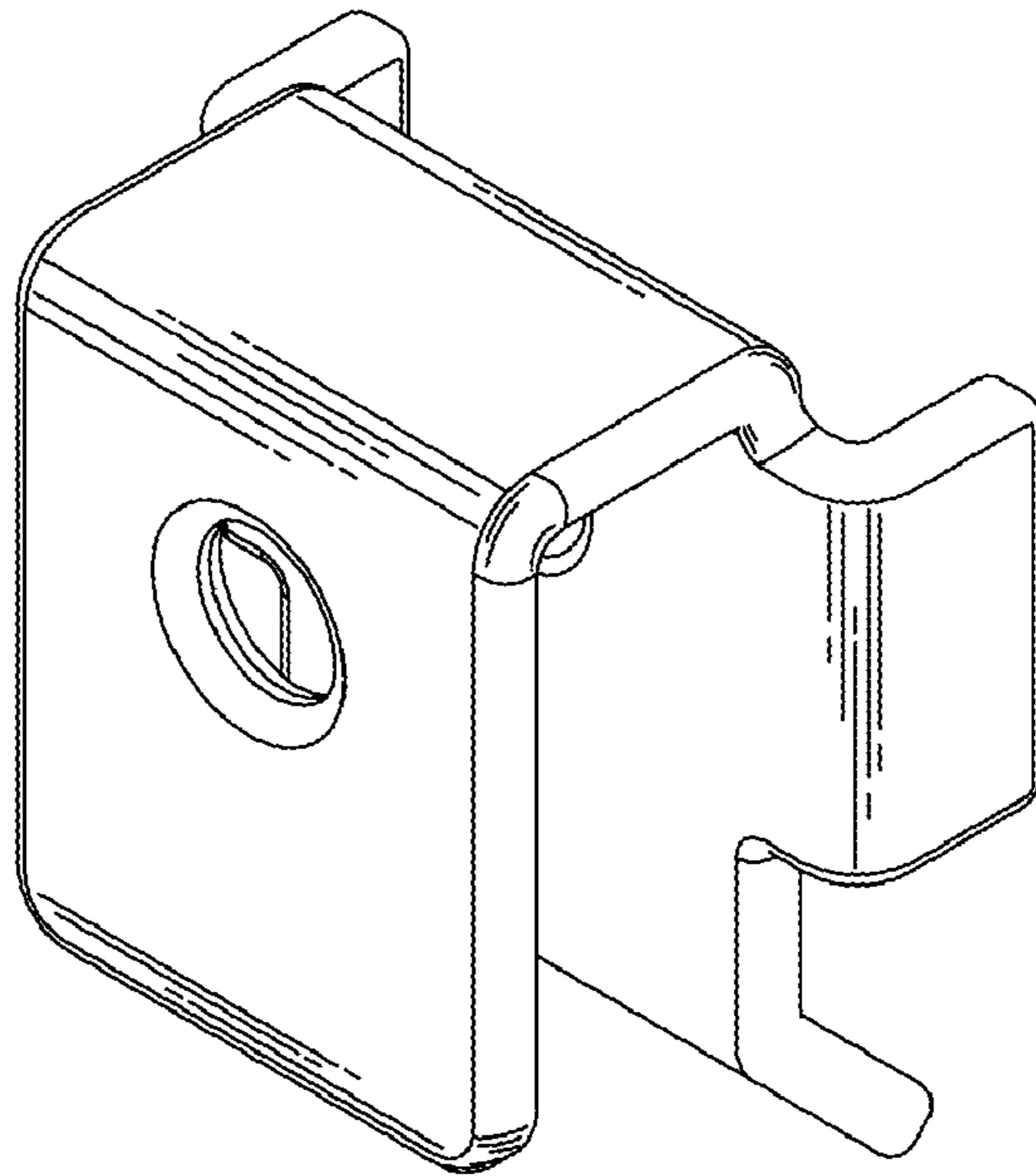


Fig. 7

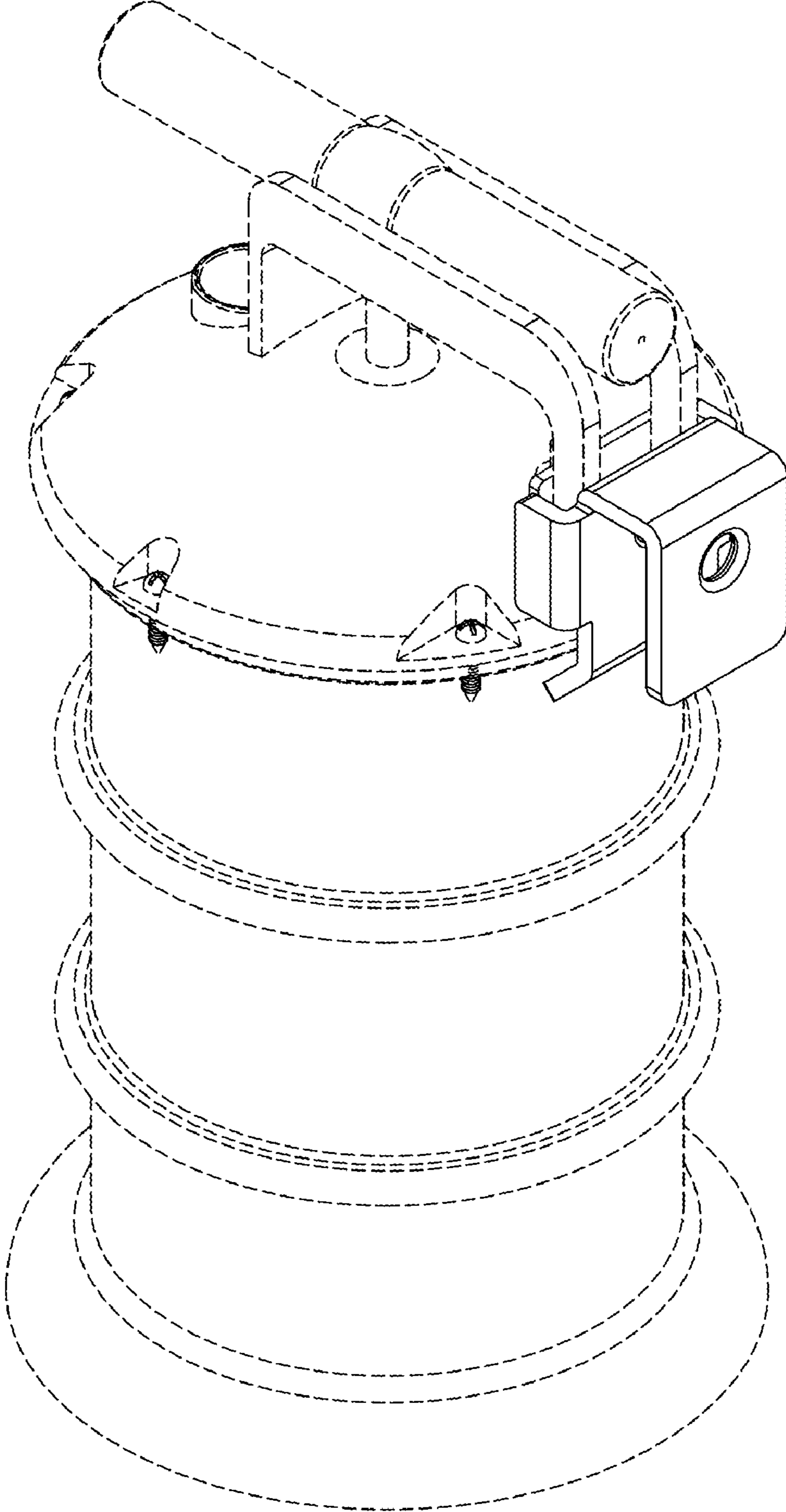


Fig. 8