

US00D654781S

(12) **United States Design Patent**
Tsai

(10) **Patent No.:** **US D654,781 S**

(45) **Date of Patent:** **** Feb. 28, 2012**

(54) **RETRACTABLE PULL REEL**

(76) Inventor: **Hai Pin Tsai**, Kowloon (HK)

(**) Term: **14 Years**

(21) Appl. No.: **29/367,055**

(22) Filed: **Aug. 2, 2010**

(51) **LOC (9) Cl.** **08-05**

(52) **U.S. Cl.** **D8/359**

(58) **Field of Classification Search** D8/356,
D8/358, 359; D30/160; D19/67, 69; D13/137.4,
D13/154; D10/72; 379/438; 242/170, 223,
242/371, 404, 405, 570, 601, 381.5, 381.6,
242/358, 405.3, 395, 385.1, 388; 191/12.2 R,
191/12.4; 446/26; 33/755-771
See application file for complete search history.

(56) **References Cited**

U.S. PATENT DOCUMENTS

| | | | | |
|--------------|---------|----------------|-------|--------|
| D561,566 S * | 2/2008 | Perez Delgado | | D8/358 |
| D573,491 S * | 7/2008 | Tsai | | D10/72 |
| D573,493 S * | 7/2008 | Tsai | | D10/72 |
| D581,256 S * | 11/2008 | Jiang | | D8/358 |
| D584,937 S * | 1/2009 | Kovacik et al. | | D8/358 |
| D595,121 S * | 6/2009 | Murphy | | D8/358 |

| | | | | |
|--------------|--------|----------------|-------|-----------|
| D624,020 S * | 9/2010 | Kovacik et al. | | D13/137.4 |
| D635,039 S * | 3/2011 | Tsai | | D10/72 |
| D635,040 S * | 3/2011 | Tsai | | D10/72 |
| D635,041 S * | 3/2011 | Tsai | | D10/72 |

* cited by examiner

Primary Examiner — Susan Bennett Hattan

Assistant Examiner — Barbara B Lohr

(74) *Attorney, Agent, or Firm* — Intellectual Property Law Group LLP

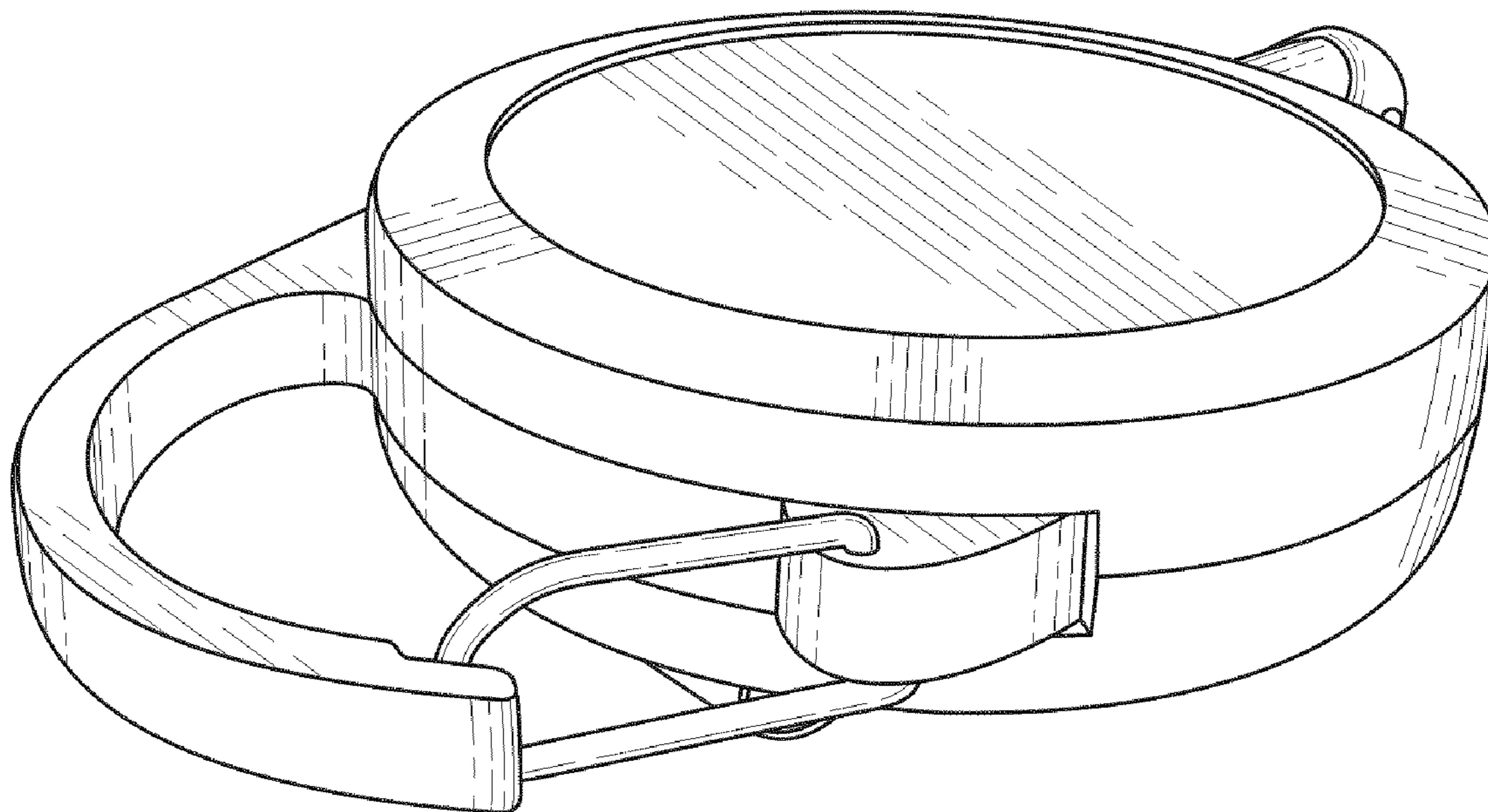
(57) **CLAIM**

The ornamental design for a retractable pull reel, as shown and described.

DESCRIPTION

FIG. 1 is a front, top, right side perspective view of a retractable pull reel embodying my new design;
FIG. 2 is a rear, bottom, left side perspective view thereof;
FIG. 3 is a front elevational view thereof;
FIG. 4 is a rear elevational view thereof;
FIG. 5 is a right side elevational view thereof;
FIG. 6 is a left side elevational view thereof;
FIG. 7 is a top plan view thereof; and,
FIG. 8 is a bottom plan view thereof.

1 Claim, 3 Drawing Sheets



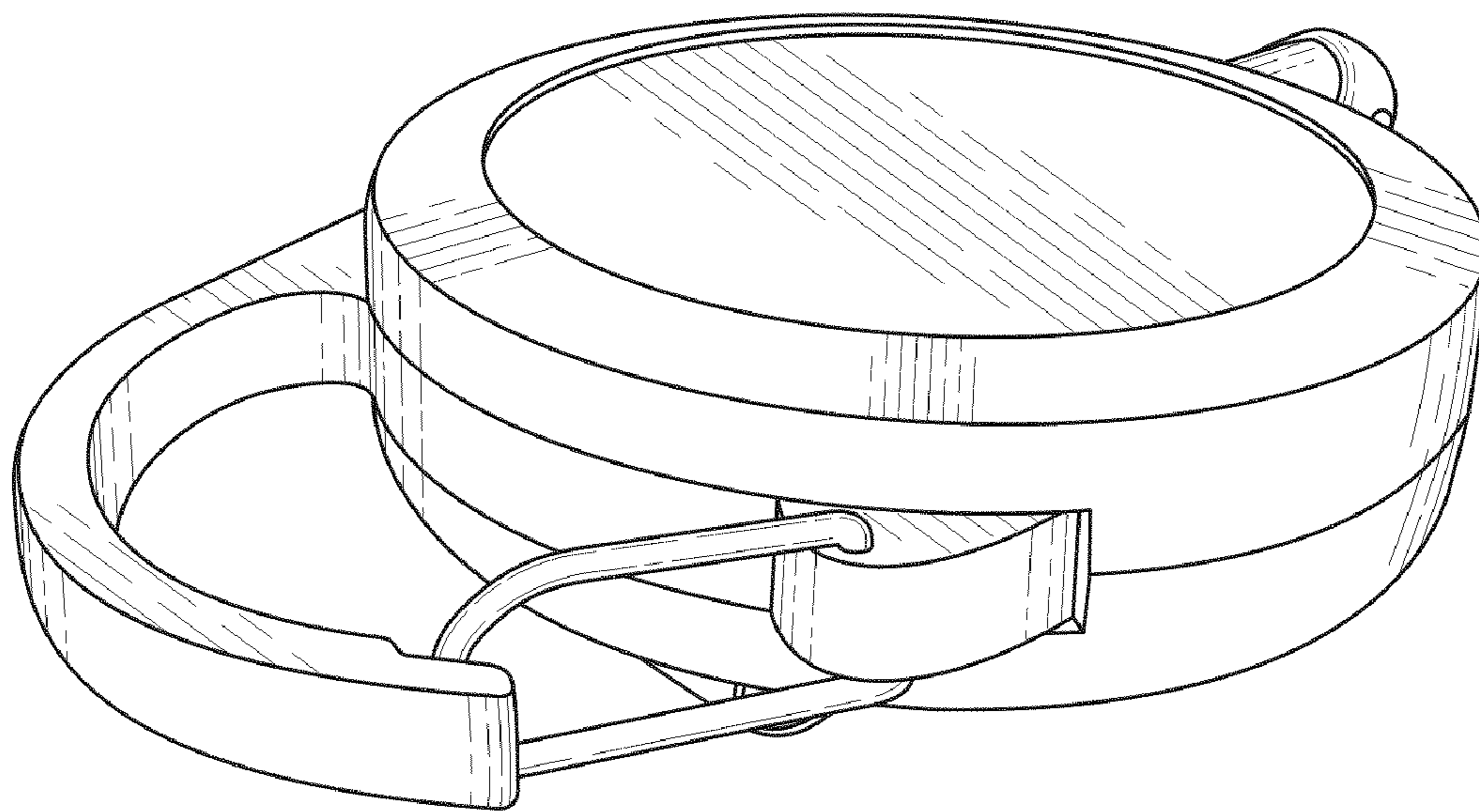


FIG. 1

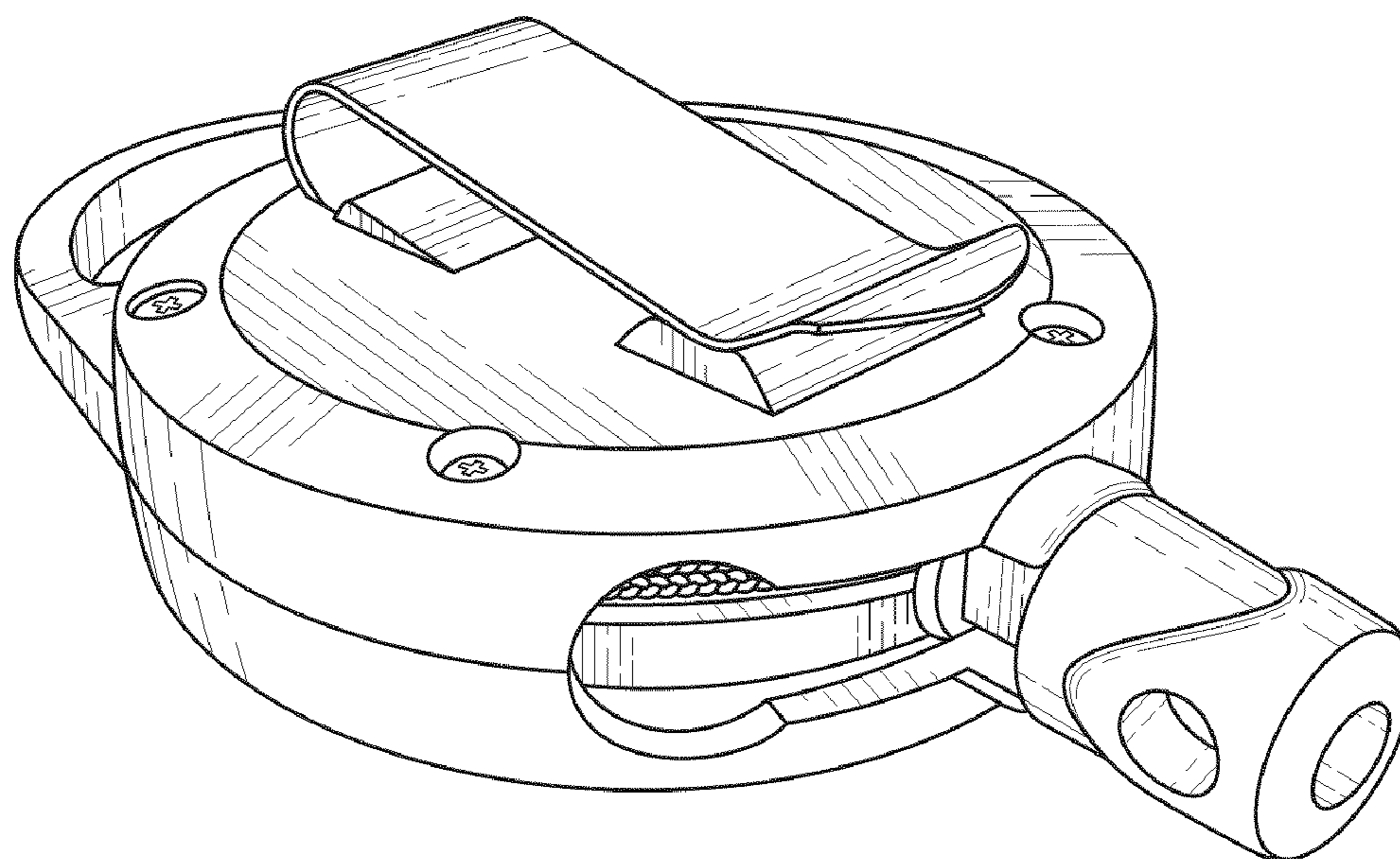


FIG. 2

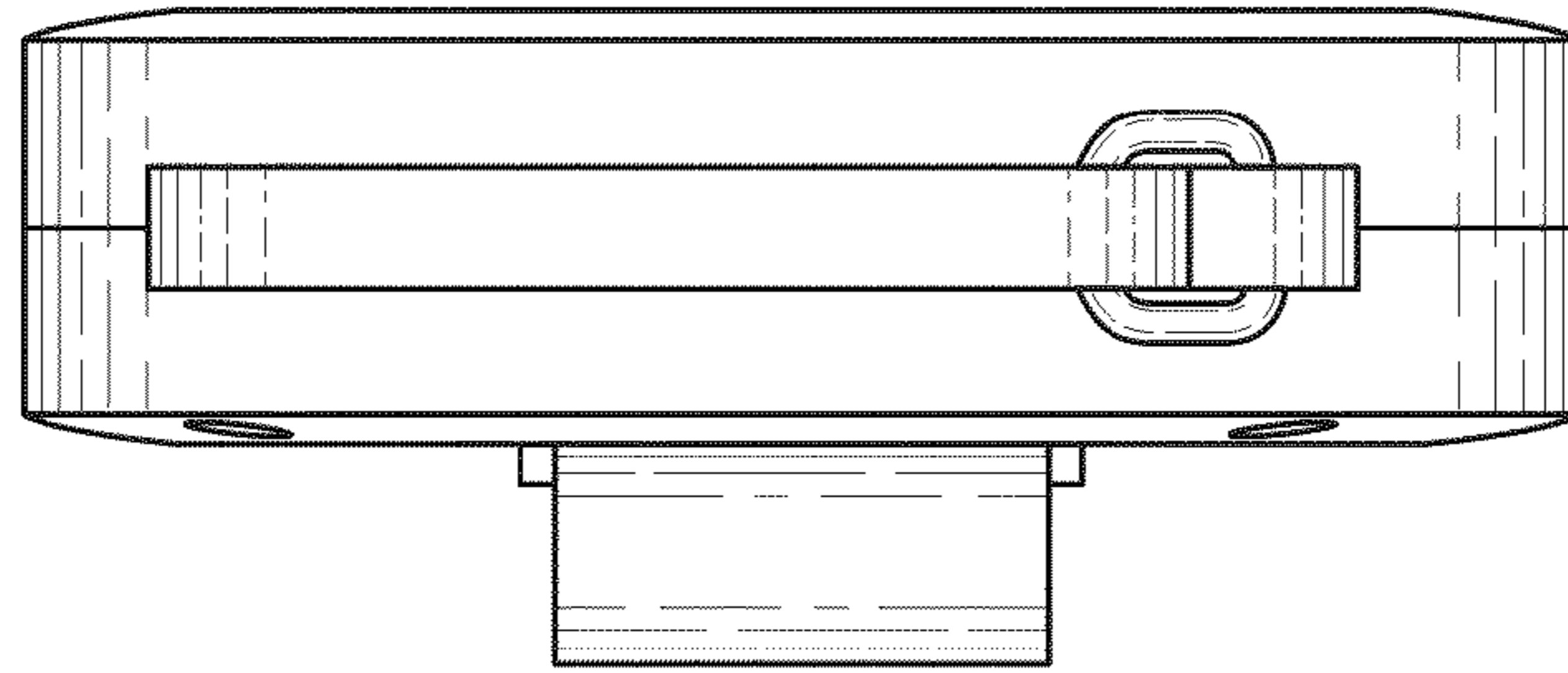


FIG. 3

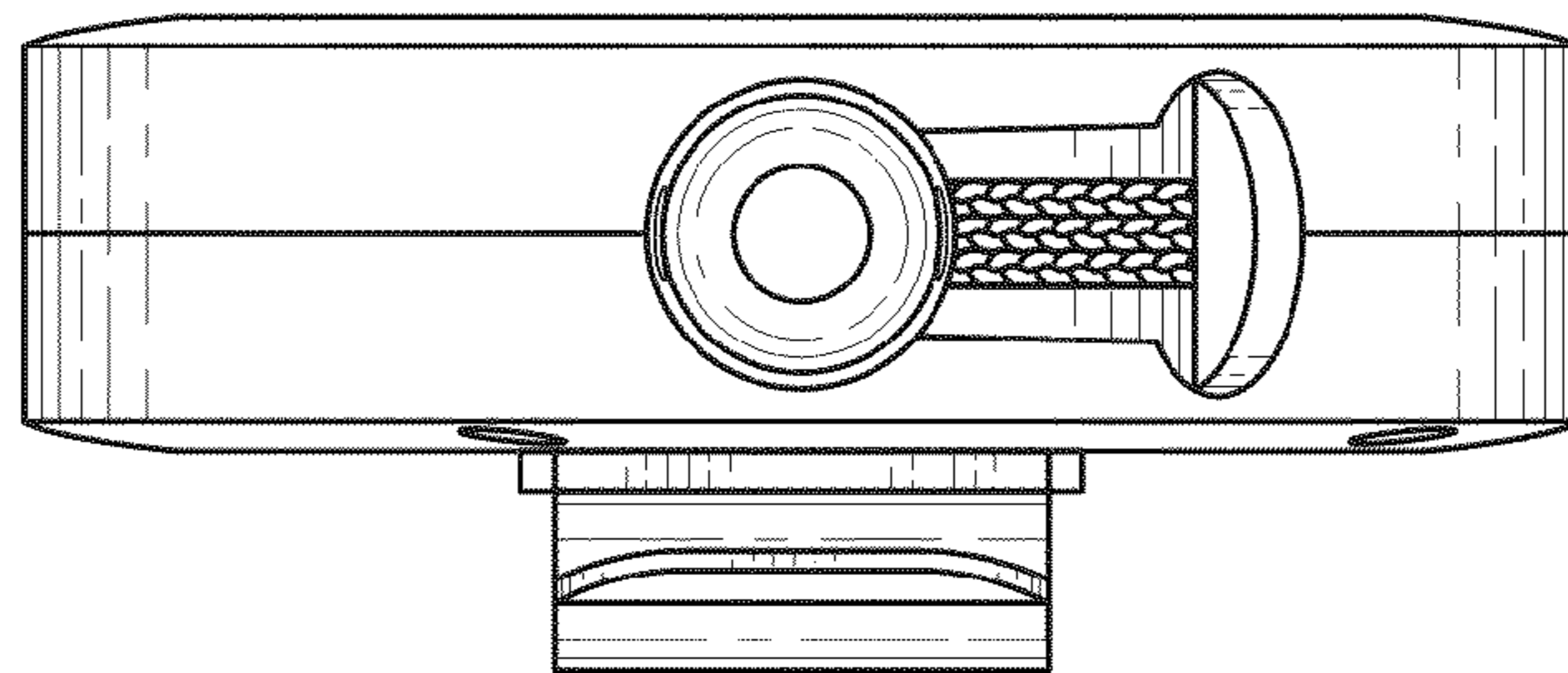


FIG. 4

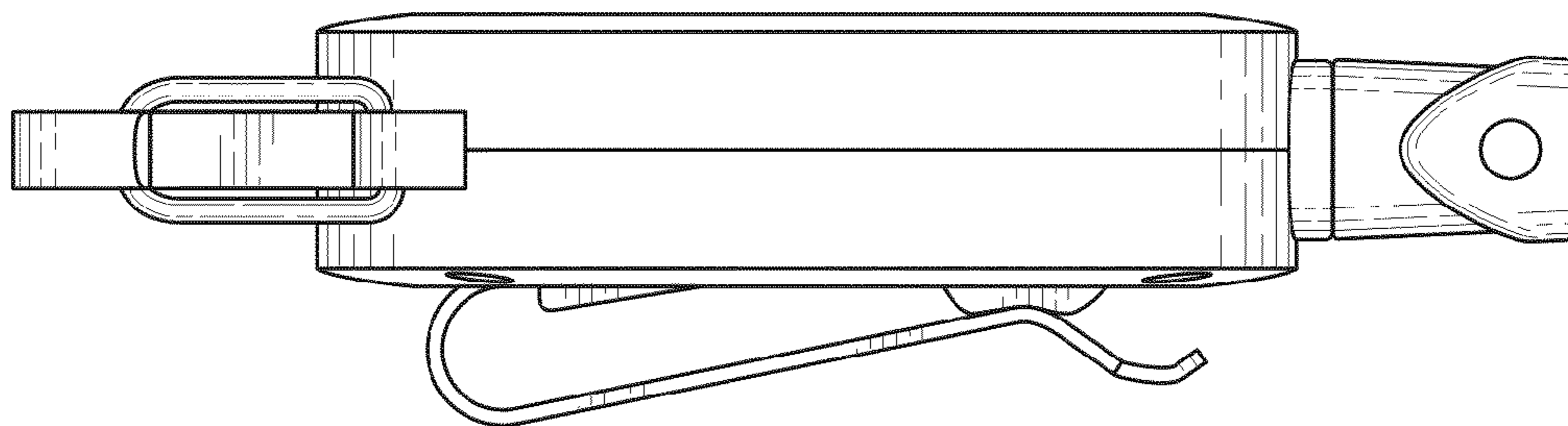


FIG. 5

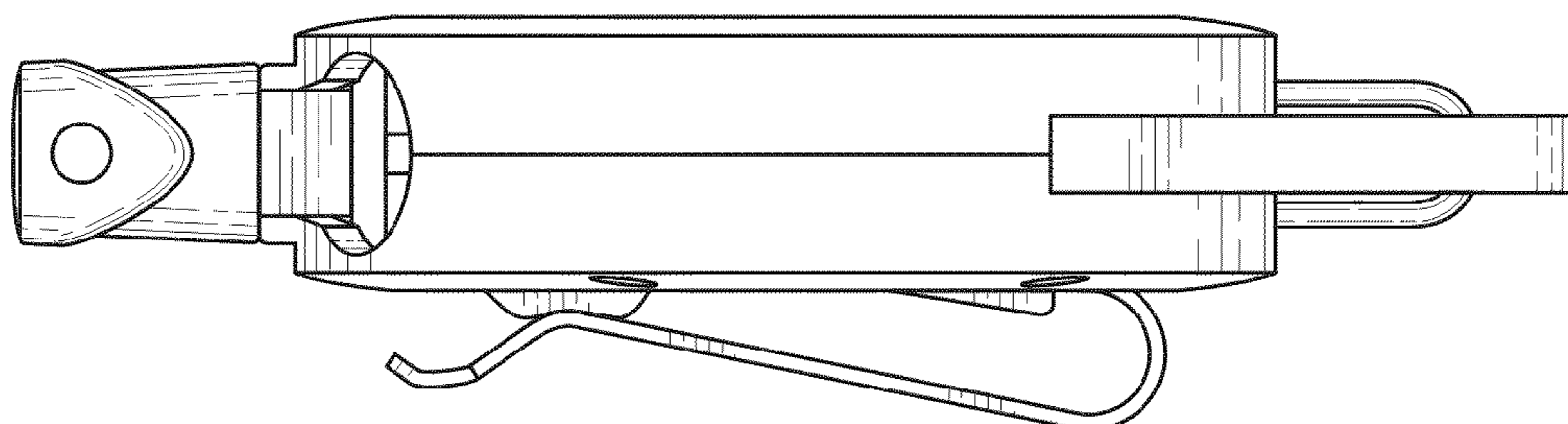


FIG. 6

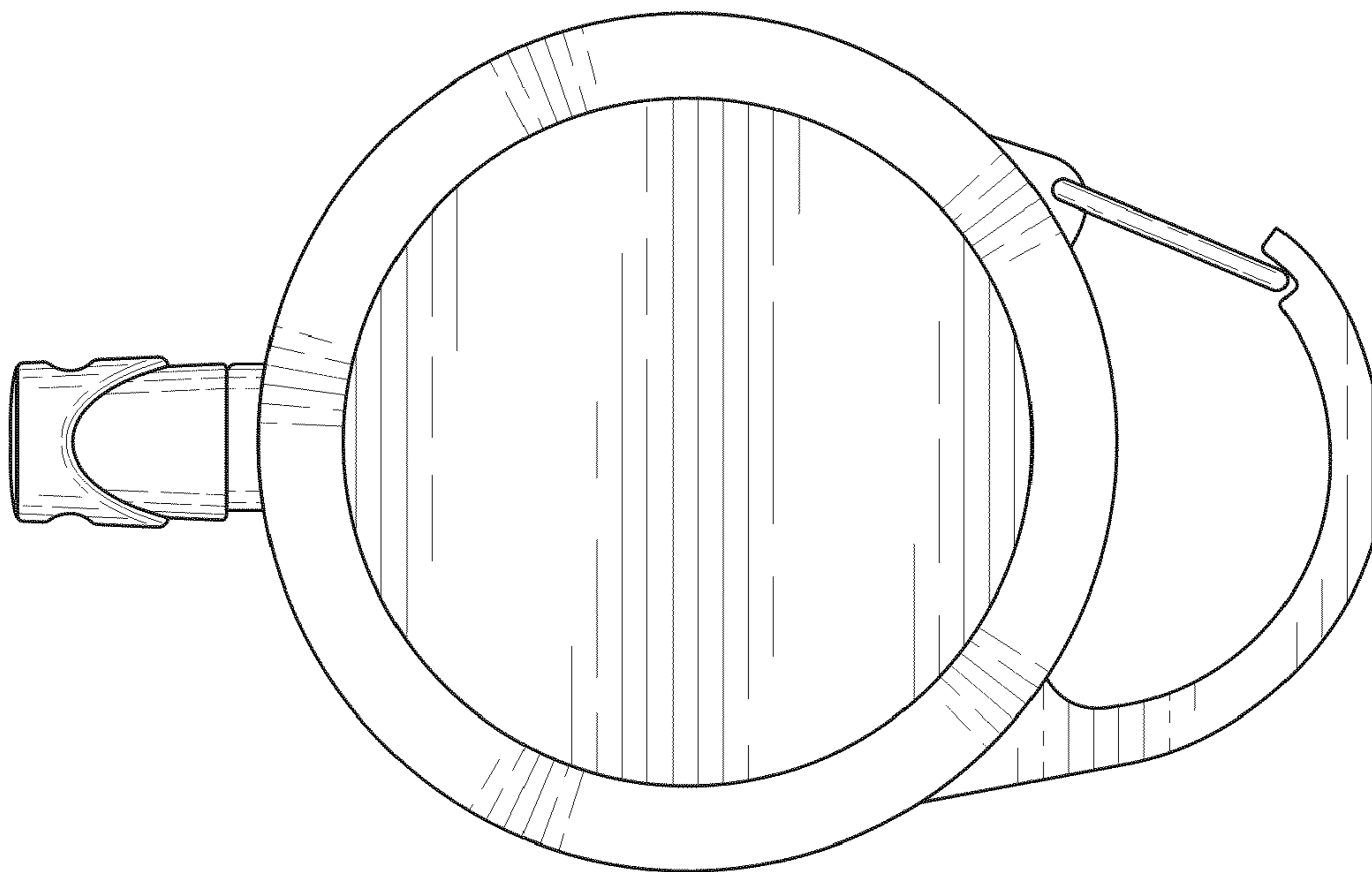


FIG. 7

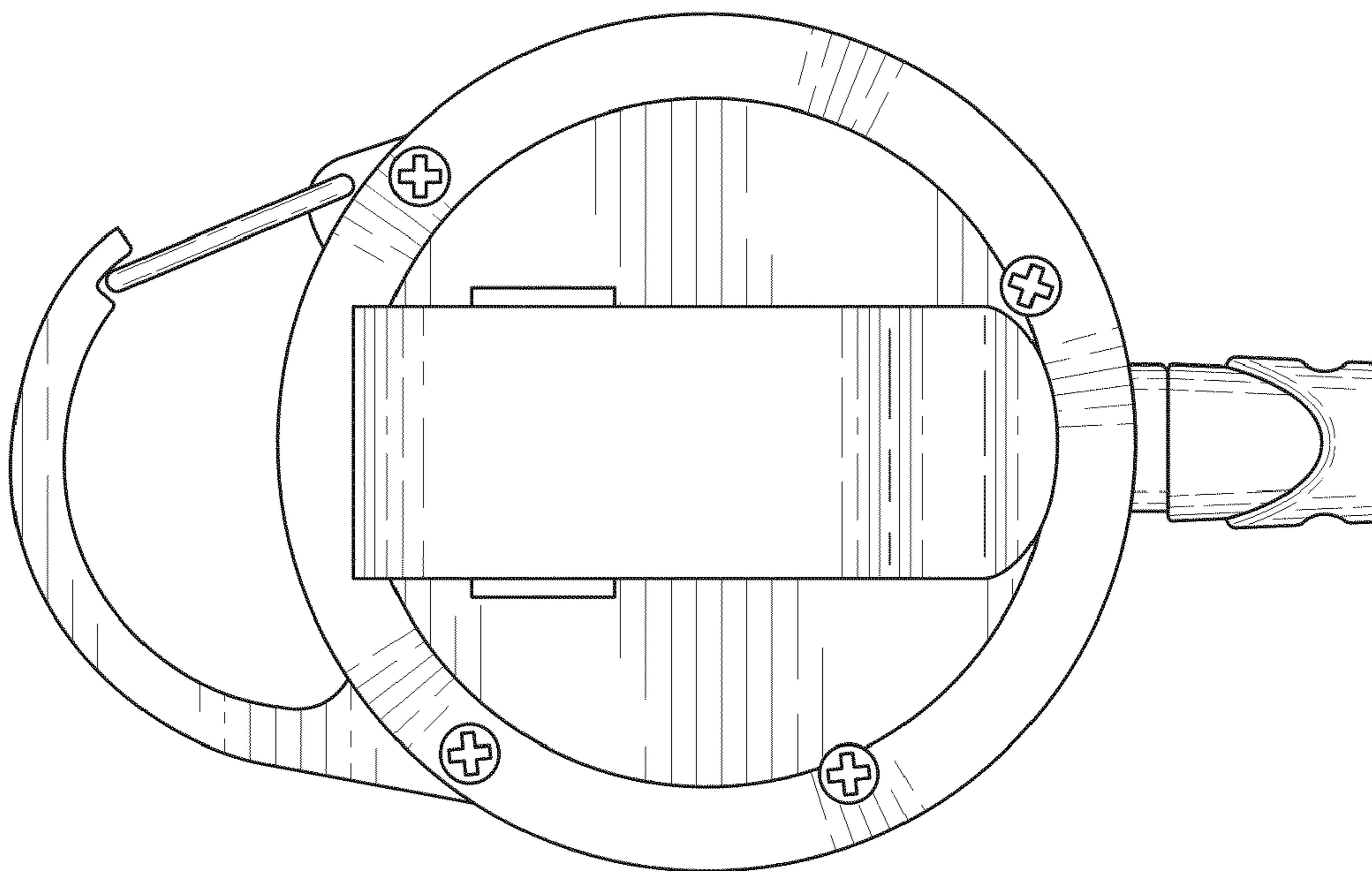


FIG. 8