



US00D654779S

(12) **United States Design Patent**
Matre

(10) **Patent No.:** **US D654,779 S**

(45) **Date of Patent:** **** Feb. 28, 2012**

(54) **PADDLE LATCH**

(75) Inventor: **Daniel A. Matre**, Brookfield, WI (US)

(73) Assignee: **Daniel A. Matre**, Brookfield, WI (US)

(**) Term: **14 Years**

(21) Appl. No.: **29/396,283**

(22) Filed: **Jun. 28, 2011**

(51) **LOC (9) Cl.** **08-05**

(52) **U.S. Cl.** **D8/356**; D8/302; D8/331

(58) **Field of Classification Search** D8/356,
D8/354, 349, 330, 331, 383, 302; 439/501;
70/421, 371, 369, 208; D22/108; D11/216

See application file for complete search history.

(56) **References Cited**

U.S. PATENT DOCUMENTS

4,082,353	A	4/1978	Hollowell	
4,703,961	A	11/1987	Weinerman et al.	
5,299,844	A	4/1994	Gleason	
5,564,295	A	10/1996	Weinerman et al.	
5,586,458	A	12/1996	Weinerman et al.	
D383,664	S *	9/1997	Bennett	D8/331
D394,373	S *	5/1998	Weinerman et al.	D8/306
5,884,948	A	3/1999	Weinerman et al.	
5,983,682	A *	11/1999	Parikh	70/208
D437,772	S *	2/2001	Erwin	D8/354
6,419,286	B1	7/2002	Szablewski	
D464,863	S *	10/2002	Teskey	D8/306
6,471,260	B1	10/2002	Weinerman et al.	
6,513,353	B1	2/2003	Weinerman et al.	
6,651,467	B1	11/2003	Weinerman et al.	
D485,155	S *	1/2004	Bacon	D8/338
6,695,362	B2	2/2004	Kluting et al.	
D536,235	S *	2/2007	Vickers et al.	D8/331

D542,624	S *	5/2007	Vickers et al.	D8/331
7,267,380	B2	9/2007	Bullock et al.	
D561,561	S *	2/2008	Wohlford et al.	D8/354
D570,192	S *	6/2008	Beckner	D8/331
7,513,541	B1	4/2009	Gregory	
7,726,707	B2	6/2010	Simchayoff et al.	
D628,041	S *	11/2010	Tieu et al.	D8/302
D630,488	S *	1/2011	Tieu et al.	D8/302
D638,276	S *	5/2011	Tonizzo et al.	D8/331
D642,043	S *	7/2011	Le	D8/331
7,975,976	B2 *	7/2011	Wohlford	248/282.1
2004/0140678	A1	7/2004	Linares	

OTHER PUBLICATIONS

<http://www.kaffenbarger.com/index.php?productID=233>.*
<http://www.grainger.com/Grainger/BATTALION-Paddle-Latch-1XPC4?Pid=search>.*

* cited by examiner

Primary Examiner — Cynthia Underwood

(74) *Attorney, Agent, or Firm* — Boyle Fredrickson, S.C.

(57) **CLAIM**

The ornamental design for a paddle latch, as shown and described.

DESCRIPTION

FIG. 1 is an isometric view of a paddle latch incorporating my new design, wherein the portions in phantom form no part of the claimed design;

FIG. 2 is a front plan view thereof;

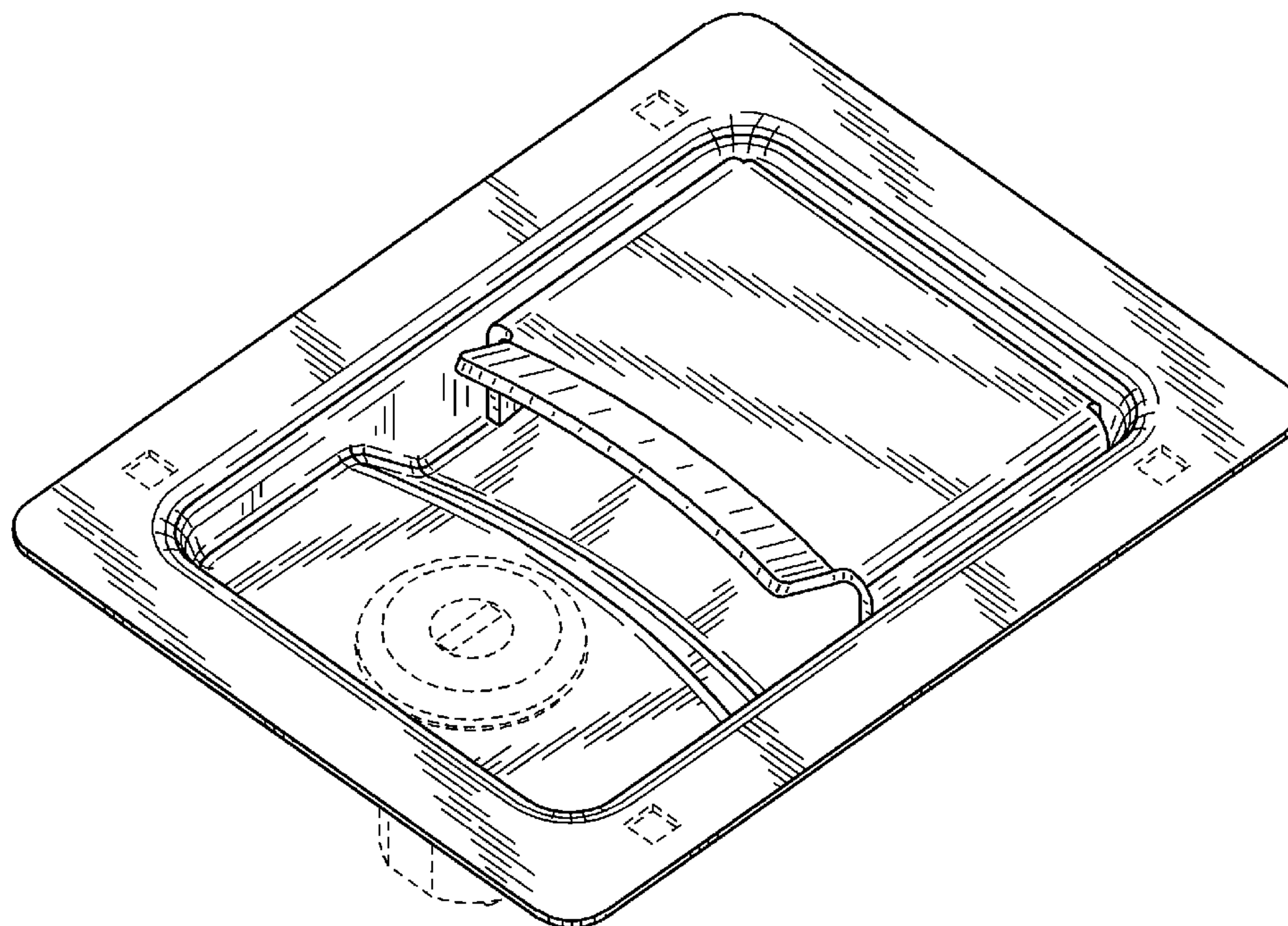
FIG. 3 is a left elevation view thereof;

FIG. 4 is a top elevation view thereof;

FIG. 5 is a bottom elevation view thereof; and,

FIG. 6 is a rear plan view thereof.

1 Claim, 4 Drawing Sheets



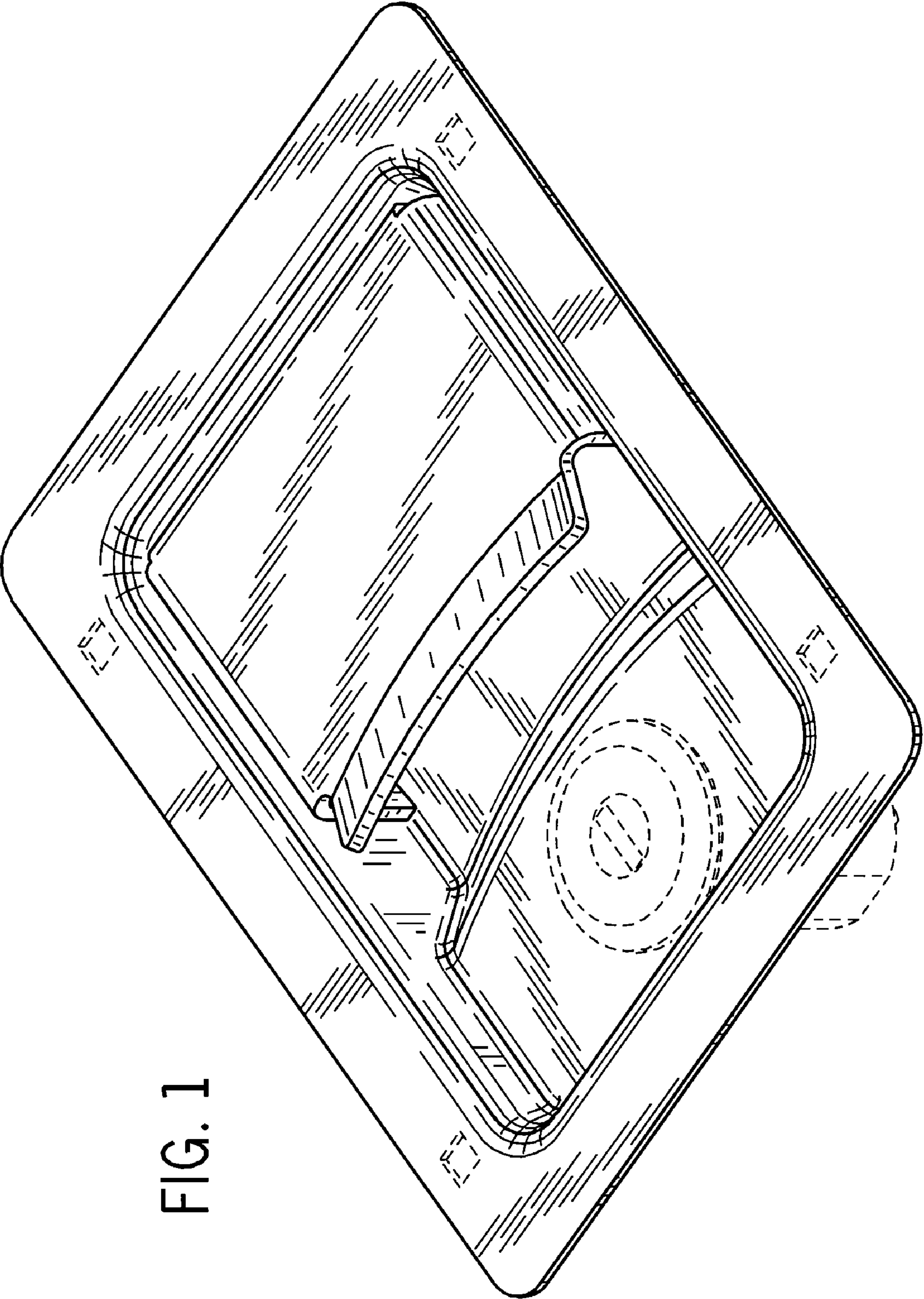


FIG. 1

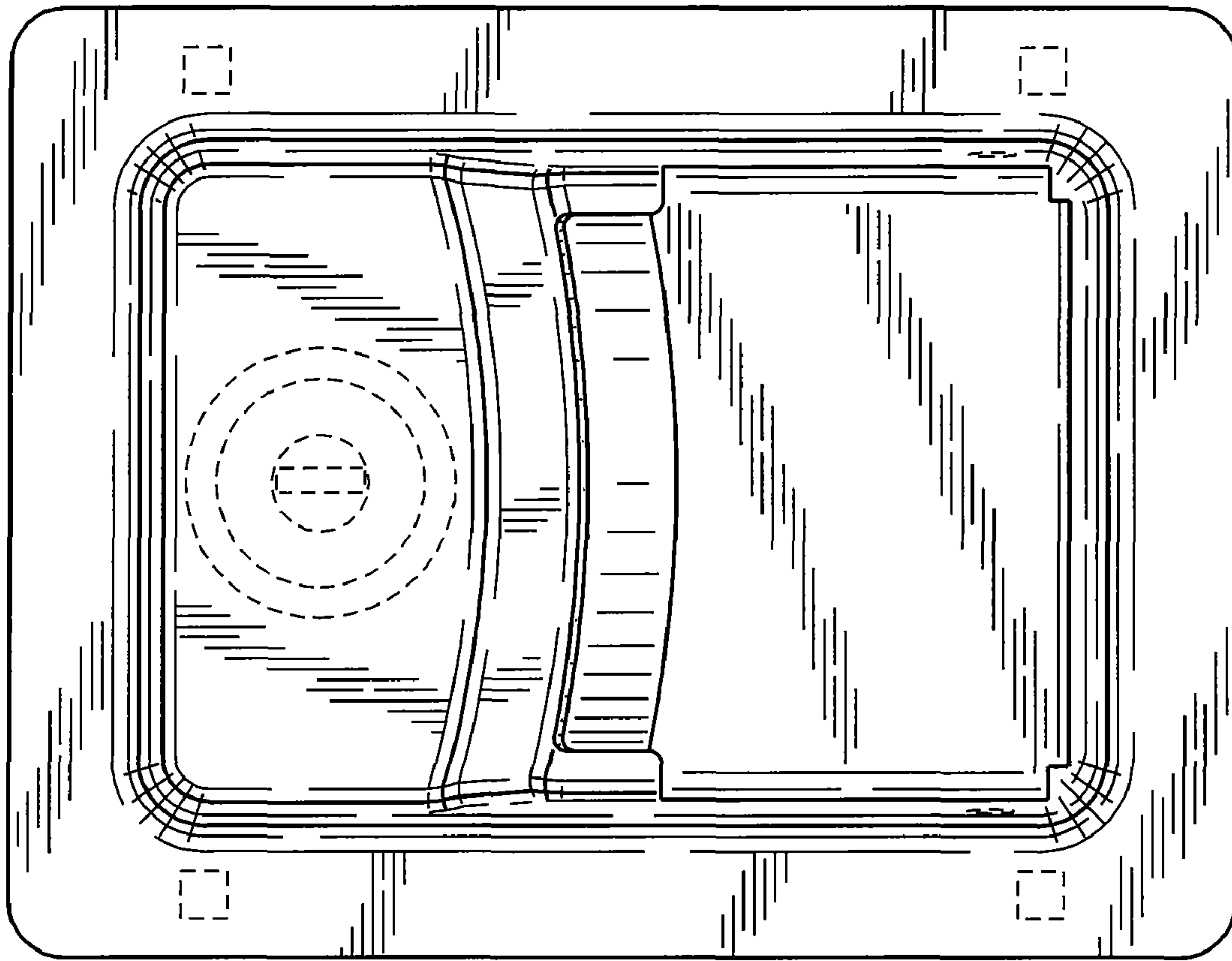


FIG. 2

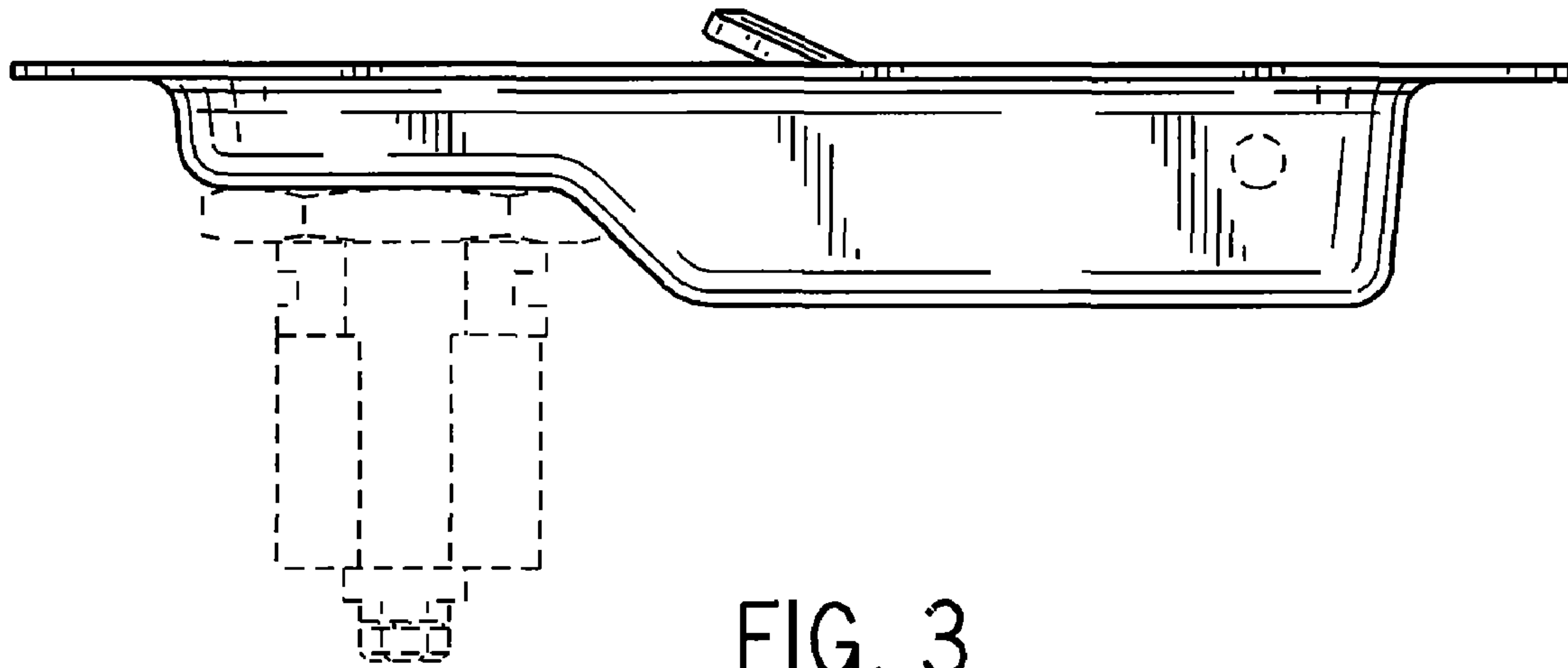


FIG. 3

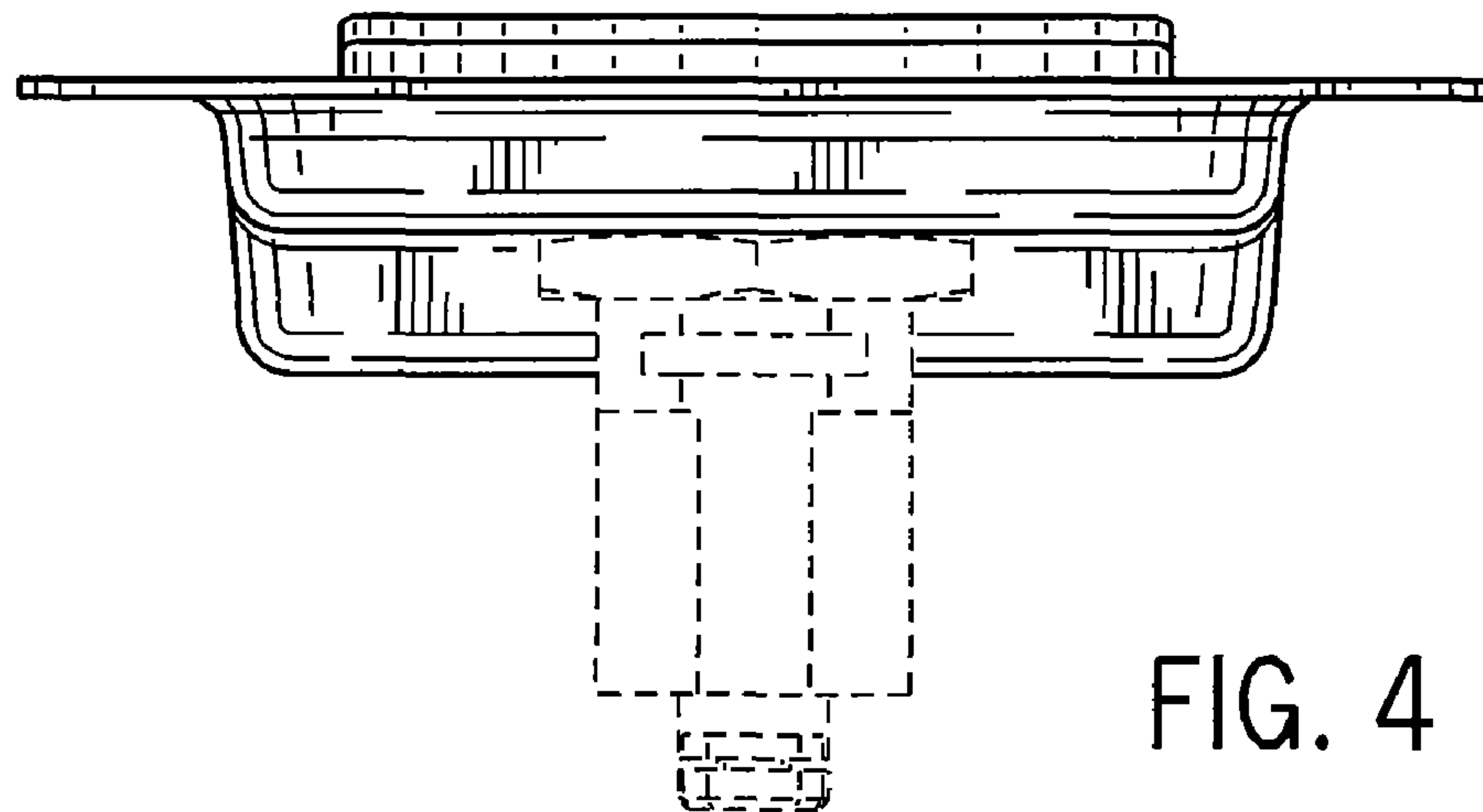


FIG. 4

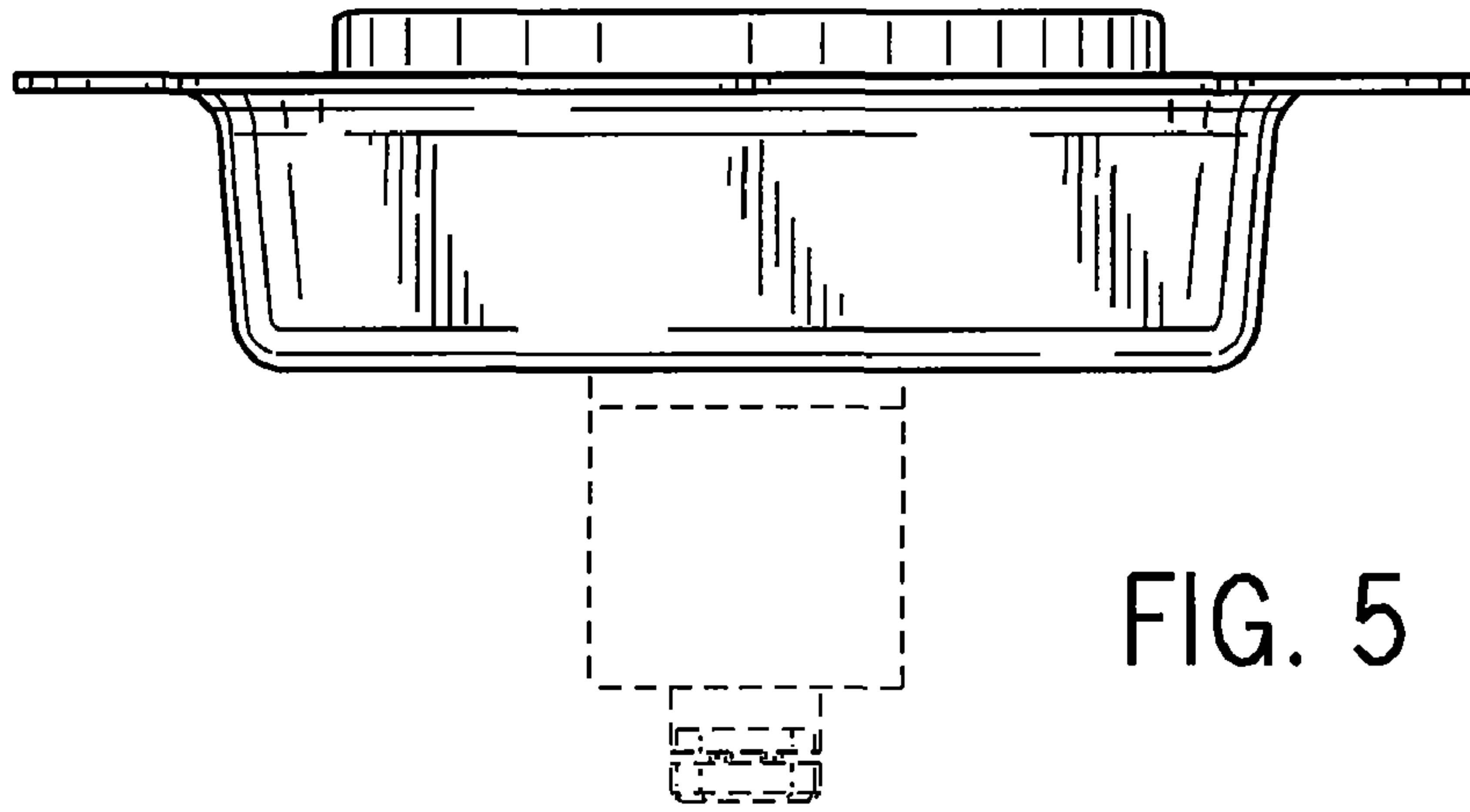


FIG. 5

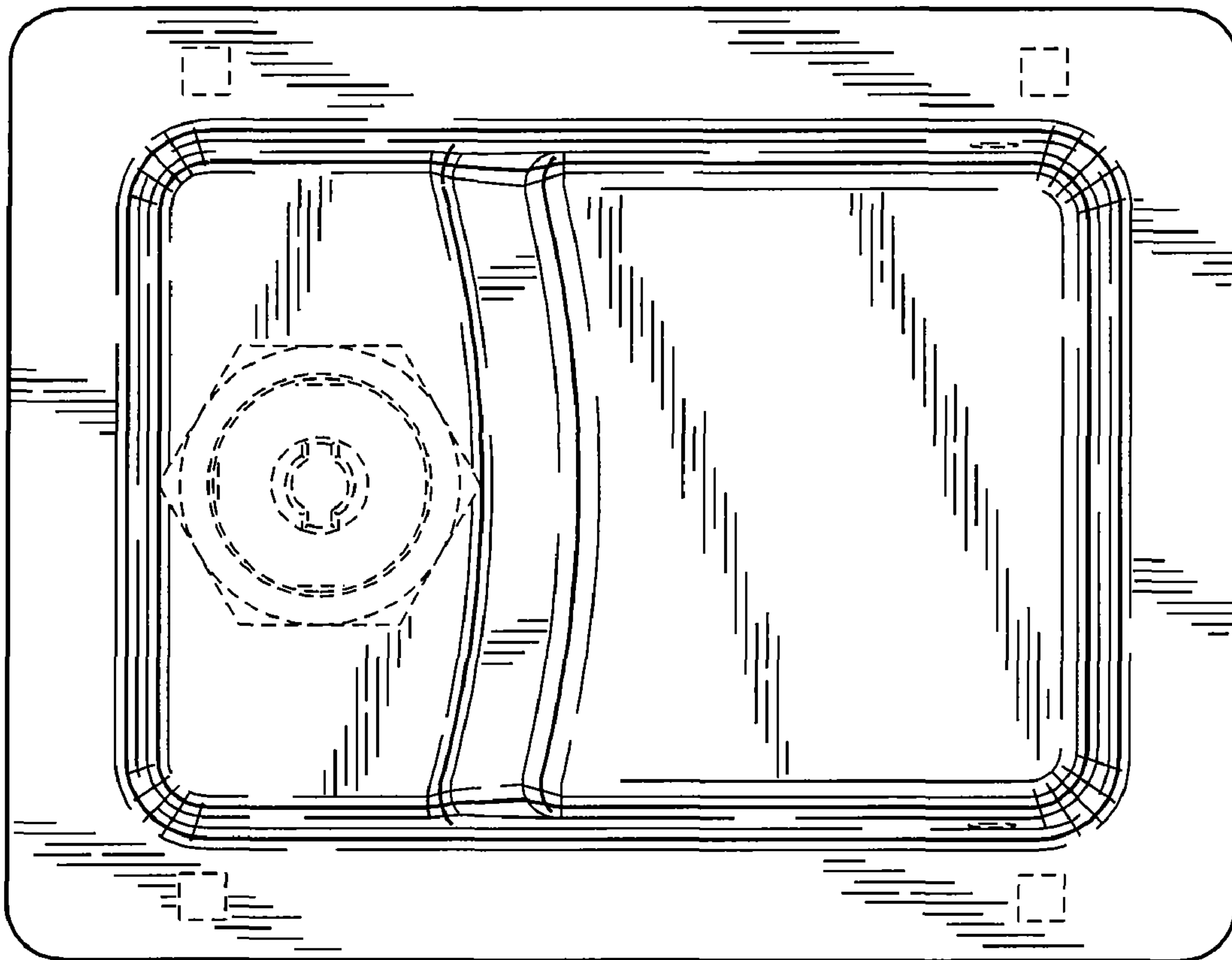


FIG. 6