



US00D654777S

(12) **United States Design Patent**  
**Beres et al.**

(10) **Patent No.:** **US D654,777 S**  
(45) **Date of Patent:** **\*\* Feb. 28, 2012**

(54) **LOCK**

(56)

**References Cited**

(76) Inventors: **Mark F Beres**, Oconomowoc, WI (US);  
**Brian Potempa**, Freeport, IL (US);  
**Michael Potempa**, Freeport, IL (US)

U.S. PATENT DOCUMENTS

3,046,776	A *	7/1962	Marotto et al.	70/97
3,591,219	A *	7/1971	Graziosi	292/207
3,955,842	A *	5/1976	Edwards	292/307 R
5,150,591	A *	9/1992	Norden, Jr.	70/129
D371,503	S *	7/1996	Nakano	D8/331
D452,810	S *	1/2002	Anderson	D8/339
D461,112	S *	8/2002	Henley	D8/341
D495,235	S *	8/2004	Burrows	D8/341
D601,403	S *	10/2009	Cosby et al.	D8/331
D637,887	S *	5/2011	Beres et al.	D8/331

(\*\*) Term: **14 Years**

(21) Appl. No.: **29/388,943**

(22) Filed: **Apr. 4, 2011**

\* cited by examiner

**Related U.S. Application Data**

(62) Division of application No. 29/357,227, filed on Mar. 9, 2010, now Pat. No. Des. 637,887.

*Primary Examiner* — Prabhakar Deshmukh

- (51) **LOC (9) Cl.** ..... **08-06**
- (52) **U.S. Cl.** ..... **D8/339**
- (58) **Field of Classification Search** ..... D8/330,  
D8/331, 343, 339, 349, 341; 70/107-111,  
70/114, 118, 141, 488, 162; 292/2, 32, 63,  
292/137, 174

(57)

**CLAIM**

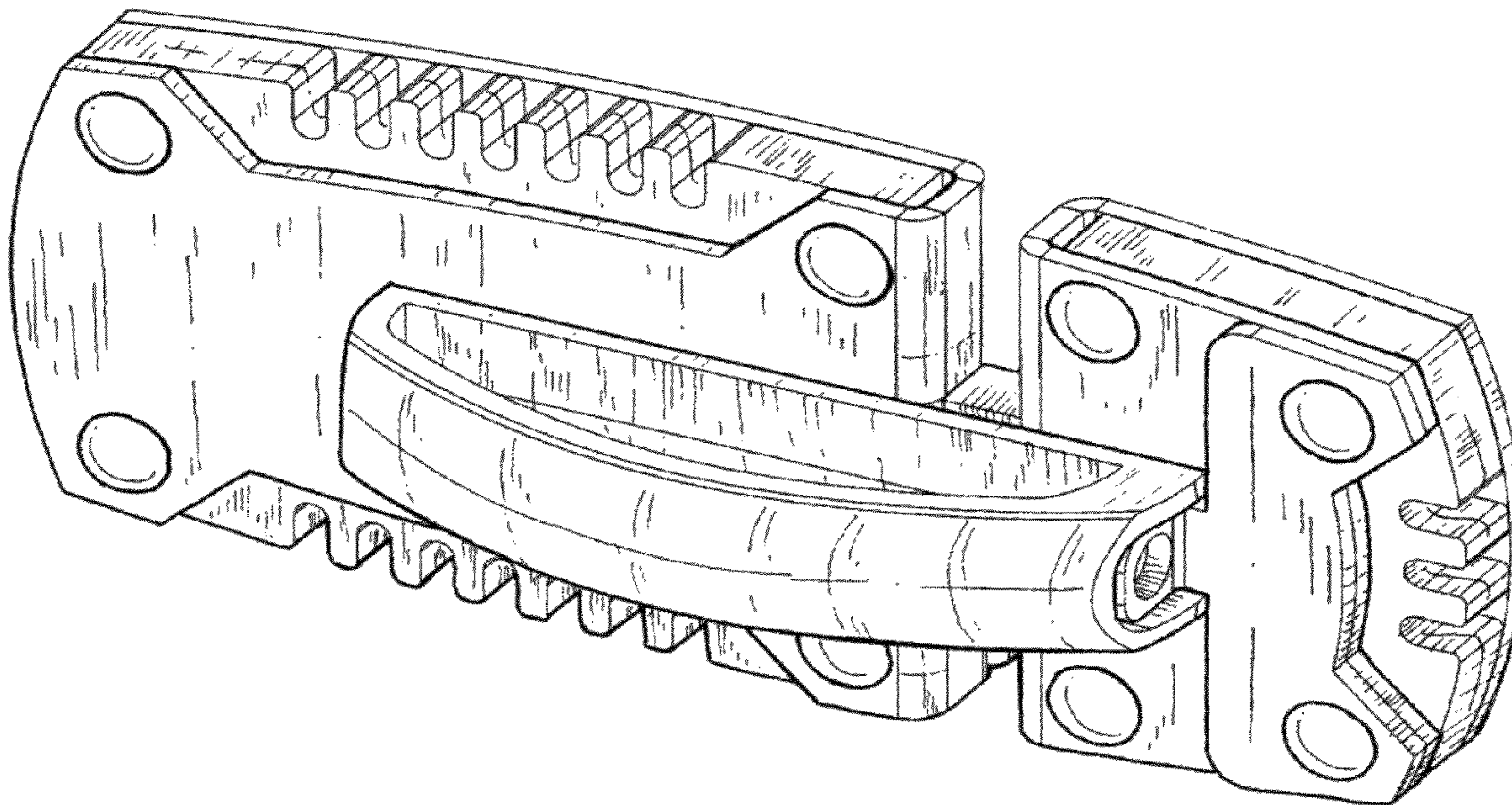
The ornamental design for a lock, as shown and described.

**DESCRIPTION**

FIG. 1 is a perspective view of the lock embodying the new design;  
FIG. 2 is a front view of the embodiment in FIG. 1;  
FIG. 3 is a top view of the embodiment in FIG. 1;  
FIG. 4 is a bottom view of the embodiment in FIG. 1;  
FIG. 5 is a left side view of the embodiment in FIG. 1; and,  
FIG. 6 is a right side view of the embodiment in FIG. 1.

See application file for complete search history.

**1 Claim, 2 Drawing Sheets**



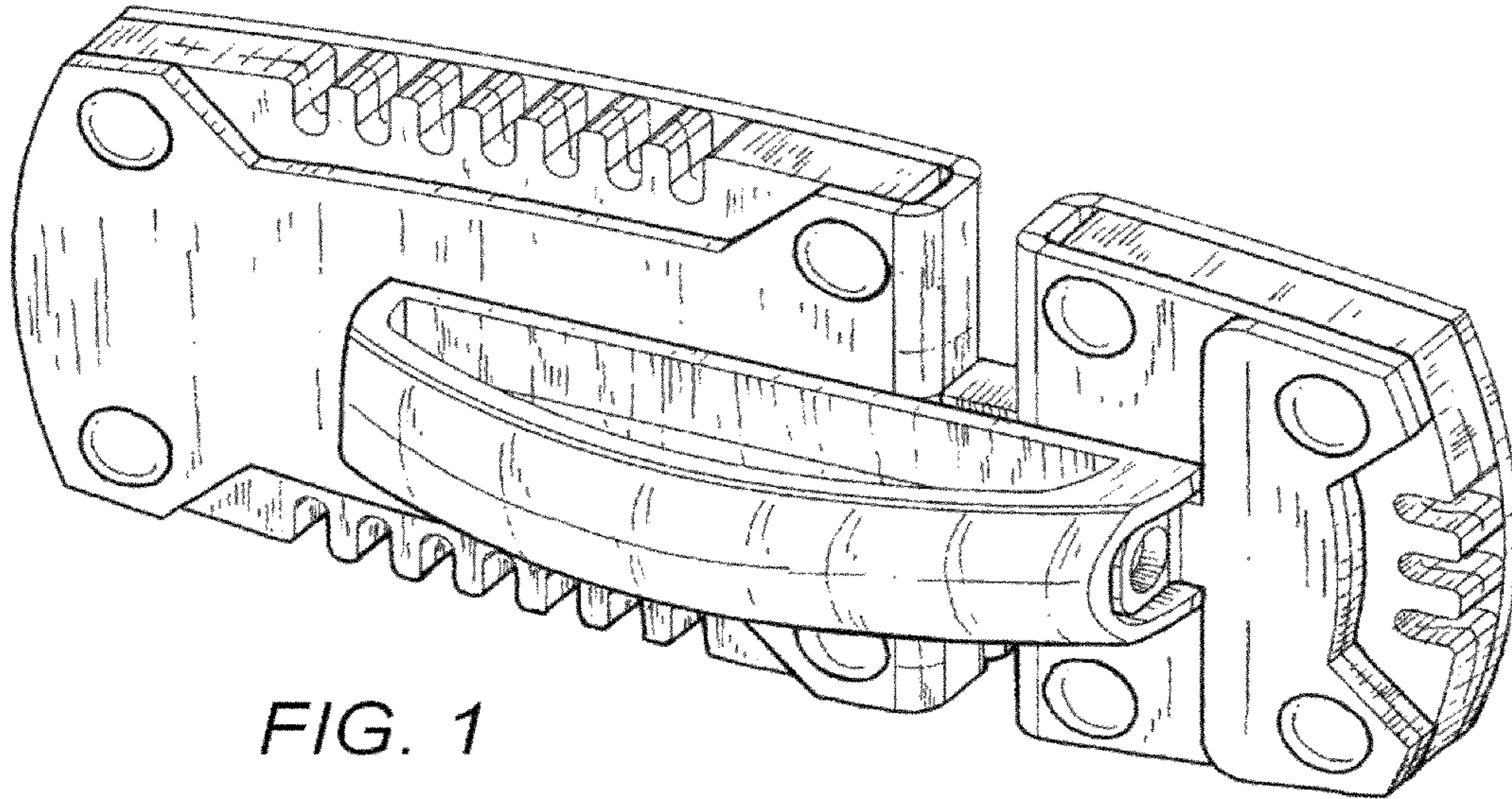


FIG. 1

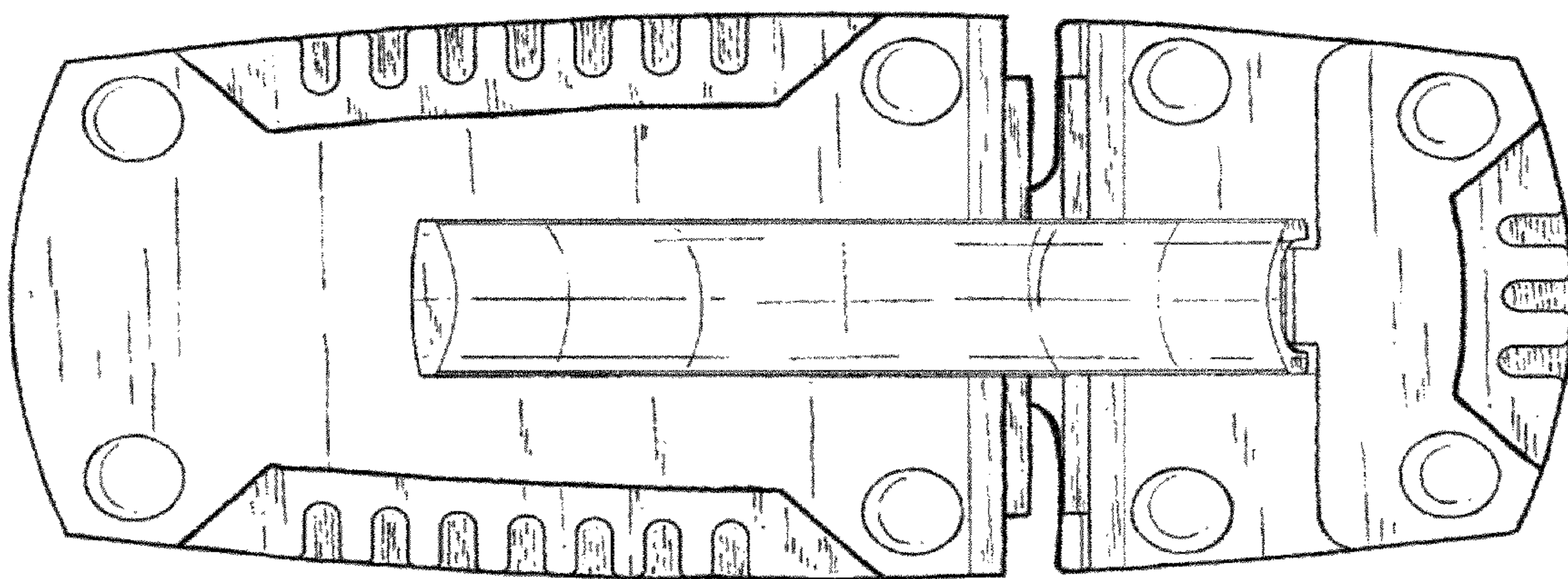


FIG. 2

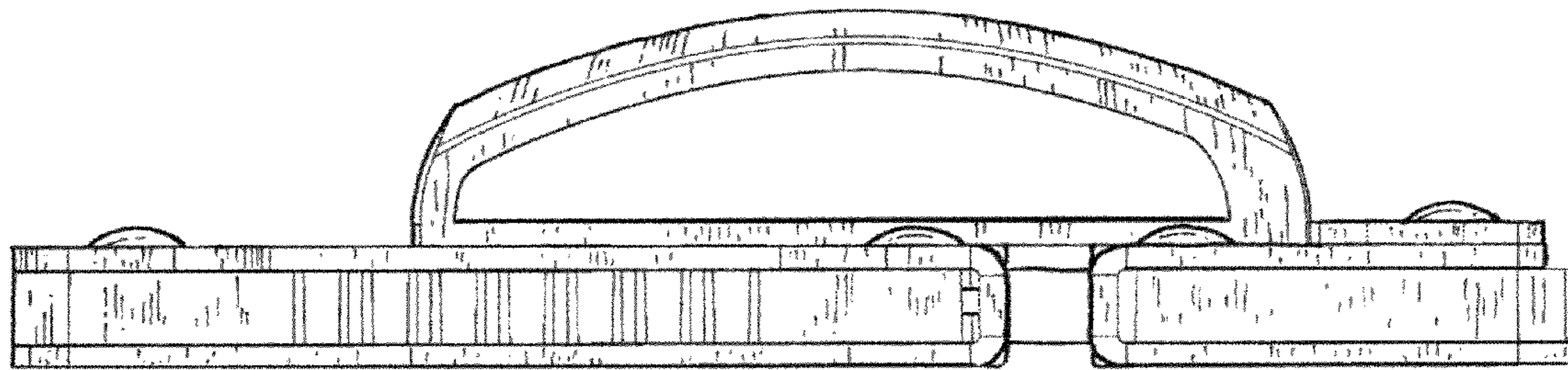


FIG. 3

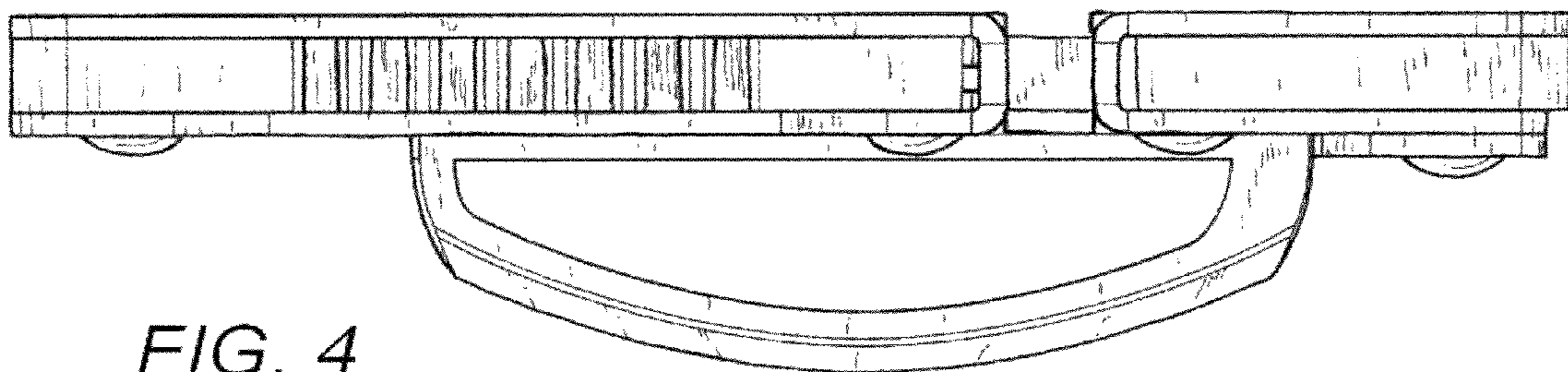


FIG. 4

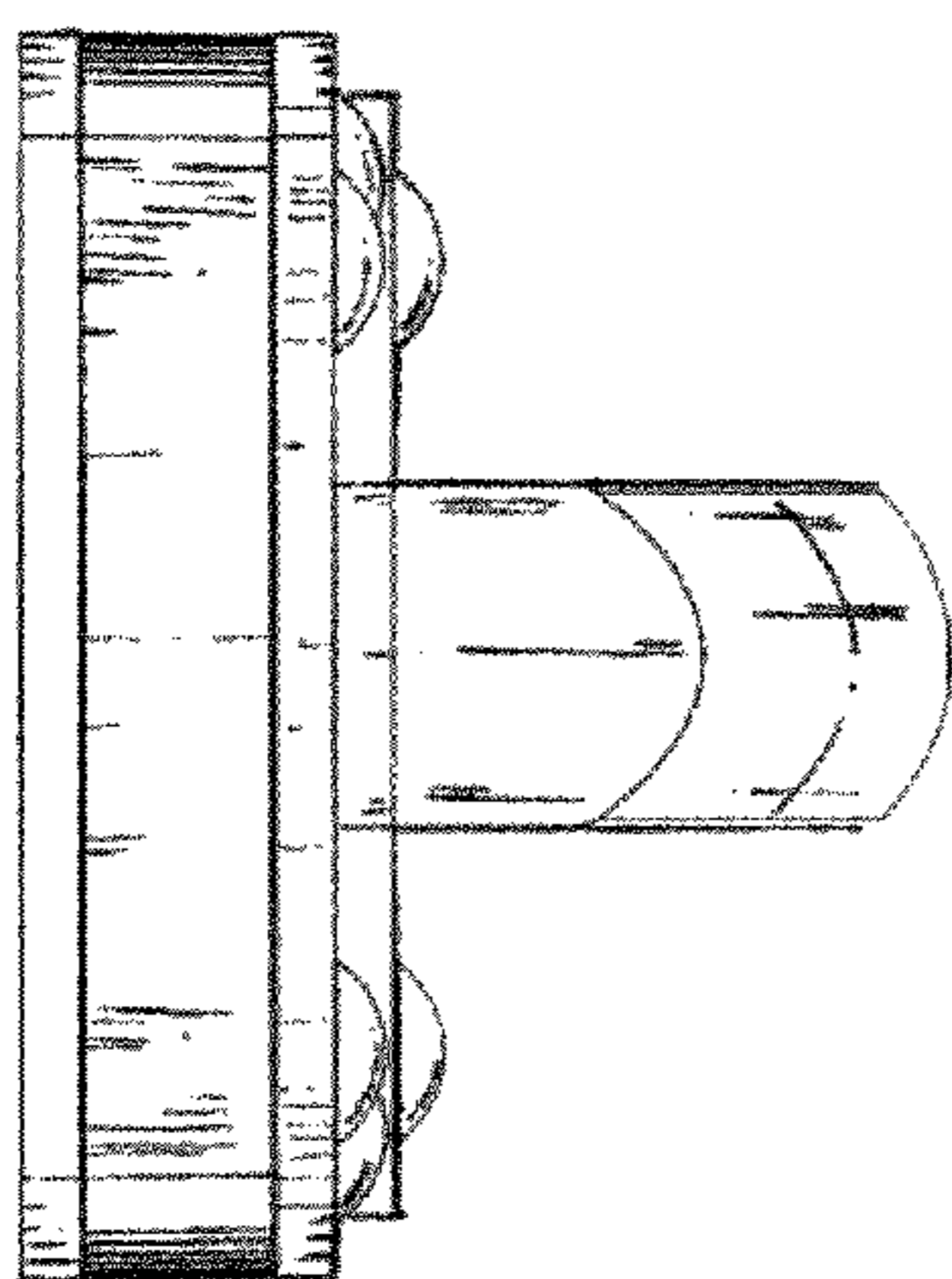


FIG. 5

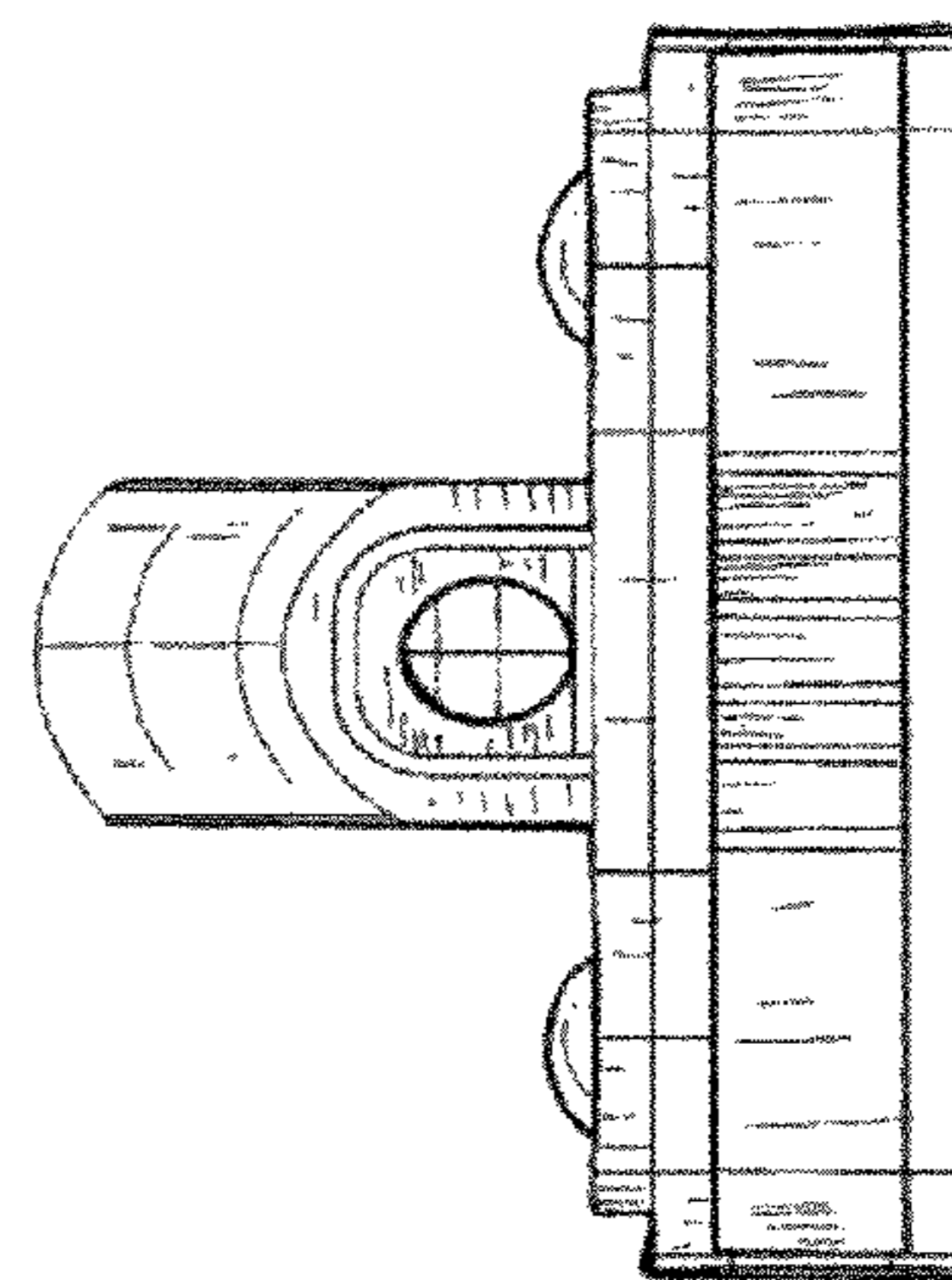


FIG. 6