



US00D654773S

(12) **United States Design Patent**
Moore

(10) **Patent No.:** **US D654,773 S**

(45) **Date of Patent:** **** Feb. 28, 2012**

(54) **GUTTER CUTTING DEVICE**

(76) Inventor: **Michael A. Moore**, North Vernon, IN
(US)

(**) Term: **14 Years**

(21) Appl. No.: **29/382,573**

(22) Filed: **Jan. 5, 2011**

(51) **LOC (9) Cl.** **08-03**

(52) **U.S. Cl.** **D8/98**

(58) **Field of Classification Search** D8/98,
D8/1, 7, 14; 30/301, 316; 72/325, 327
See application file for complete search history.

6,125,593	A	10/2000	Randolph et al.	
6,289,709	B1 *	9/2001	Geurts	72/327
6,578,272	B2	6/2003	Arbanas	
6,752,219	B1 *	6/2004	Fridd	172/22
D495,048	S *	8/2004	Snyder	D23/393
D503,791	S *	4/2005	Snyder	D23/393
D503,793	S *	4/2005	Snyder	D23/393
6,969,799	B2 *	11/2005	Snyder	174/483
D513,465	S *	1/2006	Carey	D8/14
D541,606	S *	5/2007	Griffin et al.	D8/1
D564,851	S	3/2008	Fraga	
D566,512	S *	4/2008	Chie	D8/98
D577,554	S *	9/2008	Geisler	D8/14
D588,424	S *	3/2009	Baker	D8/7
D589,766	S *	4/2009	Tate	D8/7
D609,991	S	2/2010	Moore	
2003/0188617	A1 *	10/2003	Willert	83/687
2006/0117577	A1 *	6/2006	King	30/368
2011/0138630	A1 *	6/2011	Tweg	30/113.1

(56) **References Cited**

U.S. PATENT DOCUMENTS

106,437	A	8/1870	White	
254,286	A	2/1882	Dellenbaugh	
473,316	A	4/1892	Hunter	
580,662	A	4/1897	Dornas	
606,511	A	6/1898	Buckles	
944,700	A	12/1909	Spence	
2,618,500	A *	11/1952	Peach	111/101
2,723,835	A *	11/1955	Reese et al.	175/18
2,990,615	A	7/1961	Ohler	
3,062,299	A	11/1962	Koepfinger	
3,064,353	A	11/1962	Montgomery	
3,111,995	A	11/1963	Dahl	
3,589,159	A *	6/1971	Warstler	72/131
3,821,890	A *	7/1974	Dewey	72/325
3,910,093	A *	10/1975	Maloney et al.	72/325
3,933,315	A *	1/1976	Popeil	241/166
3,967,452	A *	7/1976	Maloney et al.	405/120
3,994,055	A *	11/1976	Maloney et al.	29/890.14
4,711,012	A *	12/1987	Wolters	29/243.518
D297,498	S	9/1988	Prince	
D306,247	S	2/1990	Shields	
D319,953	S	9/1991	Machak	
D342,651	S	12/1993	Manos	
5,398,624	A *	3/1995	Caron	111/106
5,791,222	A *	8/1998	Micouleau	83/375
D423,889	S	5/2000	Heffner	

OTHER PUBLICATIONS

Malco GOP Gutter Punch & Die: Downloaded at <http://www.birdladder.com/products.php?id=740&path=638> on Dec. 2, 2011.*

* cited by examiner

Primary Examiner — Philip S Hyder

Assistant Examiner — Roselynn Cody

(57) **CLAIM**

The ornamental design for a gutter cutting device, as shown and described.

DESCRIPTION

FIG. 1 is a perspective view of a gutter cutting device showing my new design;

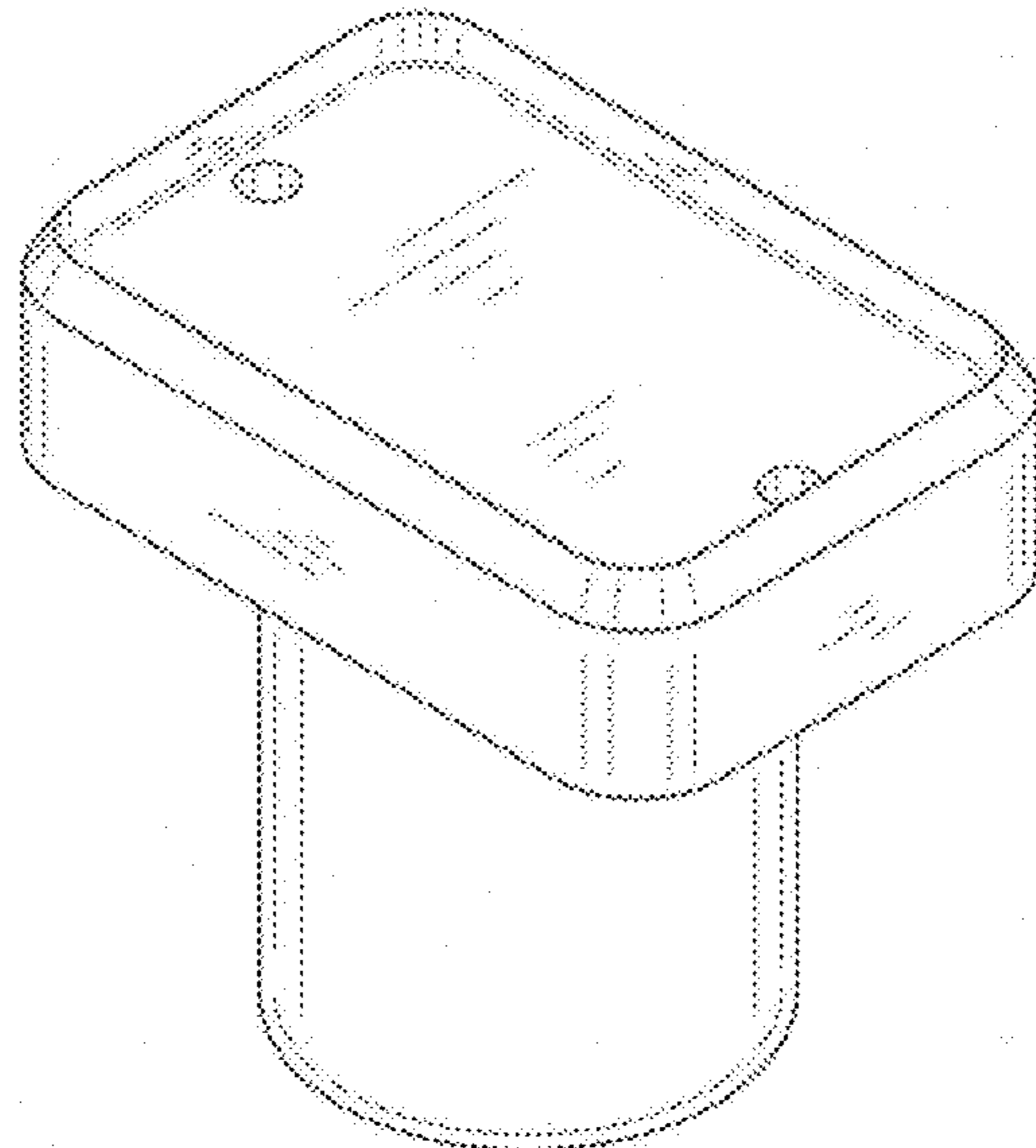
FIG. 2 is a front view thereof, the back view being a mirror image;

FIG. 3 is a side view thereof, the opposite side being a mirror image;

FIG. 4 is a top view thereof; and,

FIG. 5 is a bottom view thereof.

1 Claim, 3 Drawing Sheets



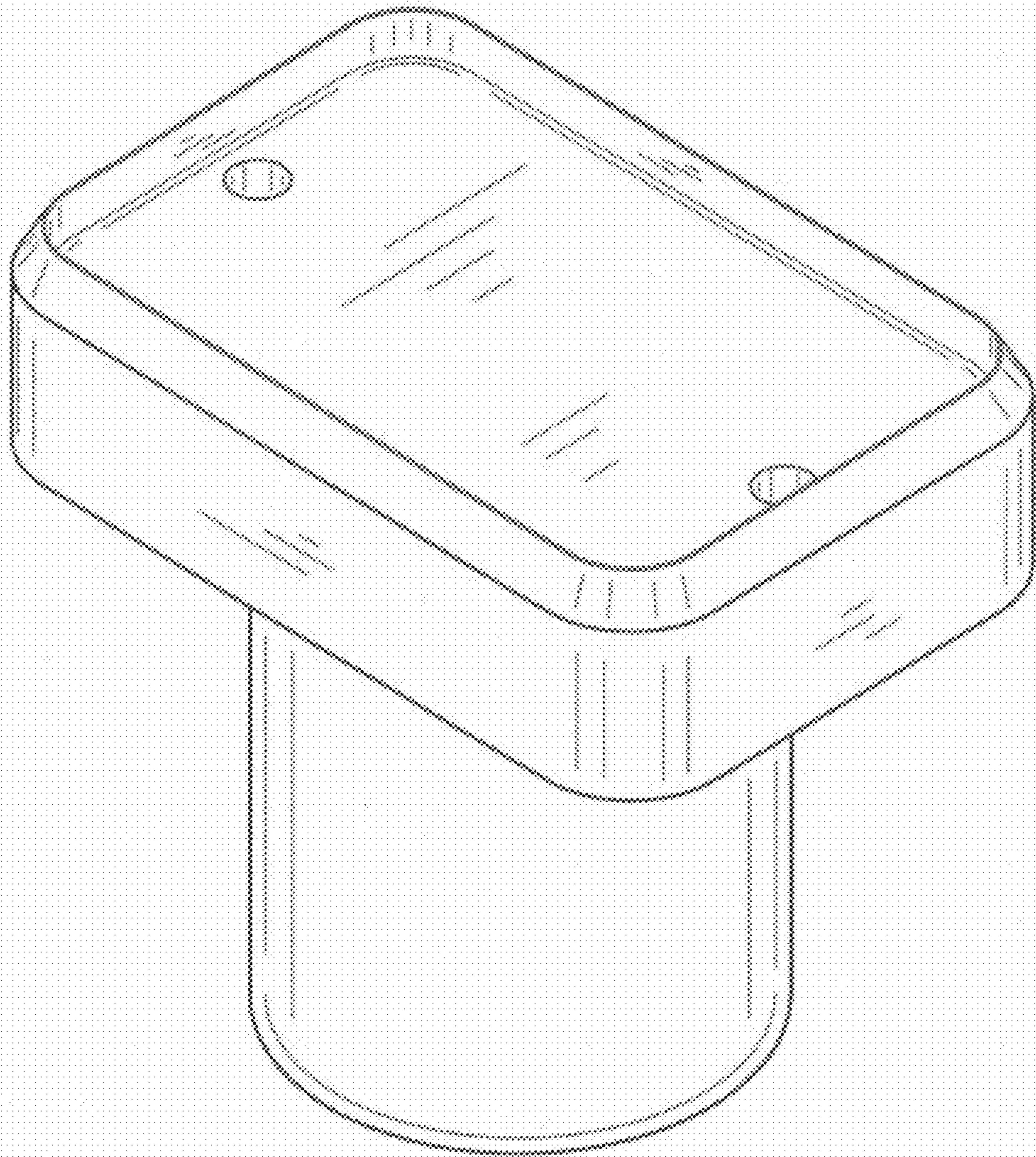


FIG. 1

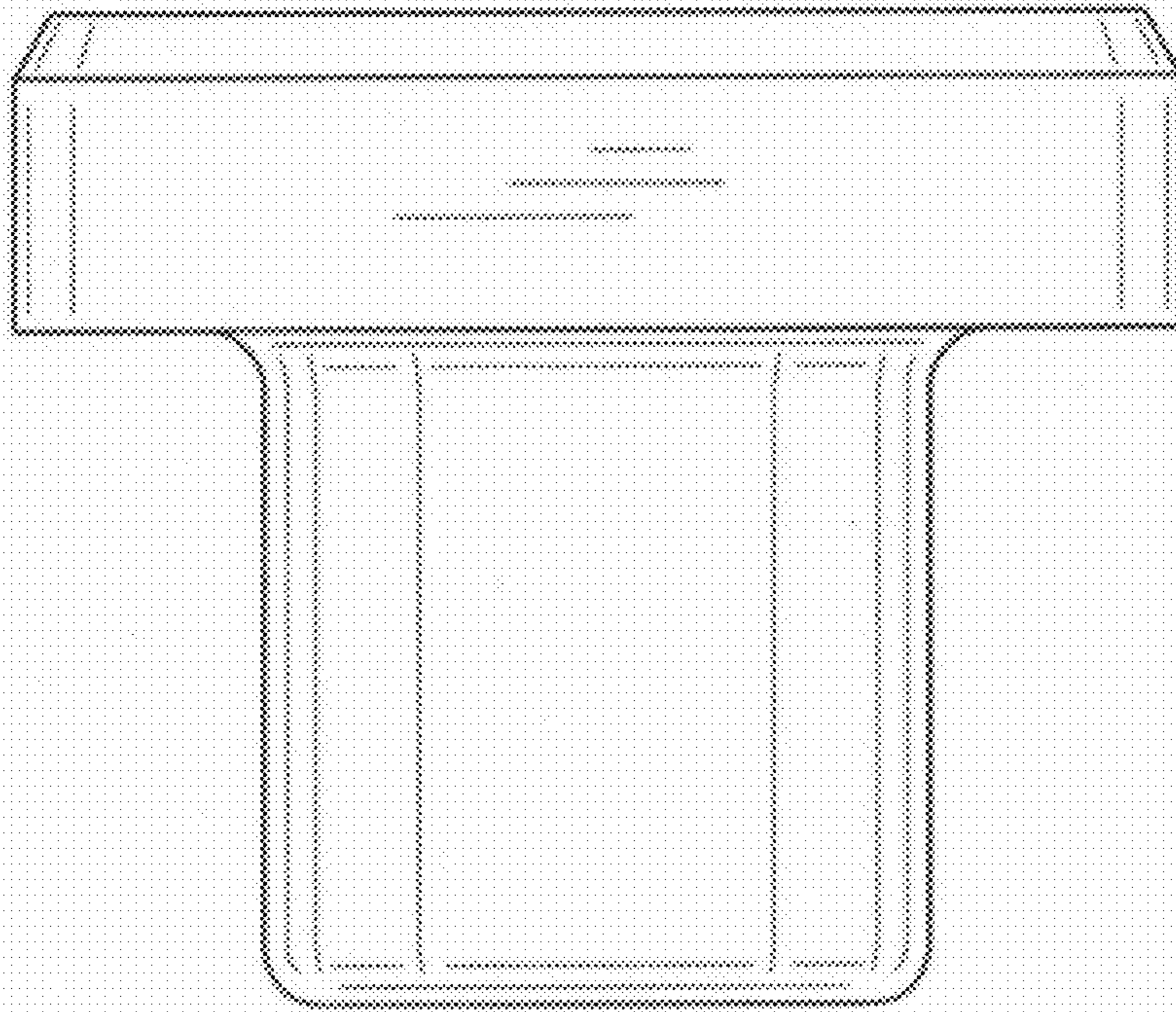


FIG. 2

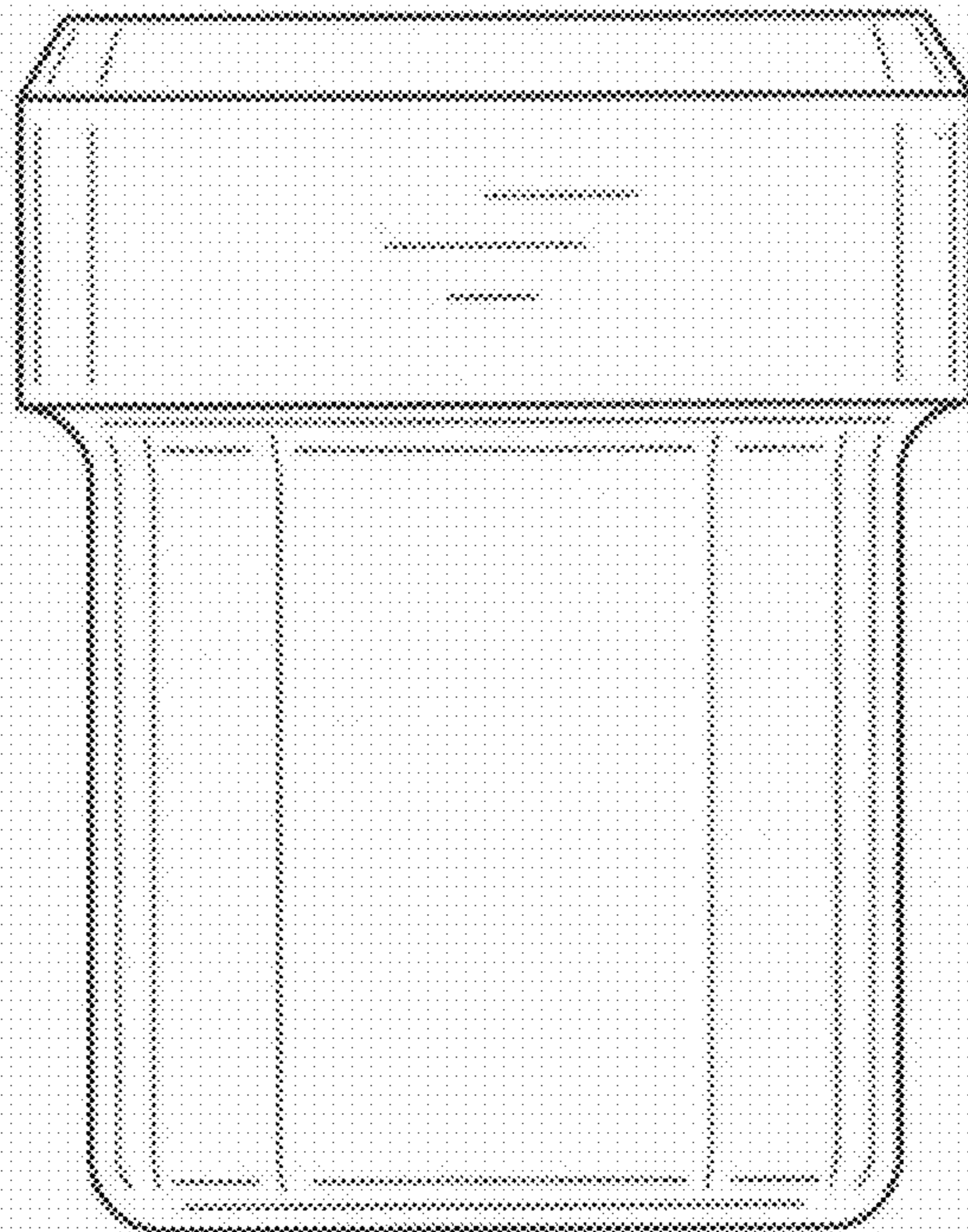


FIG. 3

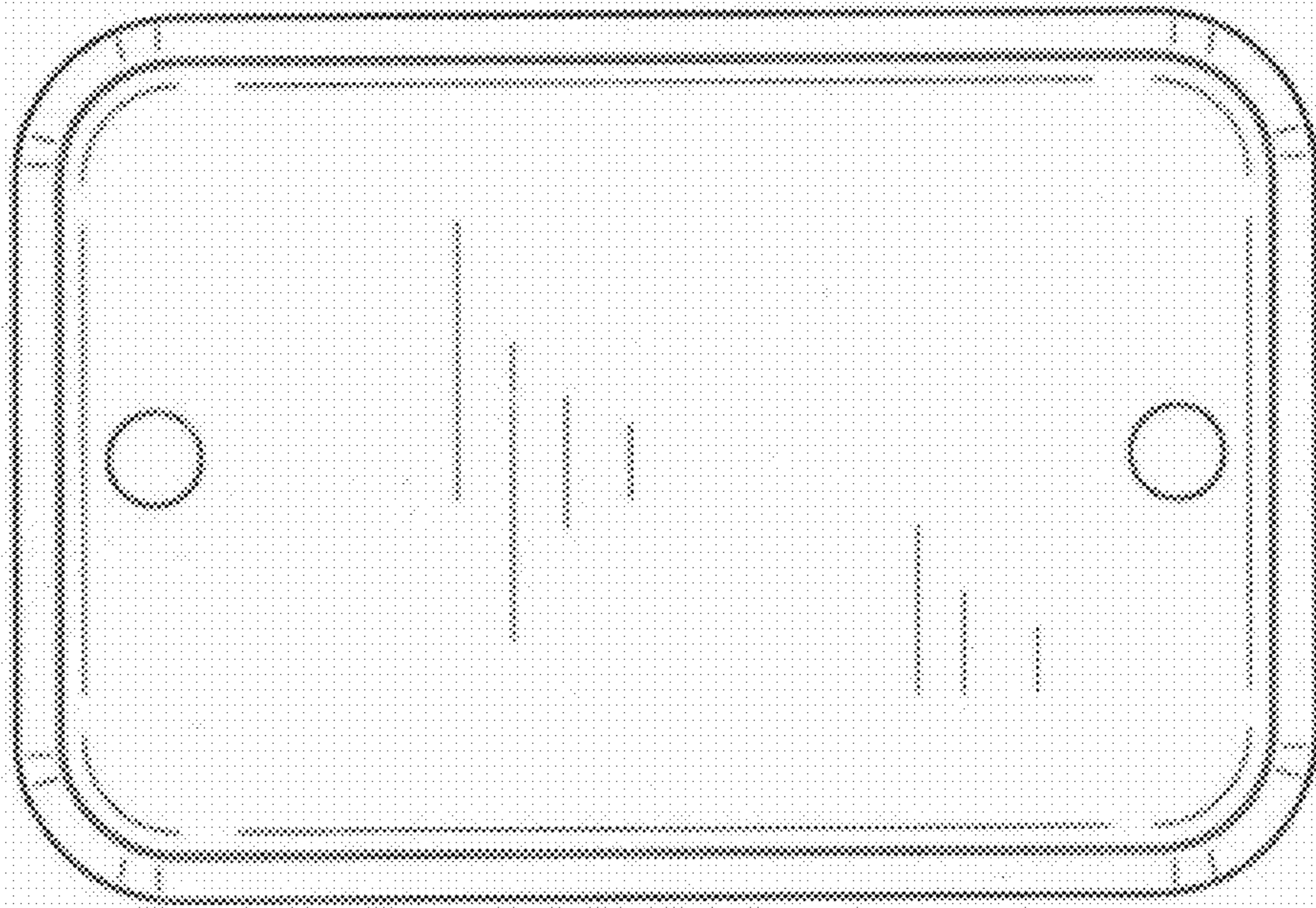


FIG. 4

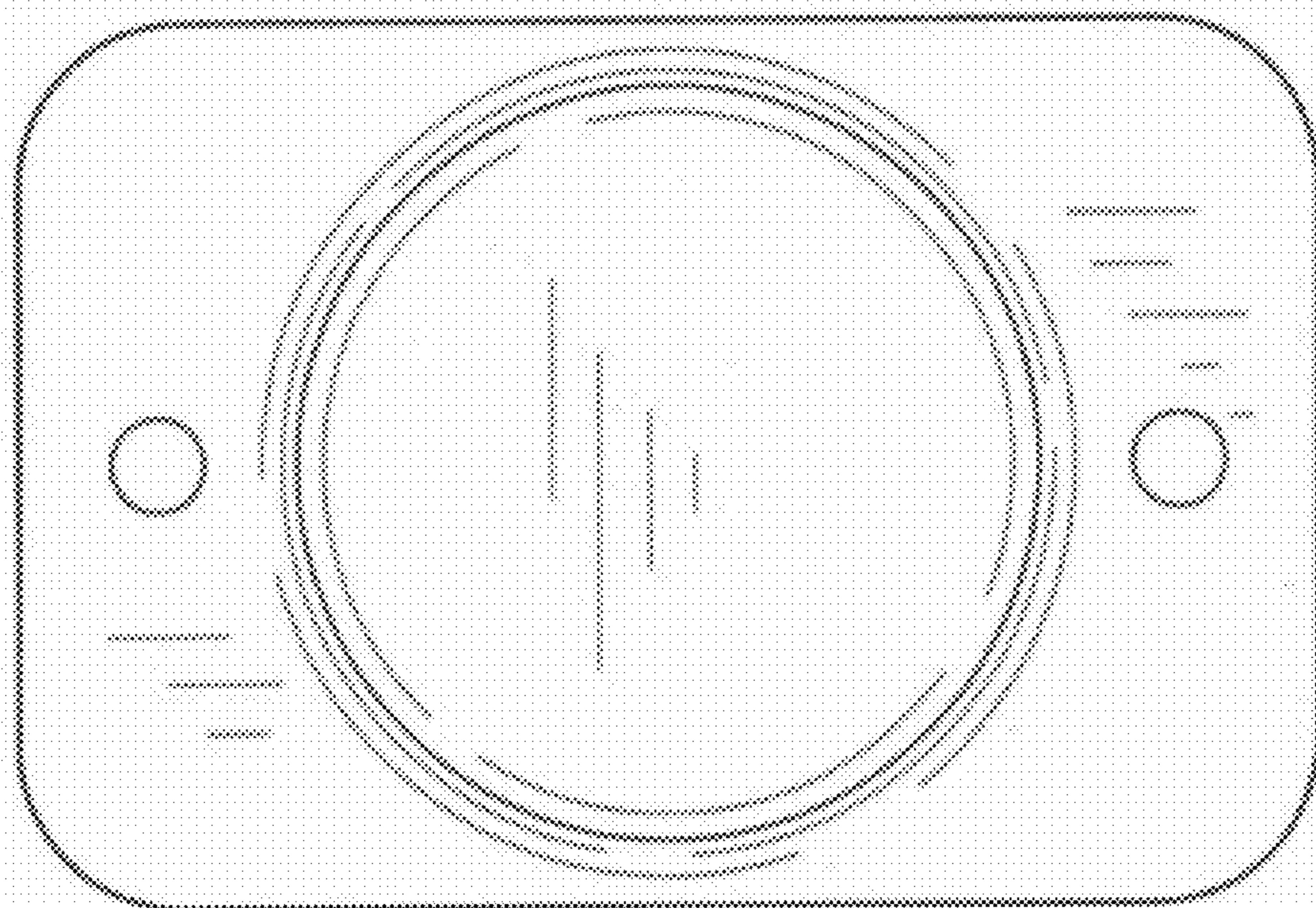


FIG. 5