



US00D654772S

(12) **United States Design Patent**
Freeman

(10) **Patent No.:** **US D654,772 S**

(45) **Date of Patent:** **** Feb. 28, 2012**

(54) **TOOL**

(76) Inventor: **Colin Freeman**, Exmouth (GB)

(**) Term: **14 Years**

(21) Appl. No.: **29/382,371**

(22) Filed: **Jan. 3, 2011**

(51) **LOC (9) Cl.** **08-05**

(52) **U.S. Cl.** **D8/89**

(58) **Field of Classification Search** D8/14,
D8/40, 43, 81-83, 87-89, 107; 7/143, 165-167;
81/489, 492

See application file for complete search history.

(56) **References Cited**

U.S. PATENT DOCUMENTS

D159,482 S *	8/1950	Garbs	D8/87
2,618,848 A	11/1952	Johnson	
D202,324 S *	9/1965	Steffen	D8/81
D202,475 S *	10/1965	Anderton	D8/81
3,423,825 A	1/1969	Frost et al.	
D324,471 S *	3/1992	Free	D8/14

D471,420 S *	3/2003	Hidalgo	D8/89
D482,586 S *	11/2003	Puerta	D8/82
D497,668 S *	10/2004	Bogazzi	D24/133
D601,395 S *	10/2009	Burton	D8/40
2009/0282951 A1	11/2009	Pella et al.	

* cited by examiner

Primary Examiner — Philip S Hyder

Assistant Examiner — Roselynn Cody

(74) *Attorney, Agent, or Firm* — Gordon & Jacobson, PC

(57) **CLAIM**

The ornamental design for a tool, as shown and described.

DESCRIPTION

FIG. 1 is a top view of a tool in accordance with the present invention;

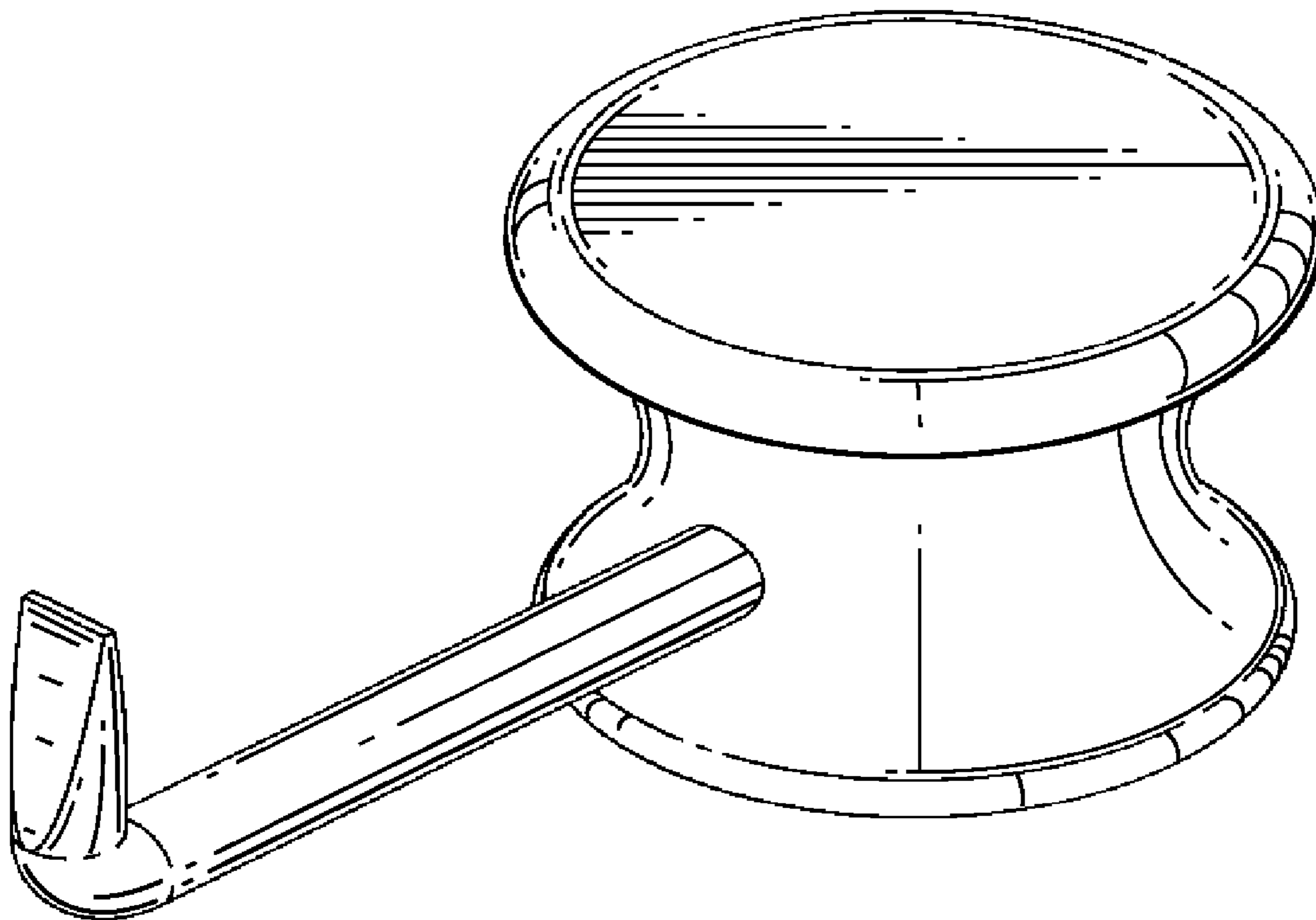
FIG. 2 is a front view of the tool of FIG. 1;

FIG. 3 is a right side view of the tool of FIG. 1, the left side view being a mirror image thereof;

FIG. 4 is a perspective side view of the tool of FIG. 1; and,

FIG. 5 is a perspective top view of the tool of FIG. 1.

1 Claim, 3 Drawing Sheets



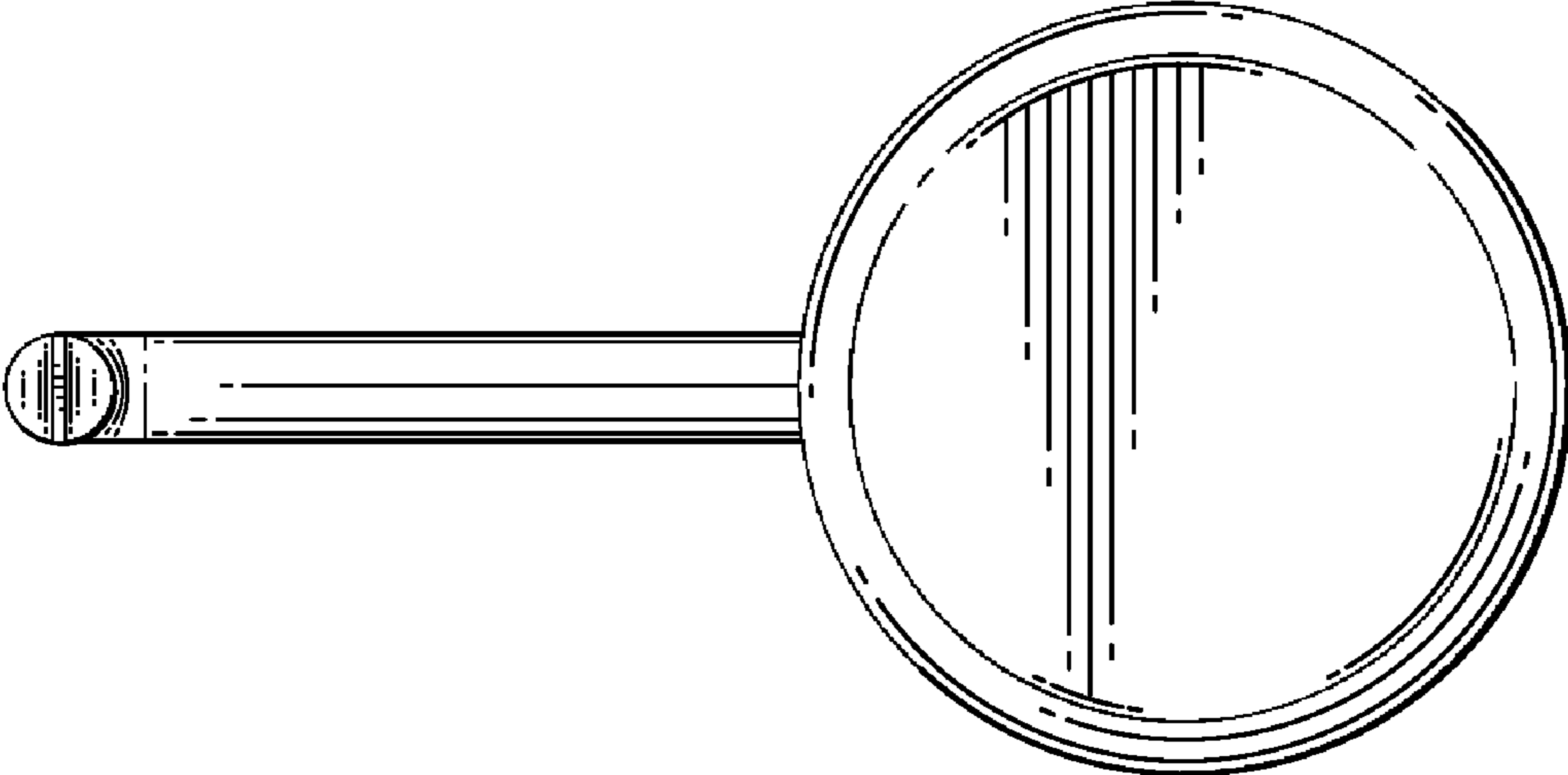


FIG. 1

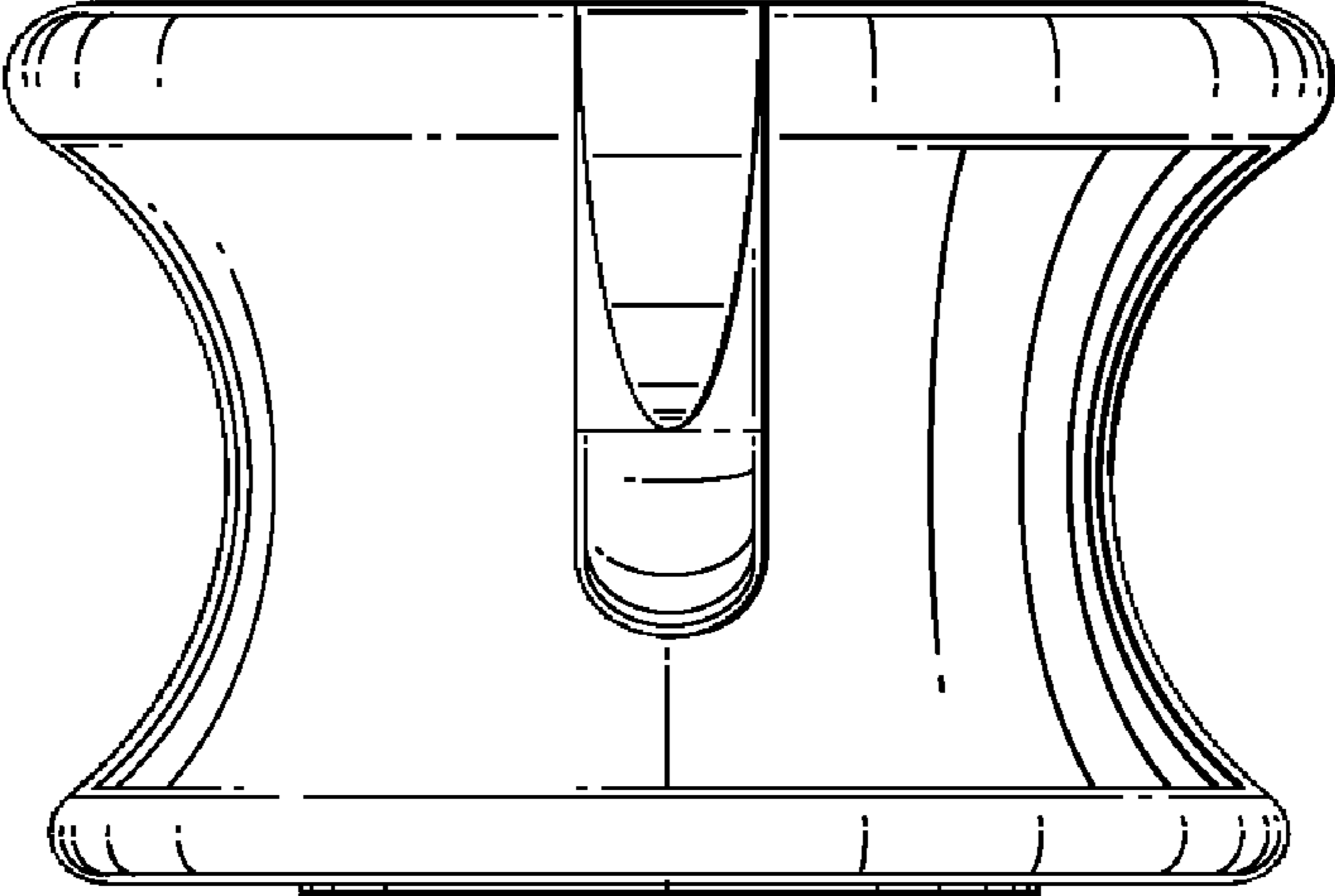


FIG. 2

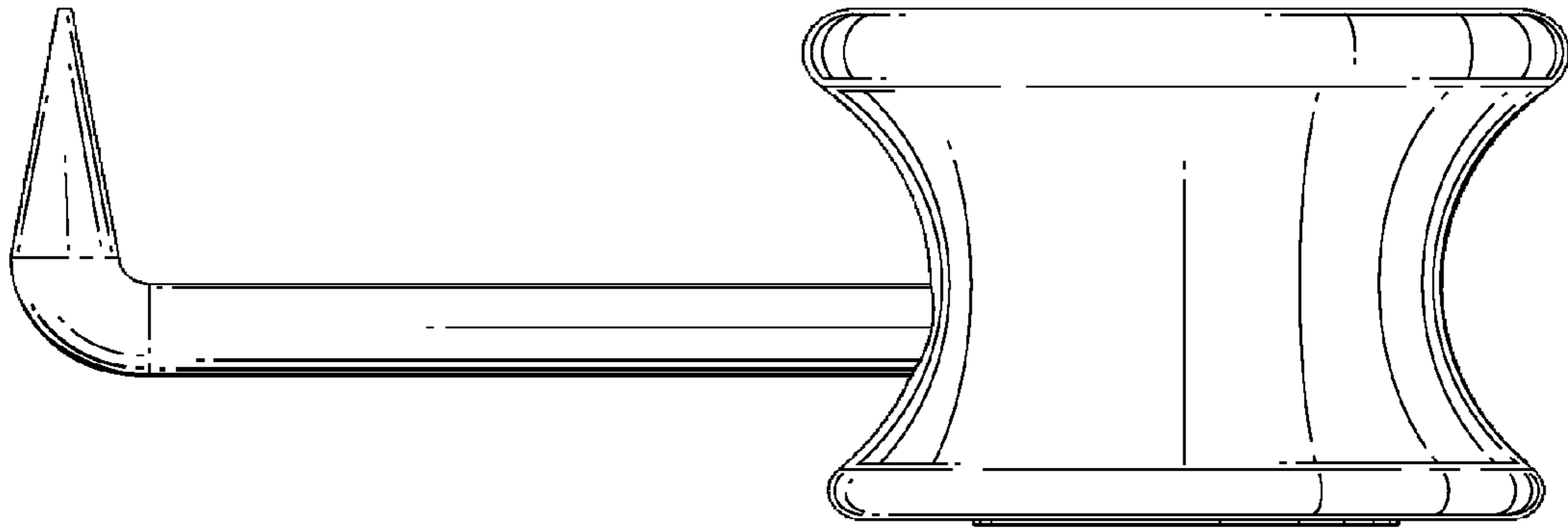


FIG. 3

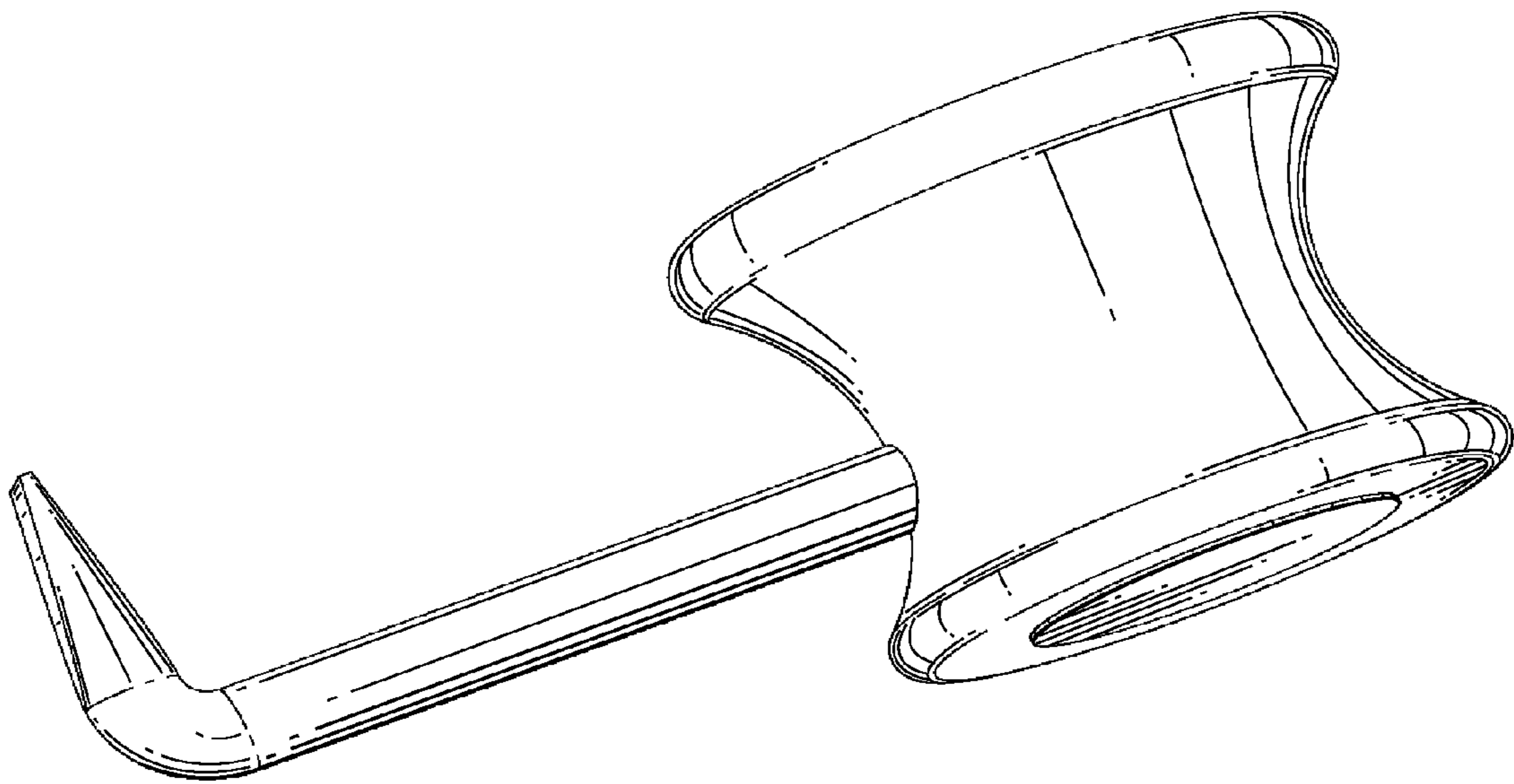


FIG. 4

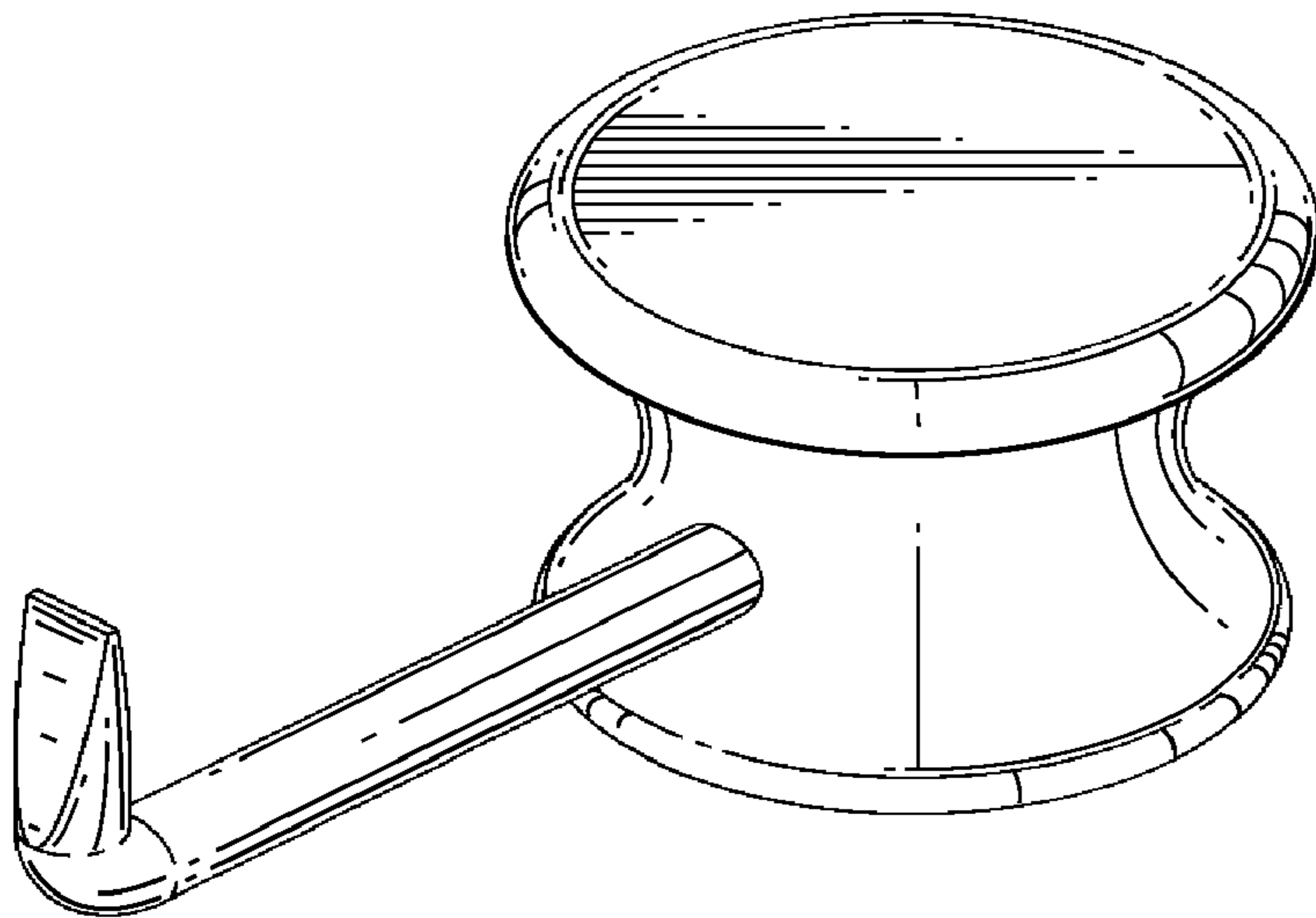


FIG. 5