



US00D654770S

(12) **United States Design Patent**  
**Frank et al.**

(10) **Patent No.:** **US D654,770 S**

(45) **Date of Patent:** **\*\* Feb. 28, 2012**

(54) **MULTIPLE OPENING DEVICE**

(76) Inventors: **Vincent D. Frank**, Avon, OH (US);  
**Joseph P. Hanna**, Westlake, OH (US)

(\*\*) Term: **14 Years**

(21) Appl. No.: **29/400,377**

(22) Filed: **Aug. 26, 2011**

(51) **LOC (9) Cl.** ..... **07-99**

(52) **U.S. Cl.** ..... **D8/40**

(58) **Field of Classification Search** ..... D8/14,  
D8/16-19, 33-43, 88, 89, 105; 7/113, 151-156;  
30/400-410, 416-430, 433, 434, 443, 450;  
81/3.07, 3.09, 3.2, 3.27, 3.29, 3.31, 3.35,  
81/3.37, 3.4, 3.45, 3.48, 3.49, 3.55

See application file for complete search history.

(56) **References Cited**

U.S. PATENT DOCUMENTS

3,415,093	A	*	12/1968	Newell	.....	D8/14
D302,234	S	*	7/1989	McNamee et al.	.....	D8/14
D353,755	S	*	12/1994	Lane	.....	D8/17
D391,134	S	*	2/1998	Laib	.....	D8/40

D420,265	S	*	2/2000	Pierce	.....	D8/40
D488,689	S	*	4/2004	Smith, IV	.....	D8/33
D501,381	S	*	2/2005	Kelleghan	.....	D8/18
7,343,835	B2	*	3/2008	Jensen	.....	81/3.27
D624,378	S	*	9/2010	Wysopal	.....	D8/40
D628,866	S	*	12/2010	Serret	.....	D8/17
D637,463	S	*	5/2011	Silvers et al.	.....	D8/18
D644,075	S	*	8/2011	Barnett	.....	D8/18

\* cited by examiner

*Primary Examiner* — Garth Rademaker

(74) *Attorney, Agent, or Firm* — Curatolo Sidoti Co., LPA;  
Salvatore A. Sidoti; Julie D. Hawk

(57) **CLAIM**

The ornamental design for a multiple opening device, as shown and described.

**DESCRIPTION**

FIG. 1 is a top view of a multiple opening device.

FIG. 2 is a side view thereof.

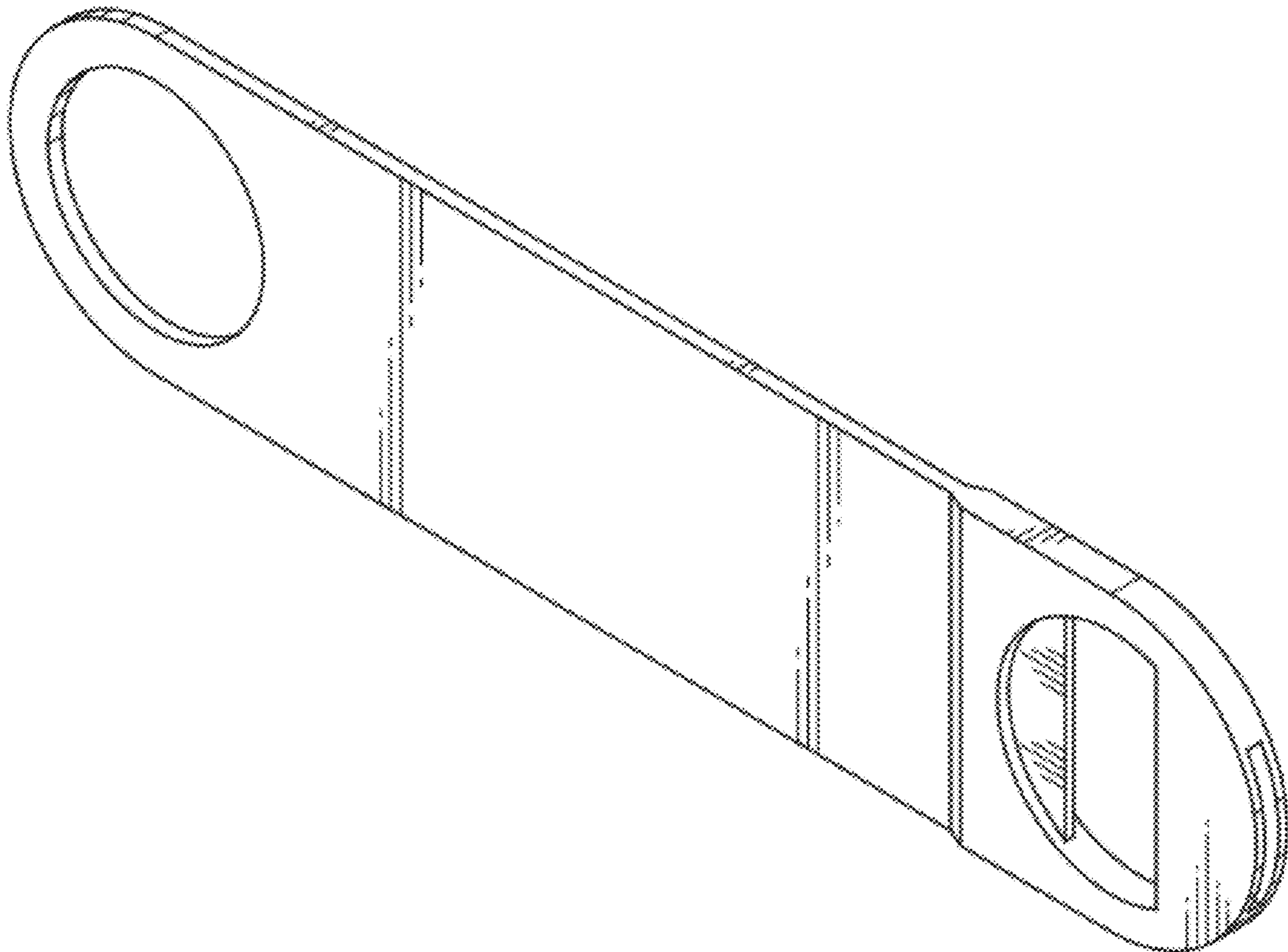
FIG. 3 is a front view thereof.

FIG. 4 is a rear view thereof.

FIG. 5 is a back perspective view thereof; and,

FIG. 6 is a front perspective view thereof.

**1 Claim, 2 Drawing Sheets**



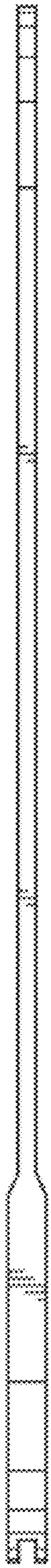


FIG. 2

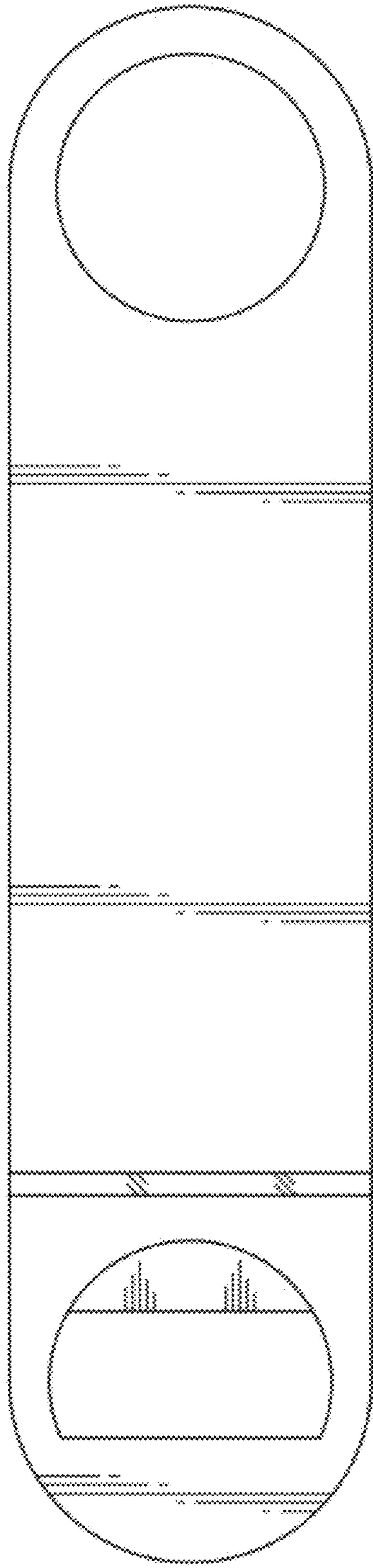


FIG. 1



FIG. 4



FIG. 3

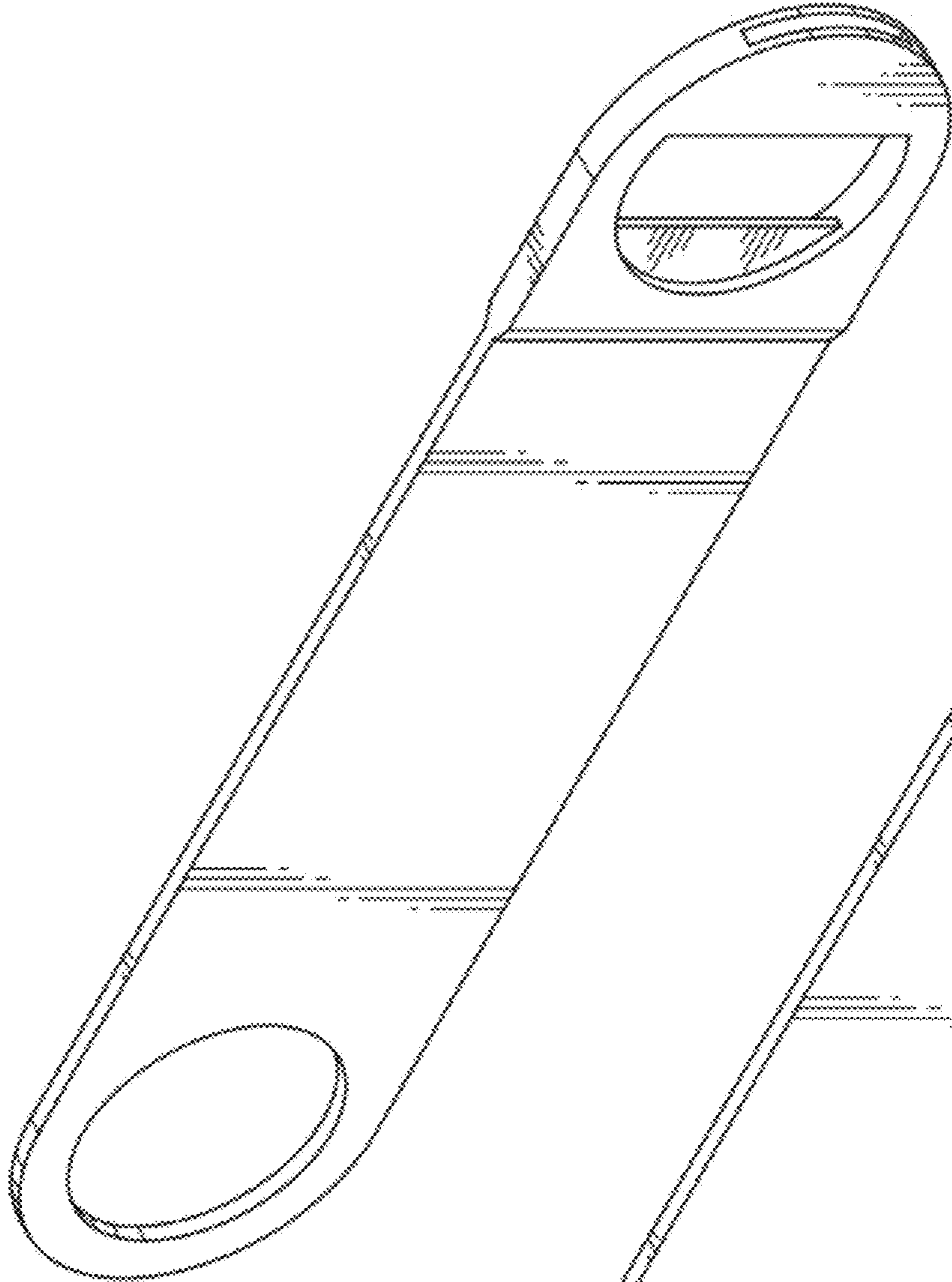


FIG. 5

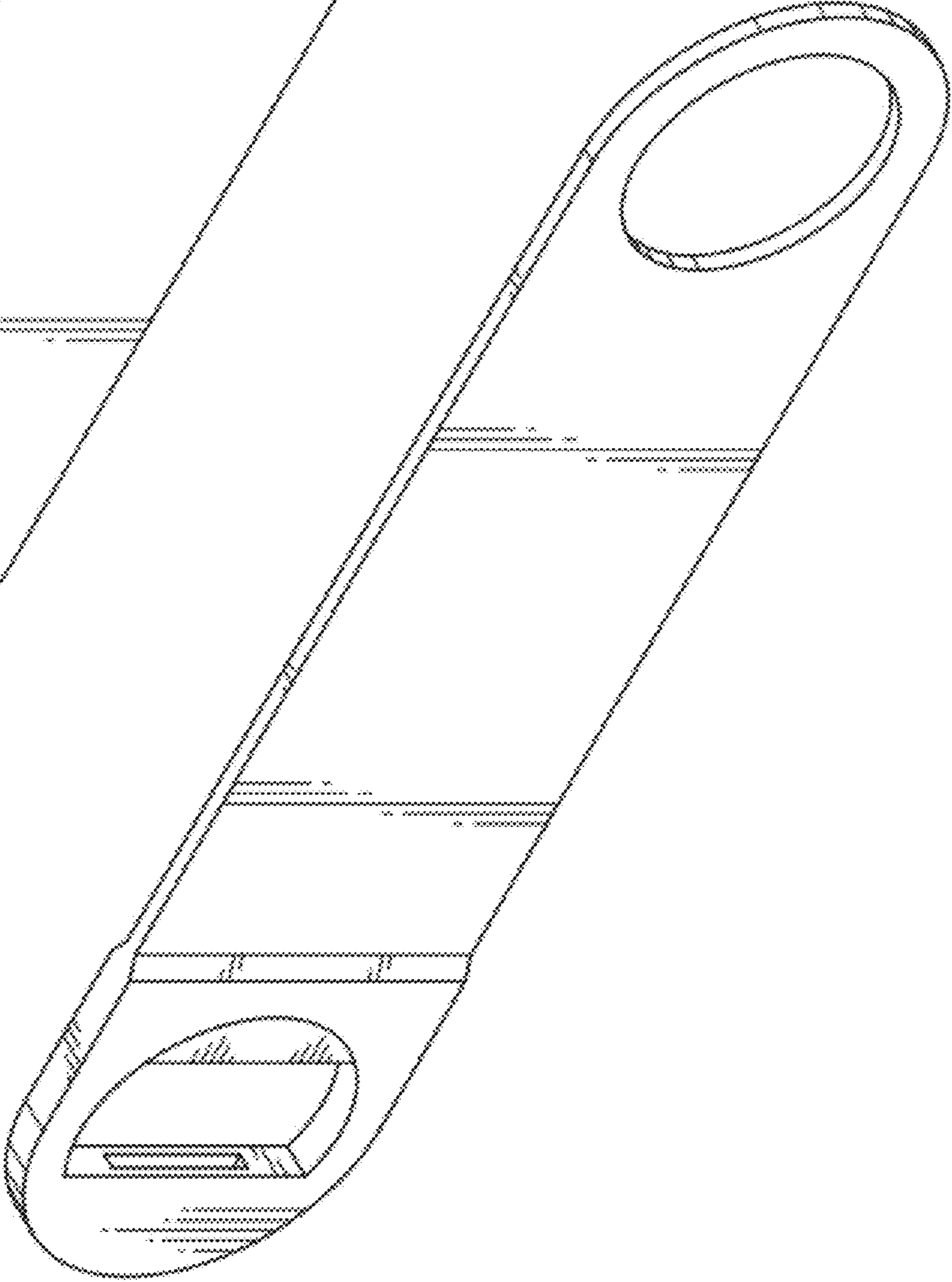


FIG. 6