

US00D654768S

(12) **United States Design Patent**
Rumrill et al.

(10) **Patent No.:** **US D654,768 S**

(45) **Date of Patent:** **** Feb. 28, 2012**

(54) **CAULKING GUN**

(75) Inventors: **Danny Rumrill**, Santa Rosa, CA (US);
Larry Childs, Cotati, CA (US)

(73) Assignee: **Dripless, Inc.**, Santa Rosa, CA (US)

(**) Term: **14 Years**

(21) Appl. No.: **29/392,086**

(22) Filed: **May 17, 2011**

Related U.S. Application Data

(62) Division of application No. 29/369,484, filed on Sep. 9, 2010, now Pat. No. Des. 640,517.

(51) **LOC (9) Cl.** **08-05**

(52) **U.S. Cl.** **D8/14.1**

(58) **Field of Classification Search** D8/14.1;
222/92, 105, 145.1, 160, 325-327, 386, 391,
222/567; 74/141.5

See application file for complete search history.

(56) **References Cited**

U.S. PATENT DOCUMENTS

4,072,254 A * 2/1978 Cox 222/391
D285,895 S * 9/1986 Cox D8/14.1
5,372,286 A * 12/1994 King 222/391

D354,208 S 1/1995 Vega
5,887,765 A 3/1999 Broesamle
6,325,261 B1 12/2001 Webber
D455,619 S * 4/2002 Chang D8/14.1
D511,445 S 11/2005 Childs
7,073,691 B2 7/2006 Rumrill
7,757,904 B2 7/2010 Rumrill

* cited by examiner

Primary Examiner — Antoine D Davis

(74) *Attorney, Agent, or Firm* — Senniger Powers LLP

(57) **CLAIM**

The ornamental design for a caulking gun, as shown and described.

DESCRIPTION

FIG. 1 is a perspective view of a one embodiment of the caulking gun of our new design.

FIG. 2 is a front elevational view of the caulking gun of FIG. 1.

FIG. 3 is a rear elevational view of the caulking gun of FIG. 1.

FIG. 4 is a top plan view of the caulking gun of FIG. 1.

FIG. 5 is a right side elevational view of the caulking gun of FIG. 1.

FIG. 6 is a left side elevational view of the caulking gun of FIG. 1; and,

FIG. 7 is a bottom plan view of the caulking gun of FIG. 1.

1 Claim, 7 Drawing Sheets

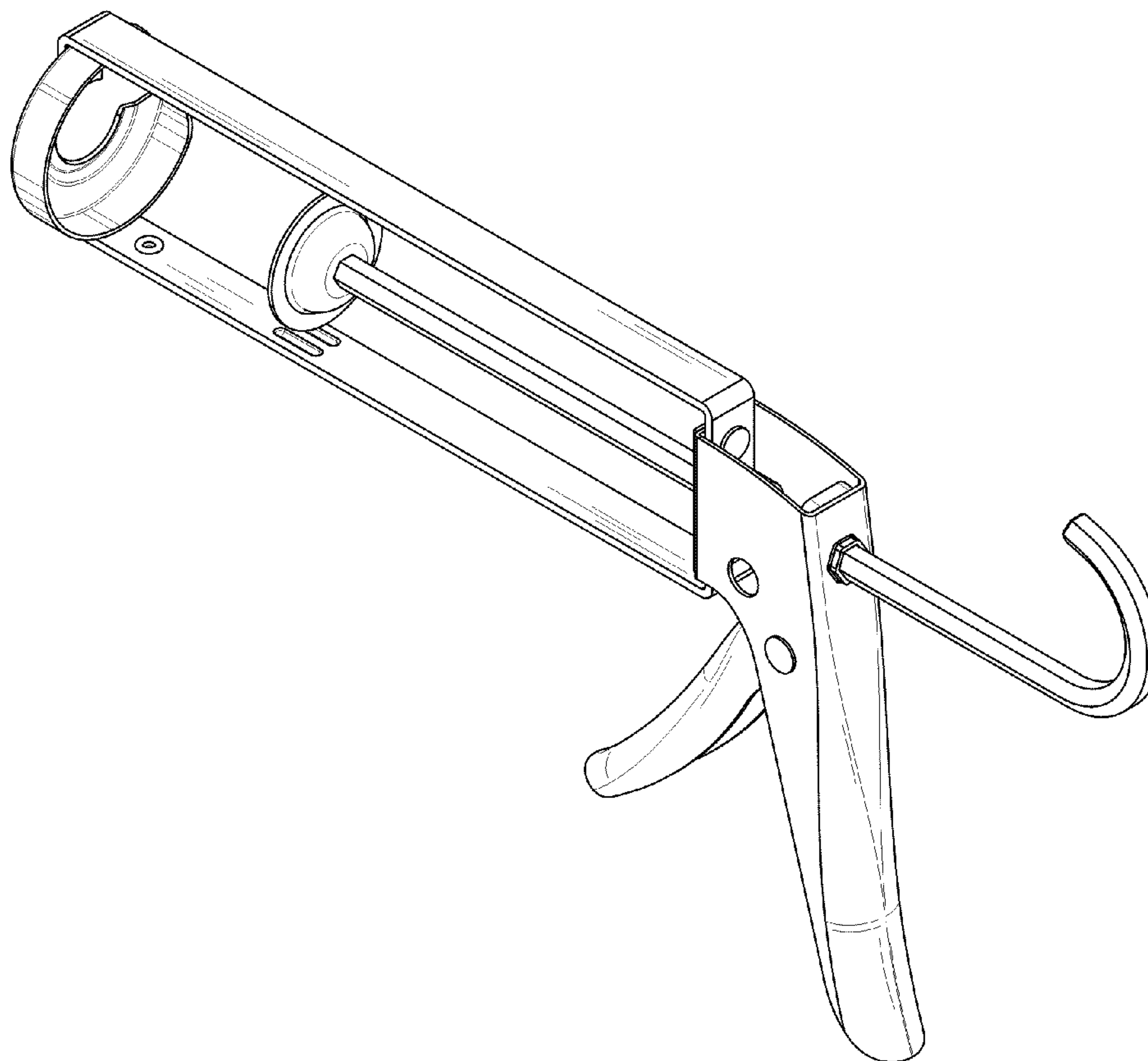
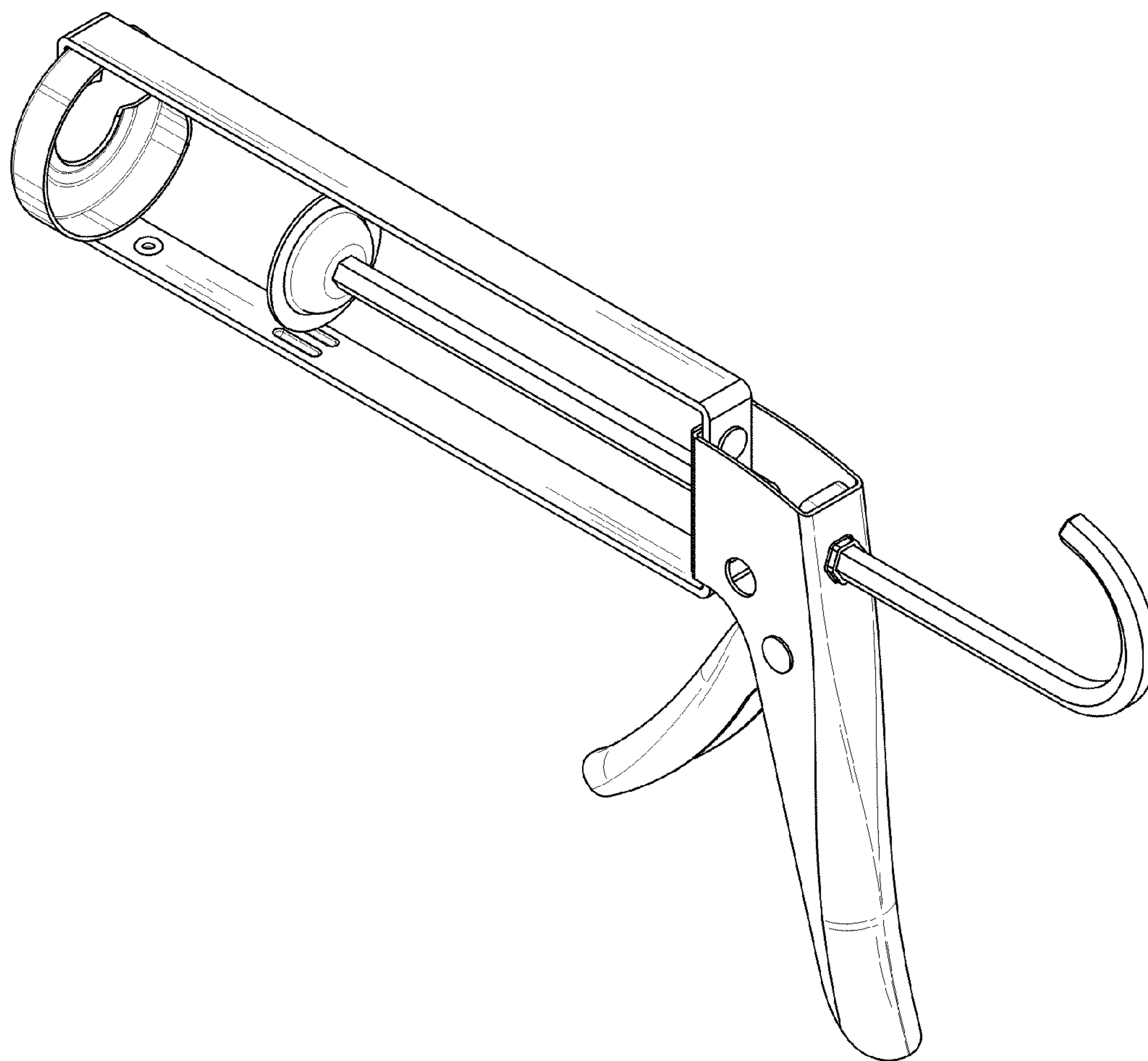


FIG. 1



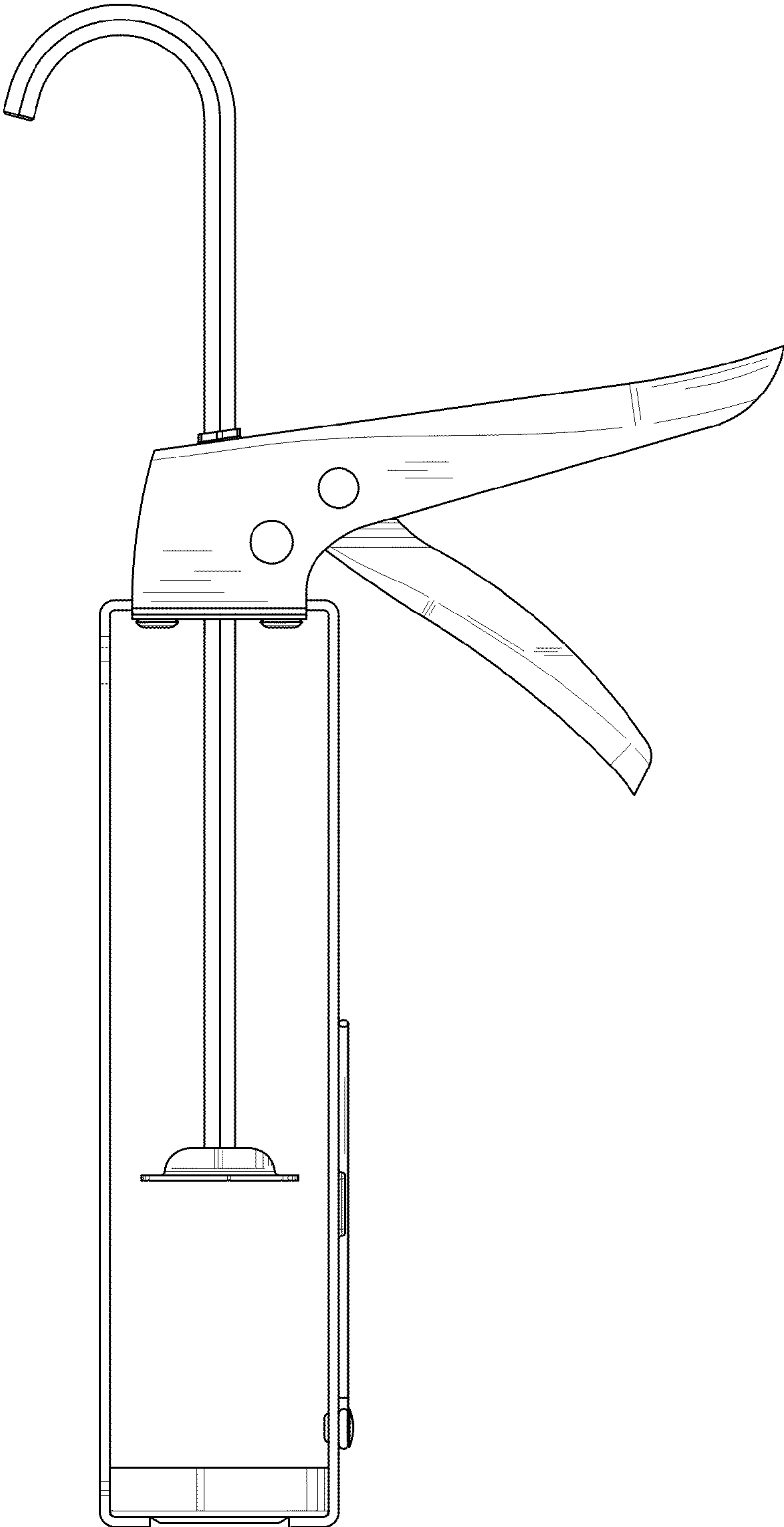


FIG. 2

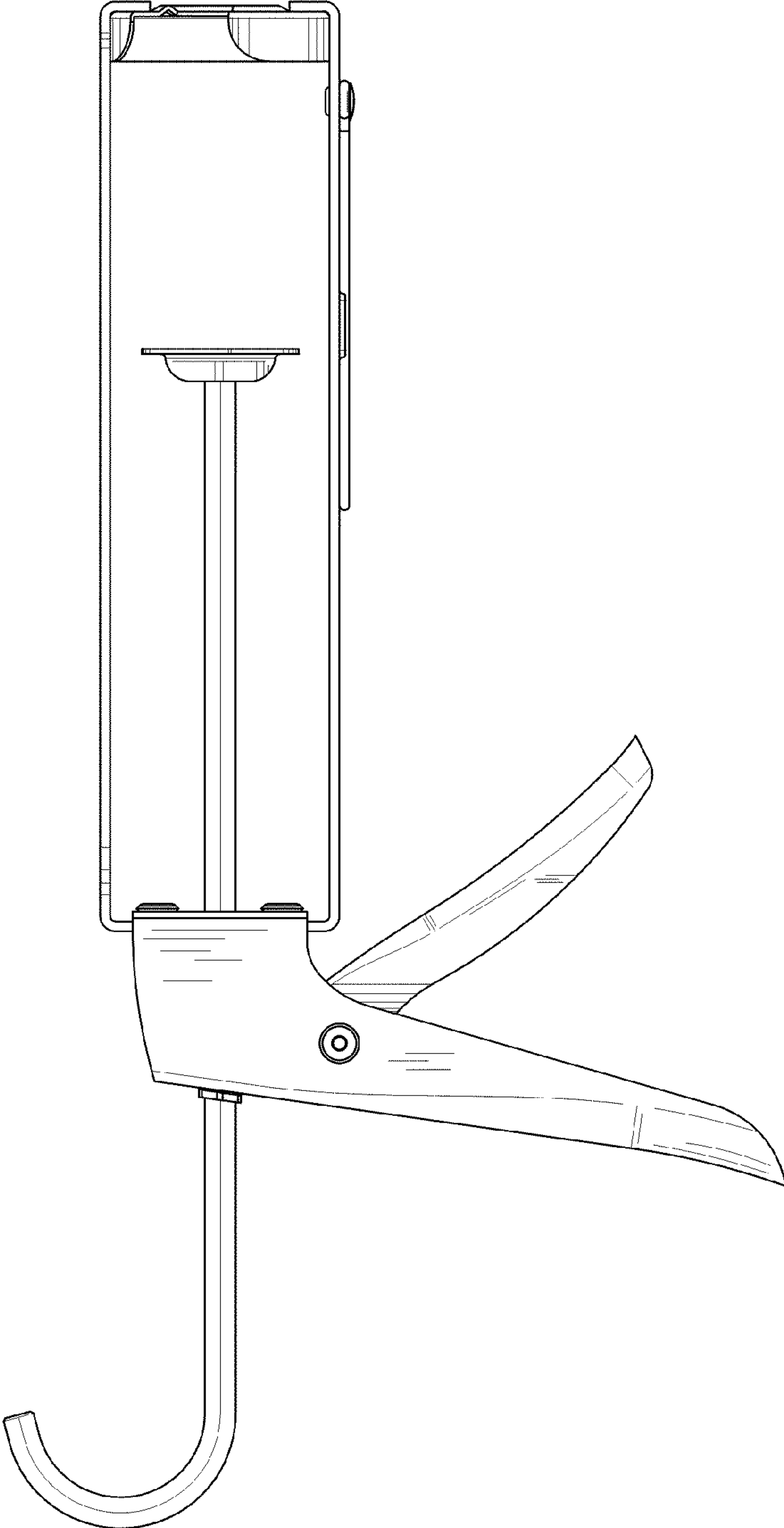


FIG. 3

FIG. 4

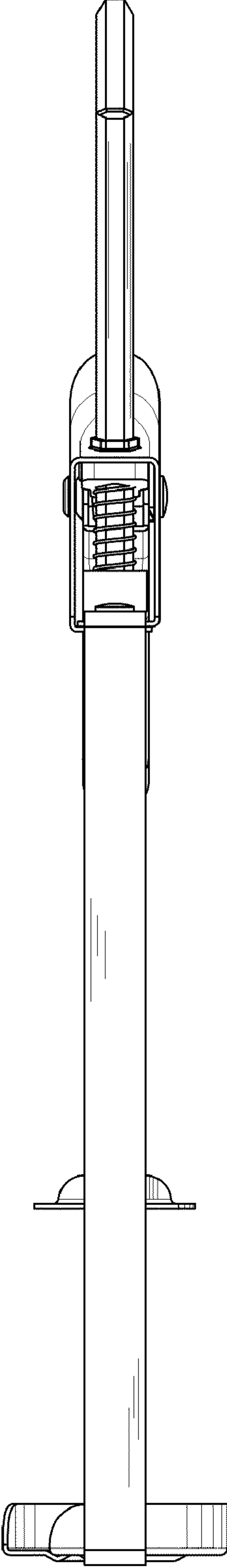


FIG. 5

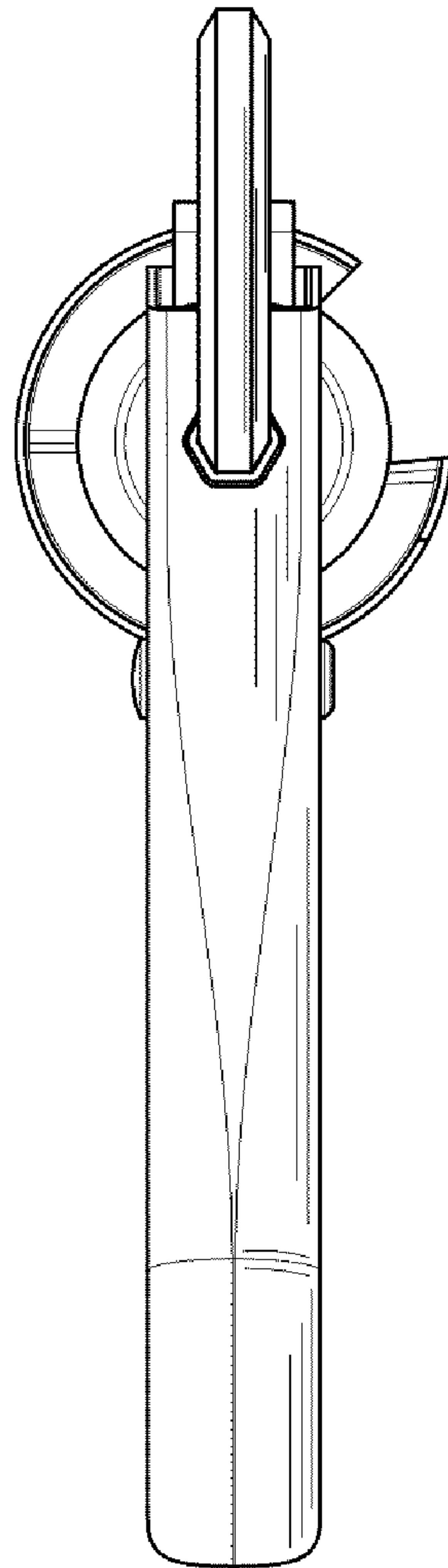


FIG. 6

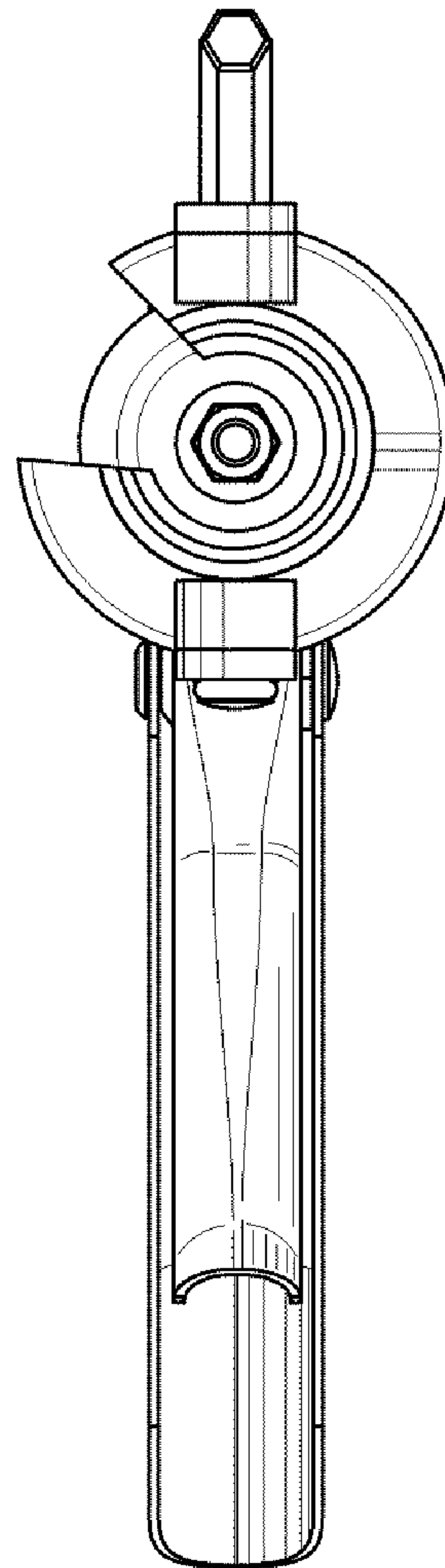


FIG. 7

