



US00D654761S

(12) **United States Design Patent**
Herbst

(10) **Patent No.:** **US D654,761 S**

(45) **Date of Patent:** **** Feb. 28, 2012**

(54) **VASE/SPICE MILL**

(75) **Inventor:** **Scot Herbst**, San Jose, CA (US)

(73) **Assignee:** **Slice, Inc.**, Campbell, CA (US)

(**) **Term:** **14 Years**

(21) **Appl. No.:** **29/387,432**

(22) **Filed:** **Mar. 14, 2011**

(51) **LOC (9) Cl.** **07-01**

(52) **U.S. Cl.** **D7/505; D7/679; D11/146**

(58) **Field of Classification Search** **D7/679,**
D7/505, 507; D9/526, 549; D11/131, 157,
D11/146; 215/383, 382, 384

See application file for complete search history.

(56) **References Cited**

U.S. PATENT DOCUMENTS

D172,852	S	*	8/1954	Van Koert	D7/591
2,717,727	A	*	9/1955	Robb	222/512
D196,455	S	*	10/1963	Smith	D9/504
D512,938	S	*	12/2005	Morris et al.	D11/131
D546,690	S	*	7/2007	Rashid	D9/522
D559,434	S	*	1/2008	Morris et al.	D26/128
D560,018	S	*	1/2008	Morris et al.	D26/128
D560,445	S	*	1/2008	Tardif et al.	D7/679

D574,199	S	*	8/2008	Griffith et al.	D7/679
D604,555	S	*	11/2009	Jensen et al.	D7/316
D610,882	S	*	3/2010	Jossem et al.	D7/679
D616,307	S	*	5/2010	Legros	D9/529
D618,062	S	*	6/2010	Jossem et al.	D7/598
D634,977	S	*	3/2011	Mouquet	D7/598
D637,445	S	*	5/2011	Chung et al.	D7/316

* cited by examiner

Primary Examiner — Marianne Pandozzi

(74) *Attorney, Agent, or Firm* — James M Smedley LLC;
James Michael Smedley, Esq.

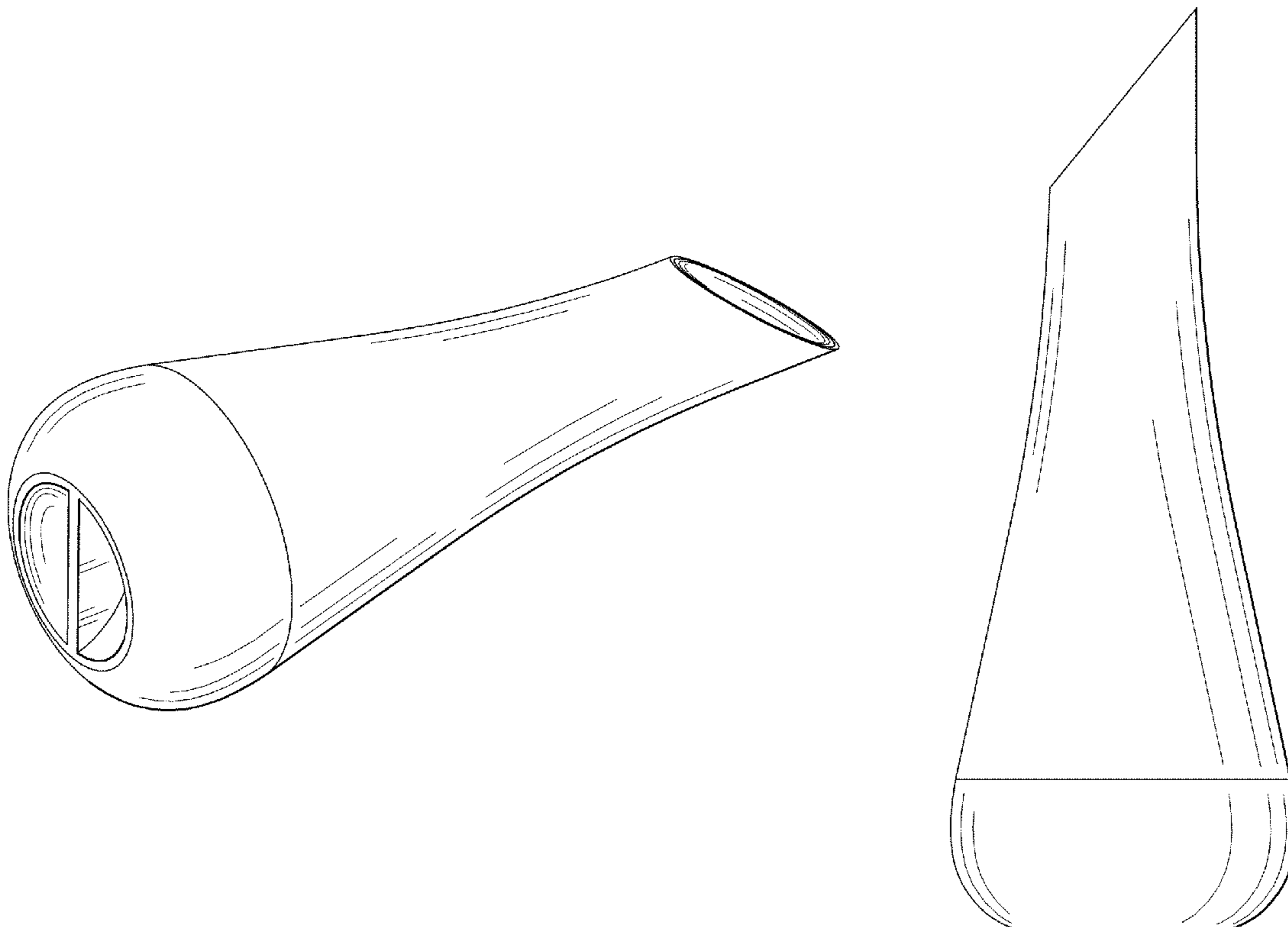
(57) **CLAIM**

I claim the ornamental design for a vase/spice mill, as shown and described.

DESCRIPTION

FIG. 1 is a perspective view showing the new design.
 FIG. 2 is an opposite side perspective view showing the new design.
 FIG. 3 is a side view showing the new design.
 FIG. 4 is an opposite side view showing the new design.
 FIG. 5 is a front view showing the new design.
 FIG. 6 is a back view showing the new design.
 FIG. 7 is a top view showing the new design; and,
 FIG. 8 is a bottom view showing the new design.

1 Claim, 3 Drawing Sheets



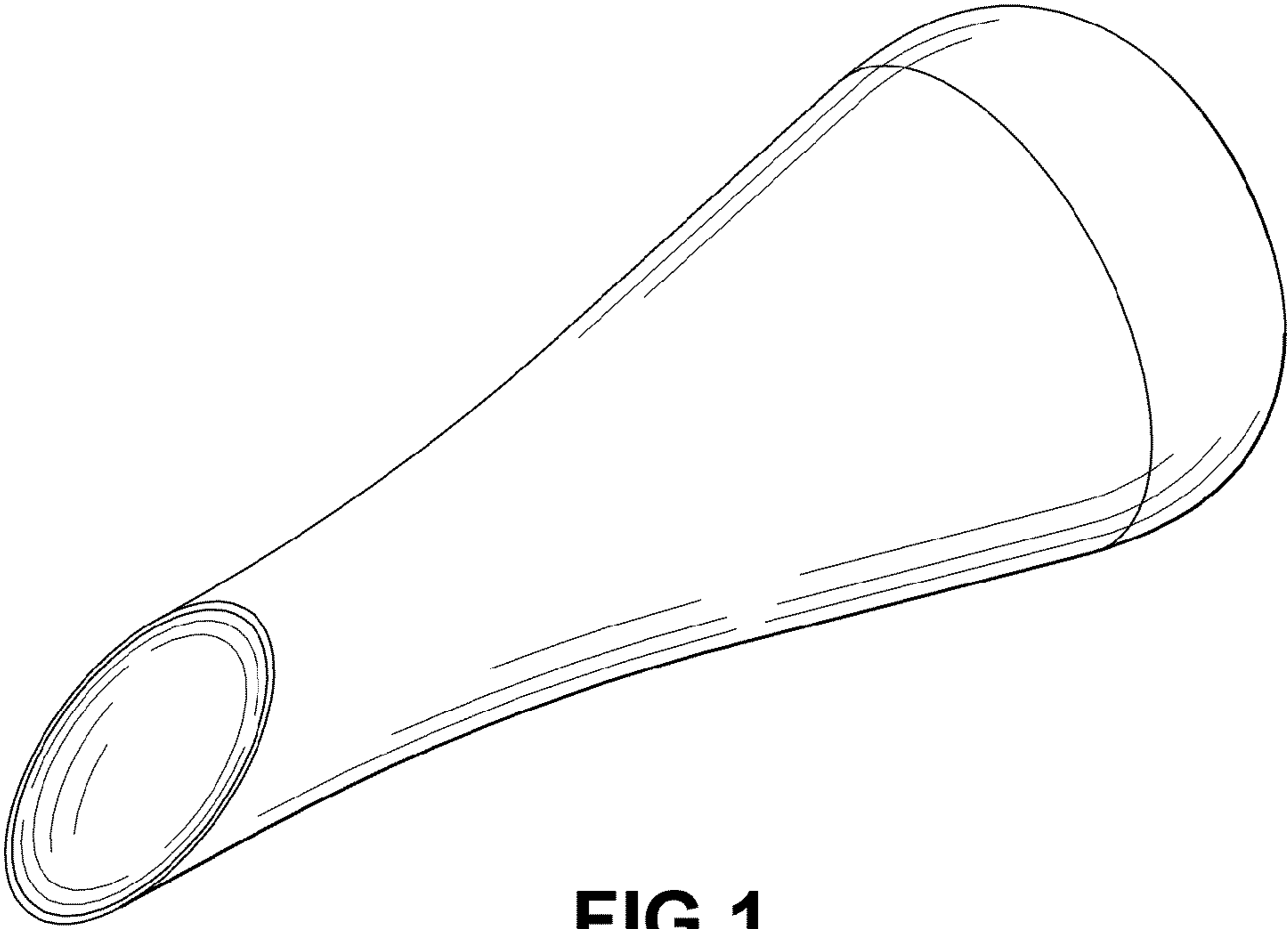


FIG.1

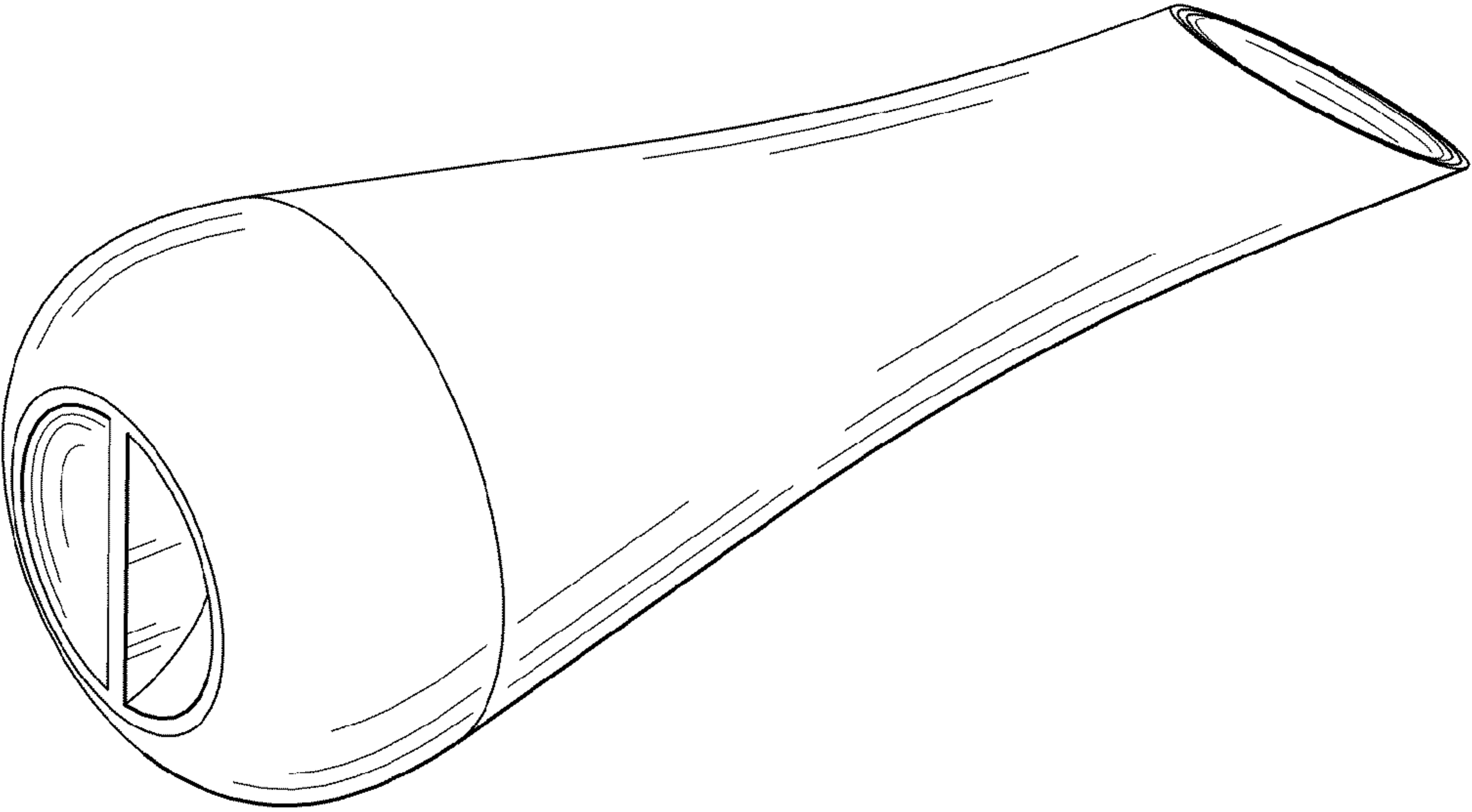


FIG.2

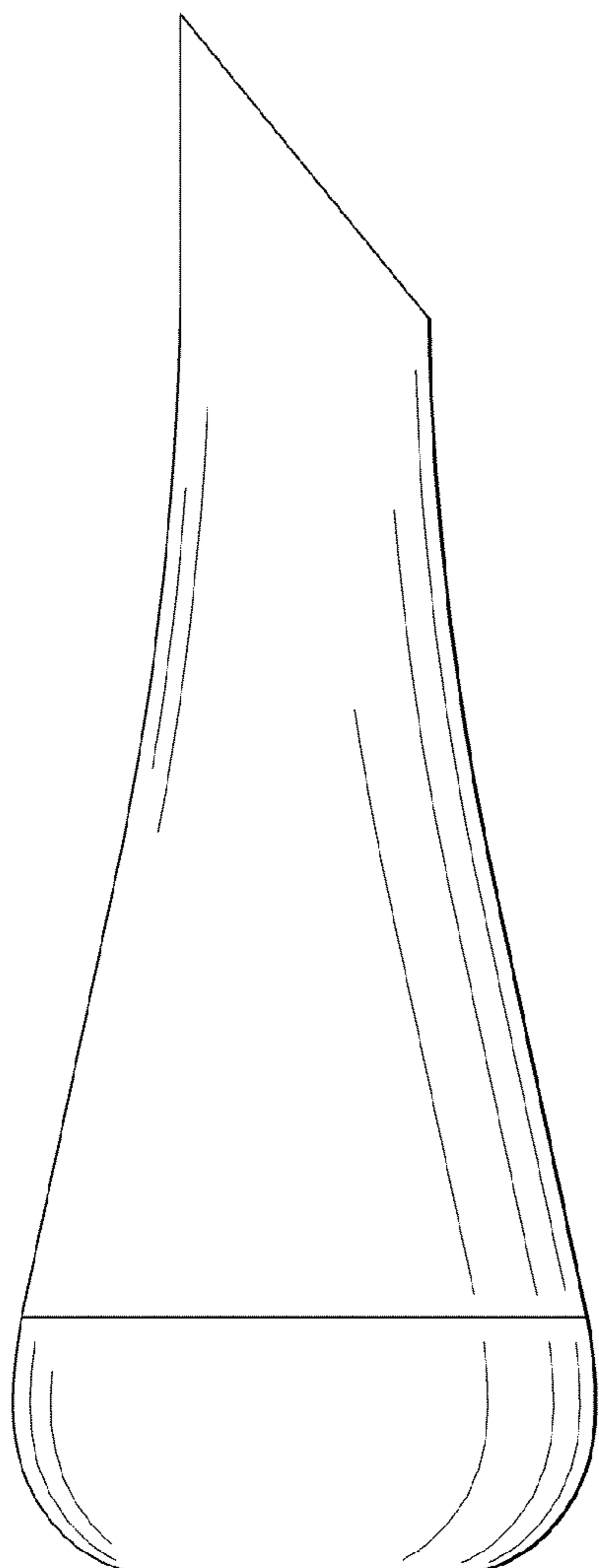


FIG.3



FIG.4

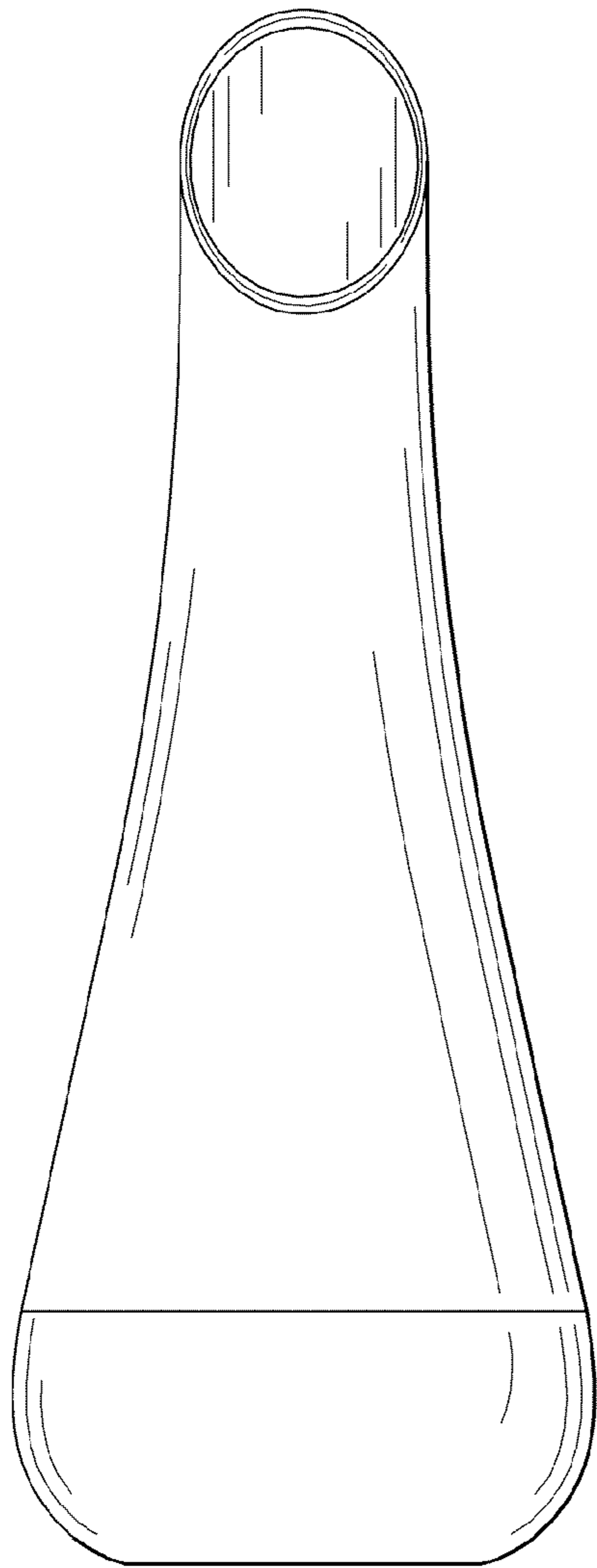


FIG. 5

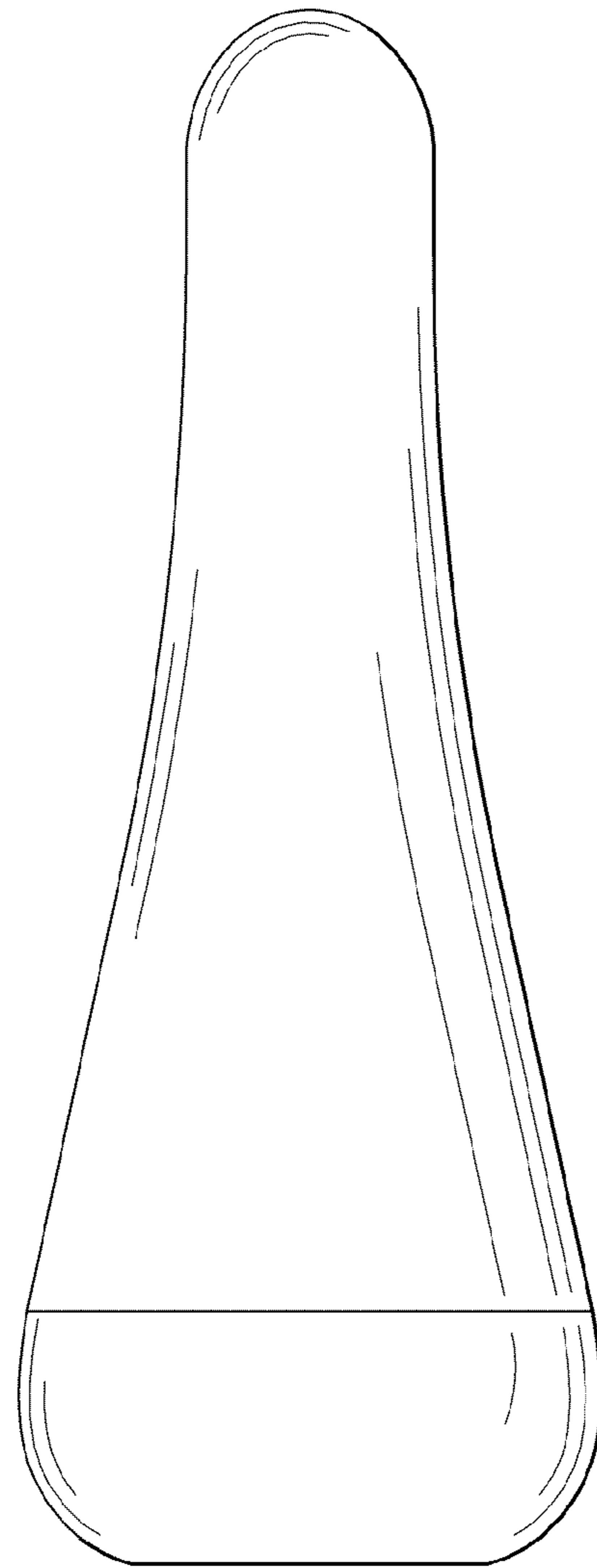


FIG. 6

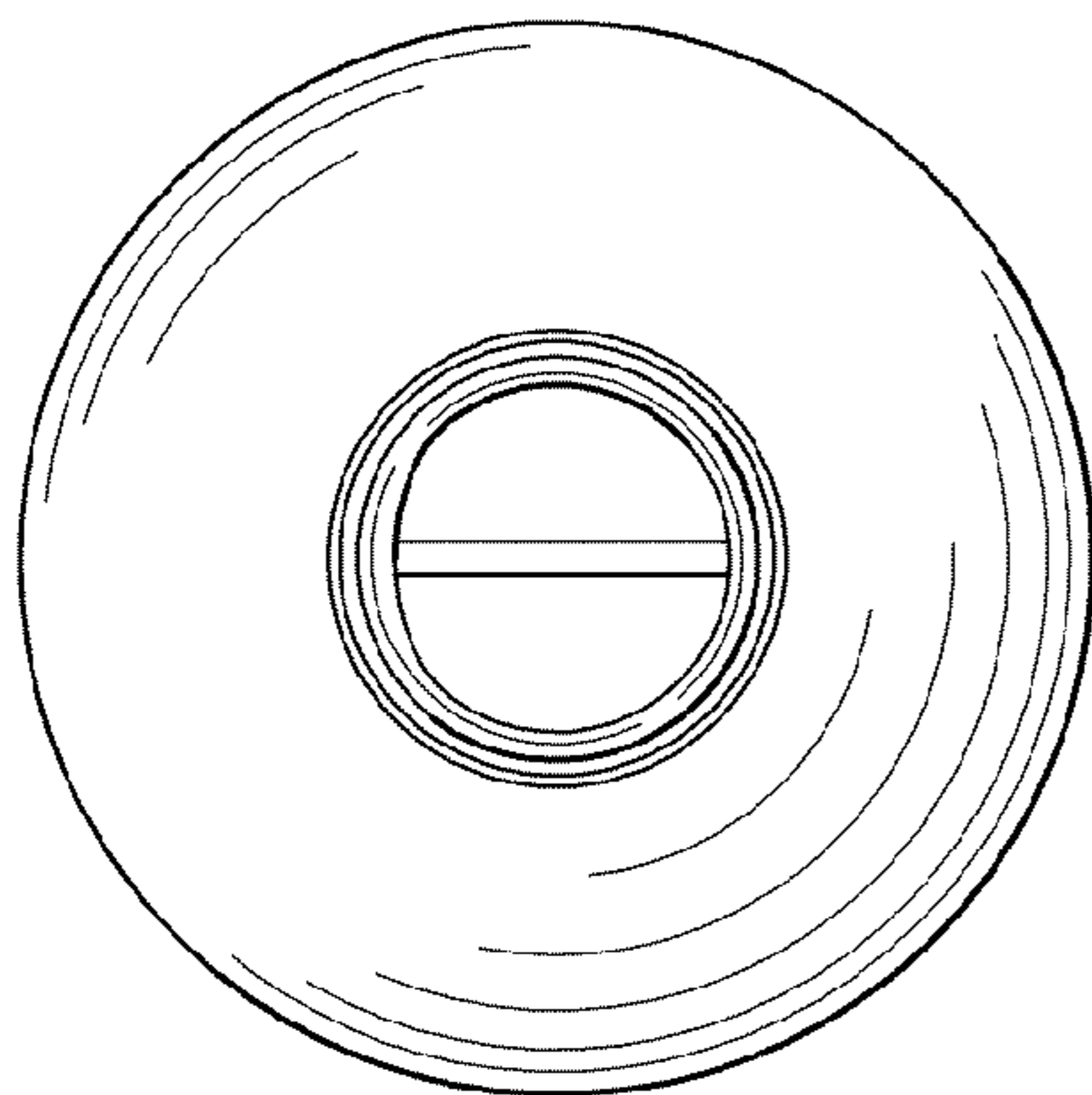


FIG. 7

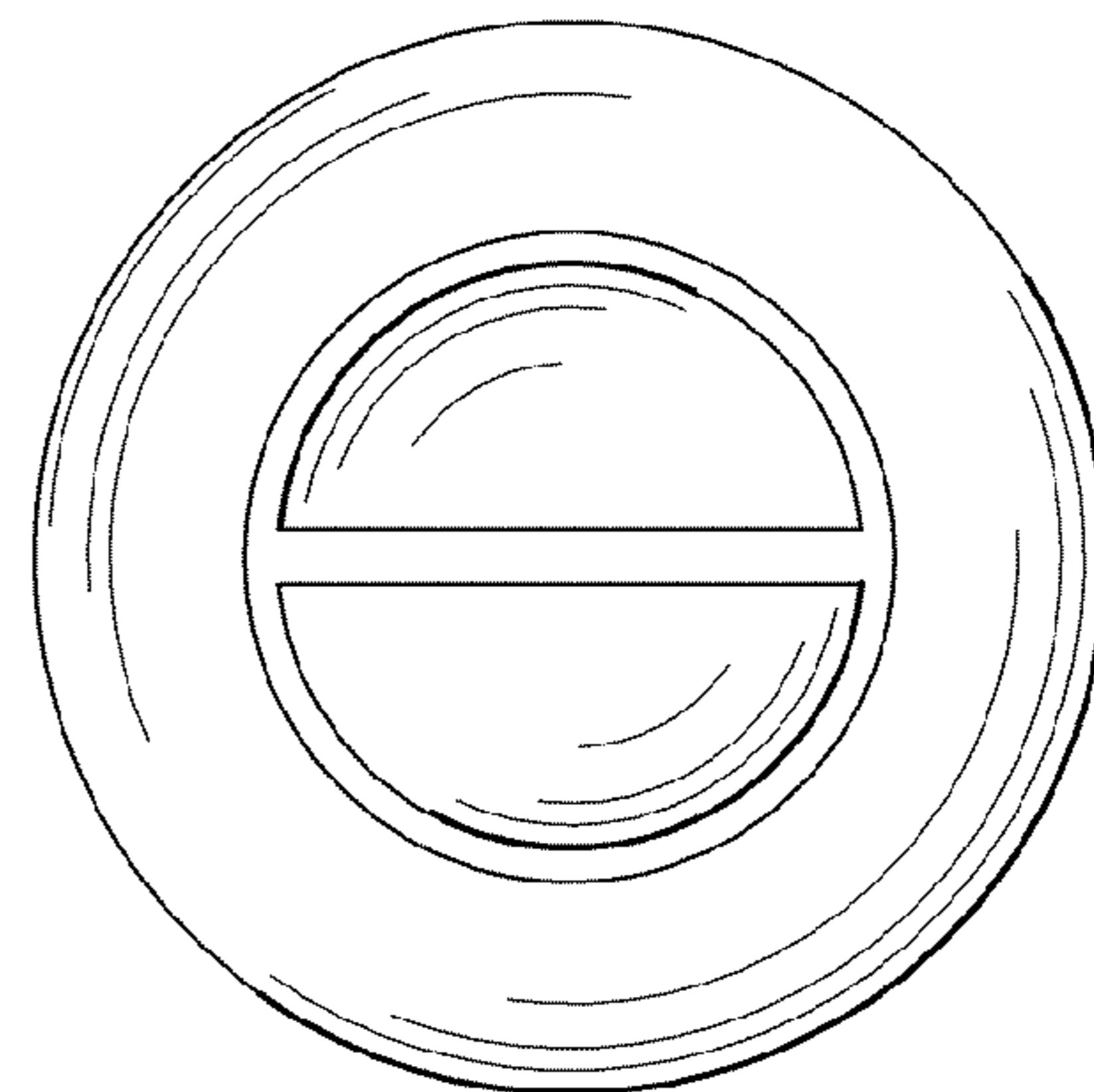


FIG. 8