



US00D654759S

(12) **United States Design Patent**
Browning et al.

(10) **Patent No.:** **US D654,759 S**

(45) **Date of Patent:** **** Feb. 28, 2012**

(54) **FOOD COOKING DEVICE**

(75) Inventors: **Jeff Browning**, Charlotte, NC (US);
Todd Stancombe, Charlotte, NC (US);
Elizabeth Ravreby Kaufman, Houston,
TX (US)

(73) Assignee: **Edison Nation, LLC**, Charlotte, NC
(US)

(**) Term: **14 Years**

(21) Appl. No.: **29/369,535**

(22) Filed: **Sep. 9, 2010**

(51) **LOC (9) Cl.** **07-02**

(52) **U.S. Cl.** **D7/354**

(58) **Field of Classification Search** D7/354,
D7/357, 500, 503, 361; 99/324, 336, 419,
99/440

See application file for complete search history.

(56) **References Cited**

U.S. PATENT DOCUMENTS

D147,994 S *	11/1947	Siessmayr	D7/503
3,161,156 A *	12/1964	Batista et al.	249/120
3,757,674 A *	9/1973	Carroll	99/440
3,791,285 A *	2/1974	Mack	99/419
D285,403 S *	9/1986	Wilson	D7/354

D302,376 S *	7/1989	Eisele	D7/361
D342,188 S *	12/1993	Chen	D7/503
D423,869 S *	5/2000	Dadez	D7/354
D441,596 S *	5/2001	Fernandez	D7/354
D452,115 S *	12/2001	Malimovka	D7/503
D567,014 S *	4/2008	Silver et al.	D7/354
D615,807 S *	5/2010	Creel	D7/358

* cited by examiner

Primary Examiner — Zenia Bennett

(74) *Attorney, Agent, or Firm* — Tillman Wright, PLLC;
Chad D. Tillman; James D. Wright

(57) **CLAIM**

The ornamental design for a food cooking device, as shown.

DESCRIPTION

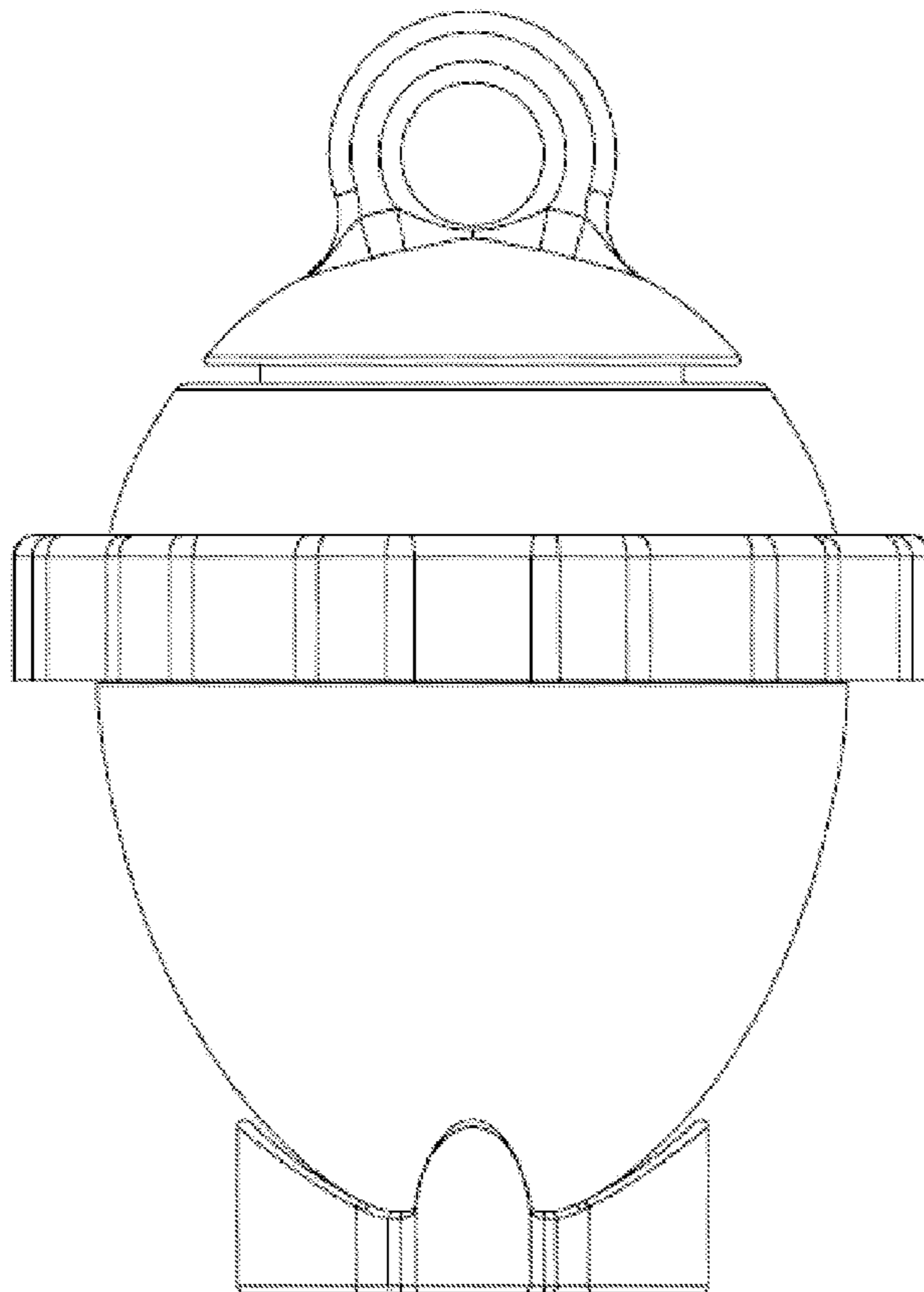
FIG. 1 is a front view of an egg-shaped vessel in accordance with an embodiment of the present invention, the back view being a mirror image thereof.

FIG. 2 is a right side view of the egg-shaped vessel of FIG. 1, the left side view being a mirror image thereof.

FIG. 3 is a top view of the egg-shaped vessel of FIG. 1; and, FIG. 4 is a bottom view of the egg-shaped vessel of FIG. 1.

The broken lines in the drawing are for illustrative purposes only and form no part of the claimed design.

1 Claim, 4 Drawing Sheets



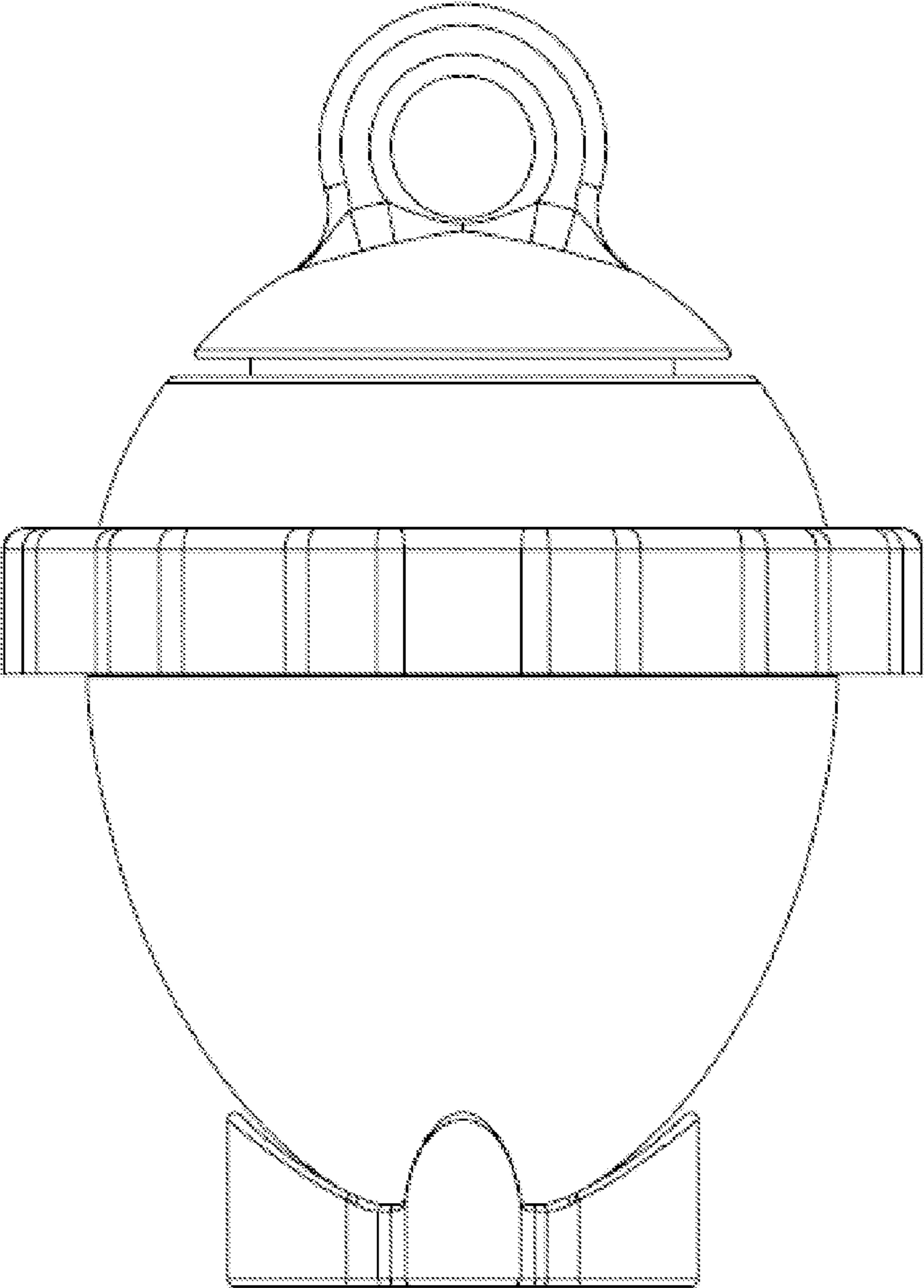


FIG. 1

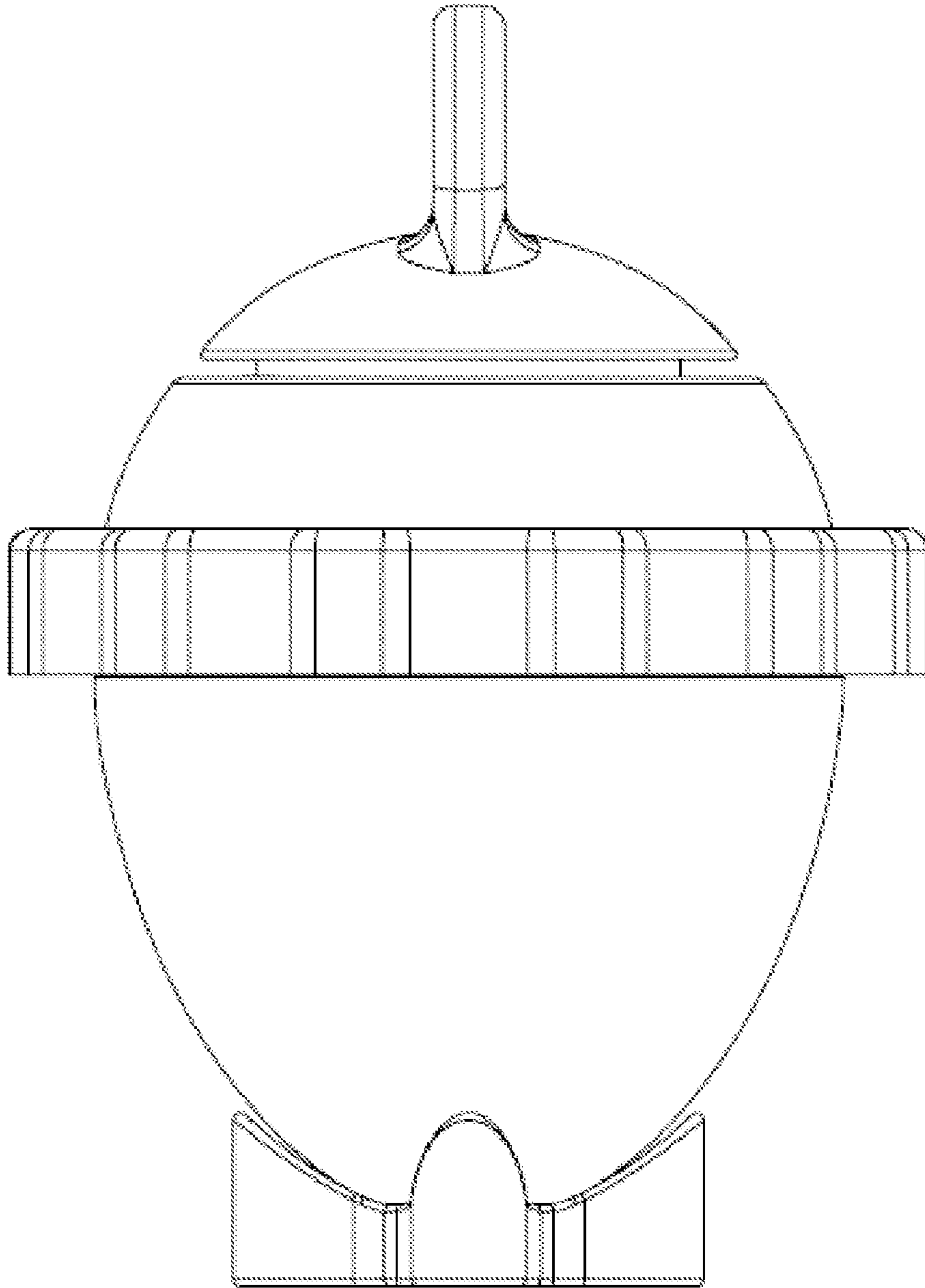


FIG. 2

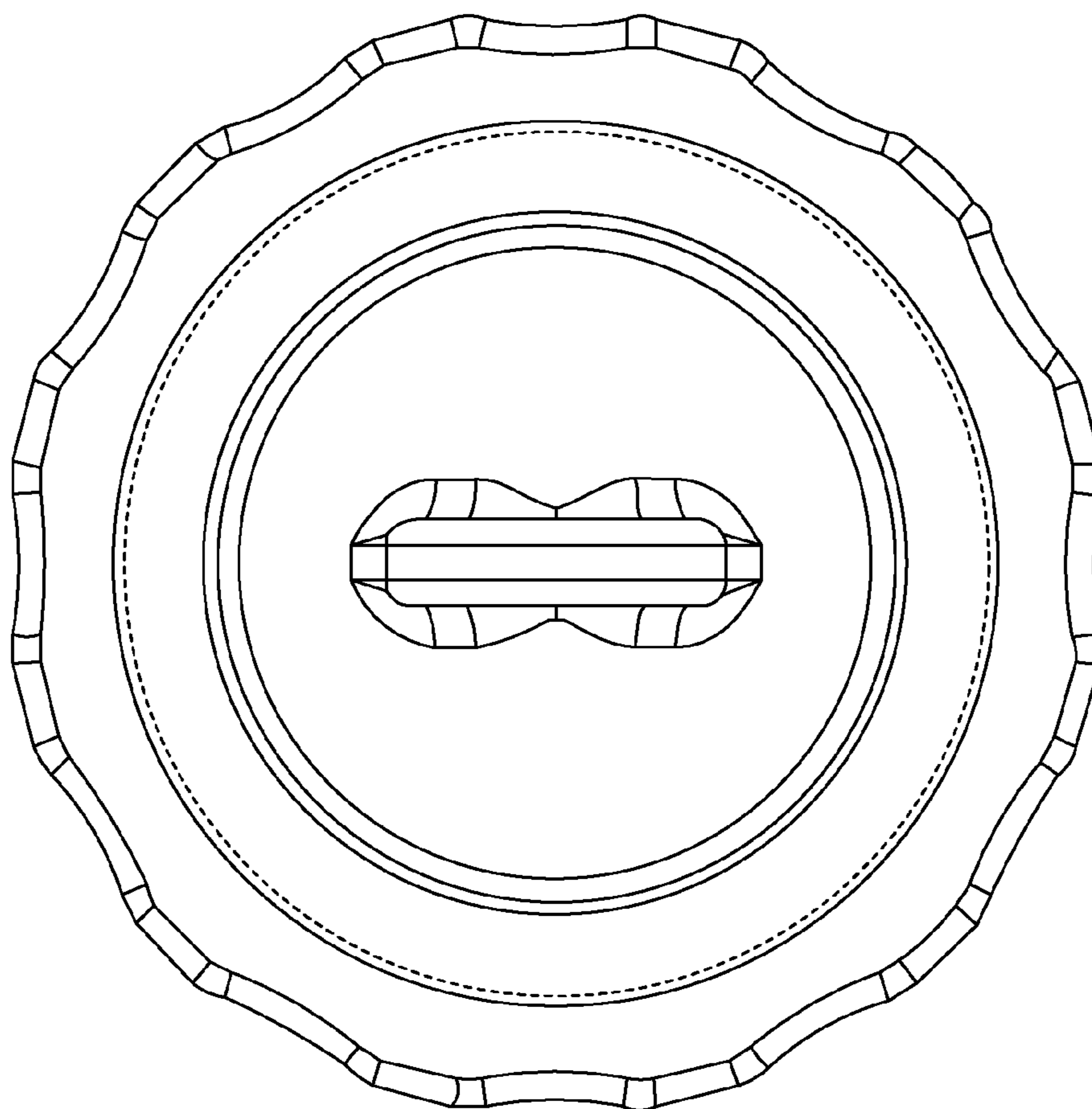


FIG. 3

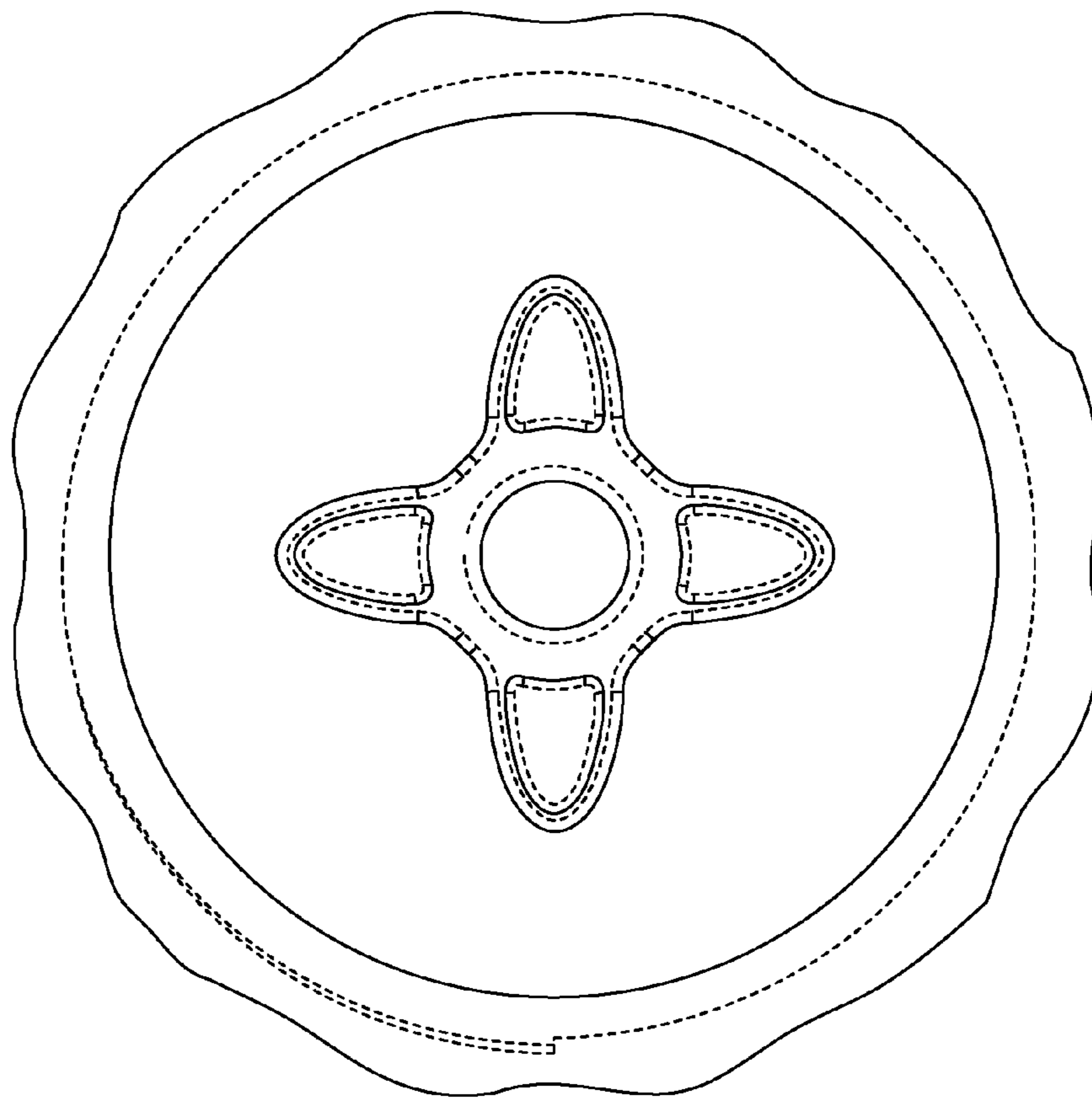


FIG. 4