



US00D654757S

(12) **United States Design Patent**  
**Thimm et al.**

(10) **Patent No.:** **US D654,757 S**

(45) **Date of Patent:** **\*\* Feb. 28, 2012**

(54) **GRILL**

(75) Inventors: **David Thimm**, Plymouth, MI (US);  
**Ellen Tave Glassman**, Closter, NJ (US);  
**Wei (Alex) Liu**, Chicago, IL (US);  
**Craig Fillion**, Naperville, IL (US)

(73) Assignee: **Sears Brands, LLC**, Hoffman Estates, IL (US)

(\*\*) Term: **14 Years**

(21) Appl. No.: **29/385,306**

(22) Filed: **Feb. 11, 2011**

(51) **LOC (9) Cl.** ..... **07-02**

(52) **U.S. Cl.** ..... **D7/334**

(58) **Field of Classification Search** ..... D7/332,  
D7/334-337, 402-406; 126/25 R, 9 R, 41 R,  
126/40, 50, 29, 25 A, 25 AA, 26; 99/446,  
99/447, 450, 482, 339, 340

See application file for complete search history.

(56) **References Cited**

**U.S. PATENT DOCUMENTS**

D433,279 S \* 11/2000 Schlosser et al. .... D7/402  
D455,045 S \* 4/2002 Liao ..... D7/402

D520,298 S \* 5/2006 Huegerich et al. .... D7/402  
D526,842 S \* 8/2006 Chung ..... D7/402  
D581,735 S \* 12/2008 McKenzie ..... D7/402  
2003/0226453 A1 \* 12/2003 Home ..... 99/450  
2009/0165774 A1 \* 7/2009 Johnston et al. .... 126/25 R  
2011/0126820 A1 \* 6/2011 Barkhouse et al. .... 126/25 R

\* cited by examiner

*Primary Examiner* — Ruth McInroy

(74) *Attorney, Agent, or Firm* — Greenberg Traurig, LLP

(57) **CLAIM**

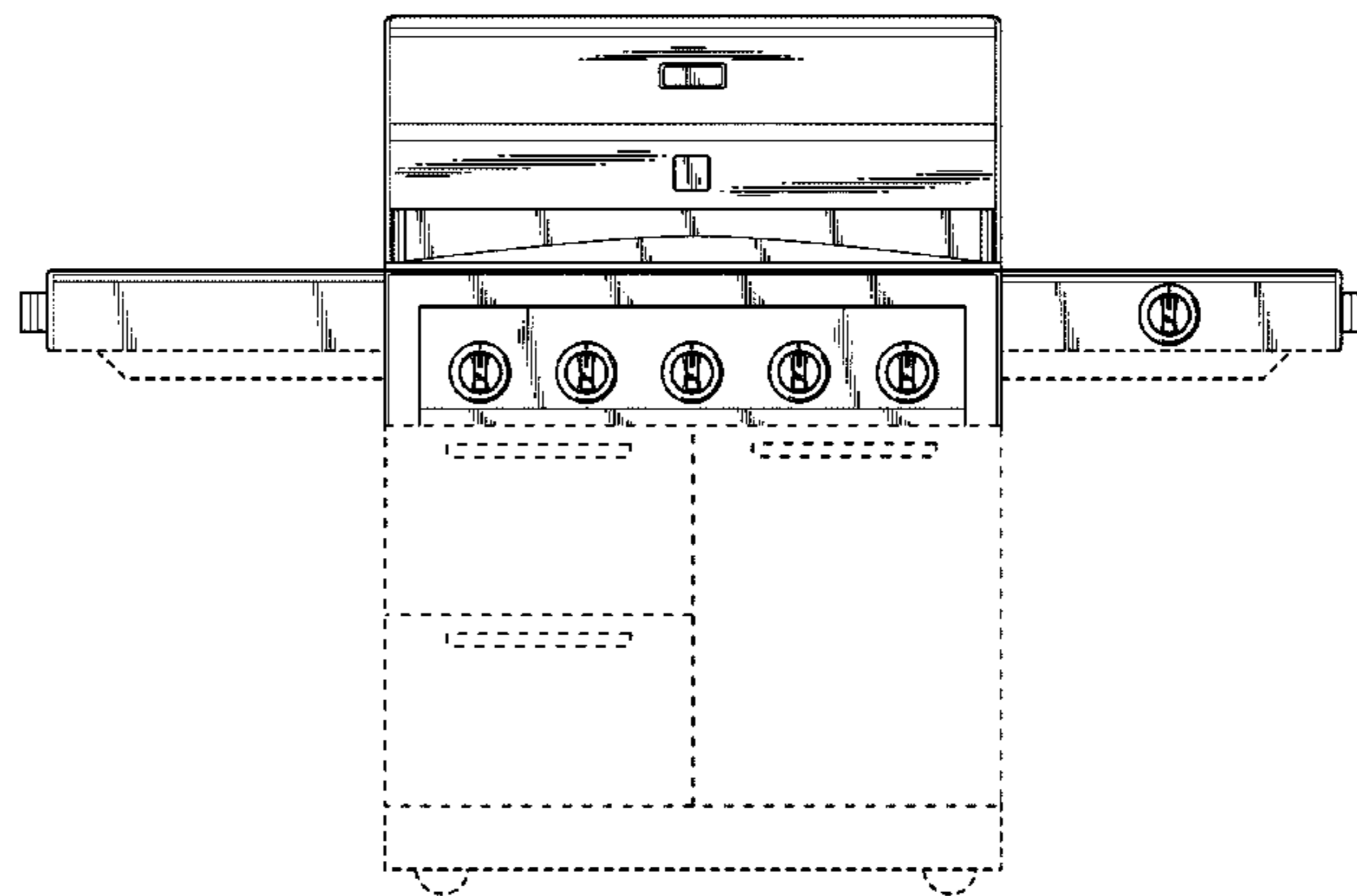
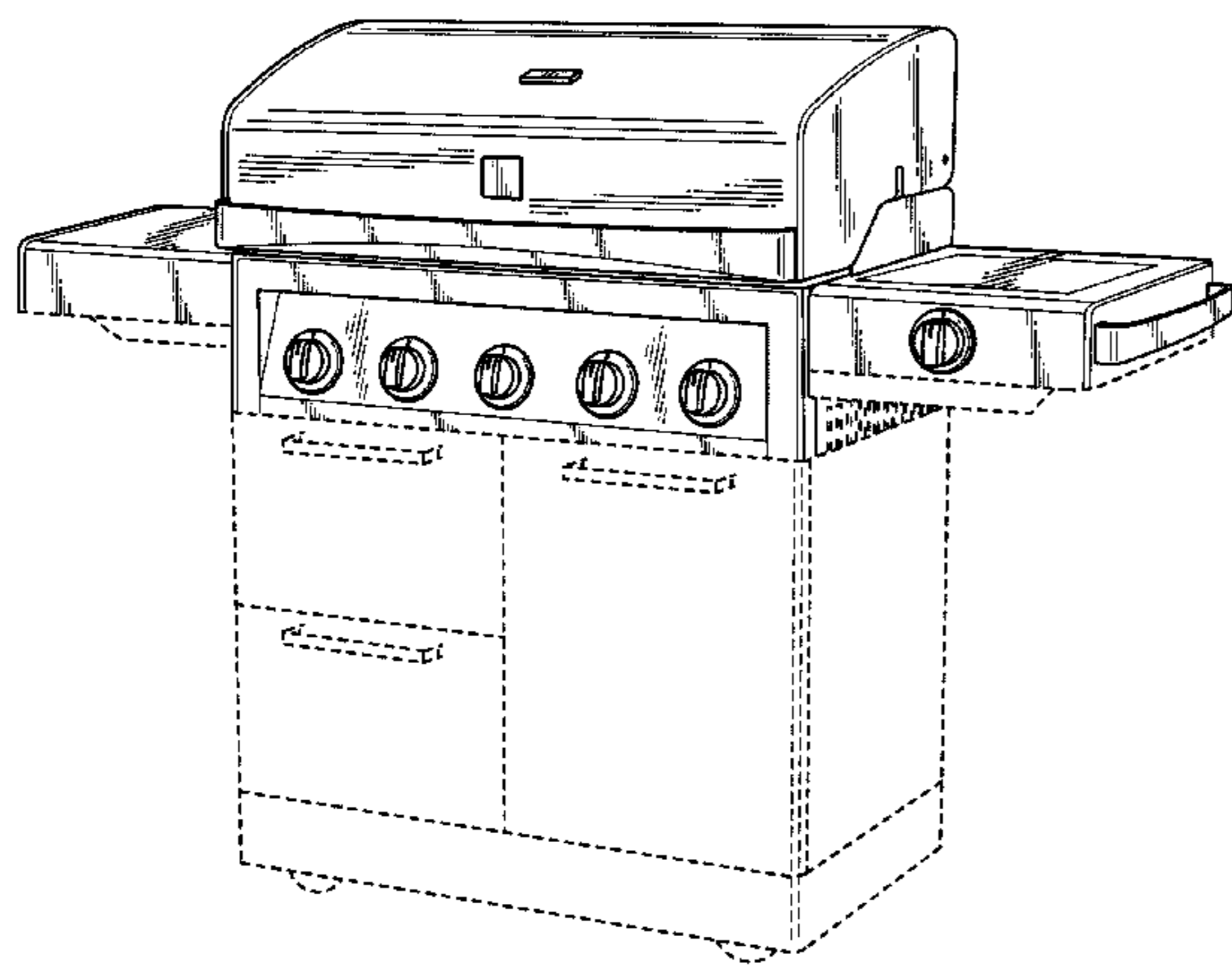
What is claimed is the ornamental design for a grill, as shown and described.

**DESCRIPTION**

FIG. 1 is a perspective view of a grill showing our new design; FIG. 2 is a front elevational view thereof; FIG. 3 is a rear elevational view thereof; FIG. 4 is a right side elevational view thereof; FIG. 5 is a left side elevational view thereof; FIG. 6 is a top plan view thereof; and, FIG. 7 is a bottom plan view thereof.

The elements shown in dotted lines are provided for illustrative purposes only and form no part of the design claimed.

**1 Claim, 5 Drawing Sheets**



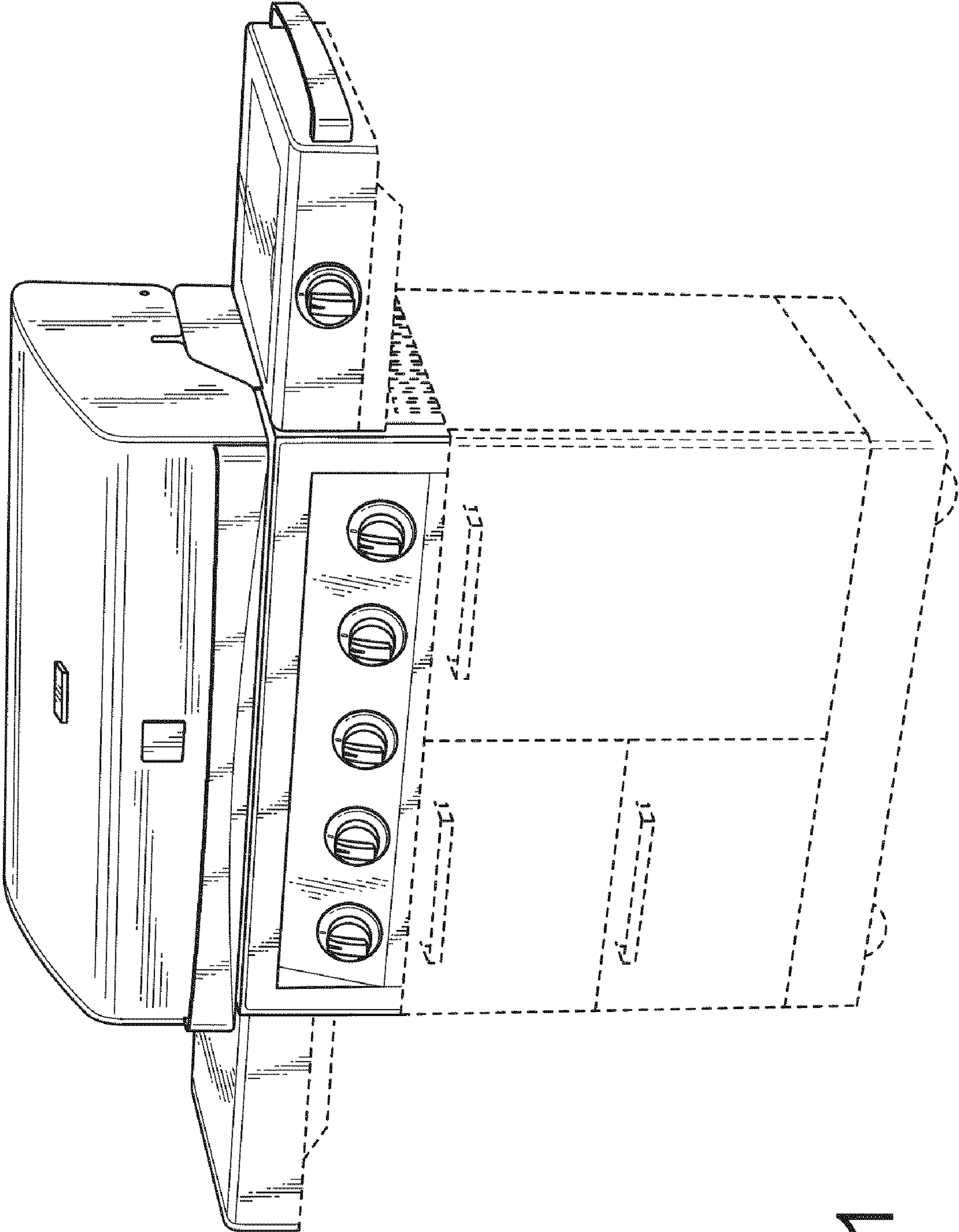


FIG. 1

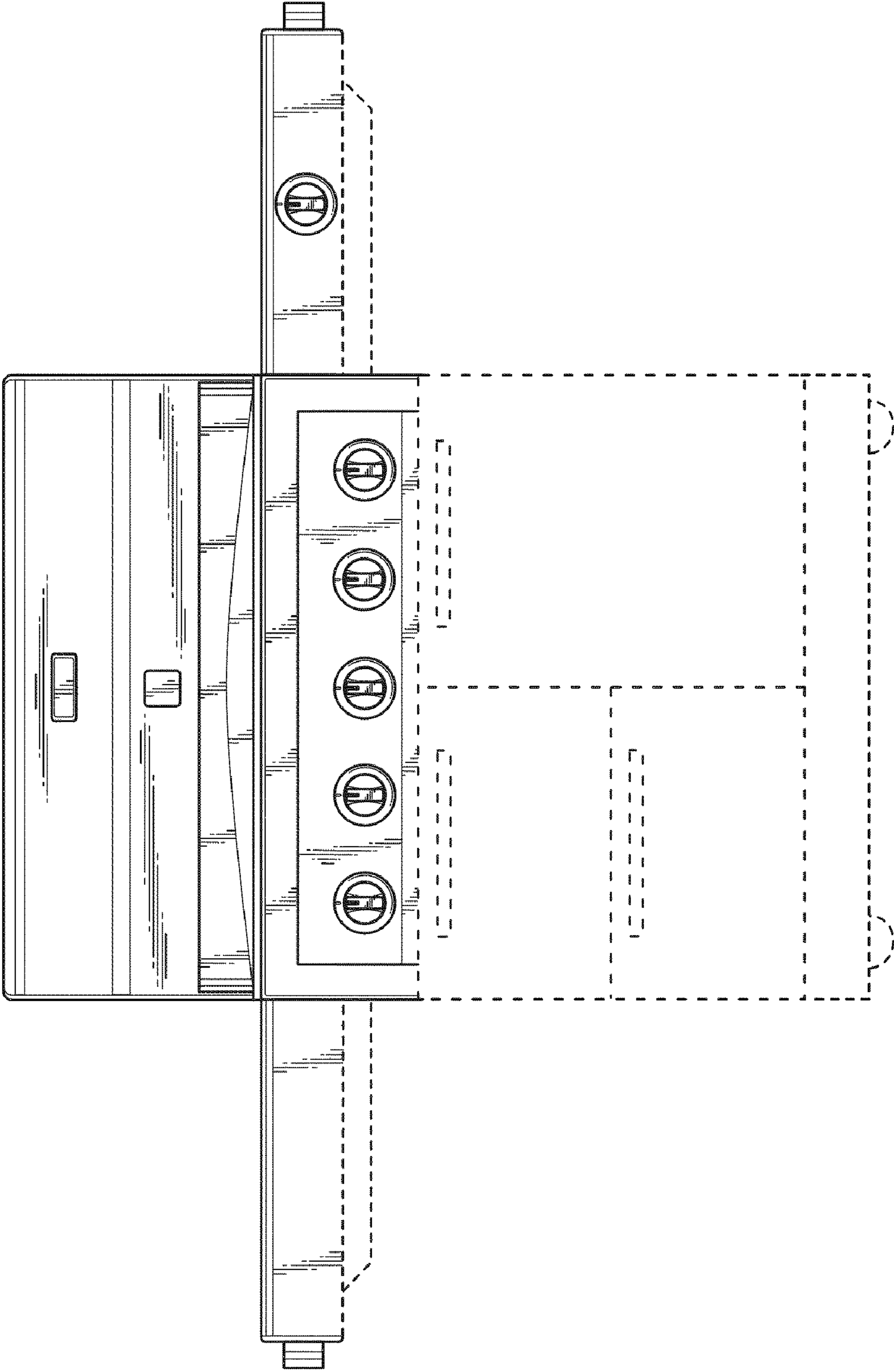


FIG. 2

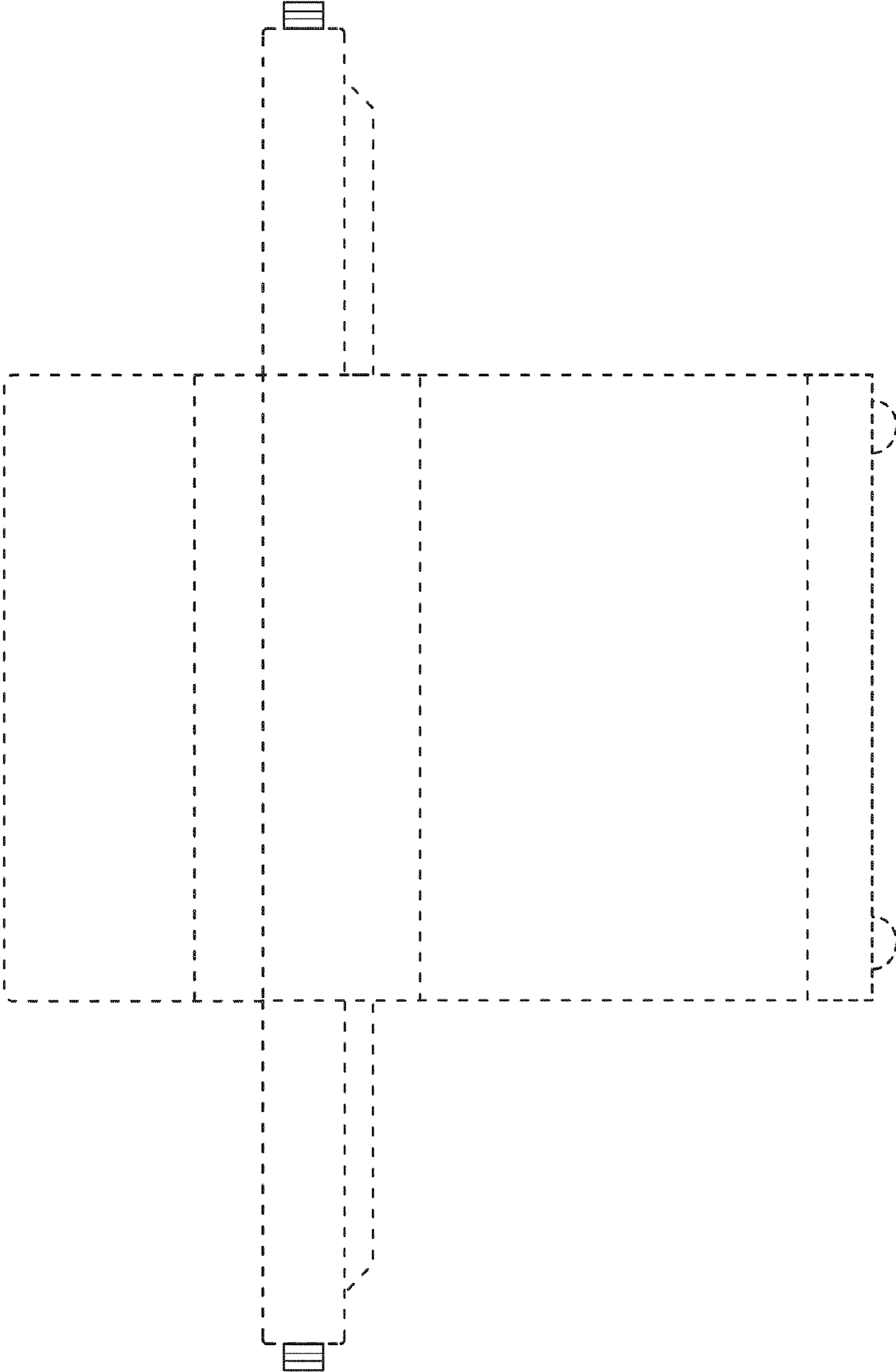


FIG. 3



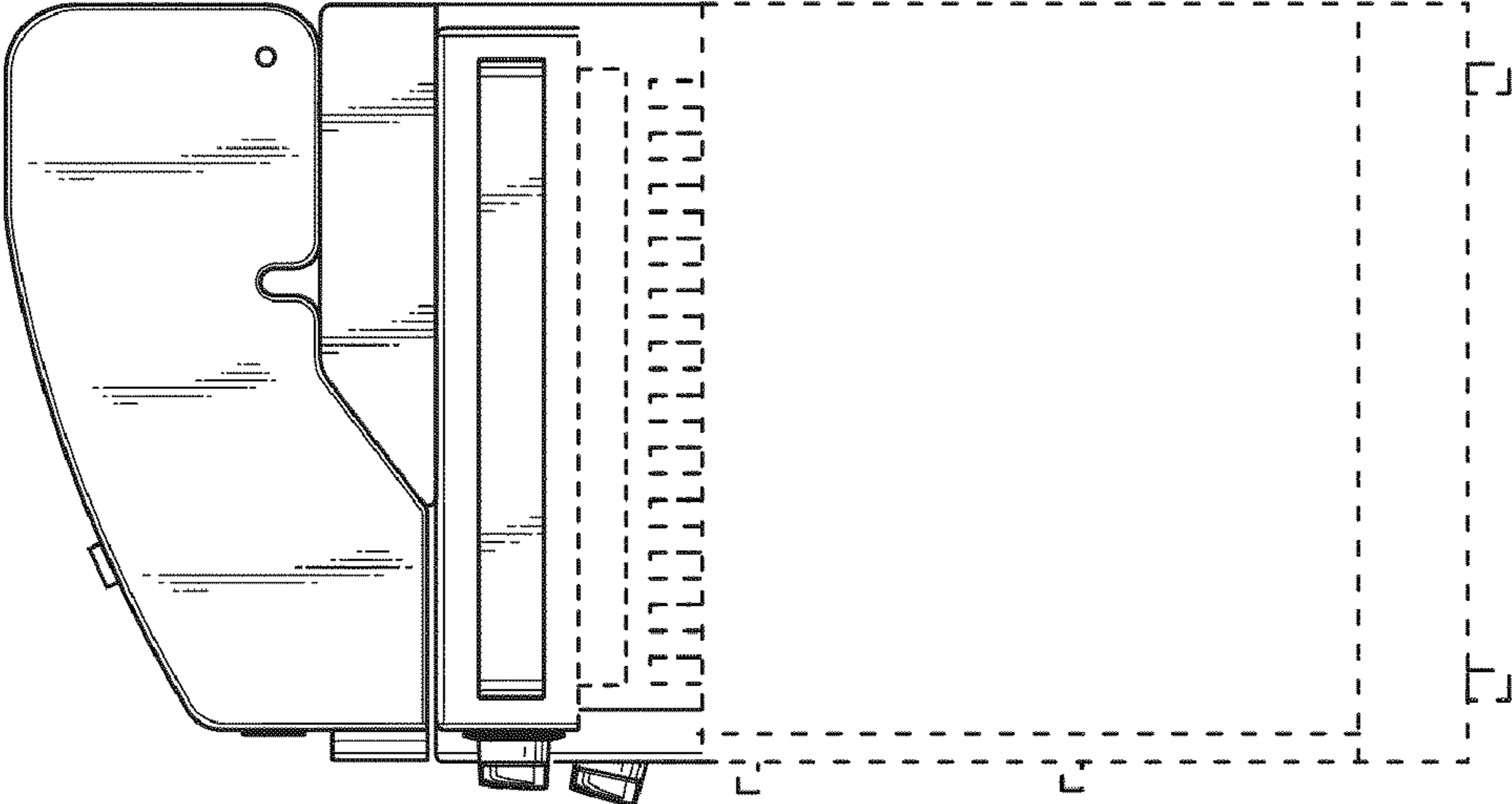


FIG. 4

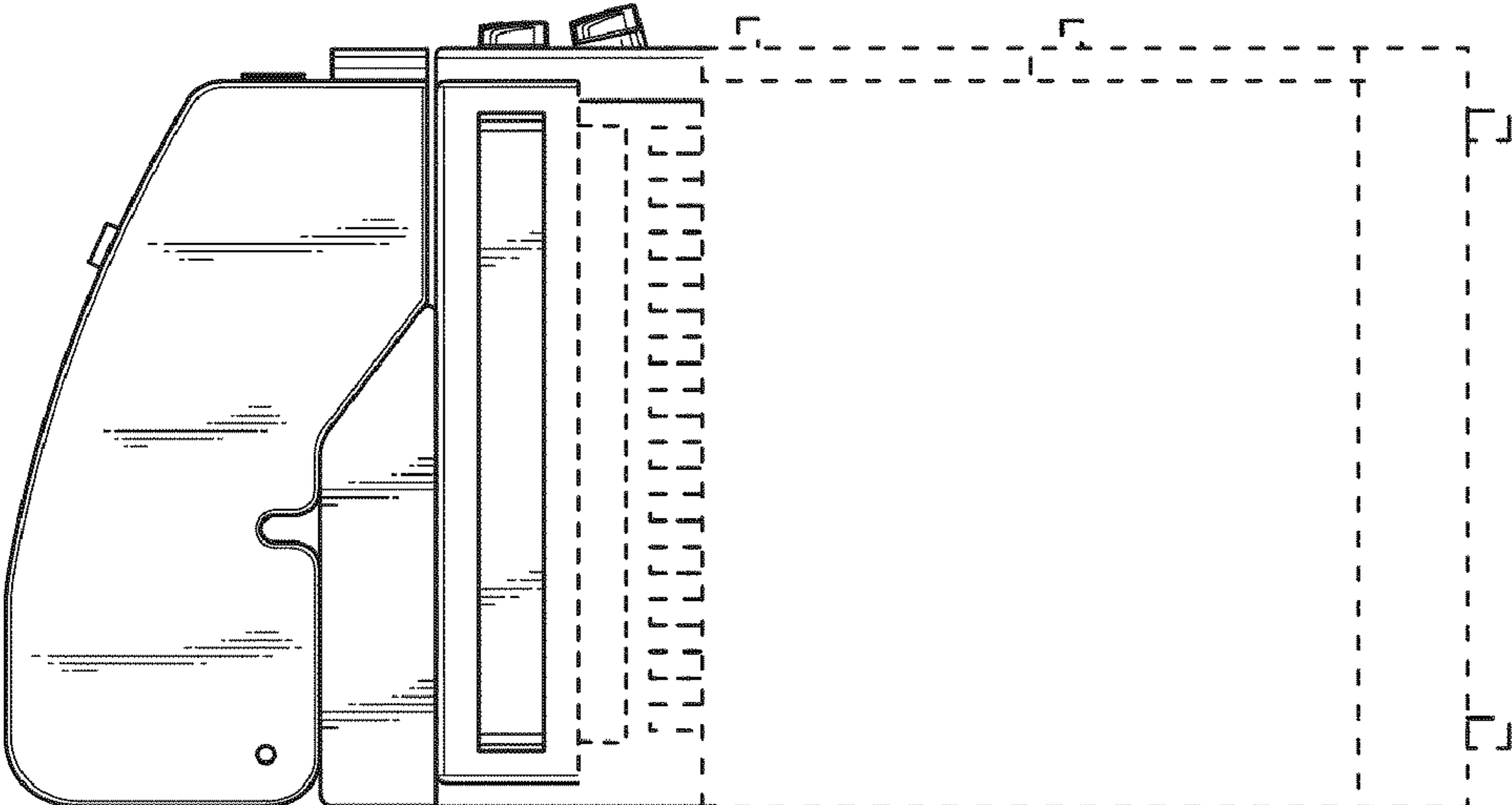


FIG. 5

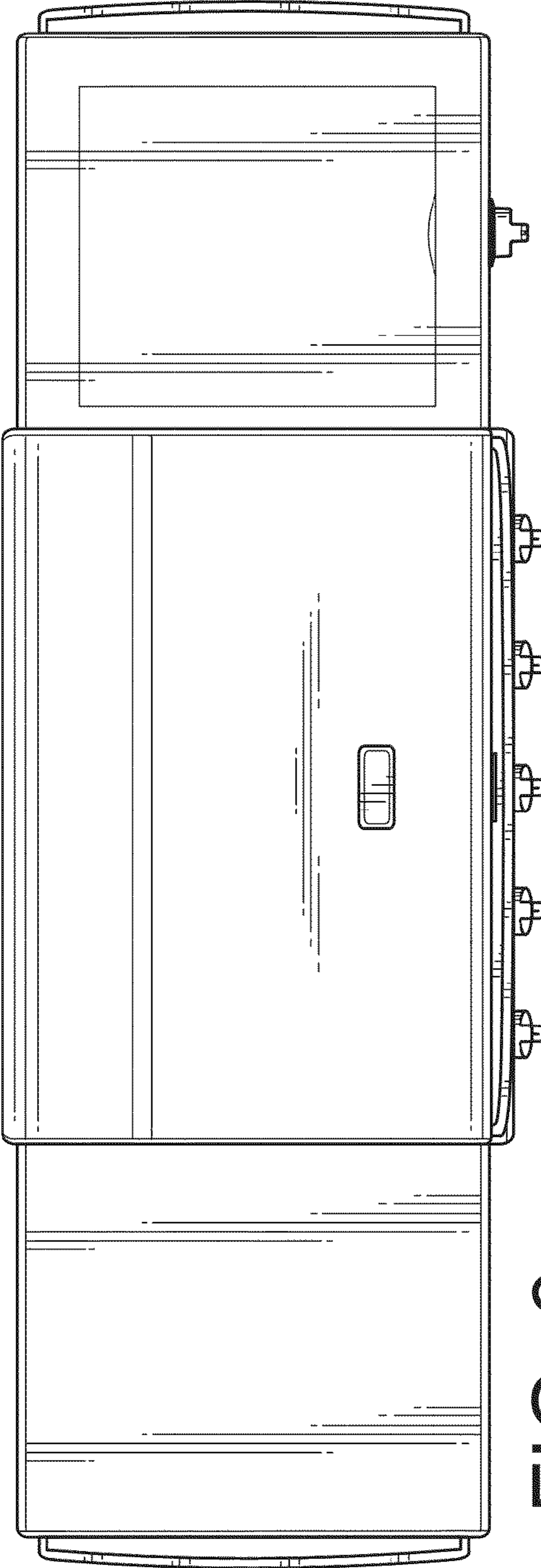


FIG. 6

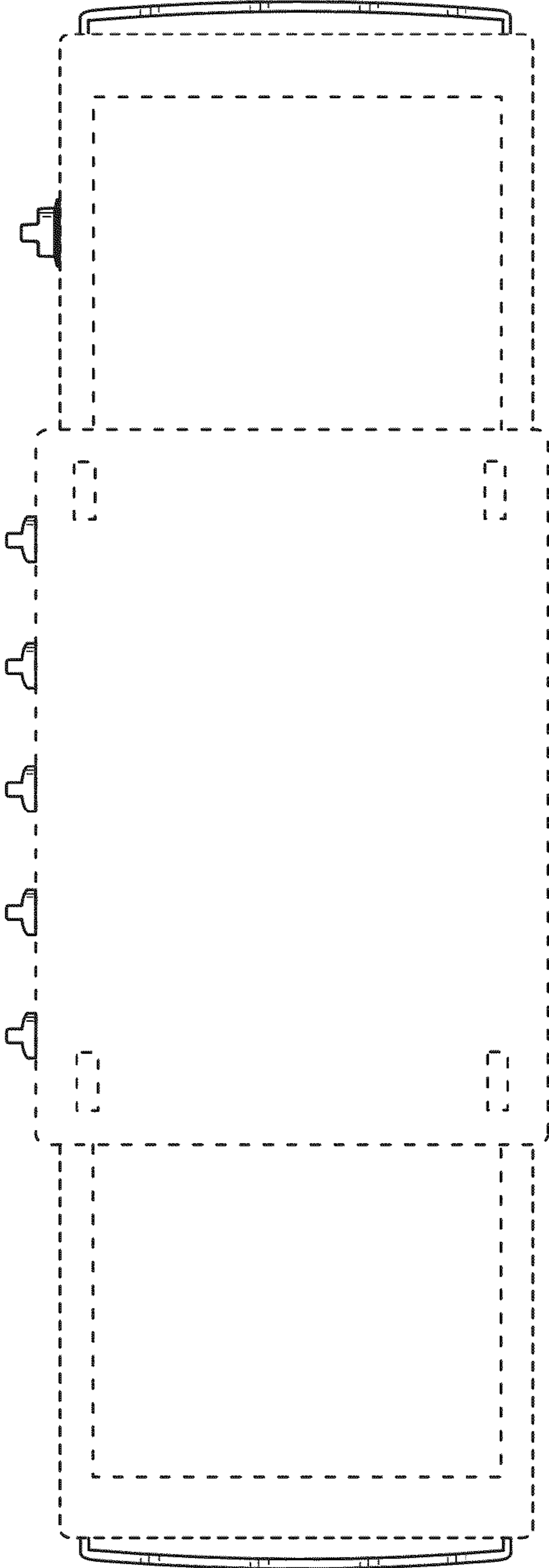


FIG. 7