



US00D654756S

(12) **United States Design Patent**
Bodum

(10) **Patent No.:** **US D654,756 S**

(45) **Date of Patent:** **** Feb. 28, 2012**

(54) **COFFEE MAKER**

(75) Inventor: **Jørgen Bodum**, Meggen (CH)

(73) Assignee: **PI-Design AG**, Triengen (CH)

(**) Term: **14 Years**

(21) Appl. No.: **29/378,764**

(22) Filed: **Nov. 9, 2010**

(30) **Foreign Application Priority Data**

Jun. 24, 2010 (WO) 553 575 701

(51) **LOC (9) Cl.** **07-01**

(52) **U.S. Cl.** **D7/319; D7/317**

(58) **Field of Classification Search** D7/318,
D7/317, 316, 319; 222/129.1, 146.6

See application file for complete search history.

(56) **References Cited**

U.S. PATENT DOCUMENTS

| | | | | | | |
|----------|---|---|---------|------------|-------|--------|
| D343,333 | S | * | 1/1994 | Jorgensen | | D7/317 |
| D343,760 | S | * | 2/1994 | Lin | | D7/318 |
| D377,132 | S | * | 1/1997 | Jørgensen | | D7/318 |
| D384,539 | S | * | 10/1997 | Joergensen | | D7/318 |
| D384,540 | S | * | 10/1997 | Joergensen | | D7/319 |
| D388,275 | S | * | 12/1997 | Joergensen | | D7/319 |

| | | | | | | |
|----------|---|---|--------|----------|-------|--------|
| D405,642 | S | * | 2/1999 | Toriba | | D7/319 |
| D559,028 | S | * | 1/2008 | Appleton | | D7/317 |
| D560,951 | S | * | 2/2008 | Appleton | | D7/317 |
| D566,454 | S | * | 4/2008 | Bodum | | D7/319 |
| D567,006 | S | * | 4/2008 | Bodum | | D7/319 |
| D594,267 | S | * | 6/2009 | Bodum | | D7/319 |
| D612,660 | S | * | 3/2010 | Bodum | | D7/319 |
| D645,290 | S | * | 9/2011 | Bodum | | D7/319 |

OTHER PUBLICATIONS

Excerpt from Bodum catalogue 2010, pp. 4 to 45 (Jan. 2010).

* cited by examiner

Primary Examiner — Marianne Pandozzi

(74) *Attorney, Agent, or Firm* — Sughrue Mion, PLLC

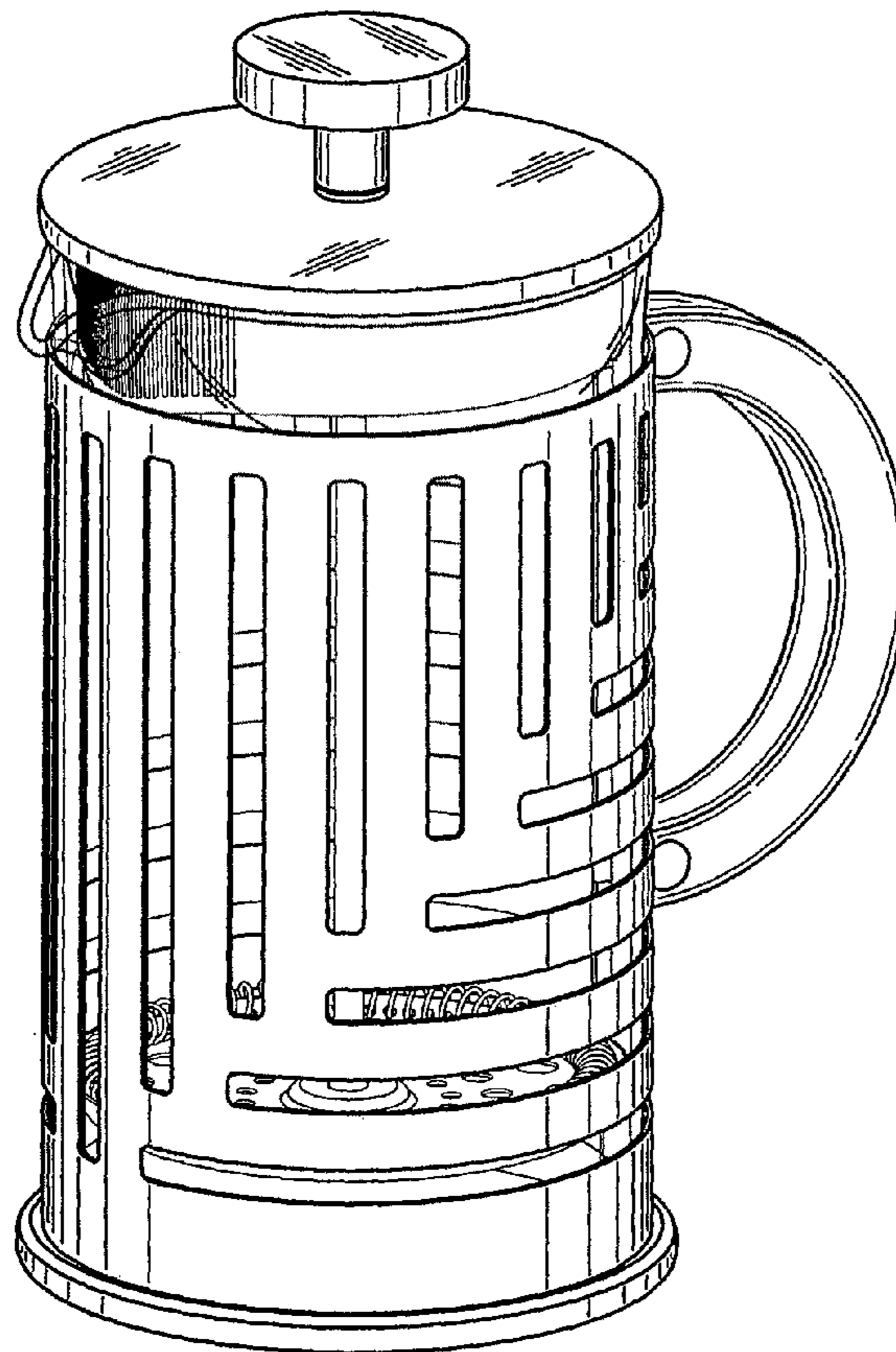
(57) **CLAIM**

The ornamental design for a coffee maker, as shown and described.

DESCRIPTION

FIG. 1 is a perspective view of the coffee maker;
FIG. 2 is a right side elevation view of the coffee maker;
FIG. 3 is a left side elevation view of the coffee maker;
FIG. 4 is a front side elevation view of the coffee maker;
FIG. 5 is a back side elevation view of the coffee maker;
FIG. 6 is a top view of the coffee maker;
FIG. 7 is a bottom view of the coffee maker; and,
FIG. 8 is an exploded perspective view thereof.

1 Claim, 8 Drawing Sheets



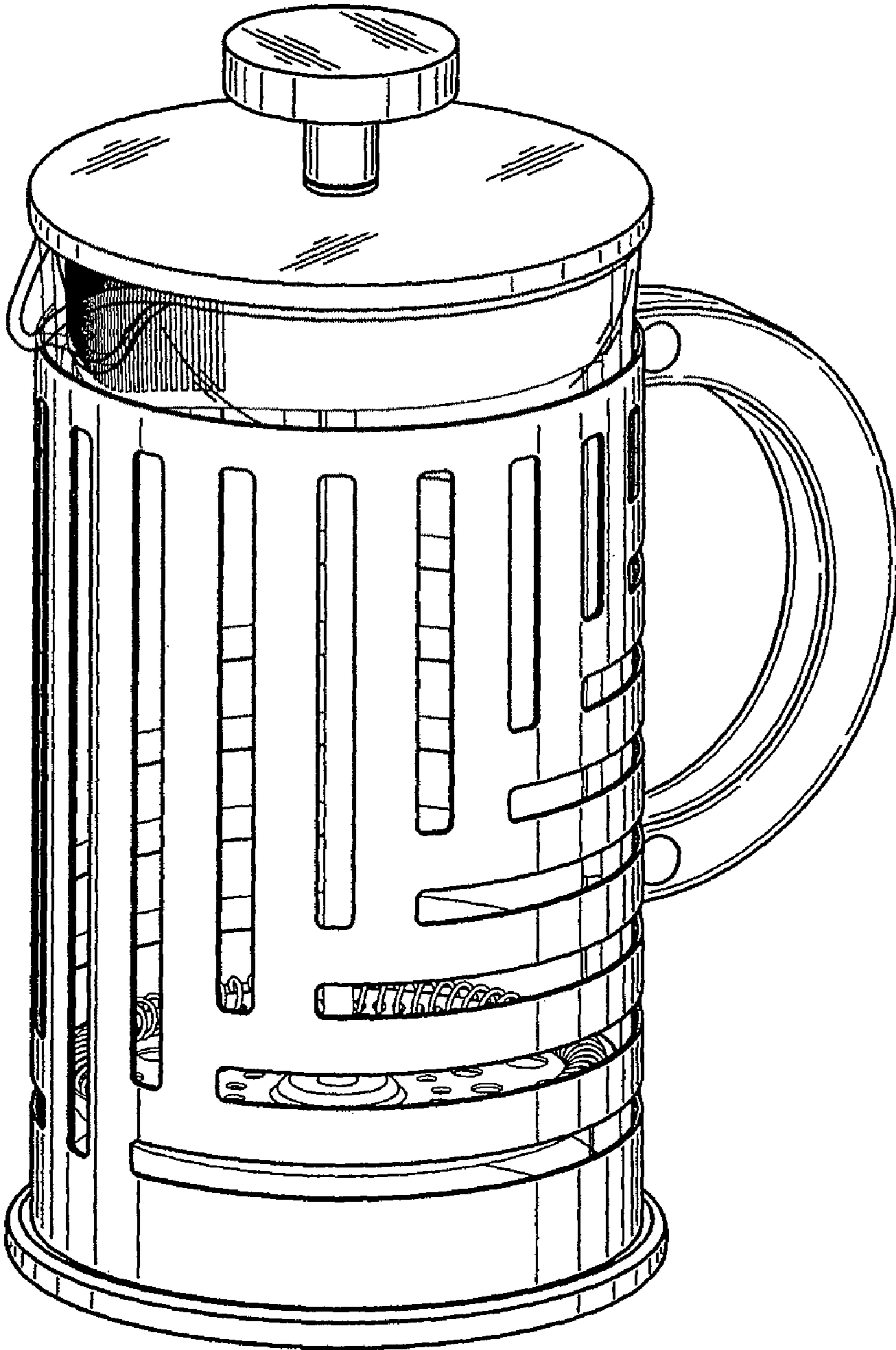


FIGURE 1

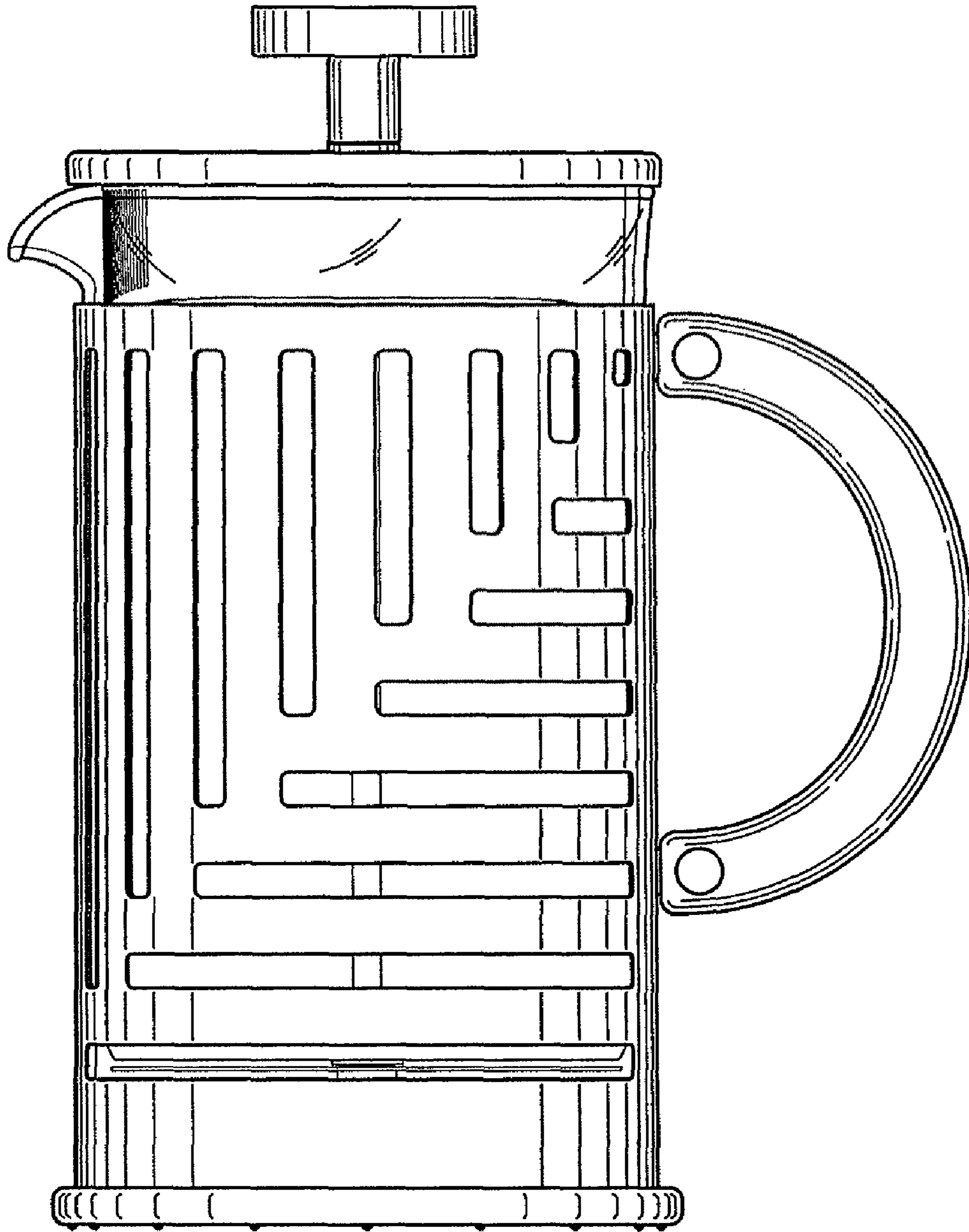


FIGURE 2

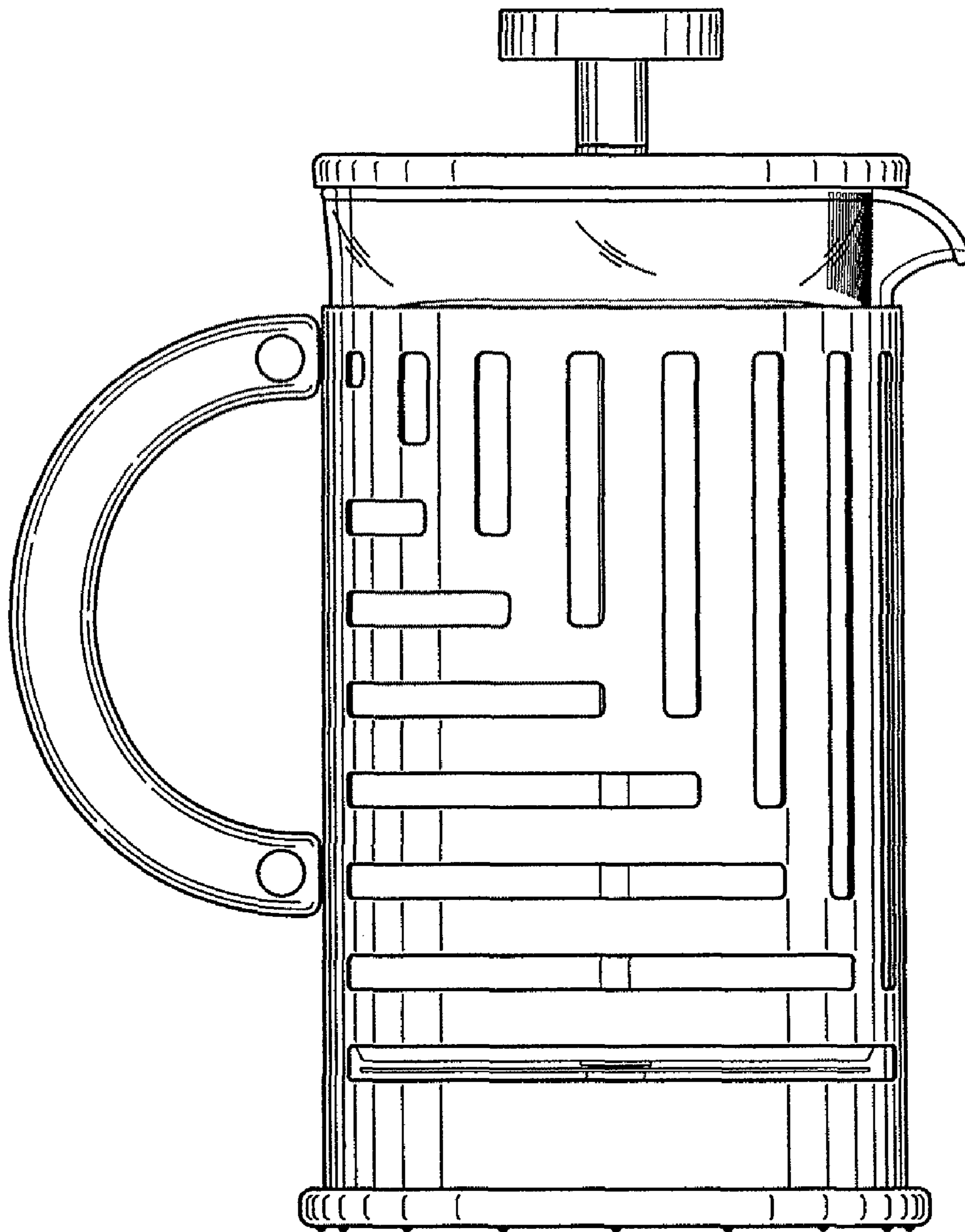


FIGURE 3

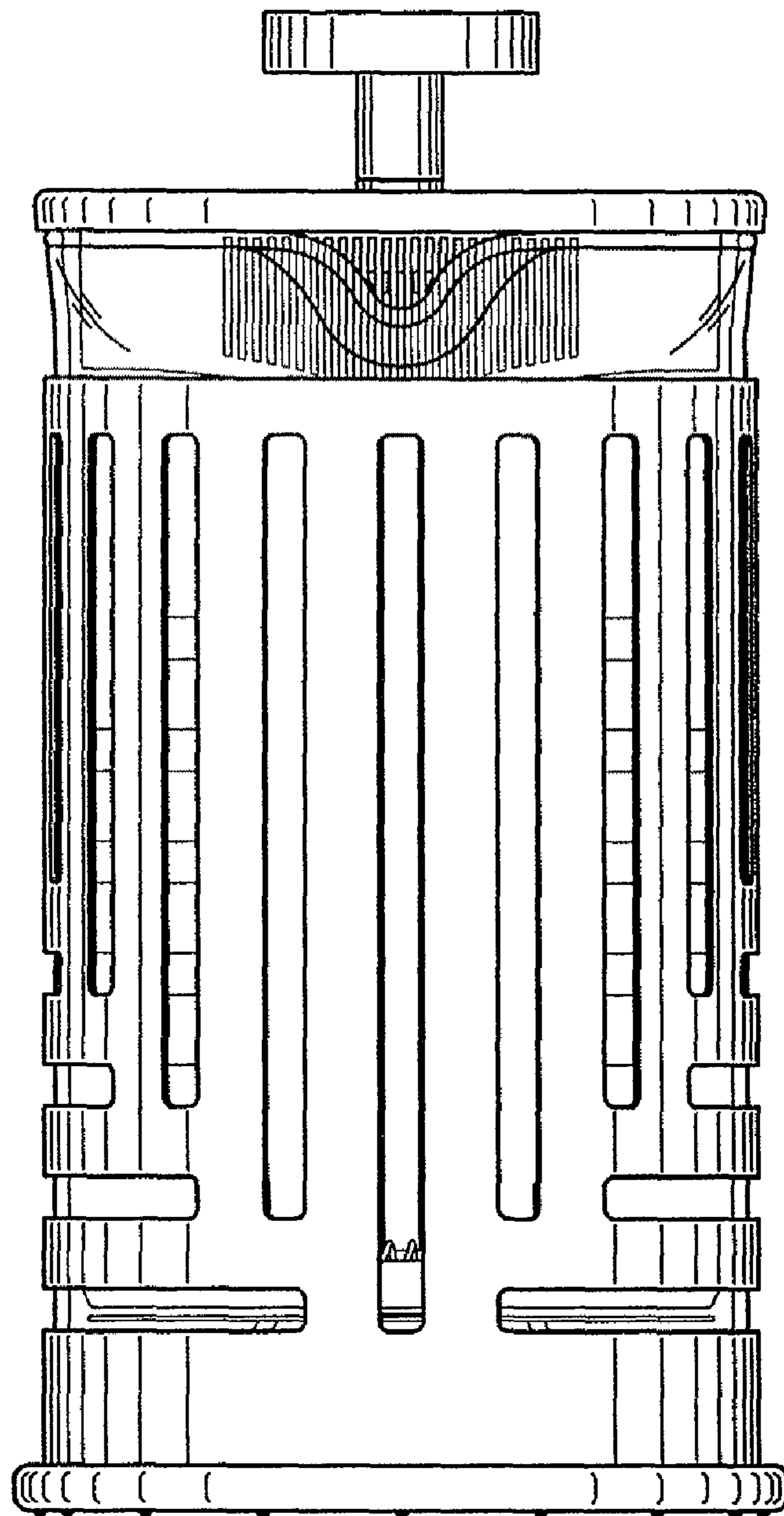


FIGURE 4

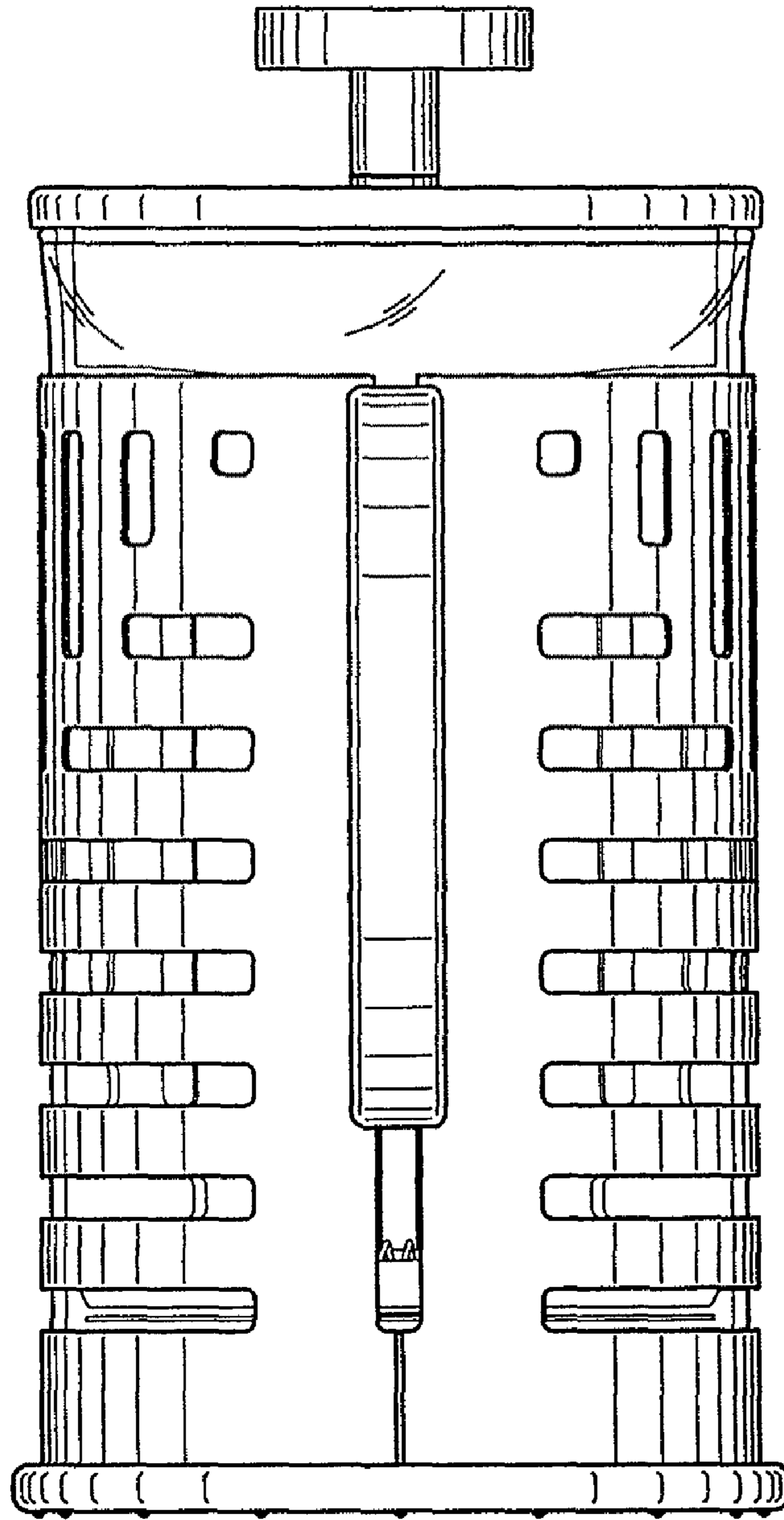


FIGURE 5

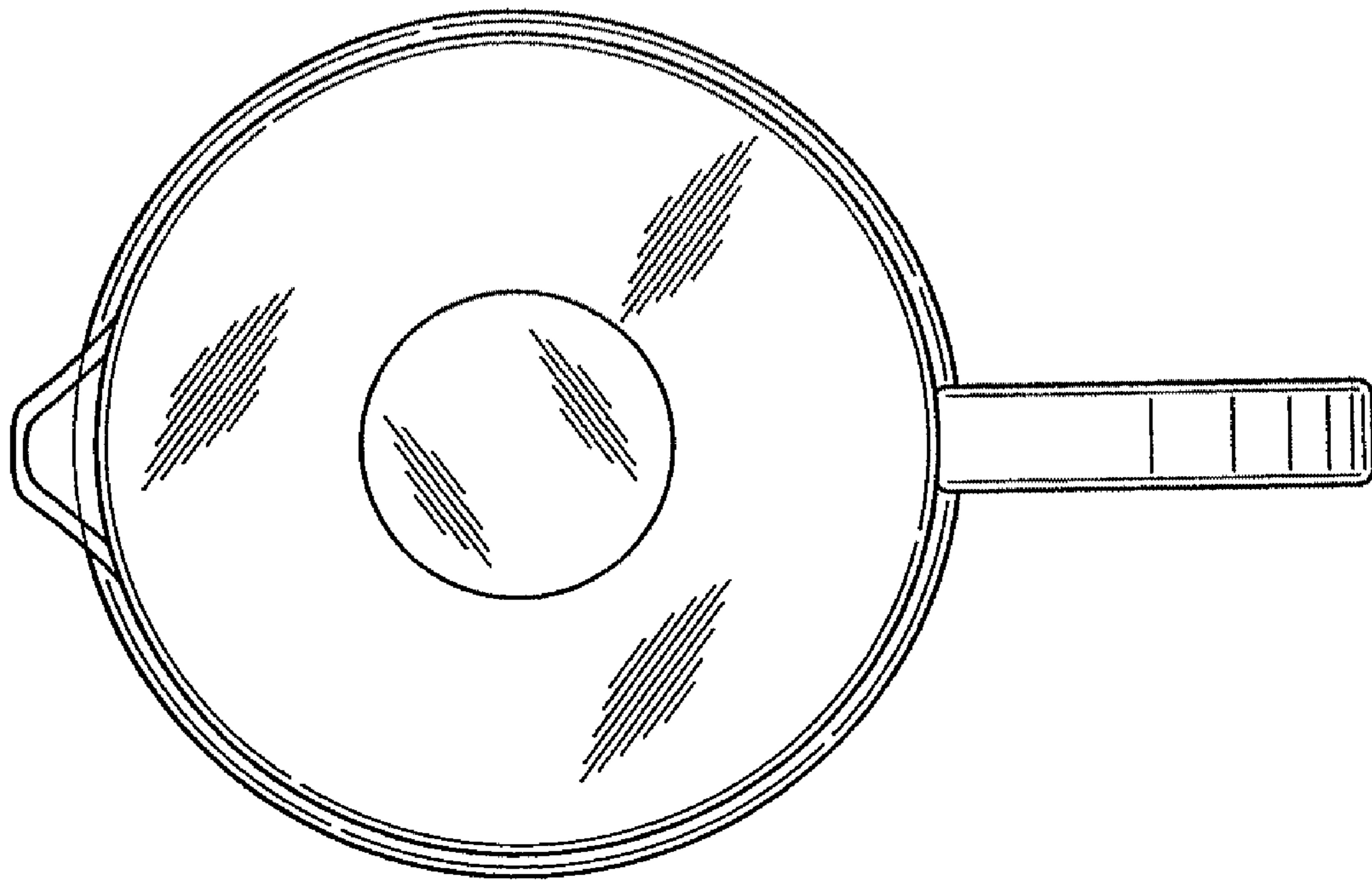


FIGURE 6

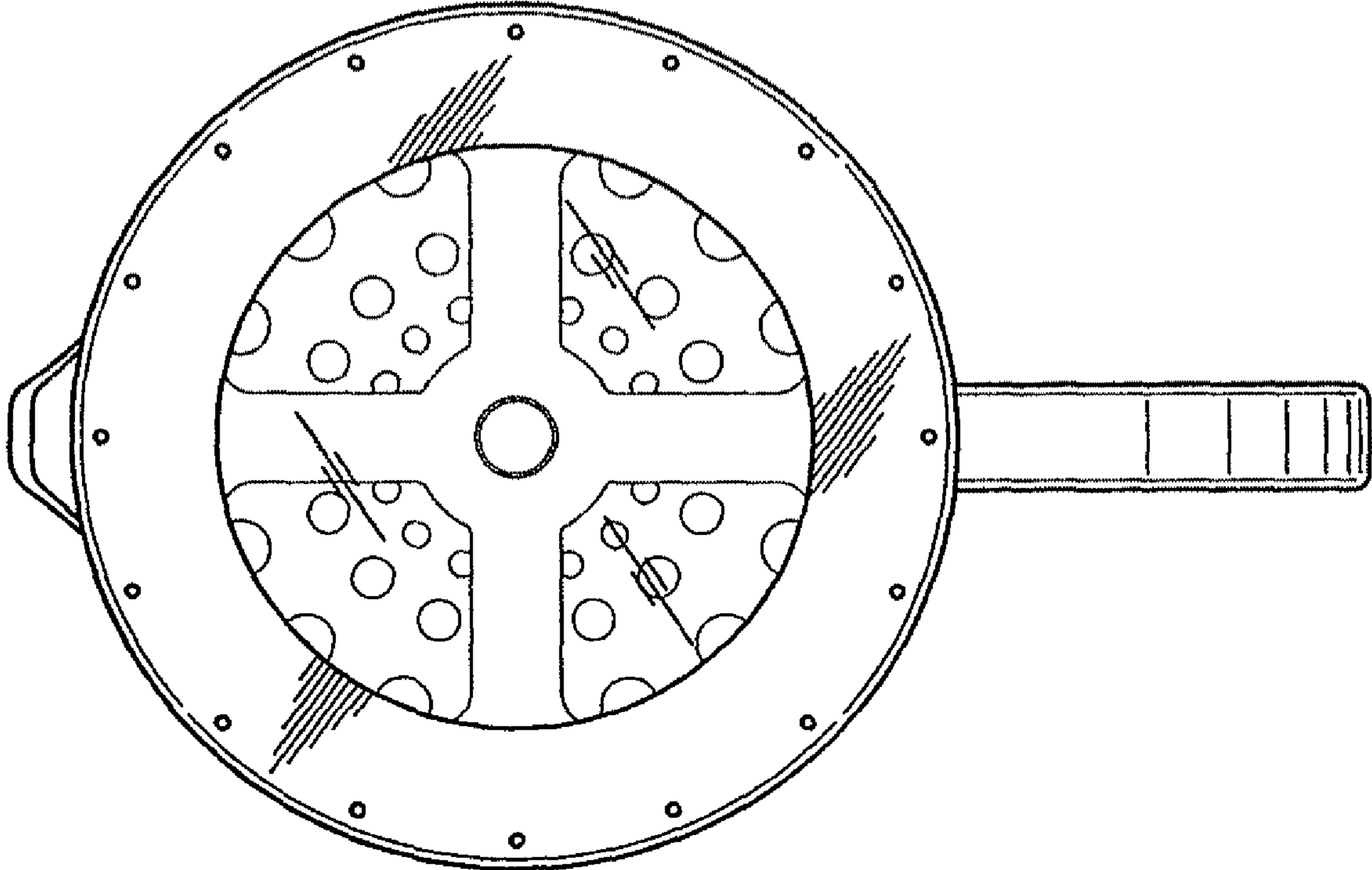


FIGURE 7

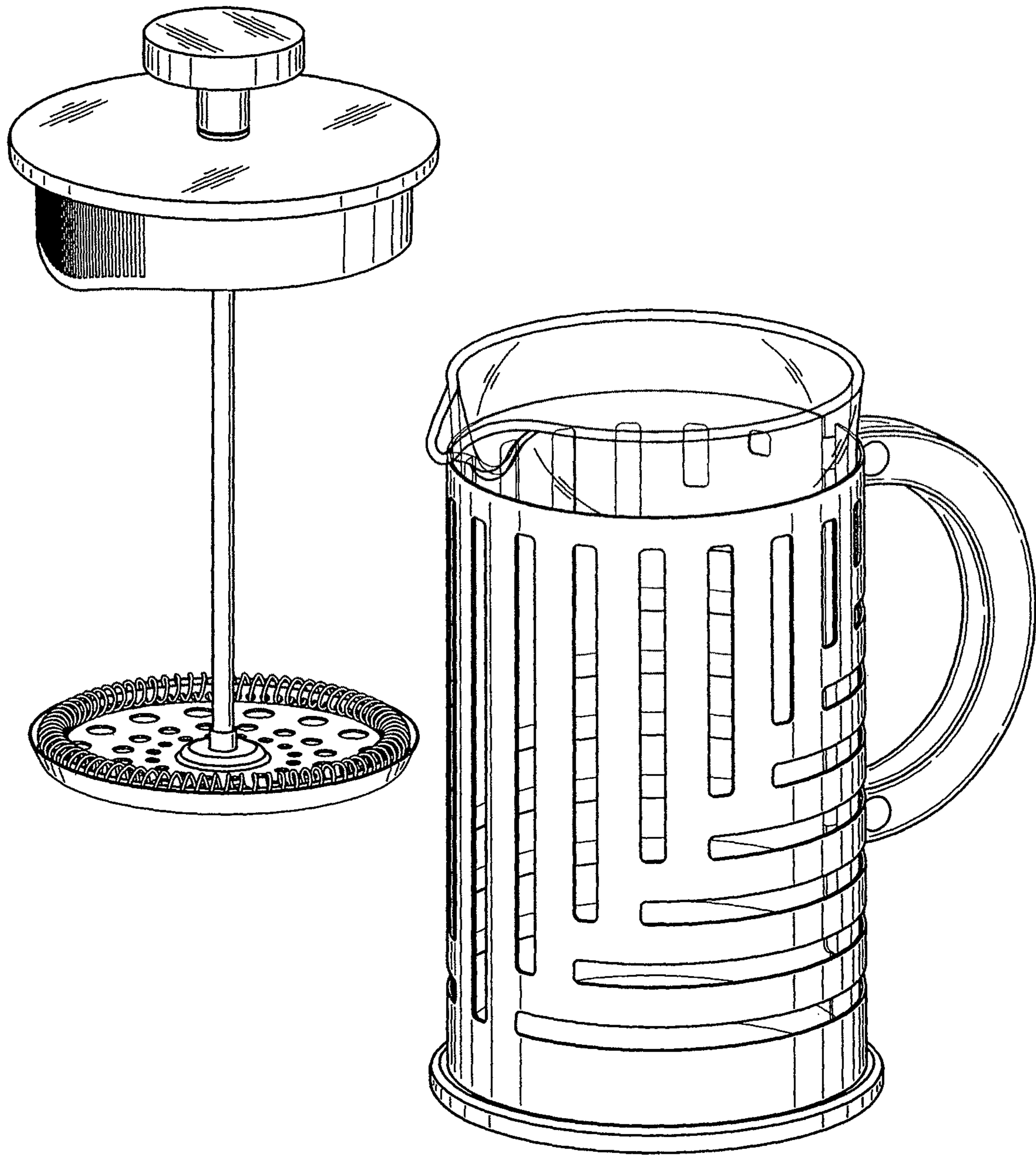


FIGURE 8