



US00D654752S

(12) **United States Design Patent**  
**Krasner**

(10) **Patent No.:** **US D654,752 S**  
(45) **Date of Patent:** **\*\* Feb. 28, 2012**

(54) **PET WATER BOTTLE**

(76) Inventor: **Mark Krasner**, Marietta, GA (US)

(\*\*) Term: **14 Years**

(21) Appl. No.: **29/364,328**

(22) Filed: **Jun. 22, 2010**

D291,523 S *	8/1987	Minuti .....	D7/300.1
D304,551 S *	11/1989	Desgrippes .....	D9/556
5,409,151 A	4/1995	Freimark	
D480,590 S *	10/2003	Linz et al. ....	D7/300.1
D483,982 S *	12/2003	Irvine .....	D7/300.1
6,913,165 B2 *	7/2005	Linz et al. ....	220/568
D576,495 S *	9/2008	Slubski .....	D9/537
D611,819 S *	3/2010	Slubski .....	D9/516
D623,460 S *	9/2010	Krasner .....	D7/300.1
D641,631 S *	7/2011	Kawahara et al. ....	D9/503
2005/0184113 A1	8/2005	Capritta	

**Related U.S. Application Data**

(63) Continuation-in-part of application No. 29/352,144, filed on Dec. 17, 2009, now Pat. No. Des. 623,460.

(51) **LOC (9) Cl.** ..... **07-01**

(52) **U.S. Cl.** ..... **D7/300.1; D7/510; D7/511; D7/523; D30/132**

(58) **Field of Classification Search** ..... D7/510, D7/511, 300.1, 523, 509; 220/592.16, 592.17, 220/703, 705, 212; D9/516, 434, 505, 503, D9/520; D30/132; 99/508

See application file for complete search history.

(56) **References Cited**

**U.S. PATENT DOCUMENTS**

324,173 A *	8/1885	Seips .....	220/568
1,568,691 A *	1/1926	Pierson .....	99/508
1,740,223 A *	12/1929	Burvenick .....	220/568
1,744,328 A *	1/1930	Morley .....	215/383
1,748,483 A *	2/1930	Hyde .....	99/508
1,765,129 A *	6/1930	Cooke .....	220/568
2,013,615 A *	9/1935	Fontan .....	220/568
2,090,998 A *	8/1937	Gessler .....	40/324
2,500,611 A *	3/1950	Kereluck .....	99/508

**OTHER PUBLICATIONS**

International Search Report; Korean Intellectual Property Office; 8 pages; Application Serial No. PCT/US2010/038510; dated Feb. 24, 2011.

\* cited by examiner

*Primary Examiner* — Marianne Pandozzi

(74) *Attorney, Agent, or Firm* — Gardner Groff Greenwald & Villanueva, PC.

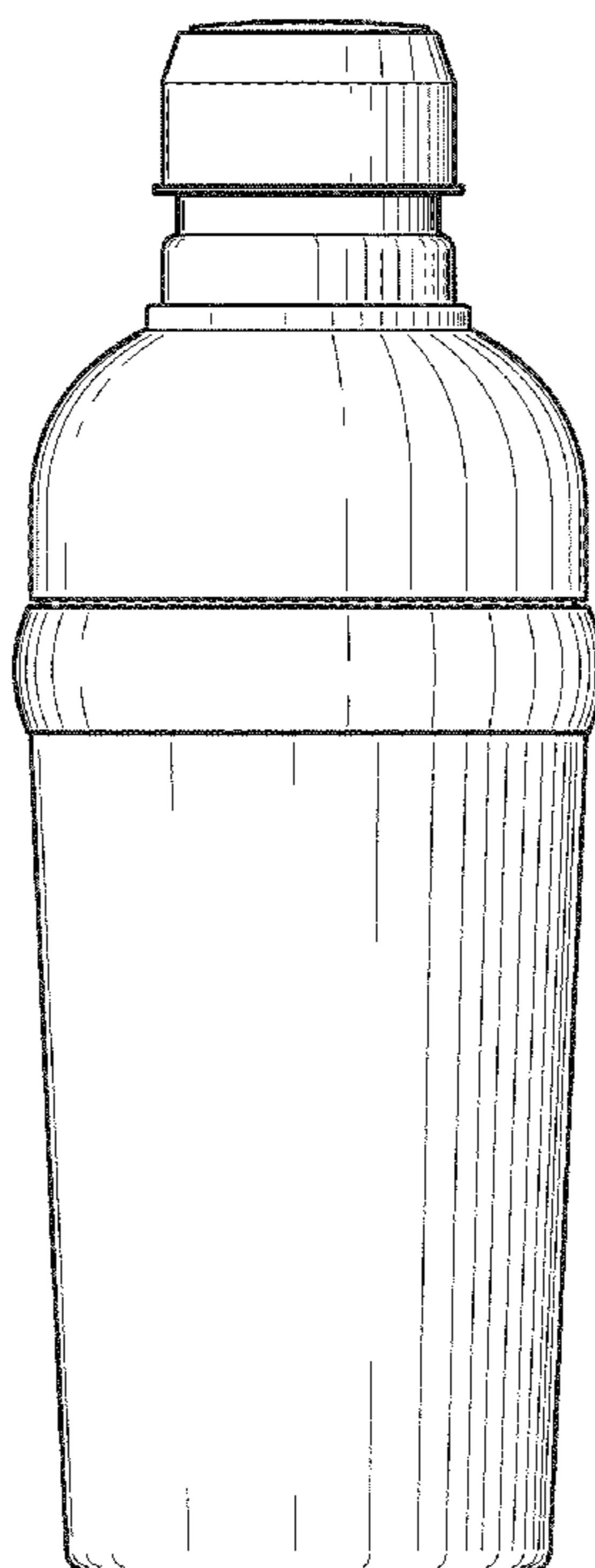
(57) **CLAIM**

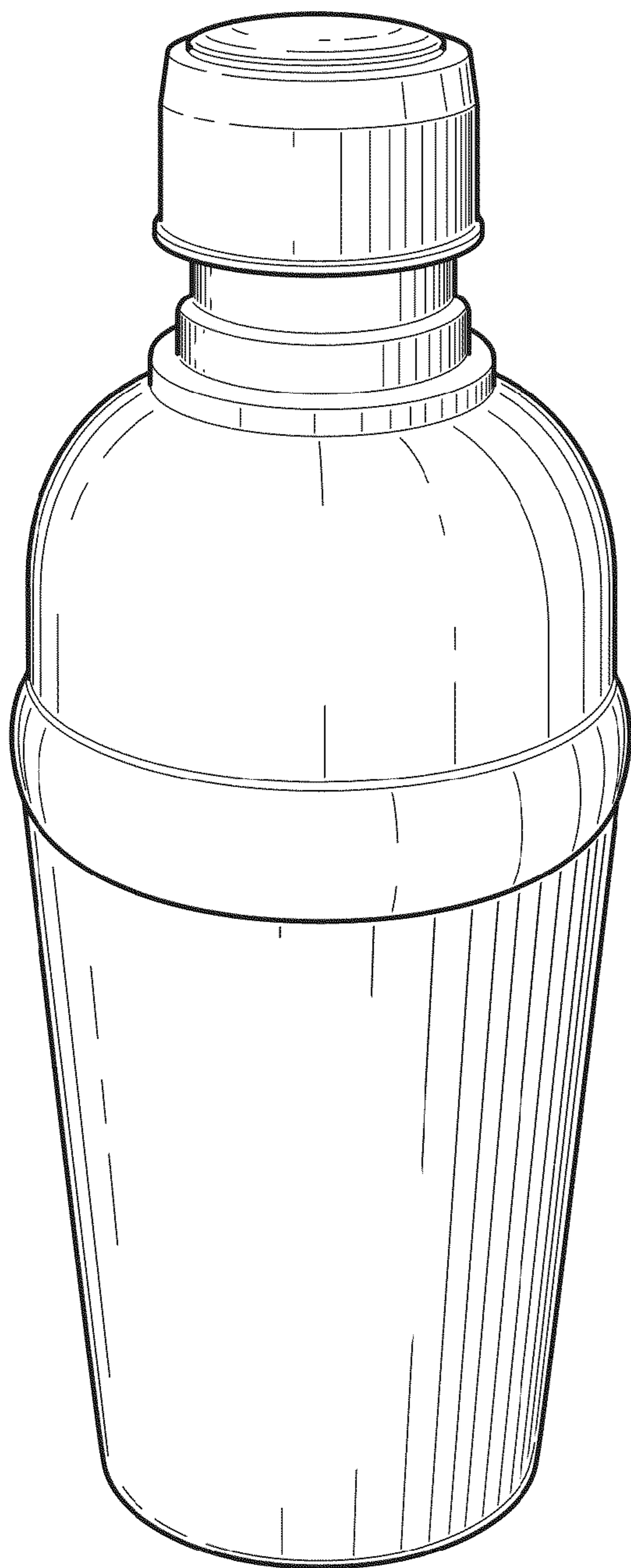
The ornamental design for a pet water bottle, as shown and described.

**DESCRIPTION**

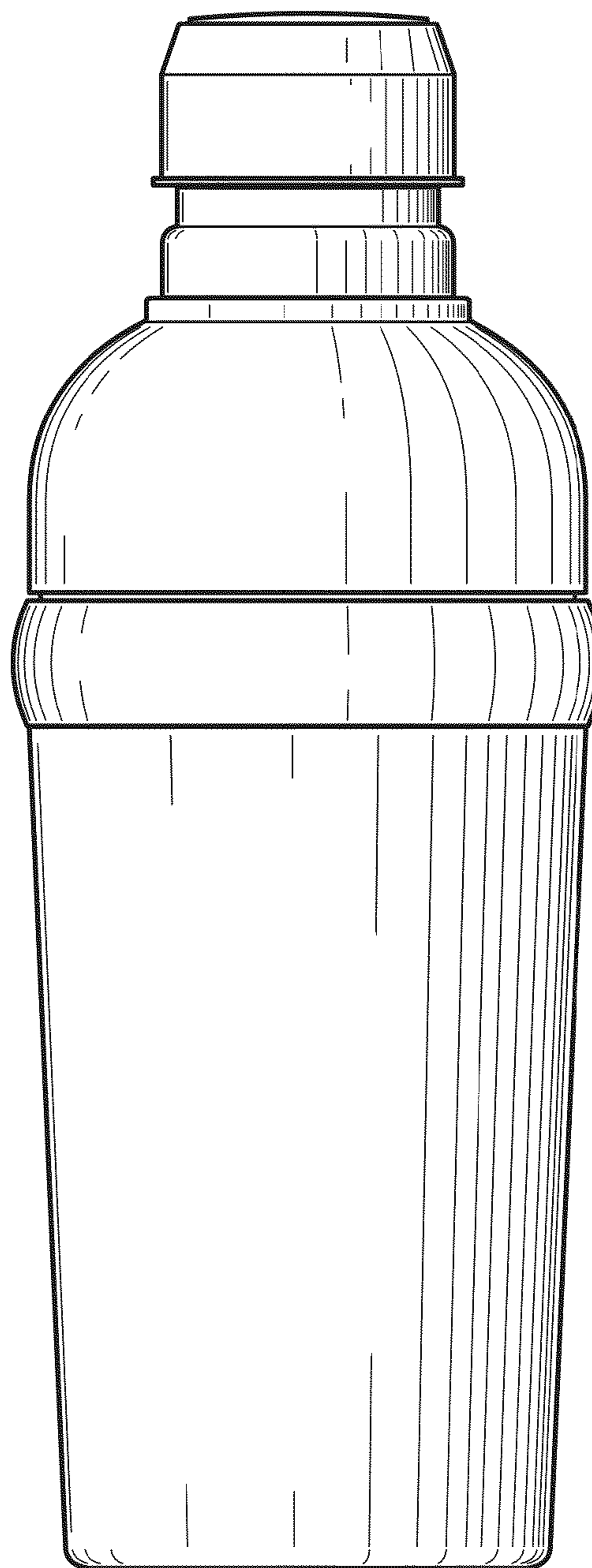
FIG. 1 is a perspective view of a pet water bottle showing my new design;  
FIG. 2 is a front elevational view thereof, all sides being the same;  
FIG. 3 is a top view of the pet water bottle of FIG. 1; and,  
FIG. 4 is a bottom view of the pet water bottle of FIG. 1.

**1 Claim, 2 Drawing Sheets**

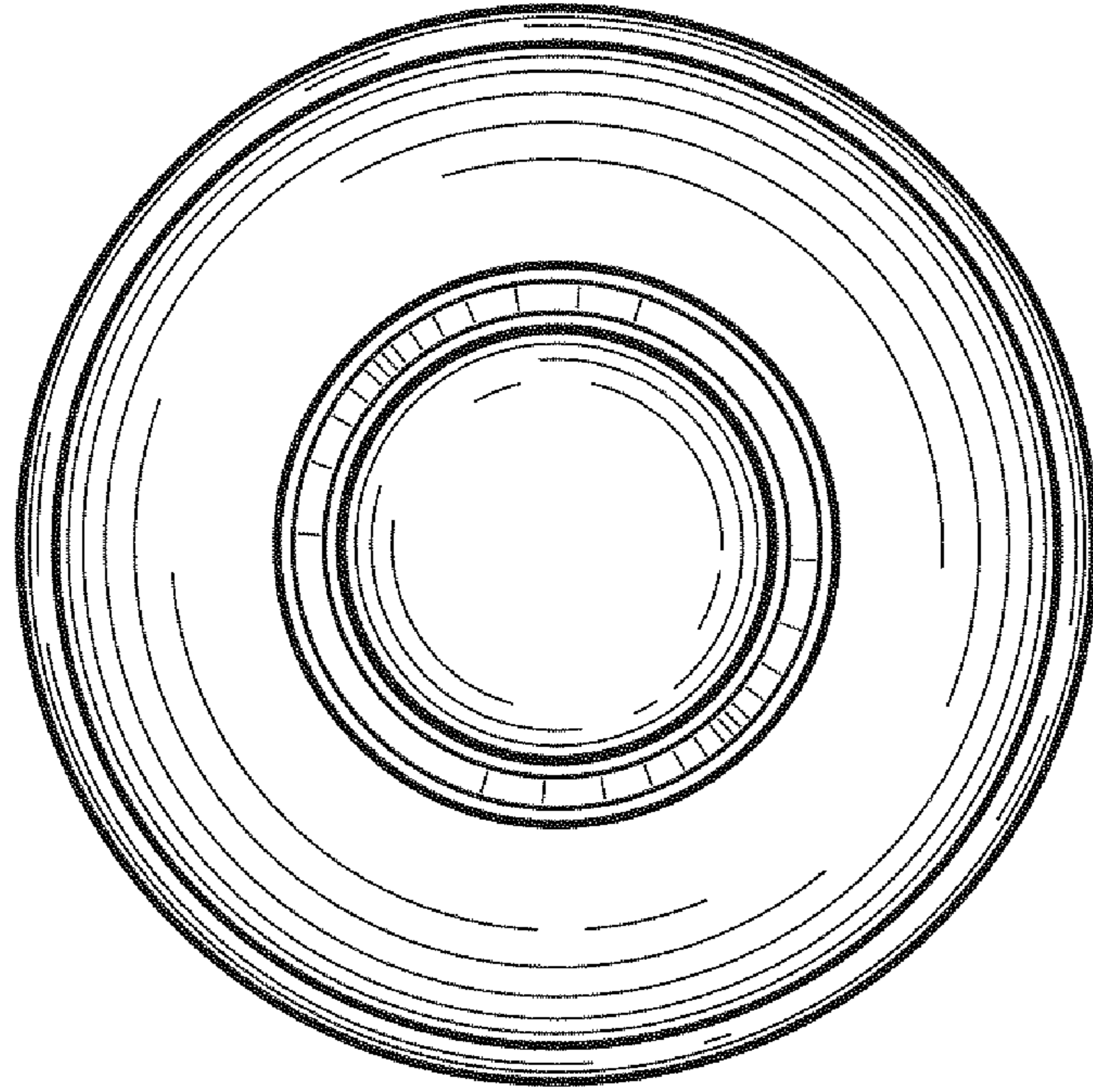




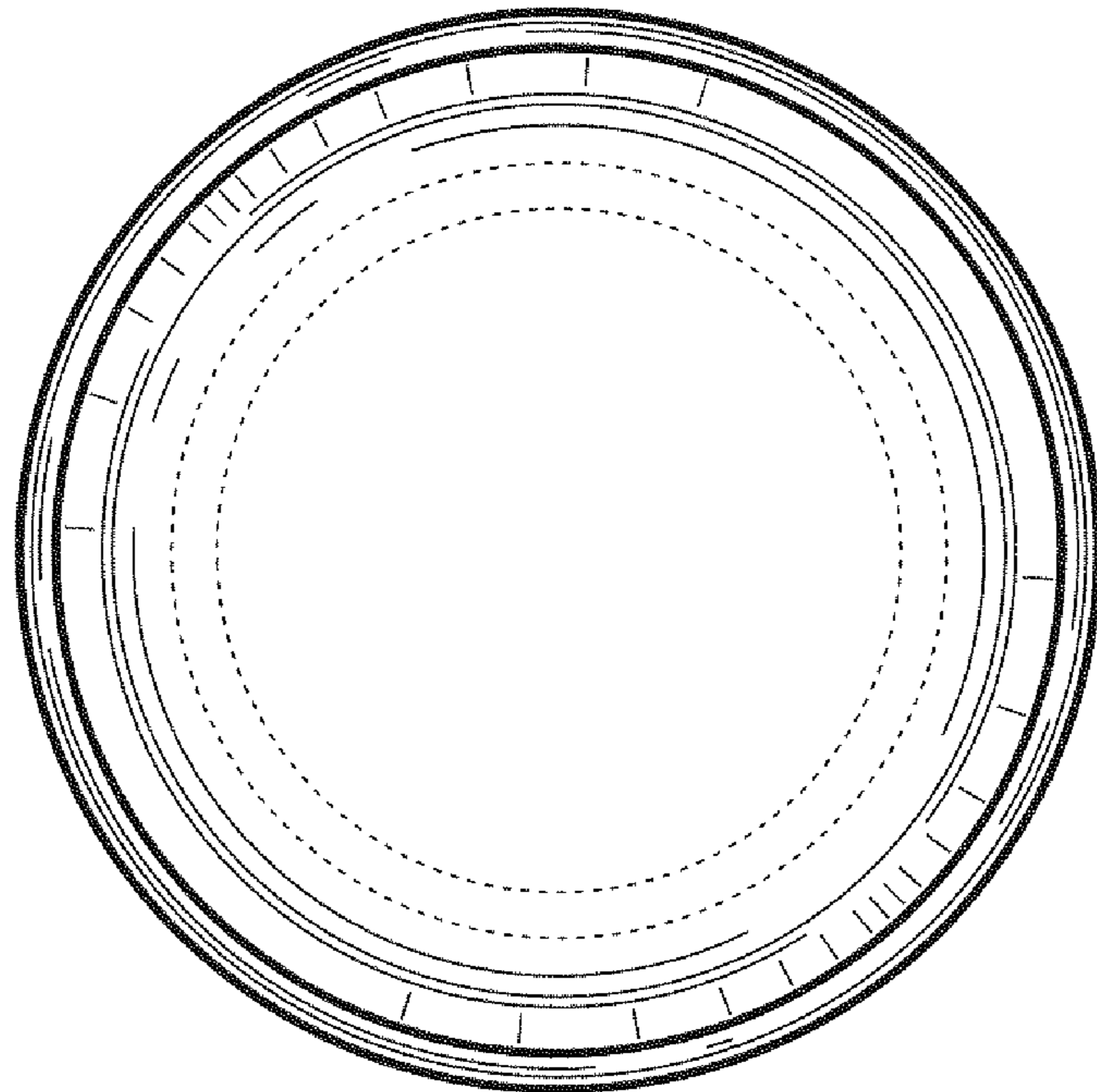
**FIG. 1**



**FIG. 2**



**FIG. 3**



**FIG. 4**