



US00D654747S

(12) **United States Design Patent**
Deveci

(10) **Patent No.:** **US D654,747 S**

(45) **Date of Patent:** **** Feb. 28, 2012**

(54) **ISOLATION PAD**

(75) Inventor: **Martin M. Deveci**, London (GB)

(73) Assignee: **Acrefine Engineering Services, Ltd.**
(GB)

(**) Term: **14 Years**

(21) Appl. No.: **29/386,091**

(22) Filed: **Feb. 24, 2011**

(51) **LOC (9) Cl.** **06-11**

(52) **U.S. Cl.** **D6/582**

(58) **Field of Classification Search** D6/582,
D6/583, 588, 591, 592, 594, 602, 608, 617,
D6/619; D5/5, 7, 20, 30, 37, 49, 56, 58,
D5/59, 60, 63, 64, 66, 99; D19/5; D24/124-126;
4/581; 5/490, 495; 15/208, 209.1, 215; 112/401,
112/402; 139/383 B, 383 R, 420 R; 162/108,
162/109, 134; 428/32, 39, 49, 66.5, 187,
428/542.2, 542.6; D25/148, 157

See application file for complete search history.

(56) **References Cited**

U.S. PATENT DOCUMENTS

2,028,740	A *	1/1936	Devine	428/55
D133,196	S *	7/1942	Galper	D5/53
2,362,596	A *	11/1944	Trattler	428/52
2,404,846	A *	7/1946	Kalisher	428/52
2,413,955	A *	1/1947	Cottrell	28/150

2,529,945	A *	11/1950	Hyman	428/156
2,878,933	A *	3/1959	Sager	206/322
D194,184	S *	12/1962	Clauss	D25/58
D196,832	S *	11/1963	Freeman	D6/585
3,243,932	A *	4/1966	Bussey, Jr.	52/591.2
3,271,895	A *	9/1966	Sorensen	446/104
4,638,616	A *	1/1987	Fredericks	52/204.591
4,687,694	A *	8/1987	Kuper et al.	428/156
5,265,364	A *	11/1993	Nelson et al.	40/616
6,332,941	B1 *	12/2001	Council et al.	156/230
D537,257	S *	2/2007	Yasuoka	D5/99
7,452,580	B1 *	11/2008	Weiner et al.	428/46
2008/0231978	A1 *	9/2008	Pierce	359/838
2010/0109189	A1 *	5/2010	Brouwers	264/239

FOREIGN PATENT DOCUMENTS

GB 4016559 9/2010

* cited by examiner

Primary Examiner — Karen S Acker

(74) *Attorney, Agent, or Firm* — Clark Hill PLC

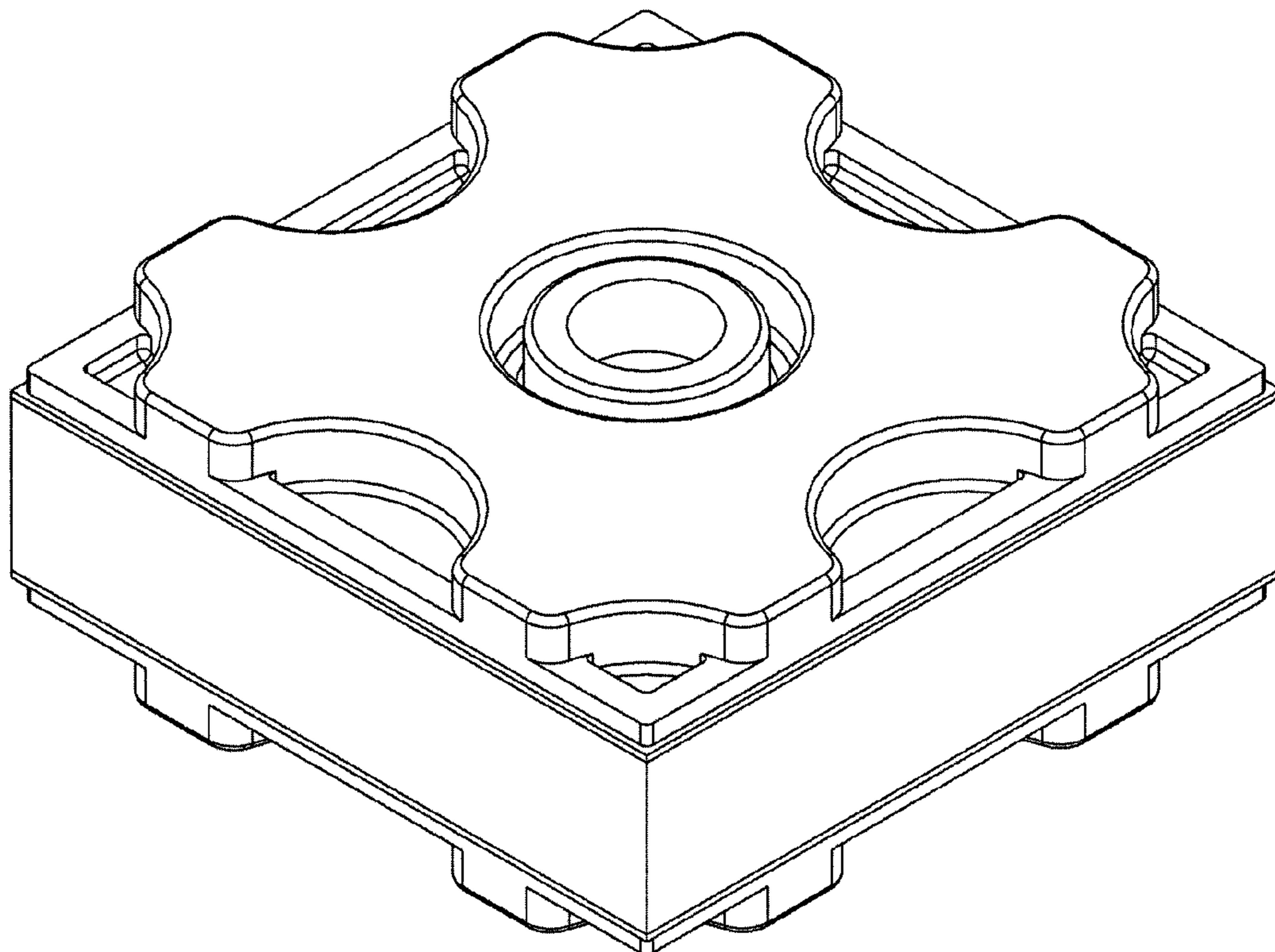
(57) **CLAIM**

The ornamental design for an isolation pad, as shown and described.

DESCRIPTION

FIG. 1 is a perspective view of the isolation pad;
FIG. 2 is a side view of the isolation pad shown in FIG. 1,
wherein the other three (3) sides are identical; and,
FIG. 3 is a top view of the isolation pad shown in FIG. 1,
wherein the bottom view is identical.

1 Claim, 2 Drawing Sheets



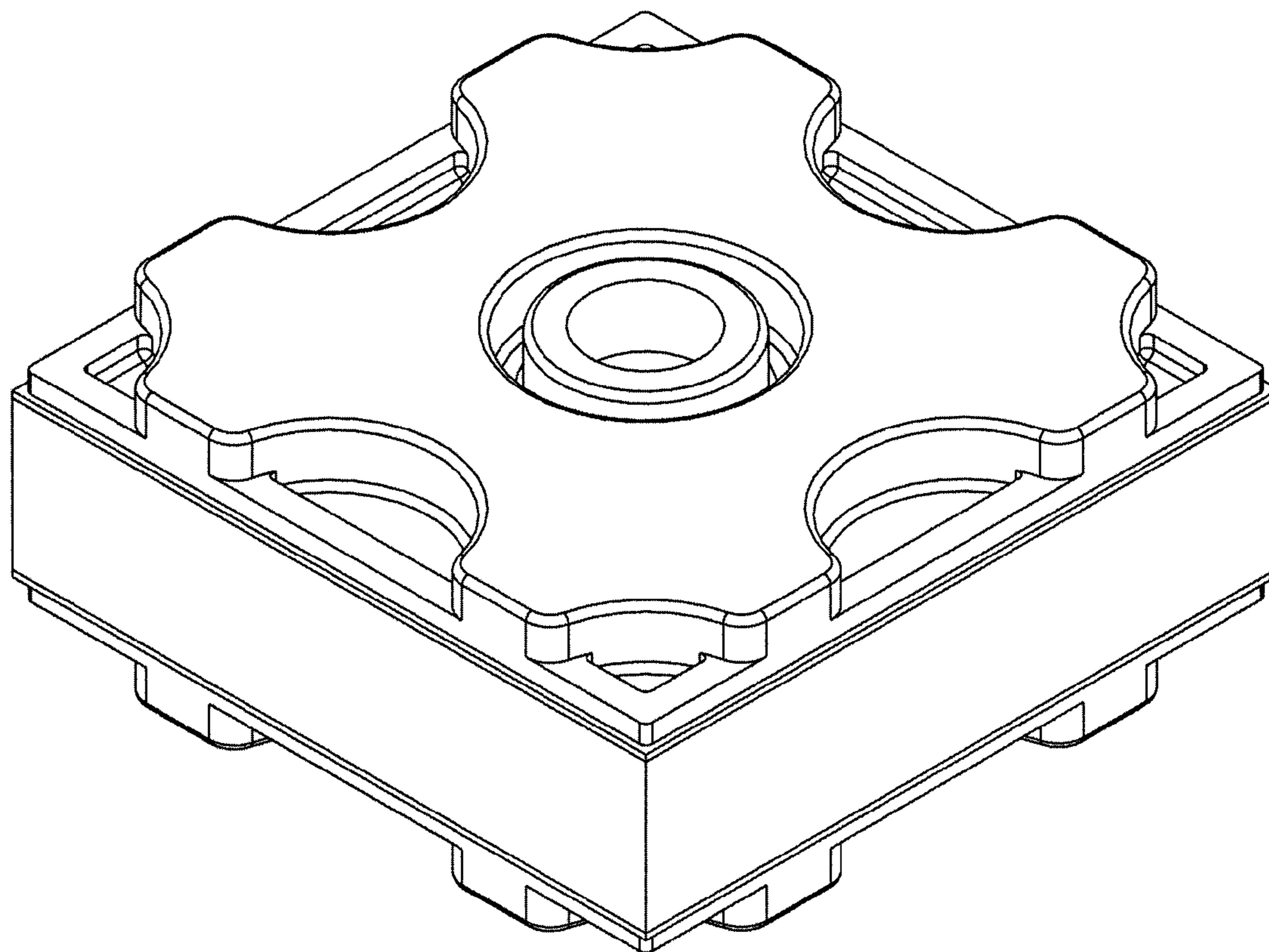


FIG. 1

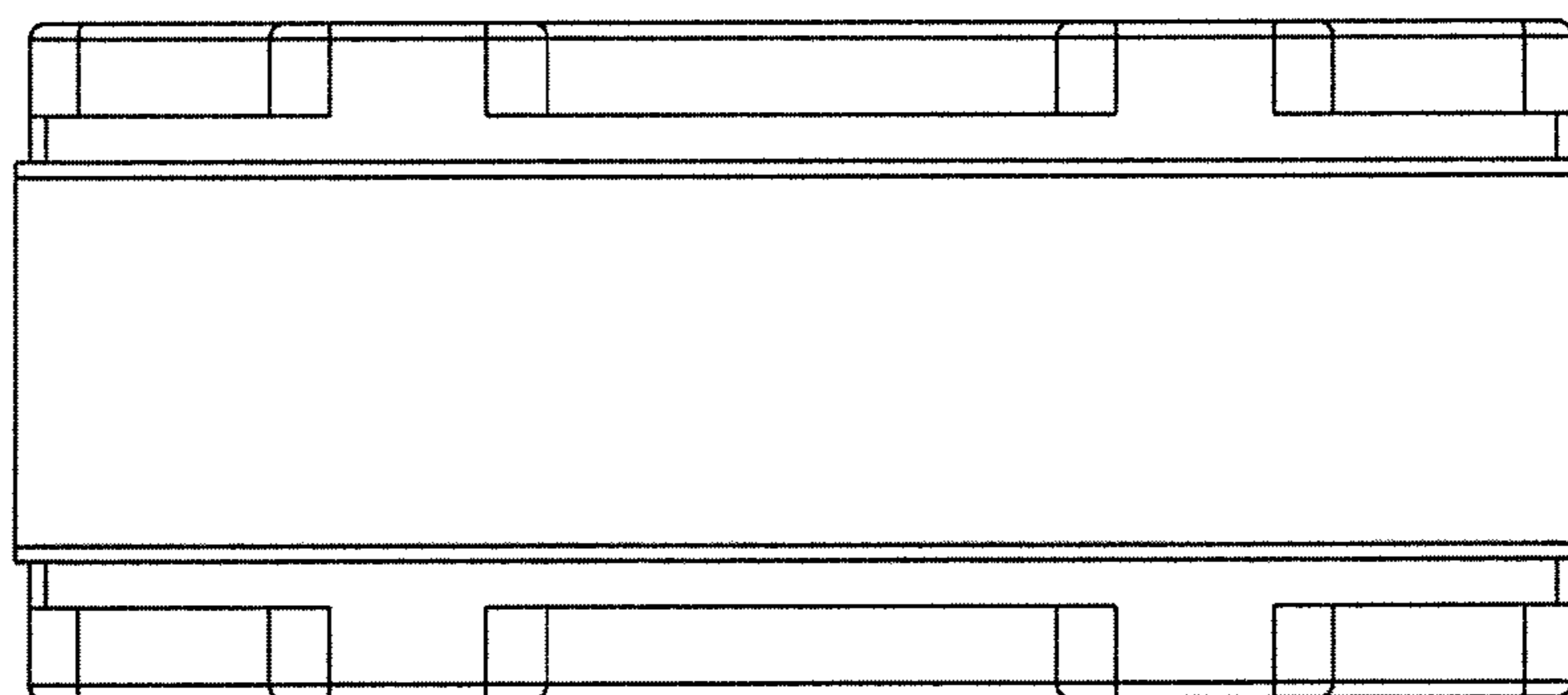


FIG. 2

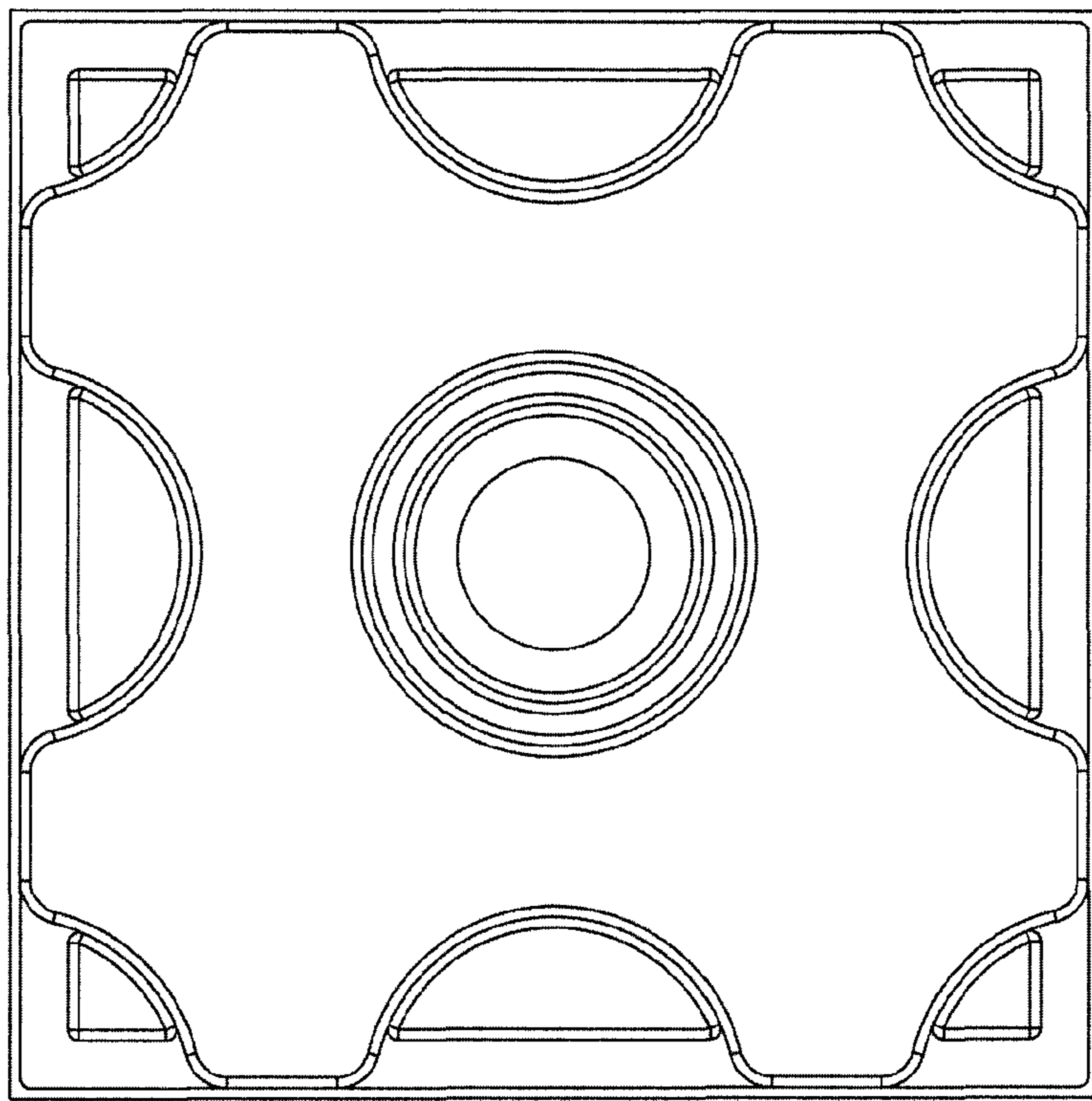


FIG. 3