



US00D654744S

(12) **United States Design Patent**
Kramer et al.

(10) **Patent No.:** **US D654,744 S**

(45) **Date of Patent:** **** Feb. 28, 2012**

(54) **DISPENSER TIP FOR A FOAM DISPENSER**

(75) Inventors: **Kenneth L. Kramer**, Tai Po Kau (HK);
Chao Yuan Li, Shenzhen (CN); **Ji Sung Woo**, Sha Tin (HK); **Ng Shu Leung**,
Yuen Long (HK); **James J. Aubuchon**,
St. Louis, MO (US); **Eric Halstead**,
Quebec (CA); **David P. Hozeska**,
Ferguson, MO (US)

(73) Assignee: **American Sterilizer Company**, Mentor,
OH (US)

(**) Term: **14 Years**

(21) Appl. No.: **29/385,647**

(22) Filed: **Feb. 17, 2011**

(51) **LOC (9) Cl.** **23-02**

(52) **U.S. Cl.** **D6/545**

(58) **Field of Classification Search** D6/542-545;
D9/723, 435, 448, 682; 220/377; 221/280,
221/282, 283; 222/556, 557, 402.13, 281,
222/181.2, 181.3

See application file for complete search history.

(56) **References Cited**

U.S. PATENT DOCUMENTS

D293,402 S 12/1987 Petterson D6/545
D416,418 S 11/1999 Kampe et al. D6/545

D443,782 S 6/2001 Kauzlarich et al. D6/545
D548,075 S * 8/2007 Mavin et al. D9/435
D563,133 S 3/2008 Kramer D6/545
D583,669 S * 12/2008 Seum et al. D9/448
D611,747 S 3/2010 Kramer et al. D6/545
D628,898 S * 12/2010 Barnett et al. D9/682

OTHER PUBLICATIONS

U.S. Appl. No. 29/354,306, filed Jan. 22, 2010, Kramer et al.,
entitled: "Foam Dispenser."

* cited by examiner

Primary Examiner — Brian N Vinson

(74) *Attorney, Agent, or Firm* — Kusner & Jaffe; Michael A.
Centanni

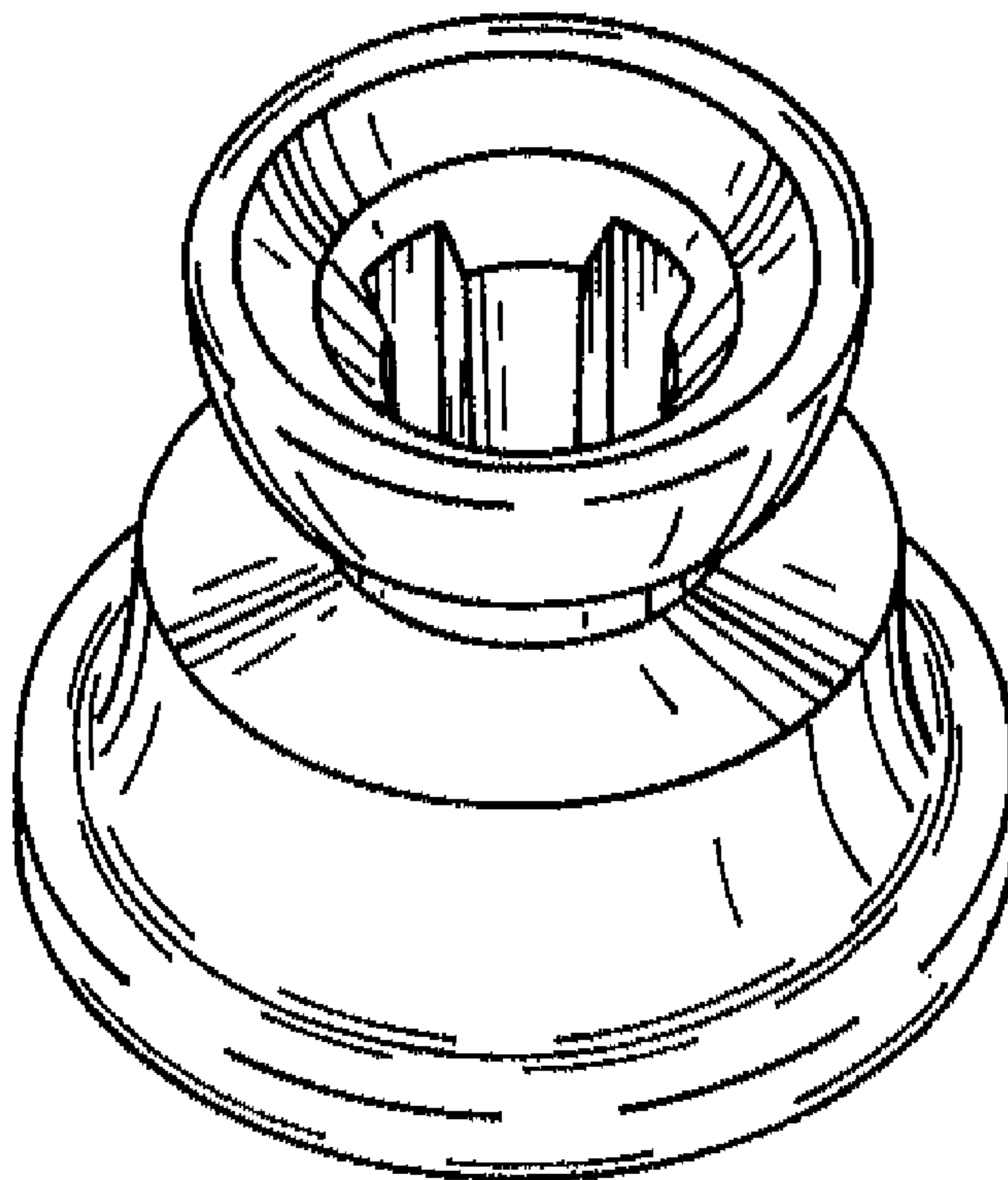
(57) **CLAIM**

The ornamental design for a dispenser tip for a foam dis-
penser, as shown and described.

DESCRIPTION

FIG. 1 is a top perspective view of a dispenser tip for a foam
dispenser showing our new design;
FIG. 2 is a bottom perspective view thereof;
FIG. 3 is a side elevational view thereof, the foam dispenser
being shown in broken lines for illustrative purposes only and
forming no part of the claimed design;
FIG. 4 is a top plan view thereof; and,
FIG. 5 is a bottom plan view thereof.

1 Claim, 2 Drawing Sheets



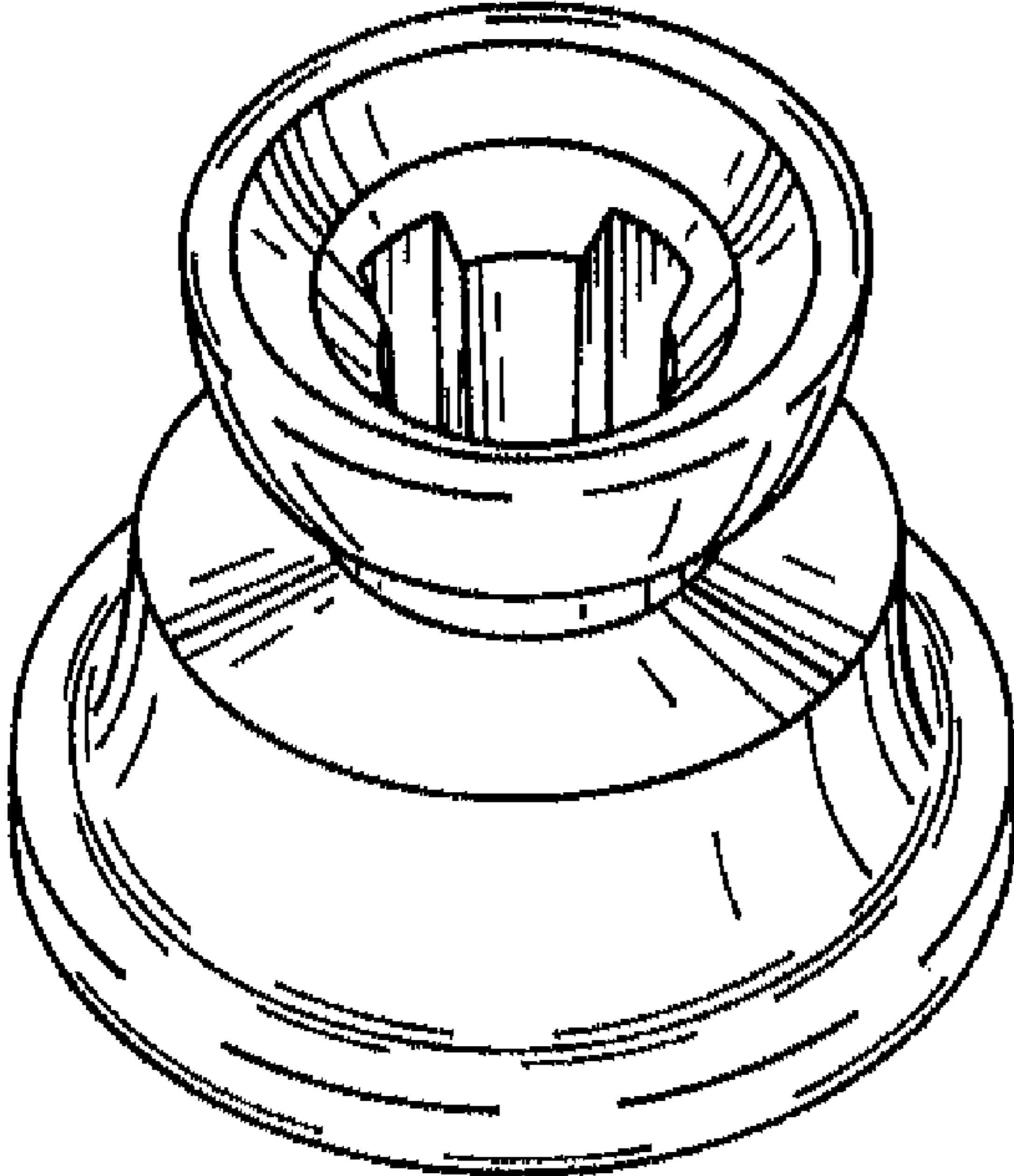


FIG. 1

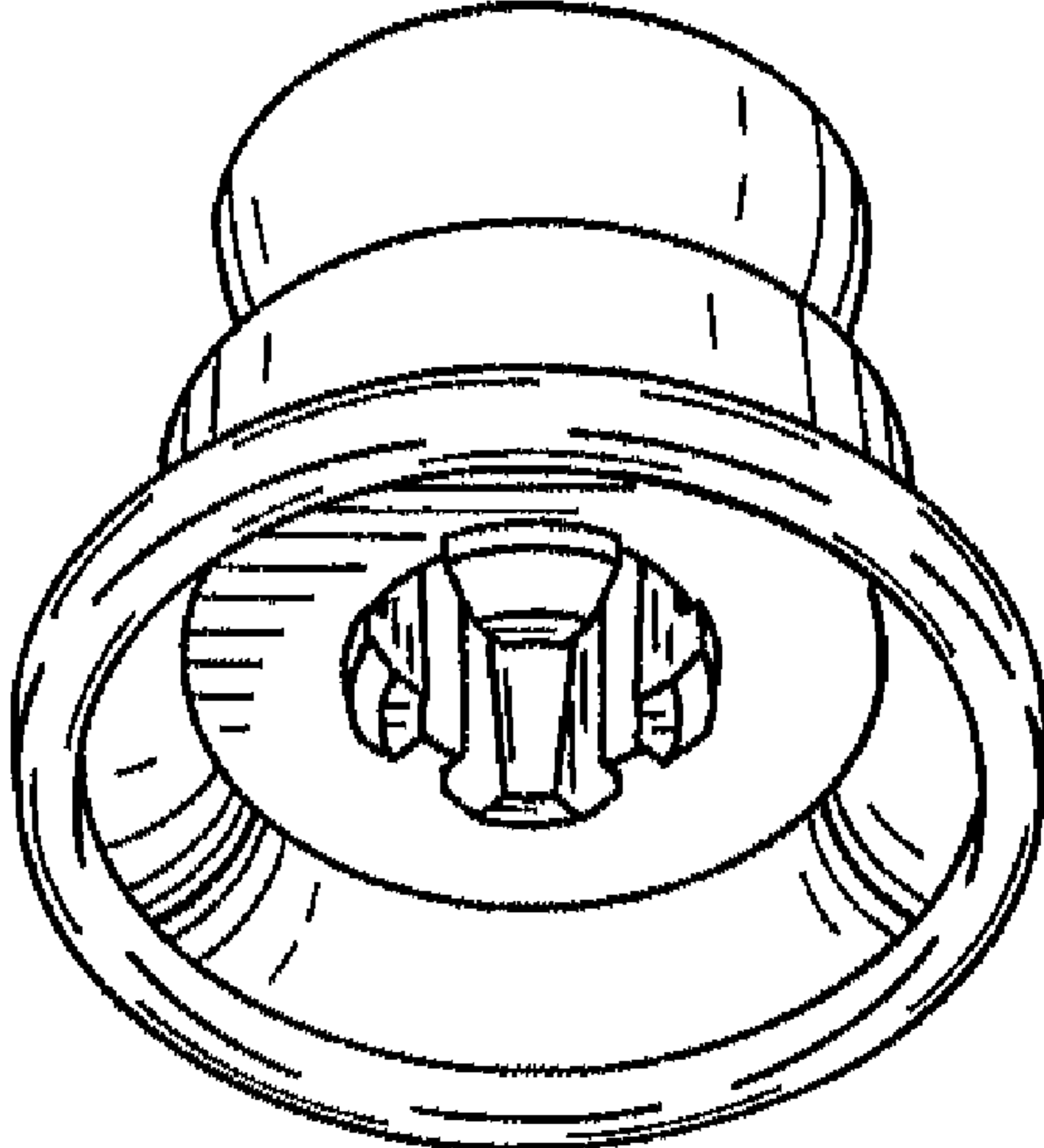


FIG. 2

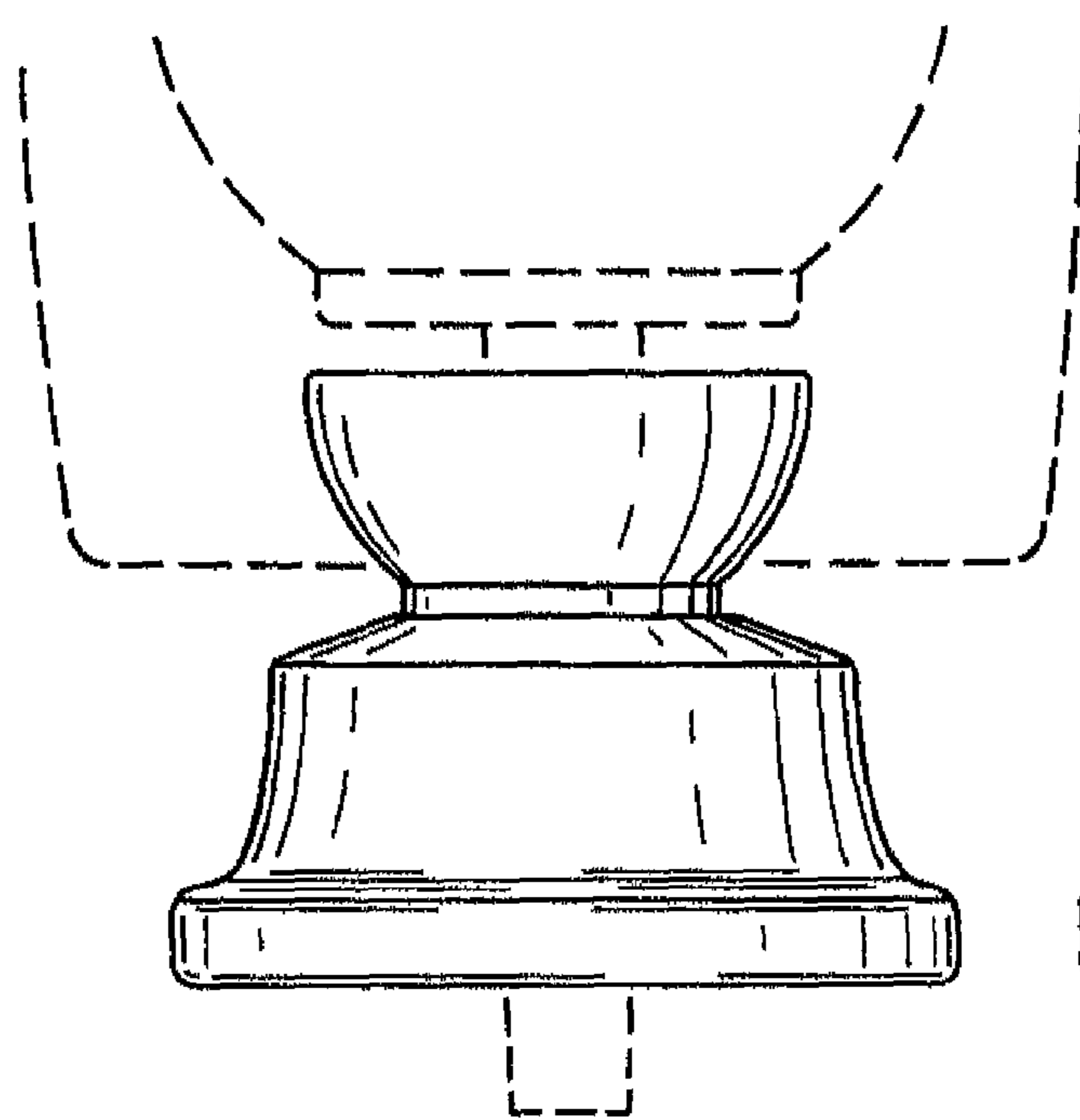


FIG. 3

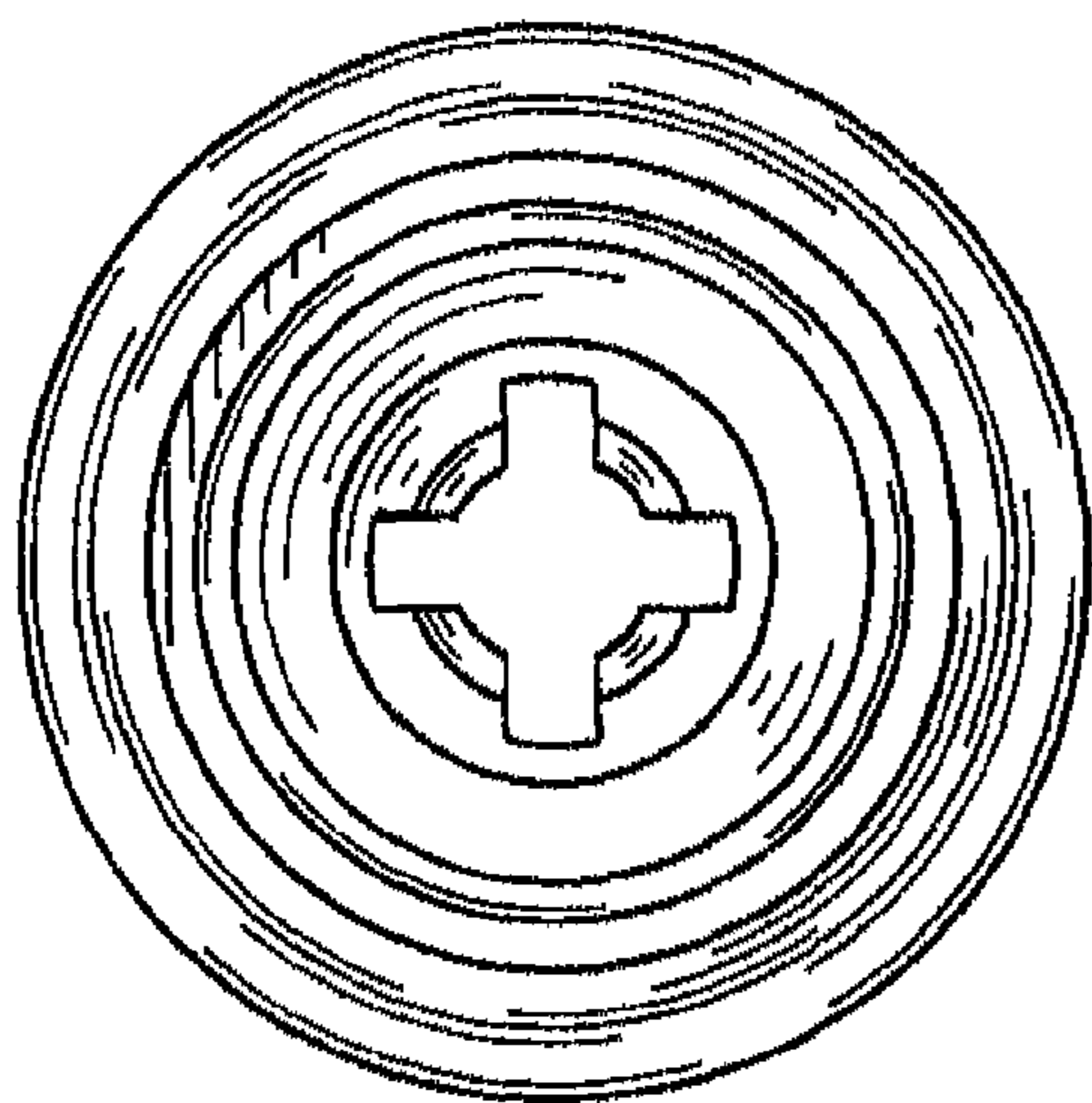


FIG. 4

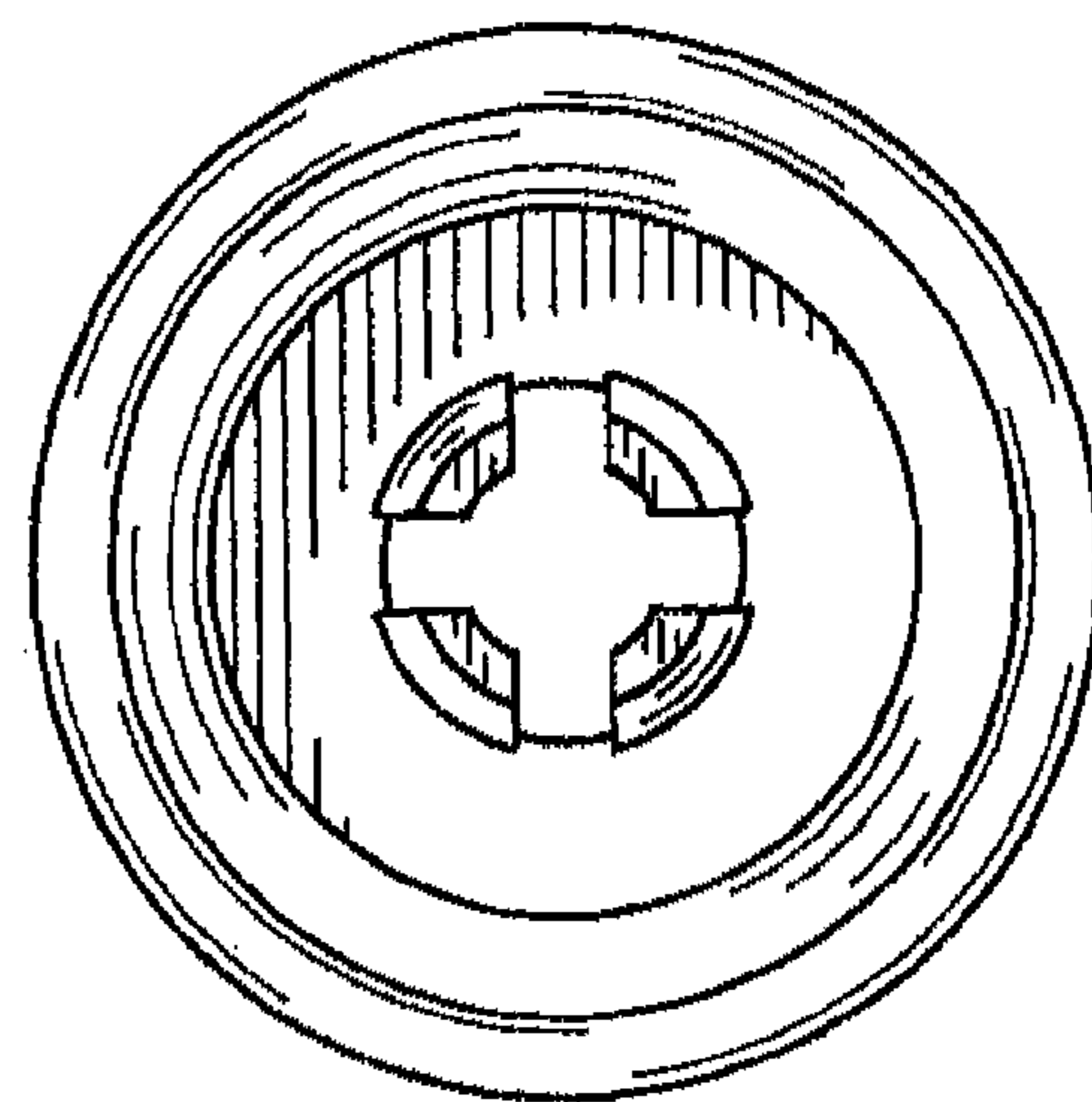


FIG. 5