



US00D654743S

(12) **United States Design Patent**
Rospierski

(10) **Patent No.:** **US D654,743 S**

(45) **Date of Patent:** **** Feb. 28, 2012**

(54) **ACTUATOR FOR FLUID DISPENSER**

(75) Inventor: **Jeffrey Rospierski**, Alden, NY (US)

(73) Assignee: **UltraClenz, LLC**, Jupiter, FL (US)

(**) Term: **14 Years**

(21) Appl. No.: **29/379,378**

(22) Filed: **Nov. 18, 2010**

(51) **LOC (9) Cl.** **23-02**

(52) **U.S. Cl.** **D6/542**

(58) **Field of Classification Search** D6/542-545;
221/282; D9/682, 688, 690, 448, 449; 222/14,
222/173, 146.3, 628, 251, 181.1, 181.3
See application file for complete search history.

(56) **References Cited**

U.S. PATENT DOCUMENTS

D530,554 S * 10/2006 Yang et al. D6/542
D530,955 S * 10/2006 Yang et al. D6/542

D554,412 S * 11/2007 Yang et al. D6/542
* cited by examiner

Primary Examiner — Brian N Vinson

(74) *Attorney, Agent, or Firm* — Lucas & Mercanti, LLP;
Peter J. Phillips

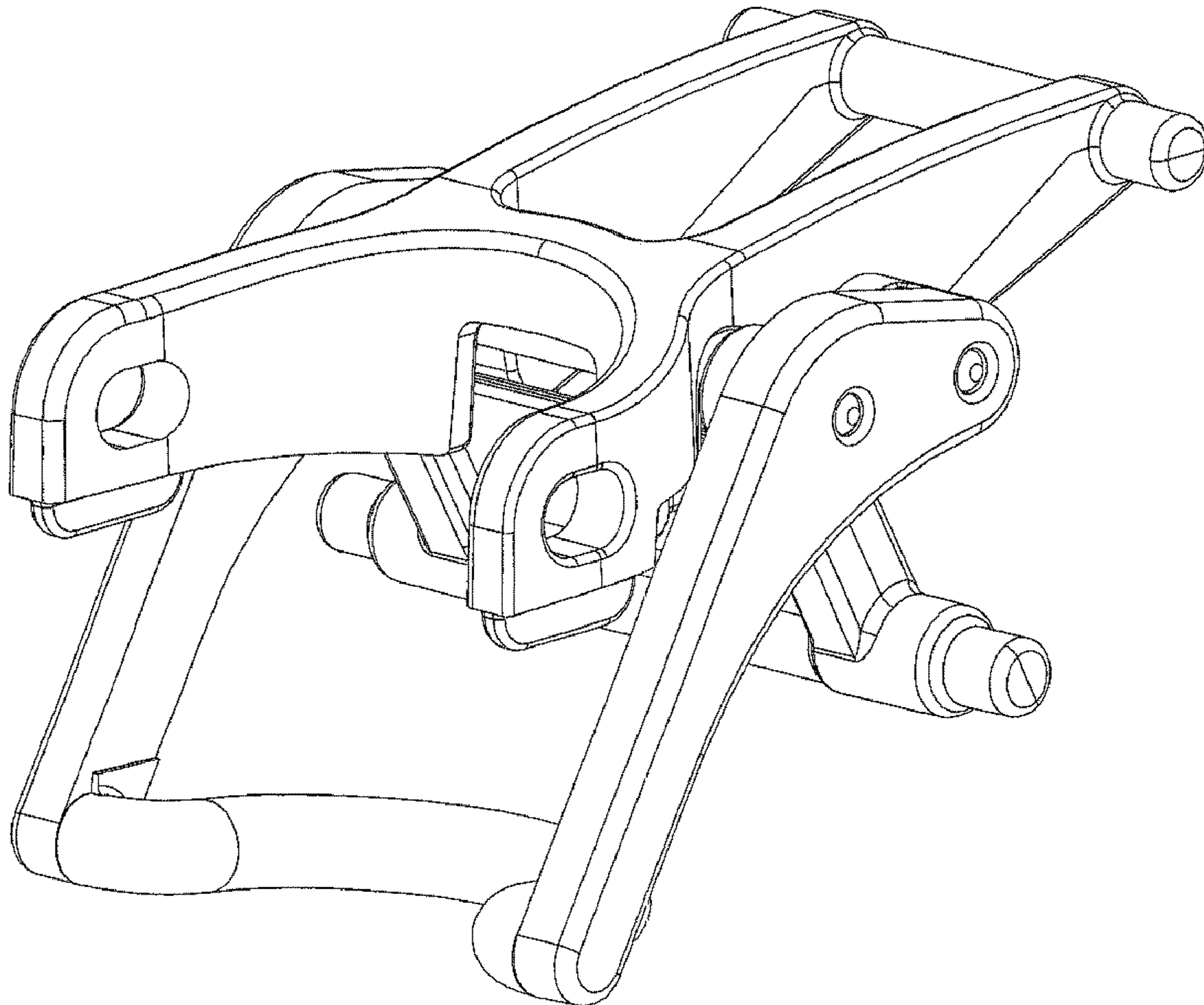
(57) **CLAIM**

The ornamental design for an actuator for a fluid dispenser, as shown and described.

DESCRIPTION

FIG. 1 is a perspective view of an actuator for a fluid dispenser according to the invention;
FIG. 2 is a front view thereof;
FIG. 3 is a top view thereof;
FIG. 4 is a bottom view thereof;
FIG. 5 is a left-side view thereof; and,
FIG. 6 is a right-side view thereof.

1 Claim, 6 Drawing Sheets



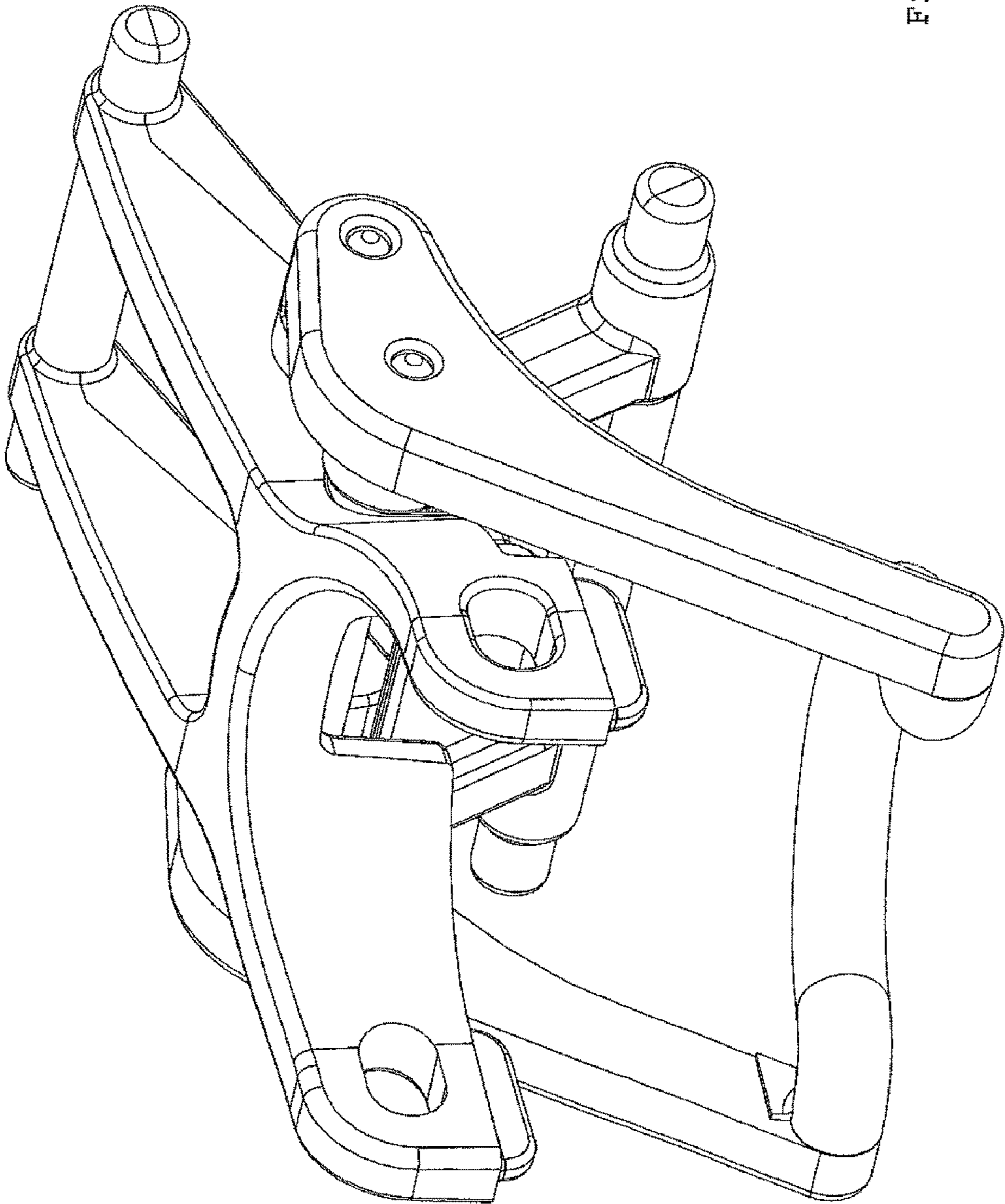


Fig. 1

Fig. 2

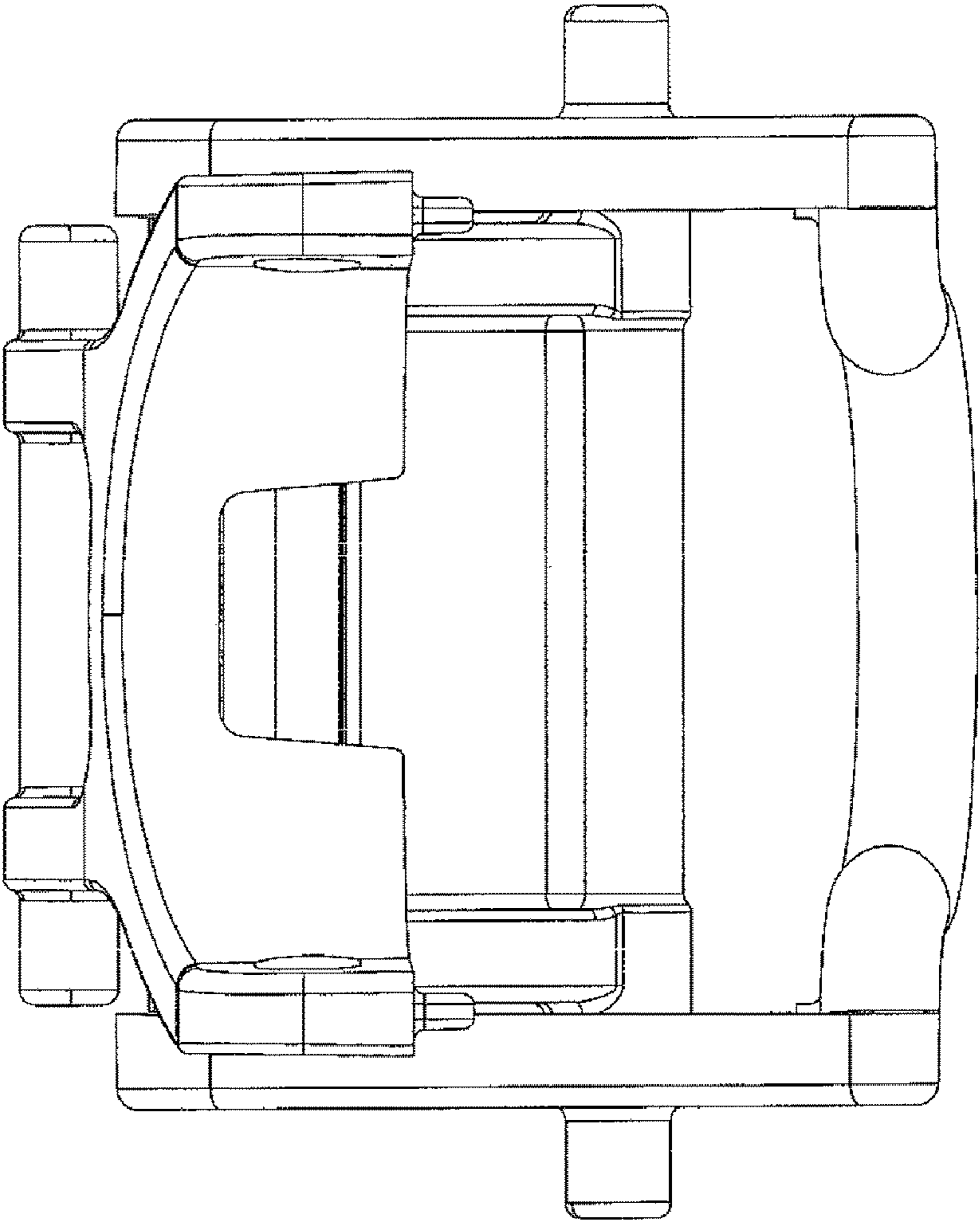


Fig. 3

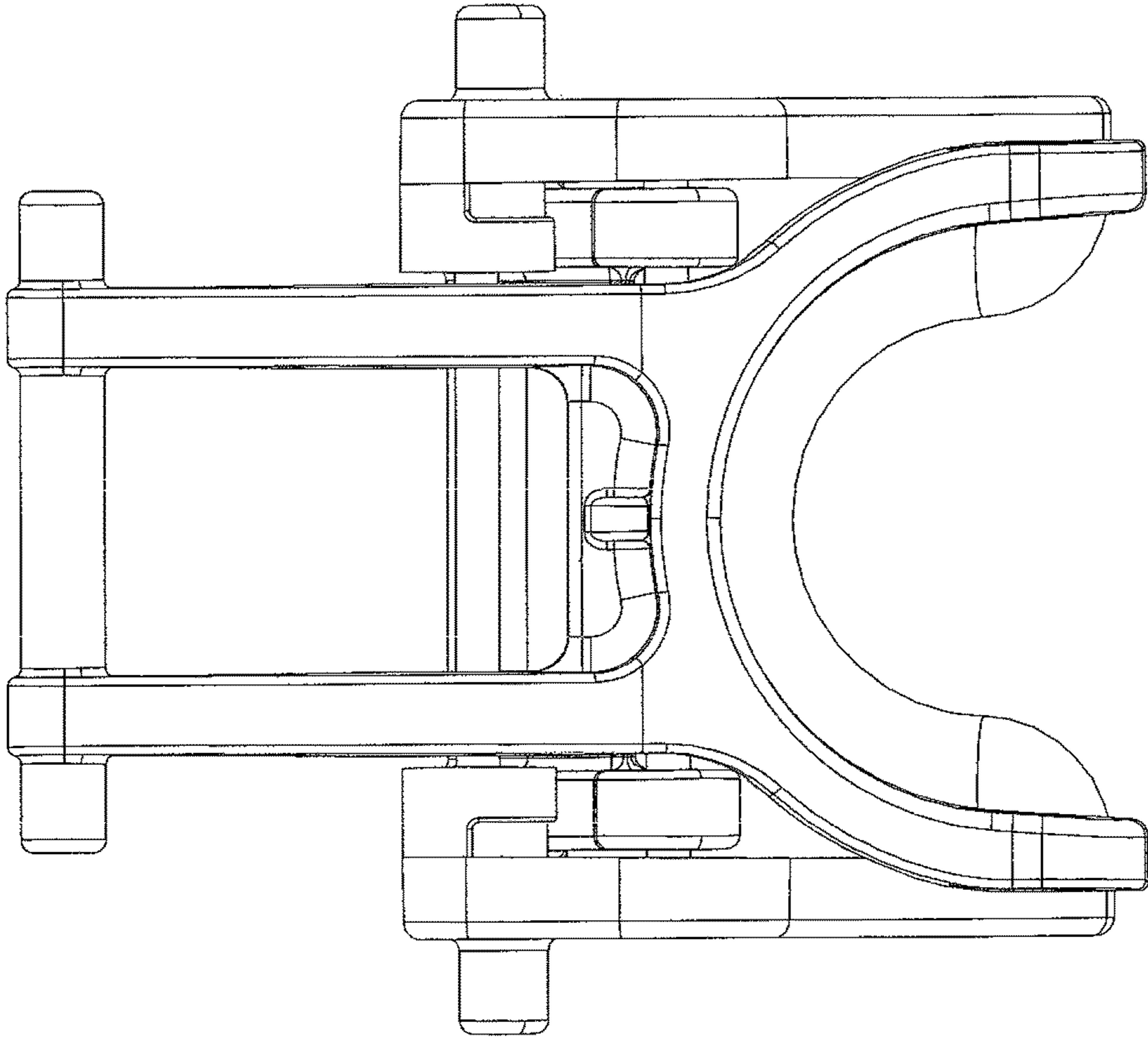


Fig. 4

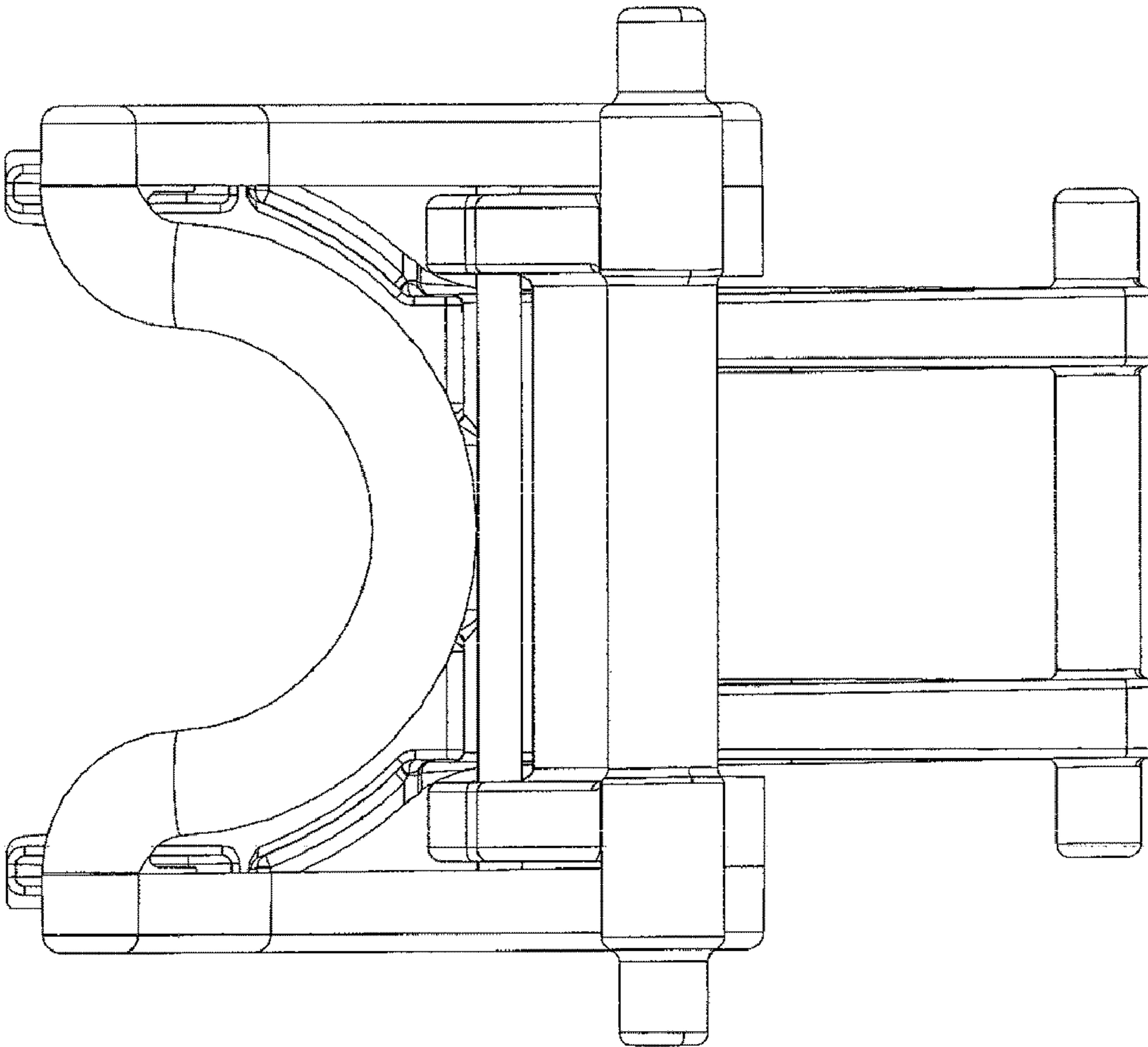


Fig. 5

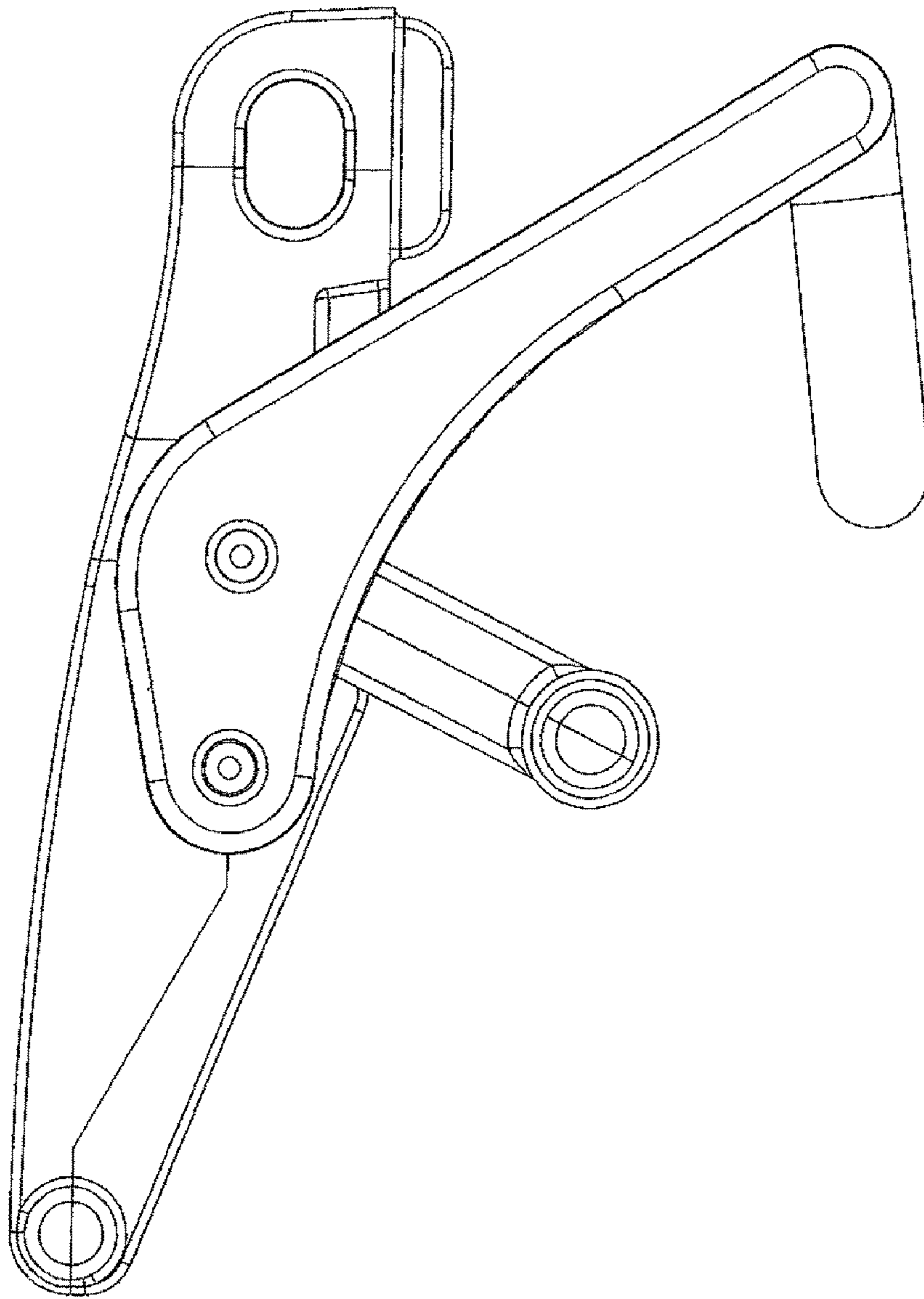


Fig. 6

